



US00D972149S

(12) **United States Design Patent** (10) **Patent No.:** **US D972,149 S**  
**Chong** (45) **Date of Patent:** **\*\* Dec. 6, 2022**

(54) **MESSAGE PAD**  
(71) Applicant: **On Chong**, Sunnyvale, CA (US)  
(72) Inventor: **On Chong**, Sunnyvale, CA (US)  
(\*\*) Term: **15 Years**  
(21) Appl. No.: **29/761,058**  
(22) Filed: **Dec. 7, 2020**  
(51) **LOC (13) Cl.** ..... **24-02**  
(52) **U.S. Cl.**  
USPC ..... **D24/184**  
(58) **Field of Classification Search**  
USPC ..... D24/183, 184, 190-192; D6/595-604;  
D21/803-809  
CPC ..... A61F 13/066; A61F 2/6607; A61F 5/37;  
A47G 9/10; A47G 9/00; A47G 2009/001;  
A47G 2009/002; A47G 2009/003; A47G  
2009/005; A47G 2009/006; A47G 9/02;  
A47G 9/0207; A47G 9/0215; A47G  
2009/0276; A47G 9/0284; A47G 9/0292;  
A47C 20/021; A47C 20/023; A47C  
16/00; A47C 20/026; A61G 99/00  
See application file for complete search history.

(56) **References Cited**

**U.S. PATENT DOCUMENTS**

2,779,033 A \* 1/1957 Fountain ..... A47G 9/0253  
5/490  
D308,613 S \* 6/1990 Clark ..... D6/601  
D386,348 S \* 11/1997 Weidman ..... D6/601  
D435,910 S \* 1/2001 Davis ..... D24/189  
D445,505 S \* 7/2001 Shapiro ..... D24/183  
D482,923 S \* 12/2003 Gaines ..... D6/601  
D496,105 S \* 9/2004 Walters ..... D24/183  
D707,358 S \* 6/2014 Mantilla ..... D6/601  
D728,799 S \* 5/2015 Ravikumar ..... D24/184  
D784,602 S \* 4/2017 Sommarstrom ..... D27/100  
D865,181 S \* 10/2019 Chong ..... D24/184

D889,884 S \* 7/2020 Ouyang ..... D6/601  
D930,402 S \* 9/2021 Ma ..... D6/601  
D941,059 S \* 1/2022 Xiaoping ..... D6/601  
2012/0255126 A1 \* 10/2012 Abdo ..... A47C 20/02  
5/636

**OTHER PUBLICATIONS**

Gift Boxes in Your Favourite Colours. Online, published date unknown. Retrieved on Feb. 6, 2022 from URL: [https://buntbox.com/epages/ncs249630552317.sf/en\\_GB/?ObjectPath=/Shops/49630552317/Categories.\\*](https://buntbox.com/epages/ncs249630552317.sf/en_GB/?ObjectPath=/Shops/49630552317/Categories.*)

\* cited by examiner

*Primary Examiner* — Omeed Agilee  
(74) *Attorney, Agent, or Firm* — The Drew Kim Law Firm PLLC

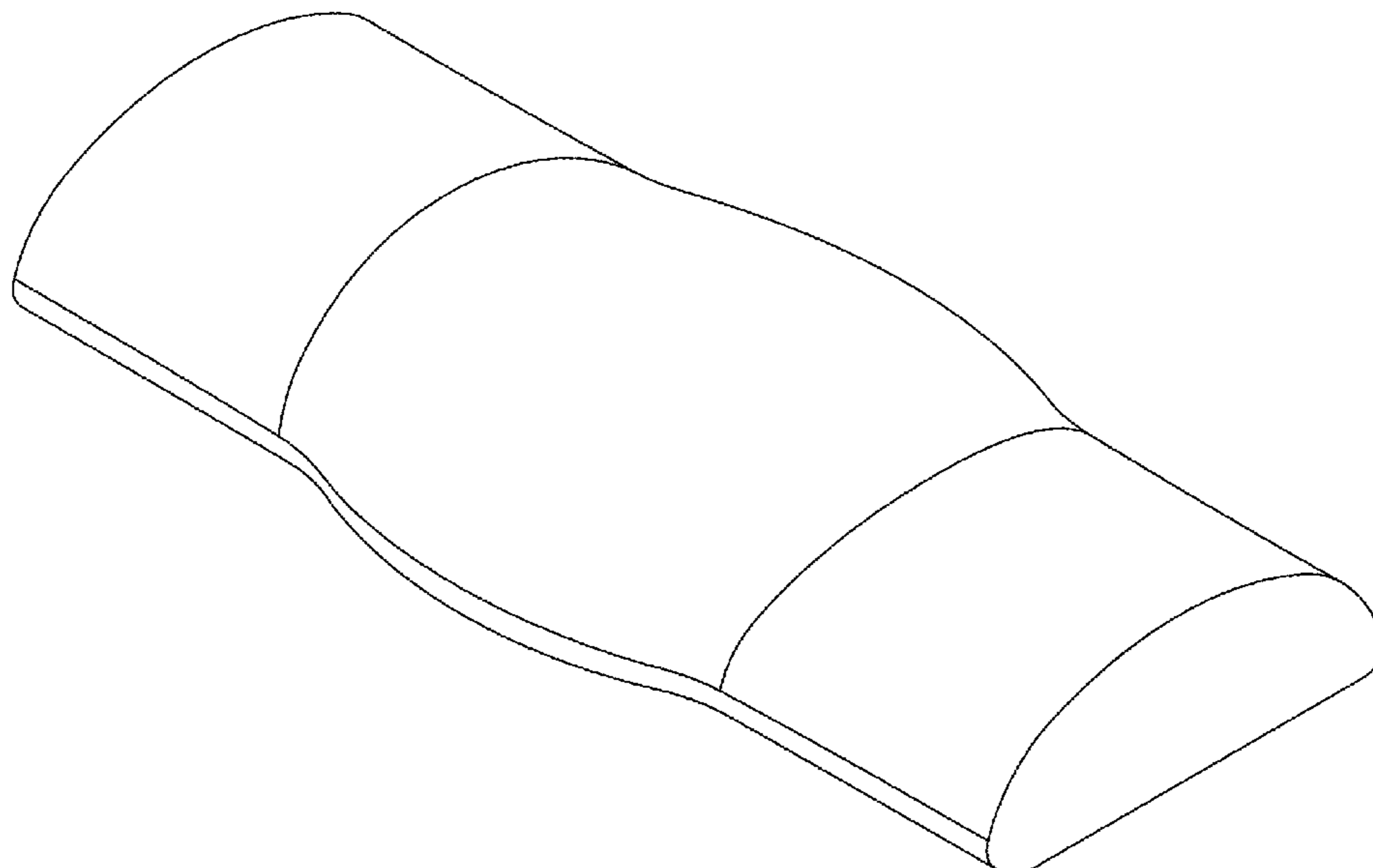
(57) **CLAIM**

The ornamental design for a massage pad, as shown and described.

**DESCRIPTION**

FIG. 1 is a perspective view of a massage pad showing my new design.  
FIG. 2 is a front view of an embodiment thereof.  
FIG. 3 is a side view of an embodiment thereof.  
FIG. 4 is an end view of an embodiment thereof.  
FIG. 5 is a rear view thereof; and,  
FIG. 6 is another perspective view of the massage pad shown in FIG. 1 in an environment as part of an inversion therapy table.  
The dashed lines shown in the drawing are for illustrative purposes only and form no part of the claimed design. The solid-dash lines represent surface shading.

**1 Claim, 4 Drawing Sheets**



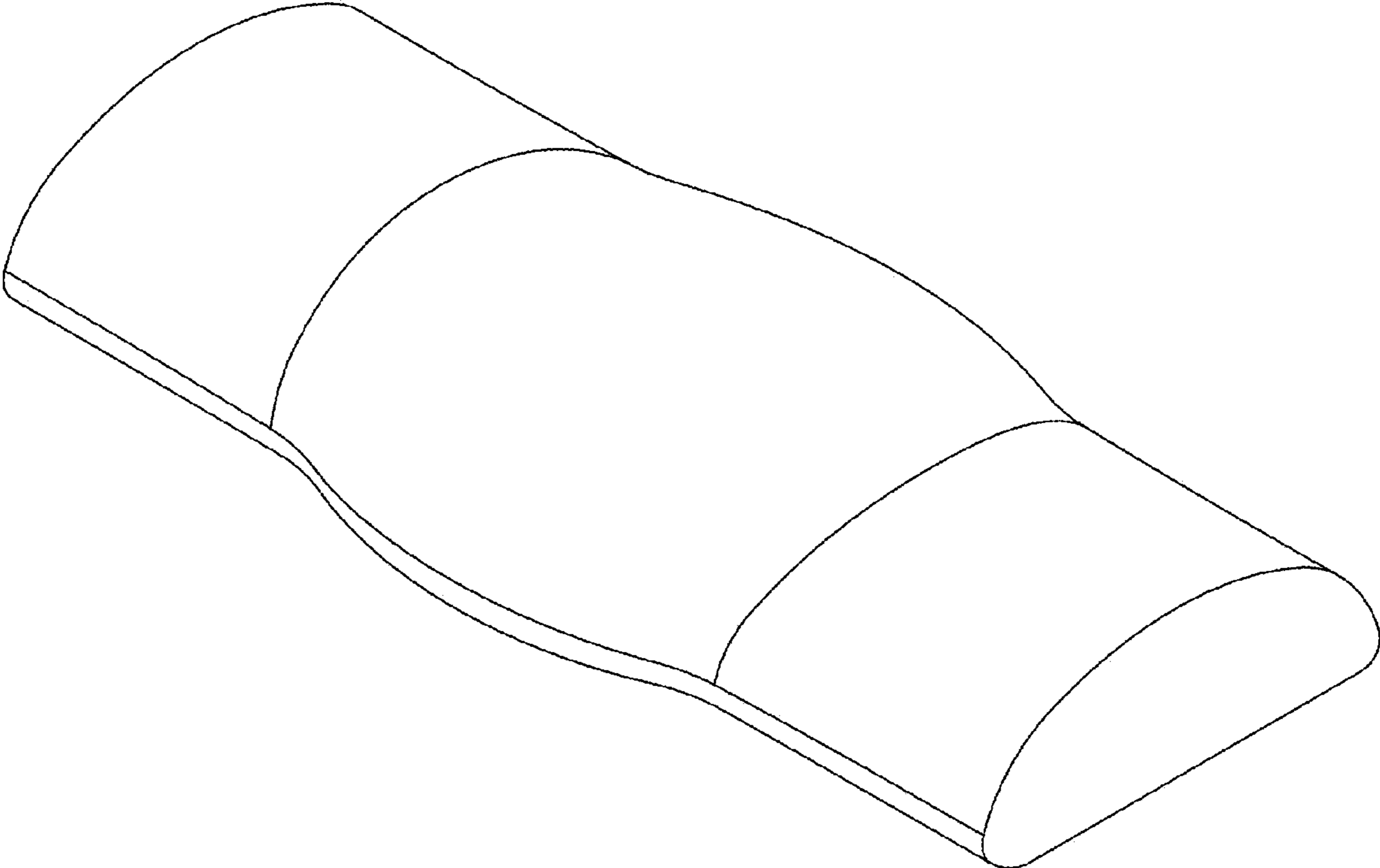


FIG. 1

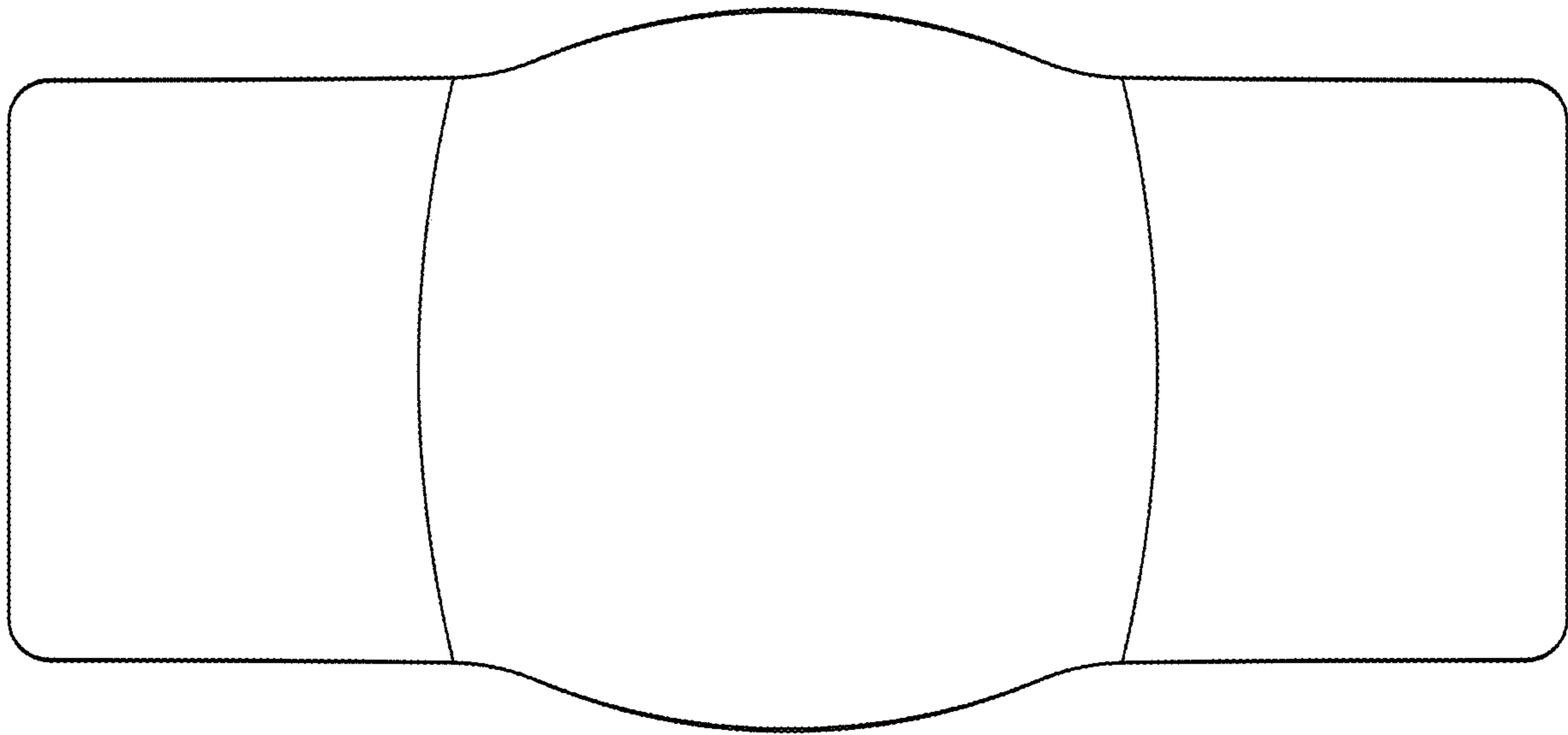


FIG. 2

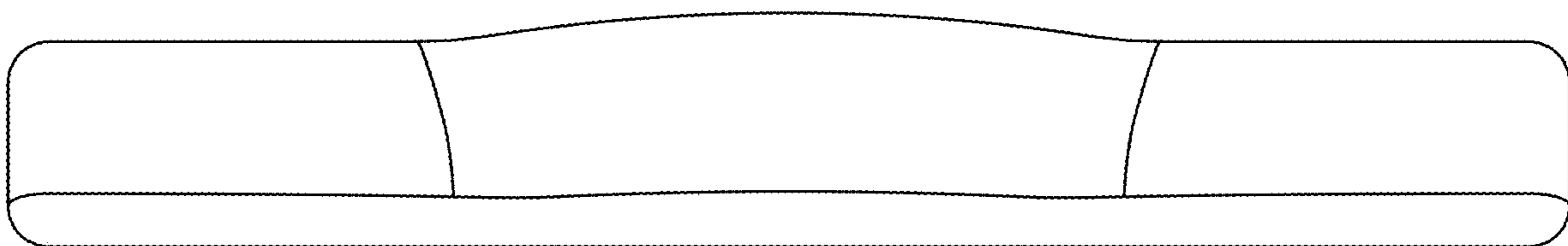


FIG. 3

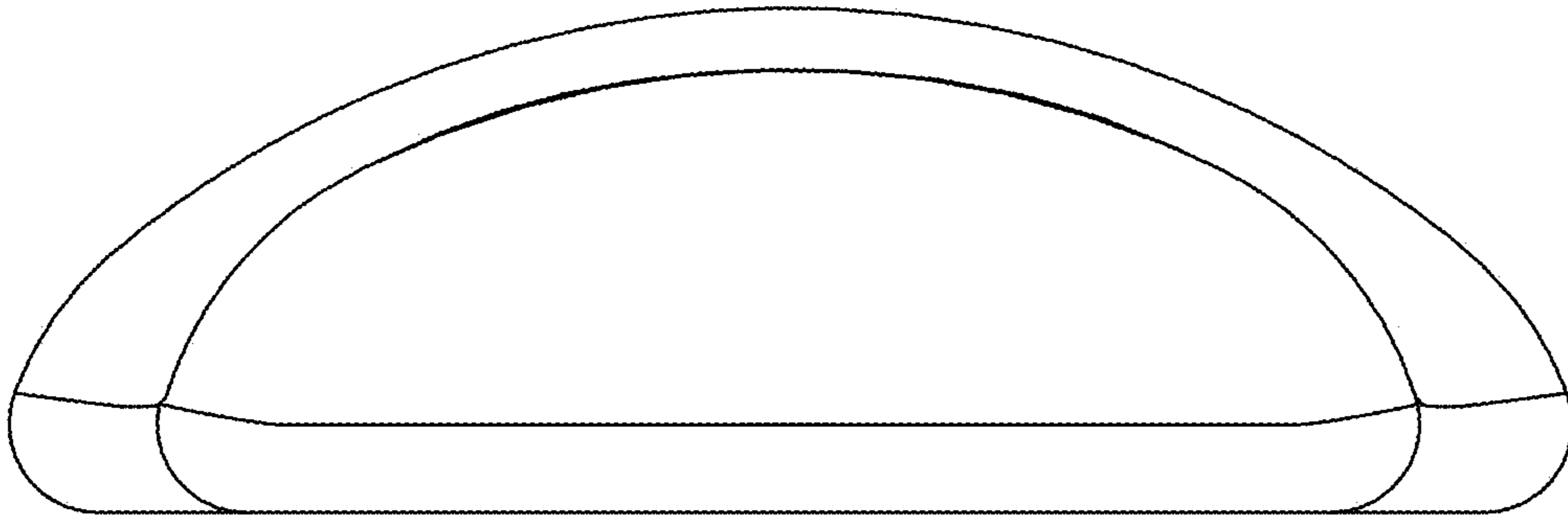


FIG. 4

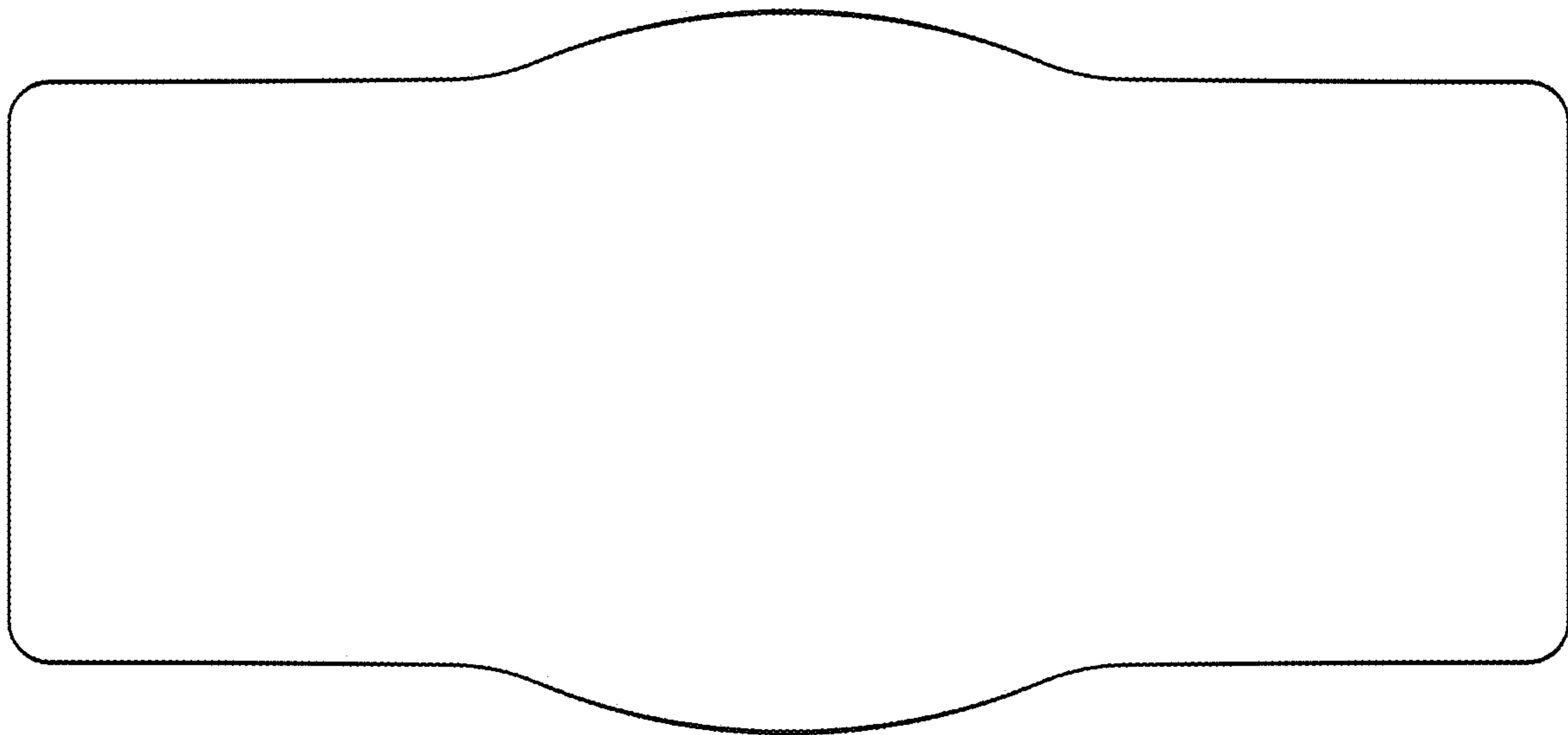


FIG. 5

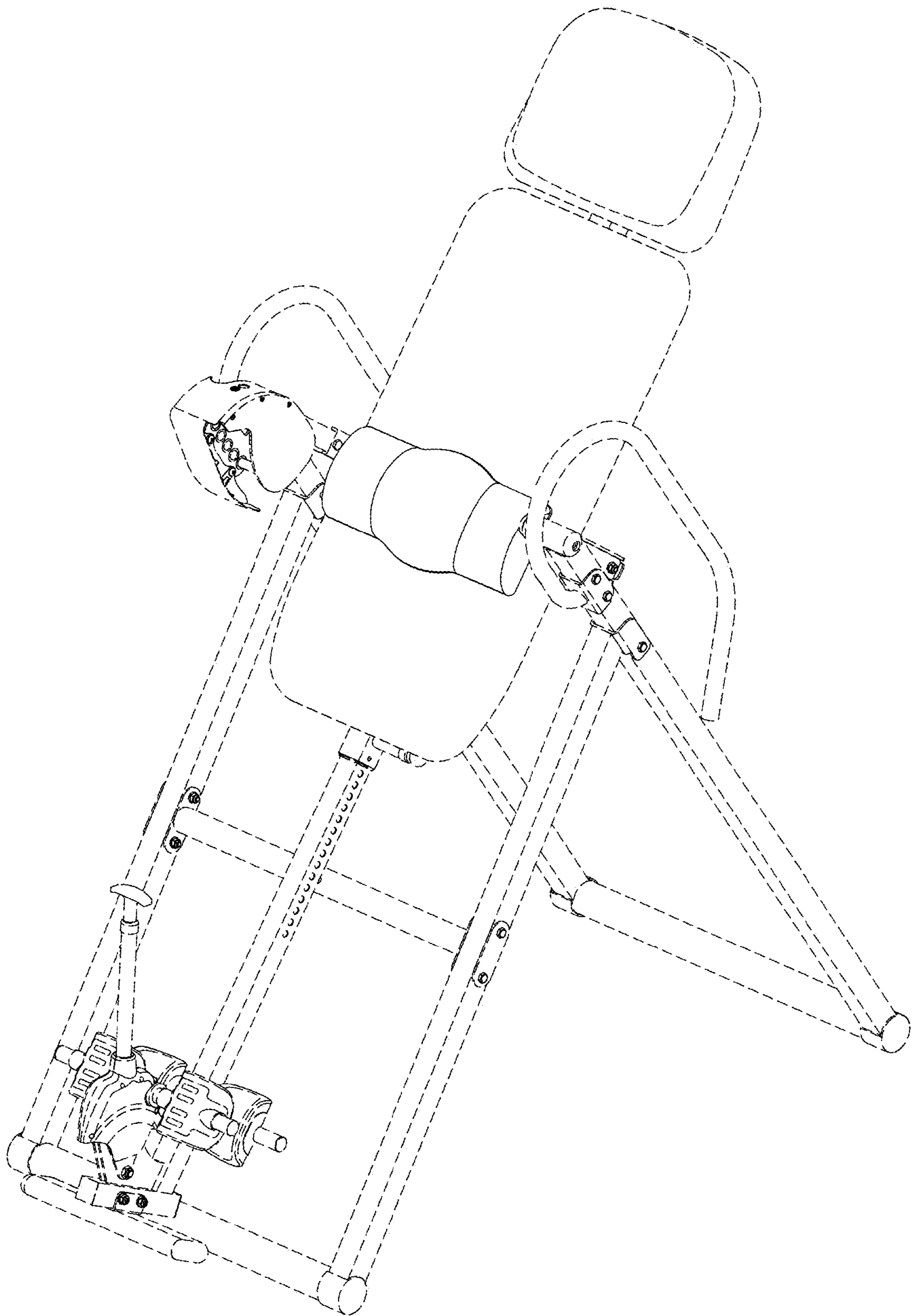


FIG. 6