



US00D972147S

(12) **United States Design Patent**
Qin et al.

(10) **Patent No.:** **US D972,147 S**
(45) **Date of Patent:** **** Dec. 6, 2022**

(54) **RECHARGEABLE LAMP FOR ORAL CAVITY**

(71) Applicant: **Jiangxi Dent Oral Products Co., Ltd.**,
Jiujiang (CN)

(72) Inventors: **Junyuan Qin**, Nanchang (CN); **Yuanda Xiong**, Jiangxi (CN)

(**) Term: **15 Years**

(21) Appl. No.: **29/785,814**

(22) Filed: **May 27, 2021**

(51) **LOC (13) Cl.** **24-02**

(52) **U.S. Cl.**
USPC **D24/176**

(58) **Field of Classification Search**
USPC D24/176-178, 180-181, 210; D29/108;
D26/38, 51
CPC A61C 19/003; A61C 19/06; A61C 19/063;
A61C 19/066; A61N 5/06; A61N 5/0603;
A61N 2005/0606
See application file for complete search history.

(56) **References Cited**

U.S. PATENT DOCUMENTS

6,382,979 B2 * 5/2002 Lindquist A61C 19/063
433/32
9,636,198 B2 * 5/2017 Kodama A61C 19/063

10,016,264 B2 * 7/2018 Otsuka A61C 19/066
D836,204 S * 12/2018 Montgomery D24/181
D881,400 S * 4/2020 Abdul D24/181
10,716,652 B2 * 7/2020 Stewart A61C 19/066
10,918,470 B1 * 2/2021 Levine A61N 5/0603
D912,826 S * 3/2021 Bao D24/181
11,141,254 B2 * 10/2021 Chapman A61C 19/066
2016/0235511 A1 * 8/2016 Kodama A61C 19/063
2018/0207443 A1 * 7/2018 Nishio A61C 19/066
2020/0345472 A1 * 11/2020 Chapman A61N 5/0603
2021/0369431 A1 * 12/2021 Dreier A61C 19/063
2022/0313409 A1 * 10/2022 Pai A61C 19/066

* cited by examiner

Primary Examiner — Wan Laymon

(74) *Attorney, Agent, or Firm* — Sandy Lipkin

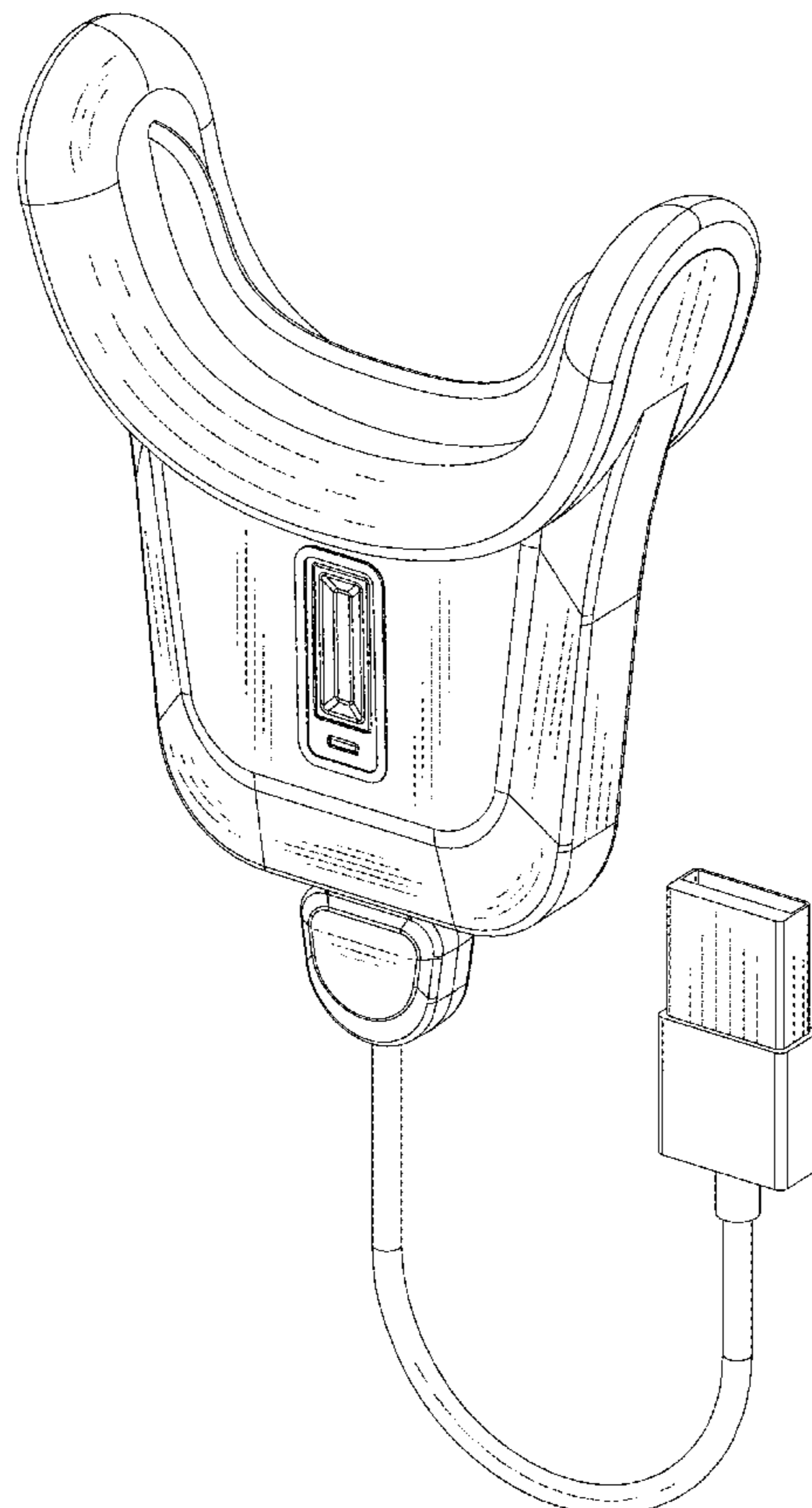
(57) **CLAIM**

The ornamental design for a rechargeable lamp for oral cavity, as shown and described.

DESCRIPTION

FIG. 1 is a front view of a rechargeable lamp for oral cavity, showing our new design;
FIG. 2 is a top plan view thereof;
FIG. 3 is a bottom plan view thereof;
FIG. 4 is a rear plan view thereof;
FIG. 5 is a left plan view thereof;
FIG. 6 is a right plan view thereof; and,
FIG. 7 is a perspective view thereof.

1 Claim, 7 Drawing Sheets



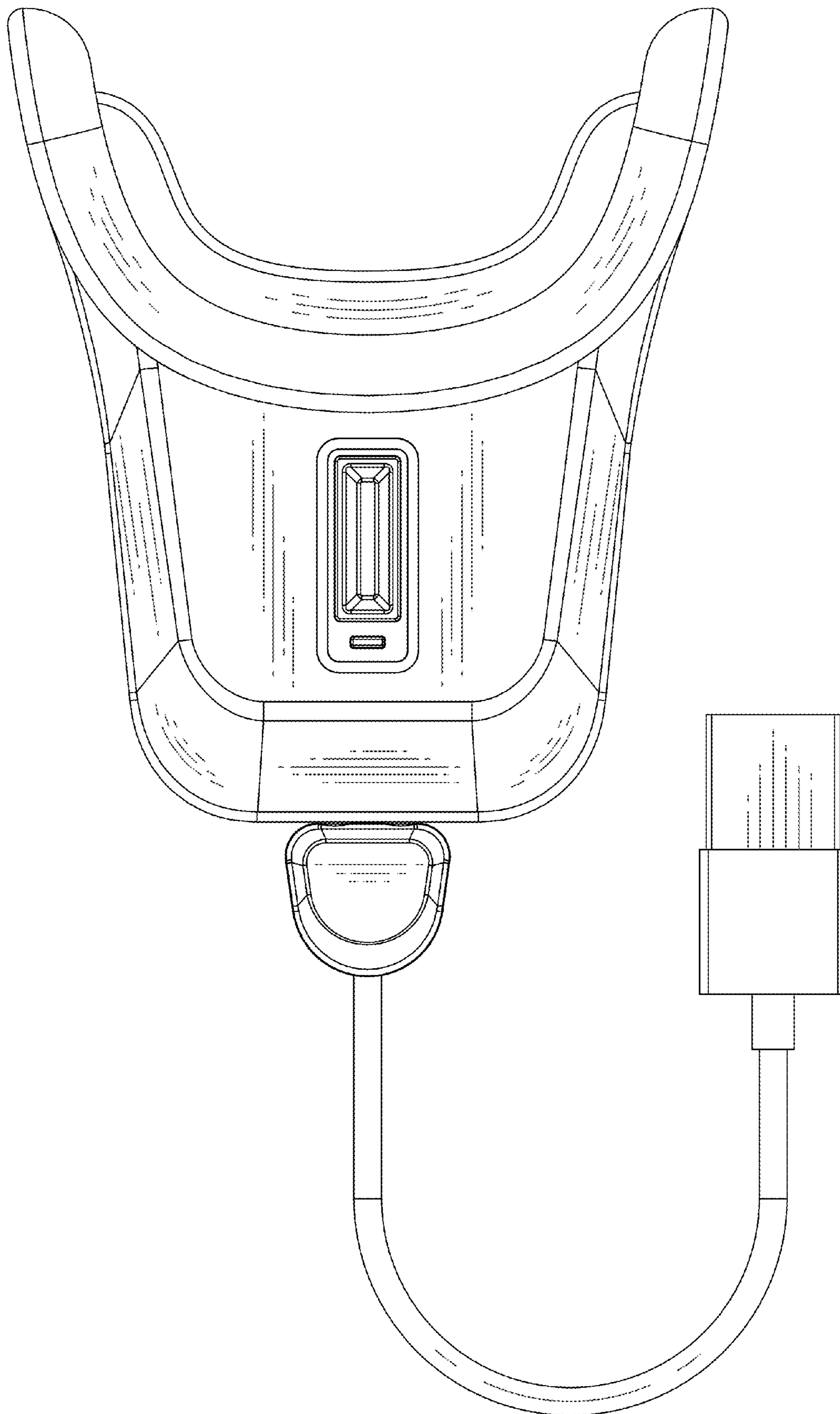


FIG. 1

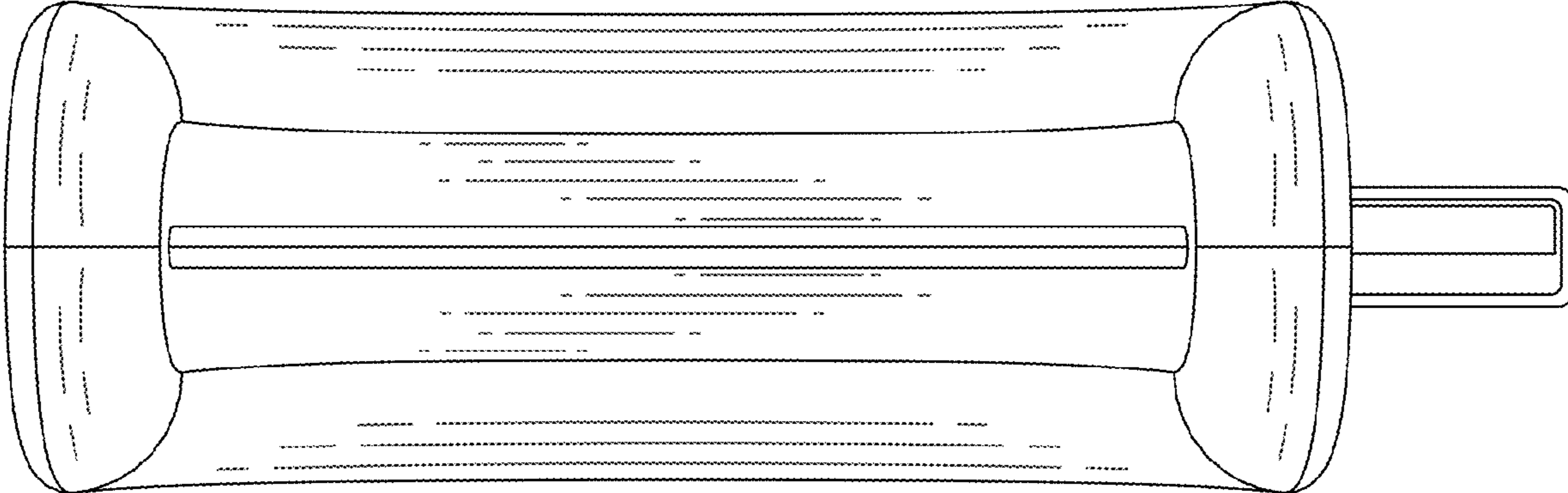


FIG. 2

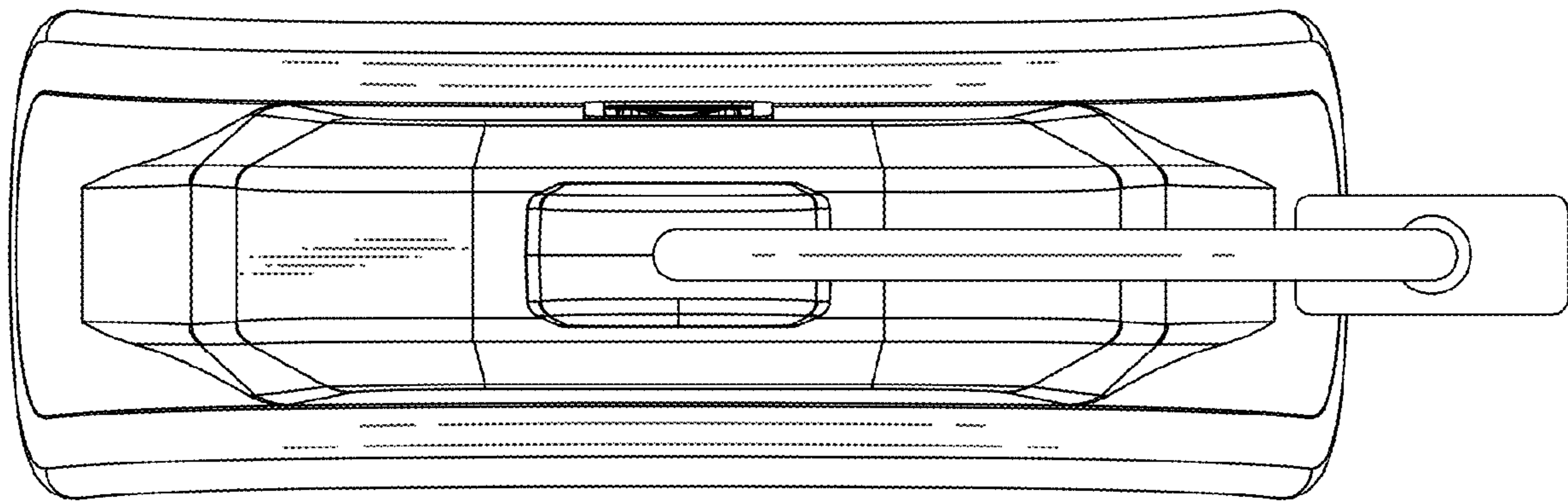


FIG. 3

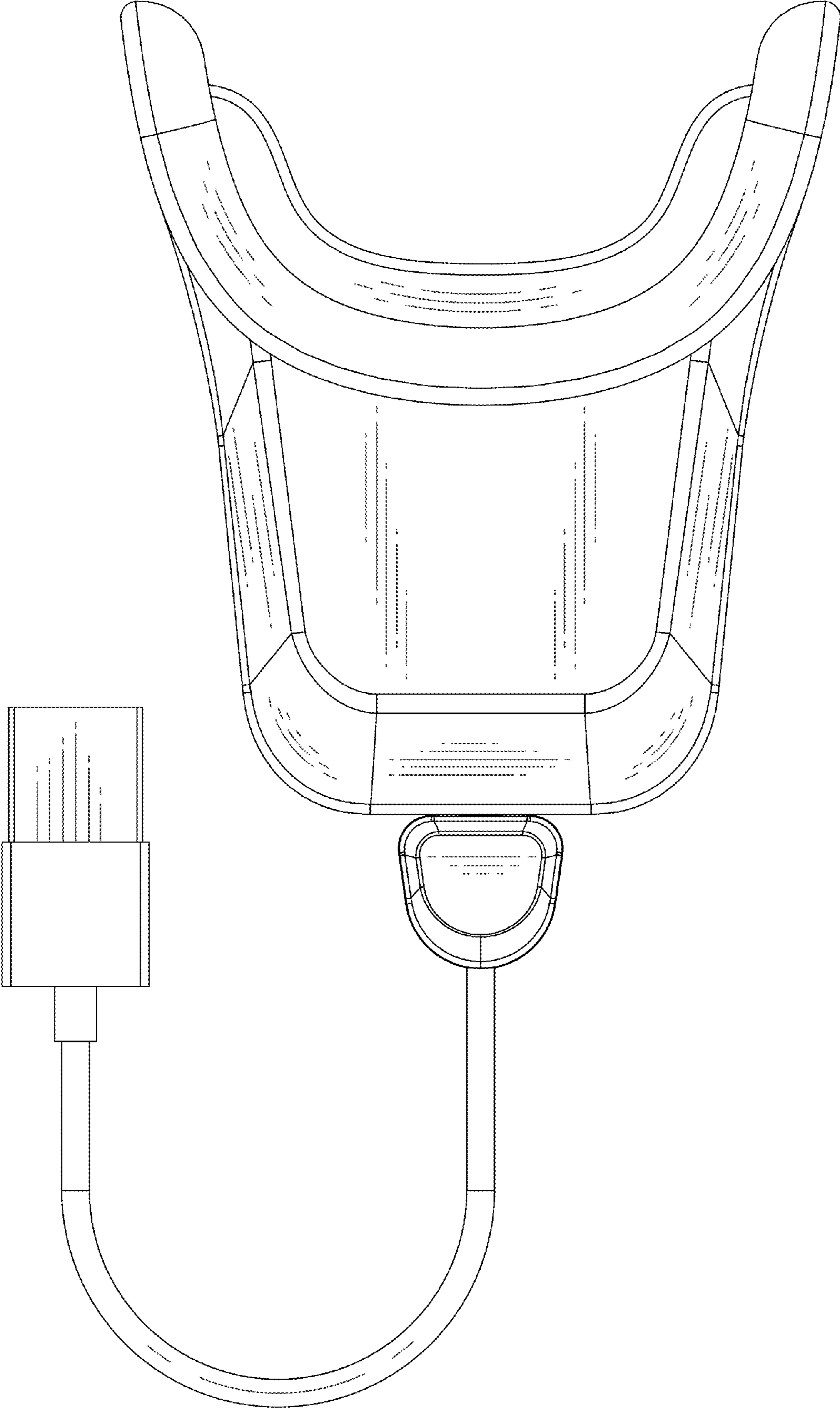


FIG. 4

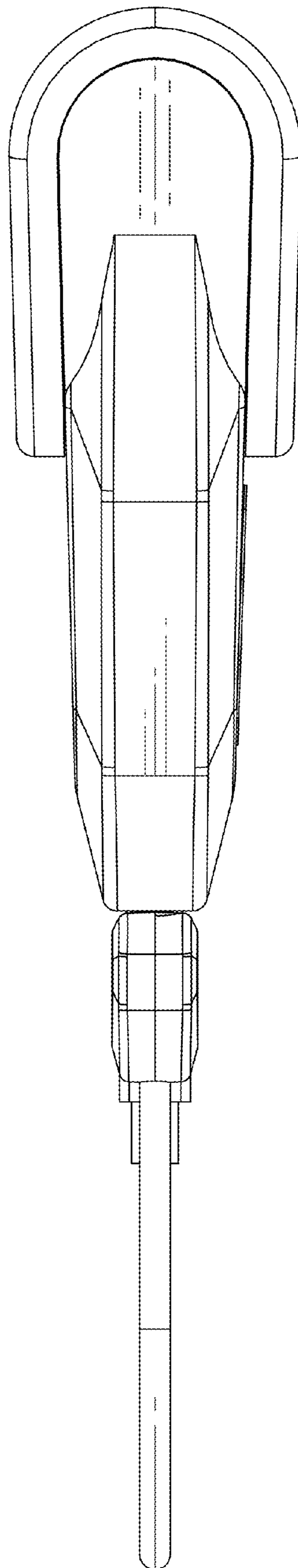


FIG. 5

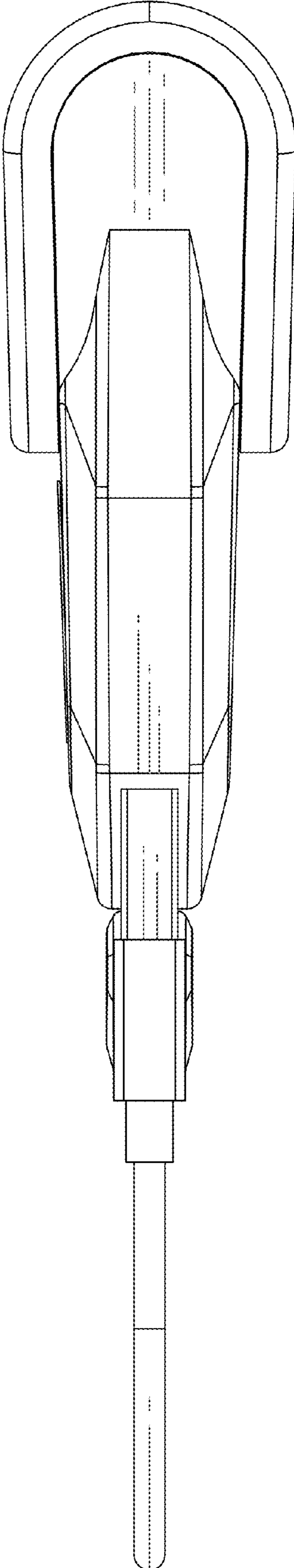


FIG. 6

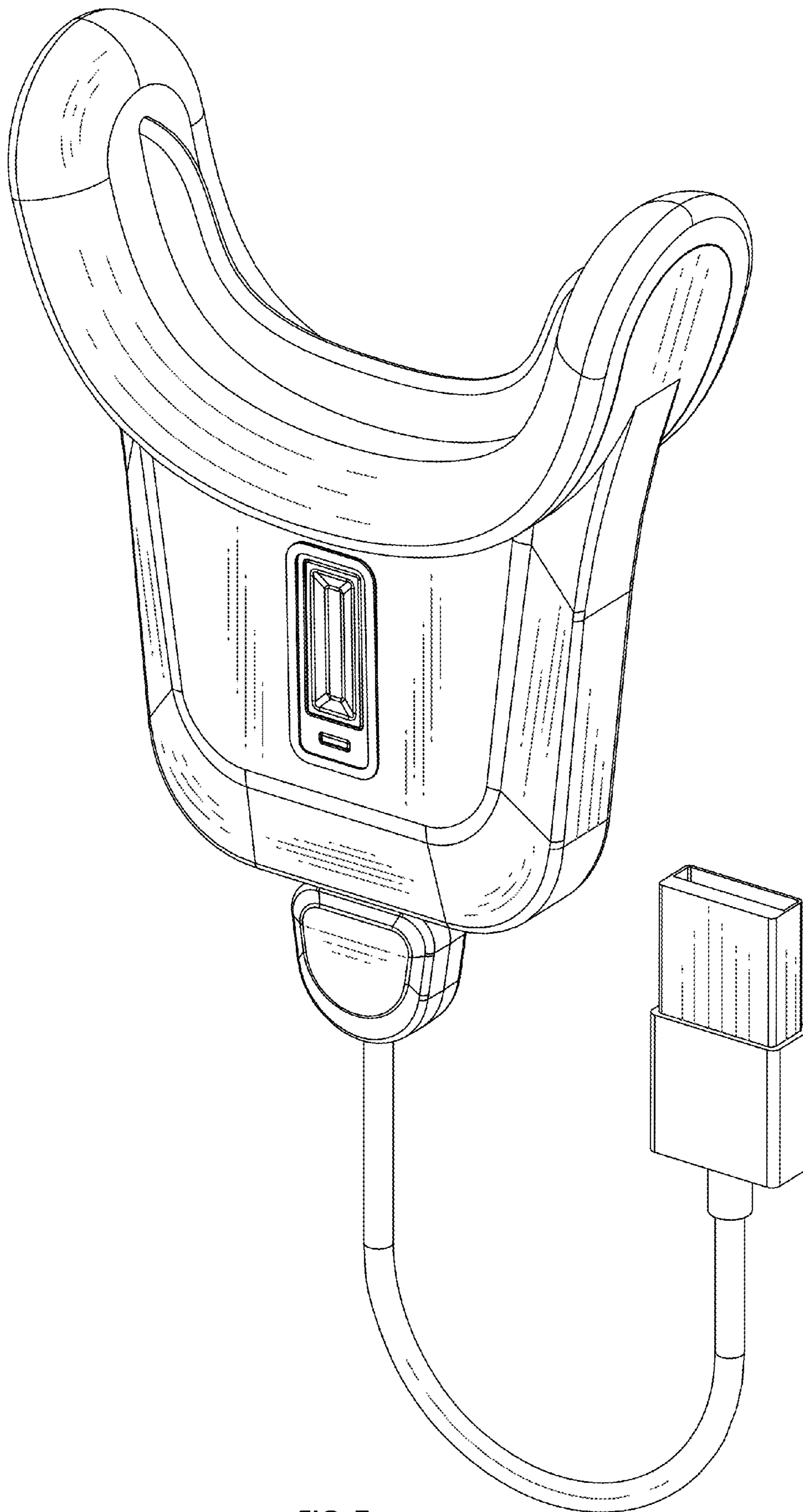


FIG. 7