



US00D972146S

(12) **United States Design Patent** (10) **Patent No.:** **US D972,146 S**
Asmussen et al. (45) **Date of Patent:** **** Dec. 6, 2022**

(54) **EAR PLUG** 4,069,400 A * 1/1978 Johanson H04R 25/60
381/322
(71) Applicant: **Ear Labs AB**, Malmö (SE) 4,375,016 A * 2/1983 Harada H04R 25/656
381/328
(72) Inventors: **Casper Asmussen**, Malmö (SE); 4,532,649 A * 7/1985 Bellafiore H04R 25/65
381/328
Aleksandar Andreevski, Malmö (SE);
Tina Elise Brattgjerd Alnæs,
Stockholm (SE) D287,764 S * 1/1987 Topholm D24/174
4,969,534 A * 11/1990 Kolpe H04R 25/658
381/372
(73) Assignee: **Ear Labs AB**, Malmö (SE) 4,984,277 A * 1/1991 Bisgaard H04R 25/654
381/328
(**) Term: **15 Years** D367,113 S * 2/1996 Weeks D24/174
5,748,743 A * 5/1998 Weeks H04R 25/656
381/328
(21) Appl. No.: **35/513,028** 5,887,070 A * 3/1999 Iseberg H04R 1/1016
381/328
(22) Filed: **Nov. 8, 2021** D455,835 S * 4/2002 Anderson D24/174
(Continued)

(80) **Hague Agreement Data**

Int. Filing Date: **Nov. 8, 2021**
Int. Reg. No.: **DM/217467**
Int. Reg. Date: **Nov. 8, 2021**
Int. Reg. Pub. Date: **Nov. 26, 2021**

(30) **Foreign Application Priority Data**

May 19, 2021 (EM) 008546766-0001

(51) **LOC (13) Cl.** **24-99**

(52) **U.S. Cl.**

USPC **D24/174; D14/223**

(58) **Field of Classification Search**

USPC D24/173, 174; D14/223, 205; D29/112;
2/209; 600/474, 549; 381/380-381, 328

CPC A61F 11/08; A61F 11/01; H04R 25/60;
H04R 25/604; H04R 25/00; H04R 25/02;
H04R 1/10

See application file for complete search history.

(56) **References Cited**

U.S. PATENT DOCUMENTS

2,971,065 A * 2/1961 Busse H04R 25/609
381/189
3,047,089 A * 7/1962 Zwislocki A61F 11/08
181/135

FOREIGN PATENT DOCUMENTS

EM 008546766-0001 * 5/2021
TW 213946-0001 * 5/2020
TW 218850-0001 * 3/2021

Primary Examiner — Paula Allen Greene

(74) *Attorney, Agent, or Firm* — Larson & Larson, P.A.;
Frank Liebenow; Justin P. Miller

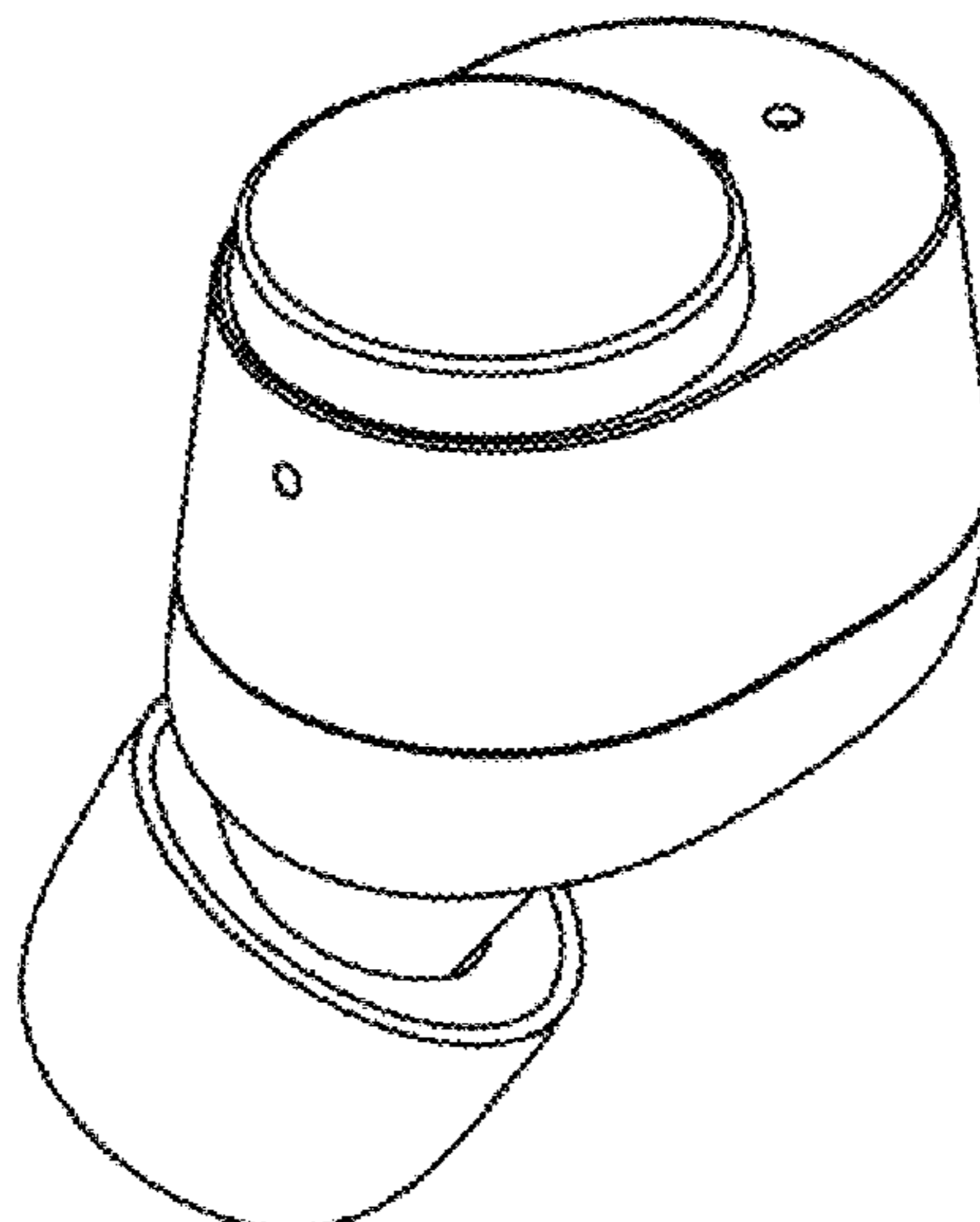
(57) **CLAIM**

The ornamental design for an ear plug, as shown and described.

DESCRIPTION

- 1. Ear plug
- 1.1: Front top perspective view
- 1.2: Front view
- 1.3: Right side view
- 1.4: Rear view
- 1.5: Left side view
- 1.6: Bottom view
- 1.7: Top view

1 Claim, 7 Drawing Sheets



(56)

References Cited

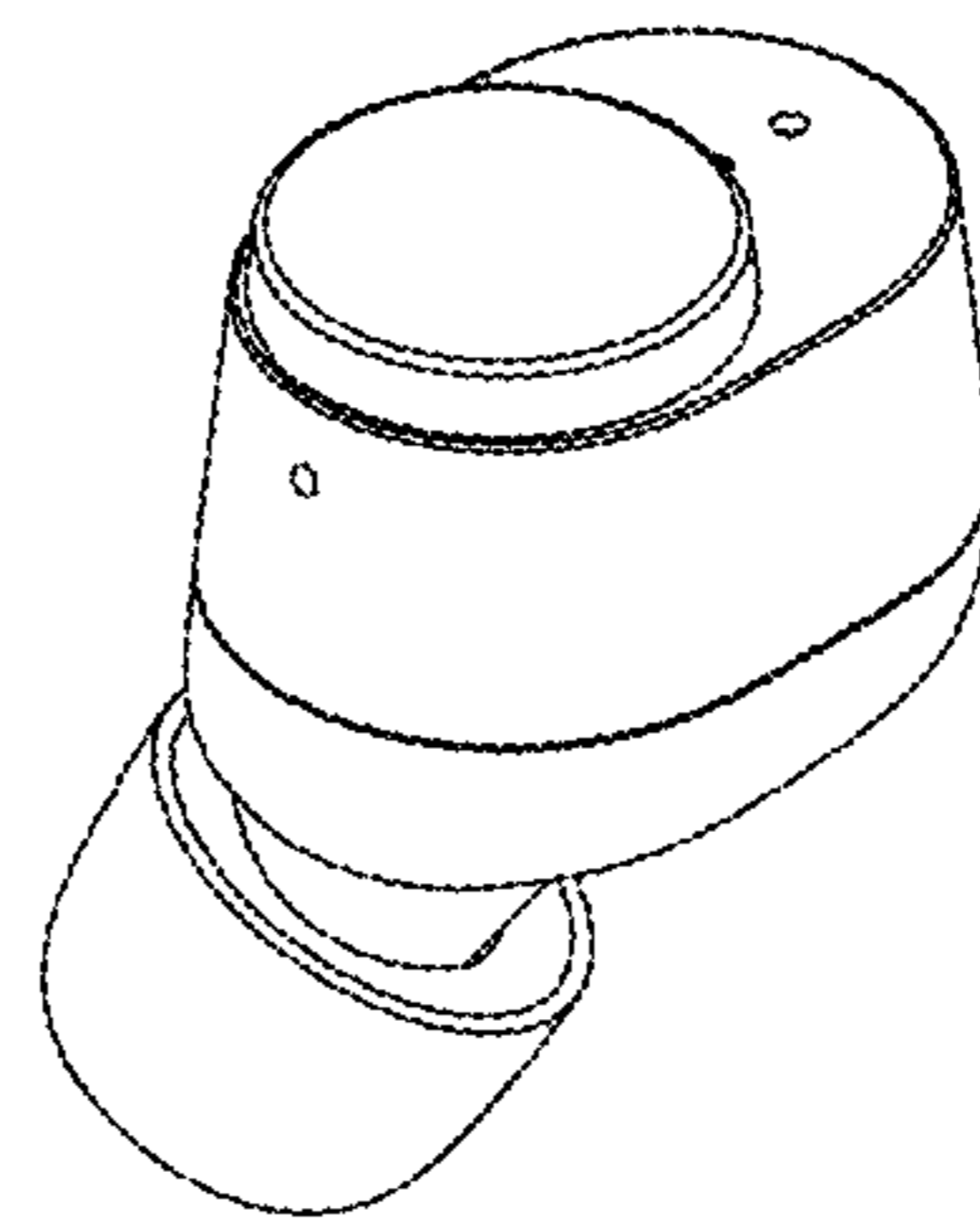
U.S. PATENT DOCUMENTS

7,403,629 B1 * 7/2008 Aceti H04R 25/656
 381/322
 D612,058 S * 3/2010 Wai D24/174
 7,743,771 B2 * 6/2010 Falco A61F 11/08
 181/129
 D657,499 S * 4/2012 Parkins D29/112
 D728,107 S * 4/2015 Torres Martin D24/174
 D795,224 S * 8/2017 Valenzuela D14/223
 D810,054 S * 2/2018 Yuan D14/223
 D817,309 S * 5/2018 Czaniecki D14/223
 D846,532 S * 4/2019 Xiao D14/223
 D863,263 S * 10/2019 Yu D14/223
 D868,752 S * 12/2019 Zhu D14/223
 D883,257 S * 5/2020 Duddy D14/223
 D883,261 S * 5/2020 Zhang D14/223
 D889,754 S * 7/2020 Coffin A61F 11/08
 D29/112
 D895,580 S * 9/2020 Yu D14/223
 D896,969 S * 9/2020 Yu D24/174
 10,827,249 B1 * 11/2020 Pine H04R 1/1041

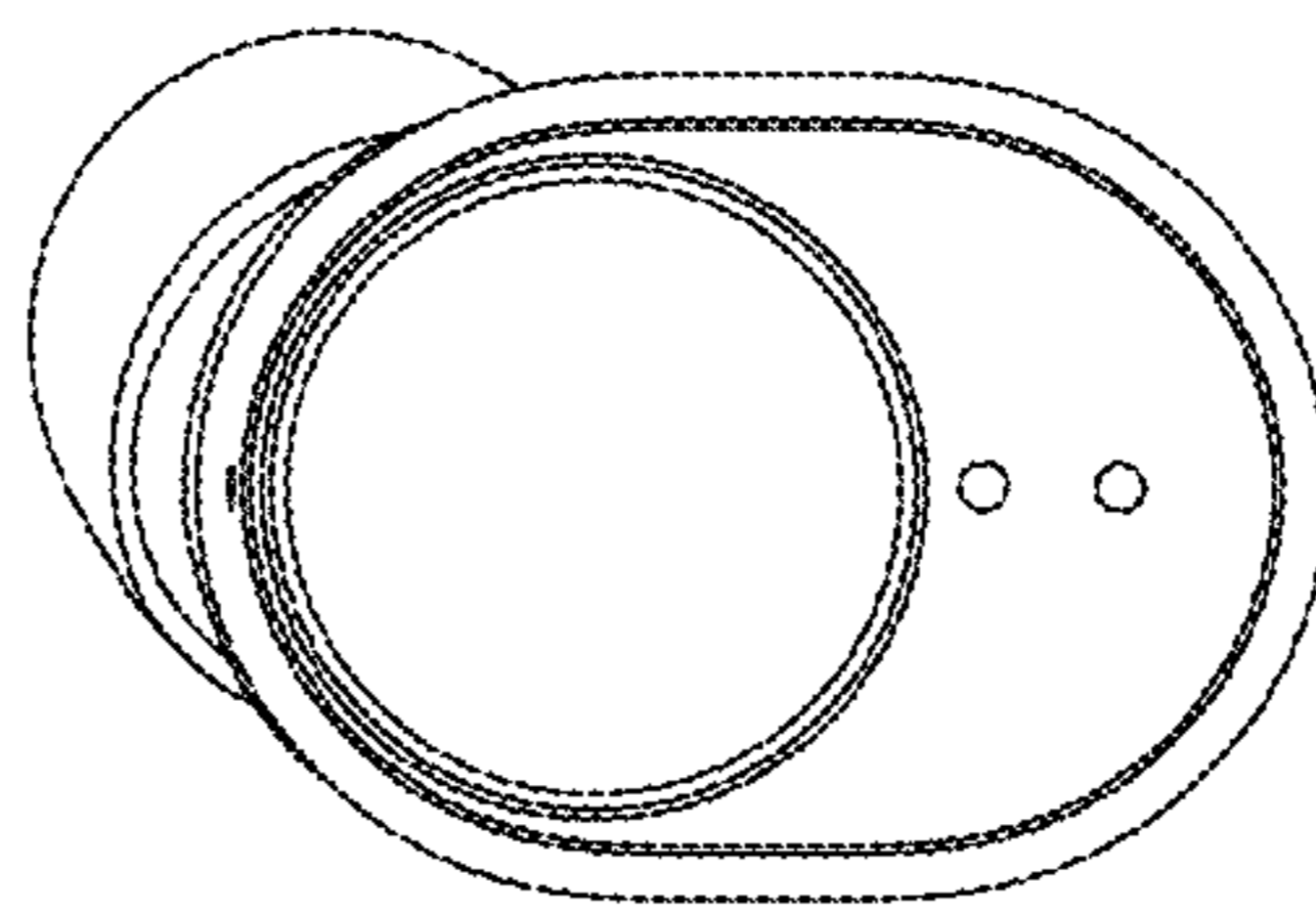
D905,664 S * 12/2020 He D14/223
 D908,667 S * 1/2021 He D14/223
 D915,358 S * 4/2021 Ma D14/223
 D917,425 S * 4/2021 Wang D14/223
 D918,873 S * 5/2021 Deng D14/223
 D922,358 S * 6/2021 Li D14/223
 D924,207 S * 7/2021 Li D14/223
 D930,839 S * 9/2021 Zhang D24/174
 D936,638 S * 11/2021 Lefebure D14/223
 D938,941 S * 12/2021 Iwahori D14/223
 D941,475 S * 1/2022 Burns D24/174
 D942,610 S * 2/2022 Dittrich D24/106
 D947,817 S * 4/2022 Nakamura D14/223
 D954,683 S * 6/2022 Huang D14/223
 D956,721 S * 7/2022 Wen D14/223
 D959,411 S * 8/2022 Ando D14/223
 2016/0353216 A1 * 12/2016 Ruzicka H04R 25/60
 2020/0177981 A1 * 6/2020 Ma H04R 1/1016
 2020/0254877 A1 * 8/2020 Nakajima B60Q 9/008
 2020/0374632 A1 * 11/2020 Wang H04M 1/6066
 2021/0378869 A1 * 12/2021 Ng H04R 1/1016
 2022/0014832 A1 * 1/2022 Seo H04R 1/04
 2022/0201412 A1 * 6/2022 Forrest H04R 25/603

* cited by examiner

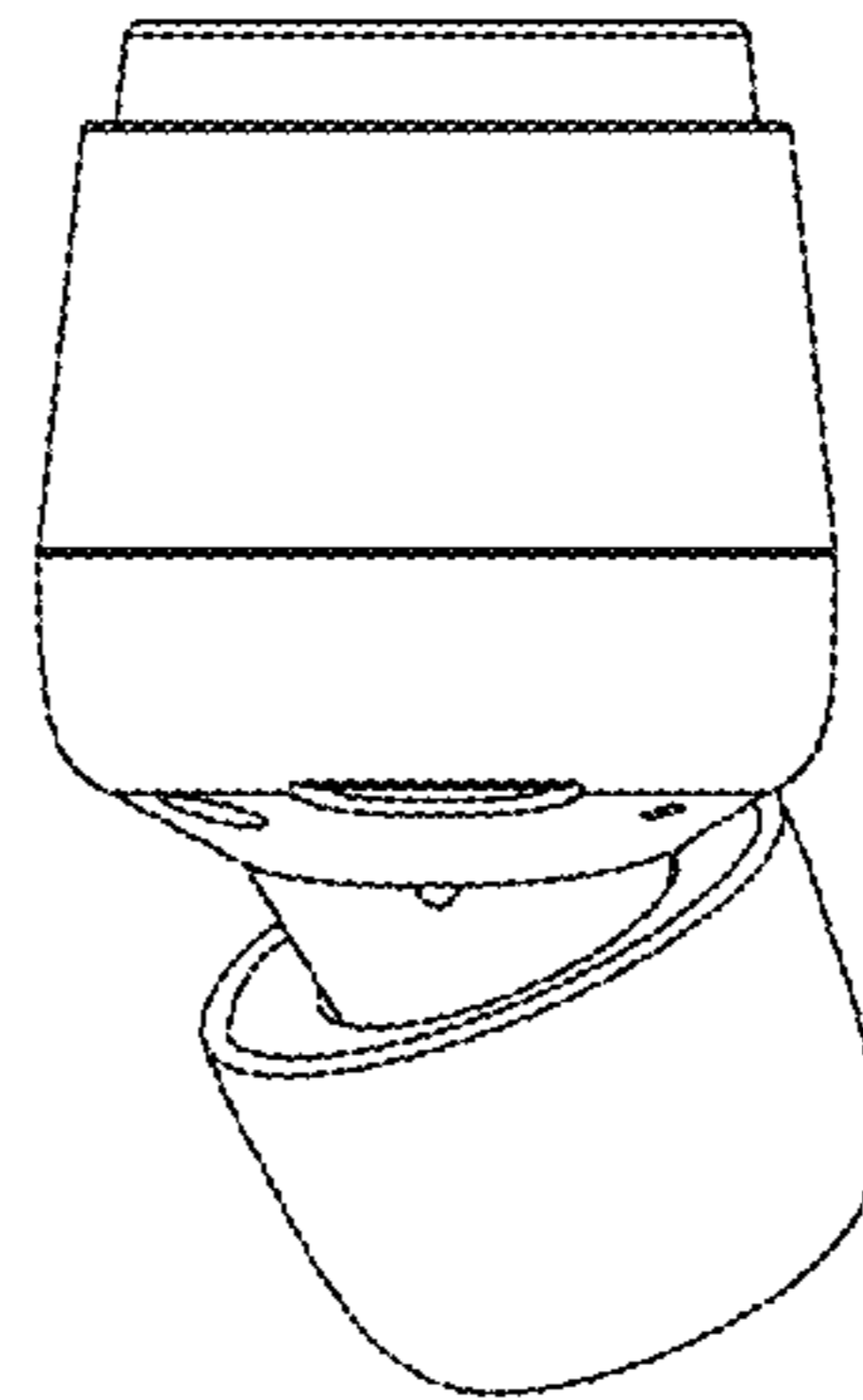
1.1



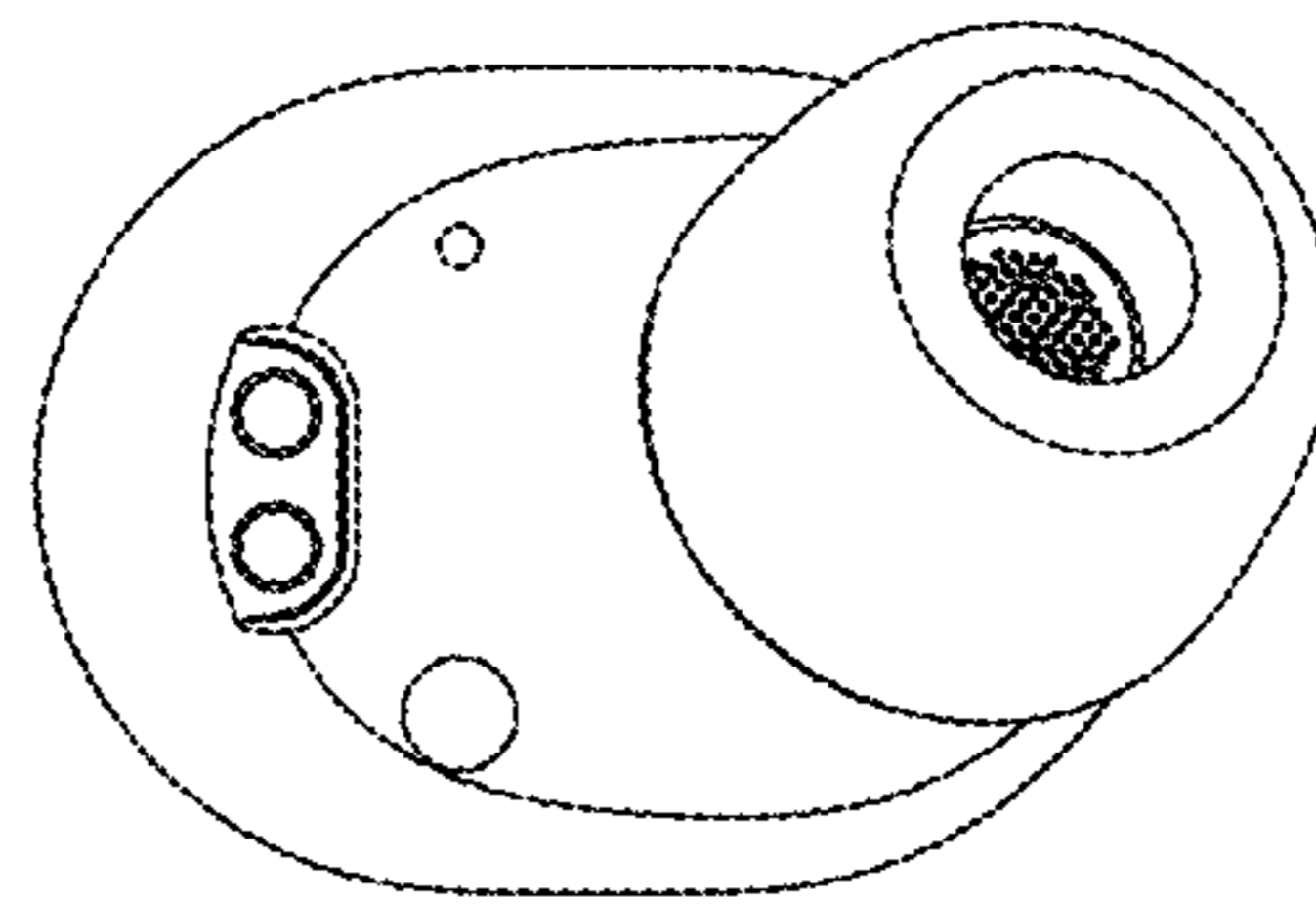
1.2



1.3



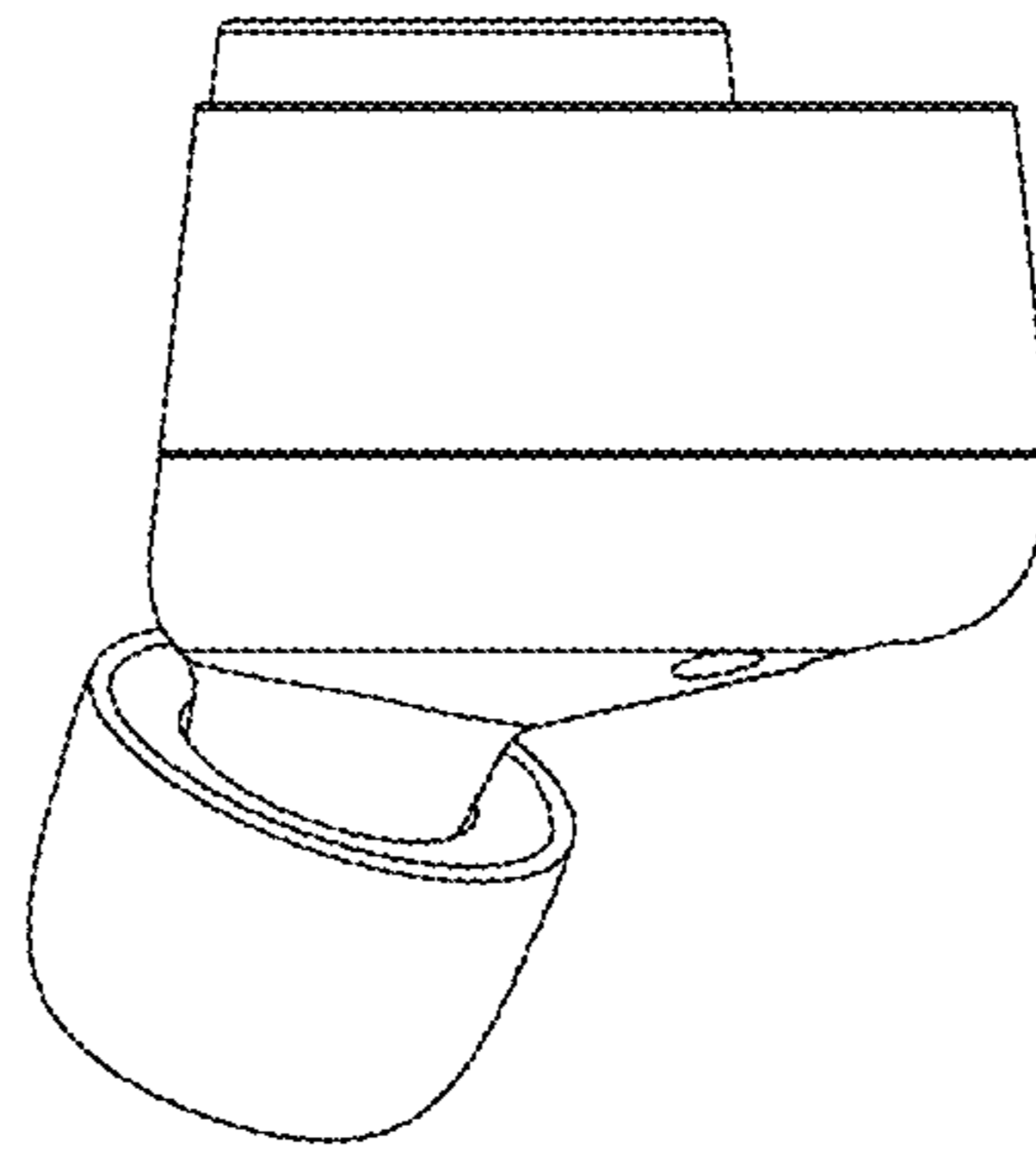
1.4



1.5



1.6



1.7

