



US00D972145S

(12) **United States Design Patent** (10) **Patent No.:** **US D972,145 S**
Park (45) **Date of Patent:** **** Dec. 6, 2022**

(54) **DEVICE FOR MOISTURIZING HUMAN EYES**

(71) Applicant: **Min Gyu Park**, Busan (KR)

(72) Inventor: **Min Gyu Park**, Busan (KR)

(**) Term: **15 Years**

(21) Appl. No.: **29/808,341**

(22) Filed: **Sep. 17, 2021**

(51) **LOC (13) Cl.** **24-02**

(52) **U.S. Cl.**
USPC **D24/172; D24/120**

(58) **Field of Classification Search**
USPC D24/107, 108, 110, 110.4–110.6, D24/111–115, 117–122, 123, 130, 133, D24/141, 152, 157, 160, 166, 172, 186, D24/190–192, 206–208, 215, 200; D28/7, 8, 523, 667, 669, 700; D34/1; D19/73; D23/200; D11/152–154
CPC A61F 9/0008; A61F 9/0026; A61F 2230/0091; A61F 2250/0004; A61H 35/02; A61H 2201/0153; A61M 35/003; A61M 35/00; A61M 2210/0612; B65D 47/18; B65D 83/30; B65D 2543/00083; B65D 2543/00305; B65D 2543/00509; B65D 2543/00648; B65D 2543/00842; B65D 43/0206; B65D 43/0208; B01L 3/0282; A45C 11/005; A45C 11/046; Y10S 206/828

See application file for complete search history.

(56) **References Cited**

U.S. PATENT DOCUMENTS

- 2,767,711 A * 10/1956 Ernst A61H 35/02 D7/629
- 2,920,624 A * 1/1960 Lerner A61M 15/08 222/536
- 3,016,898 A * 1/1962 Erwin A61H 35/02 604/301
- D293,474 S * 12/1987 Jermyn D24/115
- D418,020 S * 12/1999 Tardif D7/602

- D547,805 S * 7/2007 Killinger D34/1
- D566,363 S * 4/2008 Lown D34/1
- D737,450 S * 8/2015 Abelson D24/172
- D748,247 S * 1/2016 MacRae D24/120
- D852,351 S * 6/2019 Alvino D24/120
- D882,767 S * 4/2020 Park D24/120
- 10,821,052 B1 * 11/2020 Park A61F 9/0026

(Continued)

FOREIGN PATENT DOCUMENTS

- EM 008686018-0001 * 9/2021
- GB 9008173900-0001 * 9/2020

(Continued)

OTHER PUBLICATIONS

Gdeal Eye Bath Silicone Eye Wash Cup. Jul. 5, 2018. Site visited Sep. 2, 2022. [https://www.amazon.com/dp/B07F8N5WHQ/ref=sspa_dk_detail_2?psc=1&pd_rd_i=B07F8N5WHQ&pd_rd_w=U6S7B&content-id=amzn1.sym.3481f441-61ac-4028-9C1a-7f9ce8ec50c5&pf_rd_p=3481f441-61ac-4028-9c1a-7f9ce8ec50c5&pf_rd_r=87JCPE3STCV8YP0BVKR5&pd_rd_wg=DuzRm&pd_rd_r=bf00cf84-3365-4780-848d-017bfaa82818&s=hpc&sp_csd=d2lkZ2V0TmFtZT1zcF9kZXRhaWxldGhlfWF0aWM&spLa=ZW5jcnlwdGVkUXVhbGlmaWVyPUFIWjE3V0gxMkgxSTkmZW5jcnlw dGVkSWQ9QTA2Njc5NDYzU1RVREw3RFo1WEk5JmVuY3J5cHRIZEFkSWQ9QTA5MzQzOTIyNDdKxSDc1JndpZGdldE5hbWU9c3BfZGV0YWIsX3RoZW1hdGljJmFjdGlvbj1jbGlja1JlZGlzZWNoJmRvTm90TG9nQ2xpY2s9dHJlZQ==] (Year: 2018).*

(Continued)

Primary Examiner — Wendy L Arminio
Assistant Examiner — Maheen Khurshid
(74) *Attorney, Agent, or Firm* — IPLA P.A.

(57) **CLAIM**

The ornamental design for a device for moisturizing human eyes, as shown and described.

DESCRIPTION

FIG. 1 is a perspective view of my new design showing a device for moisturizing human eyes;

(Continued)

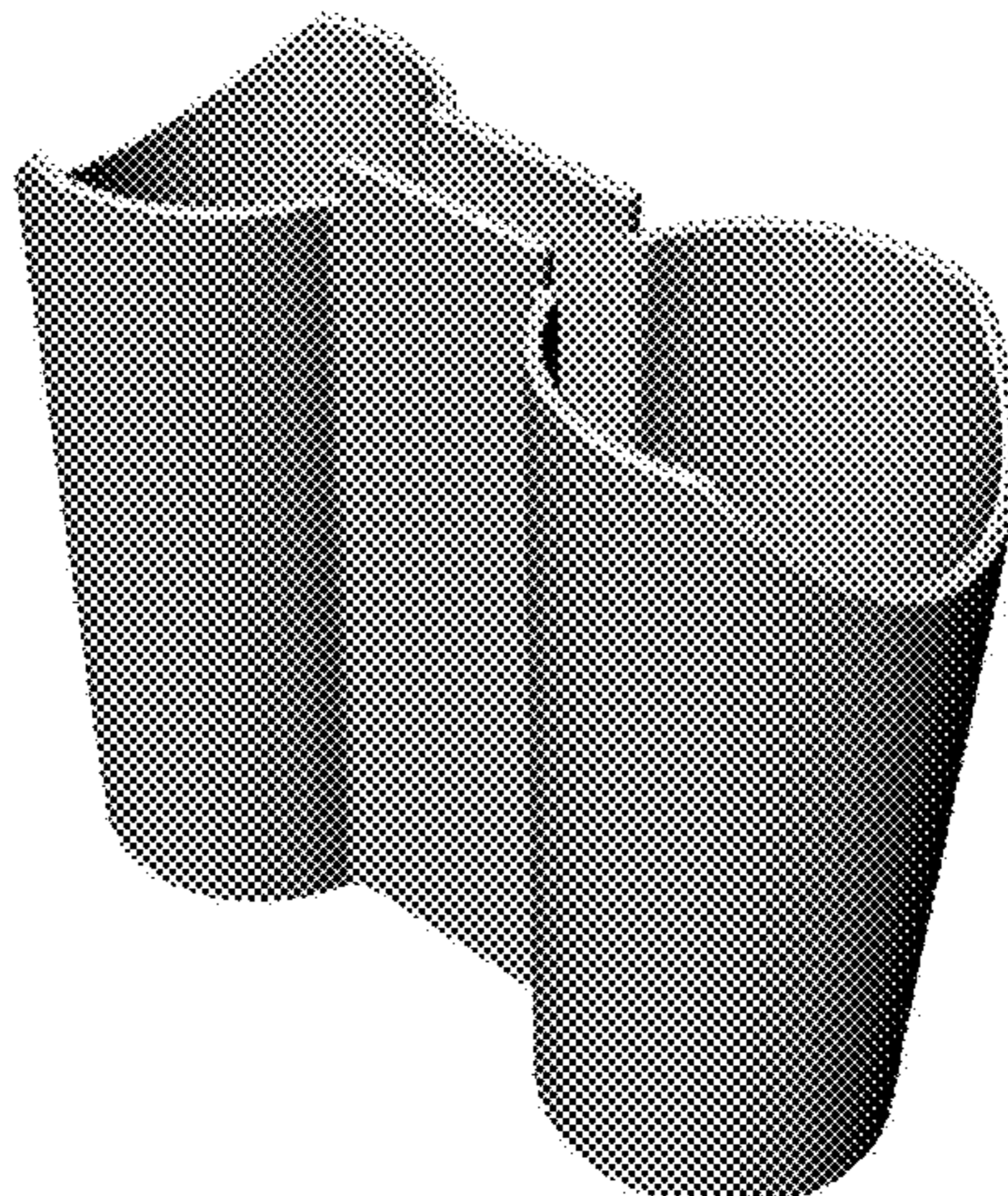


FIG. 2 is a front elevation view thereof, the rear view being a mirror image; and, FIG. 3 is a side elevation view thereof, the other side being a mirror image.

1 Claim, 3 Drawing Sheets

(56)

References Cited

U.S. PATENT DOCUMENTS

D952,138 S *	5/2022	Park	D24/120
D954,771 S *	6/2022	Park	D16/100
2007/0204398 A1 *	9/2007	Dubois	A61H 35/02 4/620
2020/0206031 A1 *	7/2020	Lim	A61F 9/0008

FOREIGN PATENT DOCUMENTS

IN	325016-001-0001	*	2/2020
JP	D1423041	*	9/2011

OTHER PUBLICATIONS

Iittala Aalto Vase 4.75" Recycled Edition. Aug. 10, 2021. Site visited Sep. 2, 2022. [https://www.amazon.com/dp/B09CB86886/ref=sbl_dp_x_decor-vases_B000FMTMHA_0] (Year: 2021).*

Produco Metal Mesh Diagonal Pen Pencil Brush Cup. Aug. 16, 2021. Site visited Sep. 2, 2022. [https://www.amazon.com/Produco-Diagonal-Pencil-Holder-Organizer/dp/B09CP9HQXD/ref=sr_1_23?crd=UAMTS6ARX7GN&keywords=two%2Bpencil%2Bcup%2Bjoined&qid=1662134473&srefix=two%2Bpencil%2Bcup%2Bjoined%2Caps%2C67&sr=8-23&th=1] (Year: 2021).*

IDesign The Clarity Collection Round Plastic Canister. Jan. 15, 2019. Site visited Sep. 2, 2022. [https://www.amazon.com/iDesign-Collection-Canister-Cosmetic-Organizer/dp/B072QFSQDG/ref=sr_1_9?crd=3KMDFU09VFLZ7&keywords=two+compartment+container+or+organizer&qid=1662133866&srefix=two+compartment+container+or+organizer%2Caps%2C99&sr=8-9] (Year: 2019).*

* cited by examiner

FIG. 1

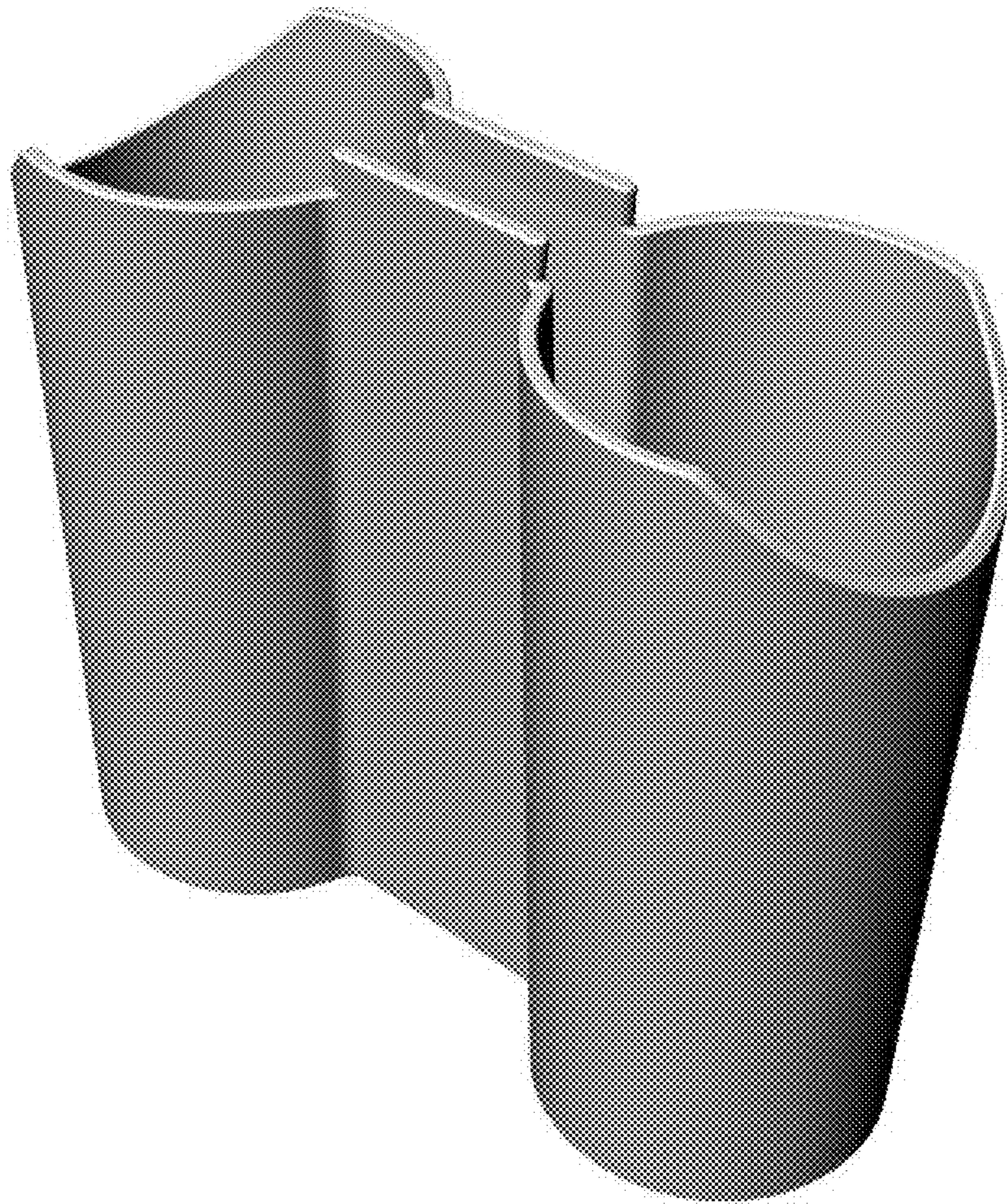


FIG. 2

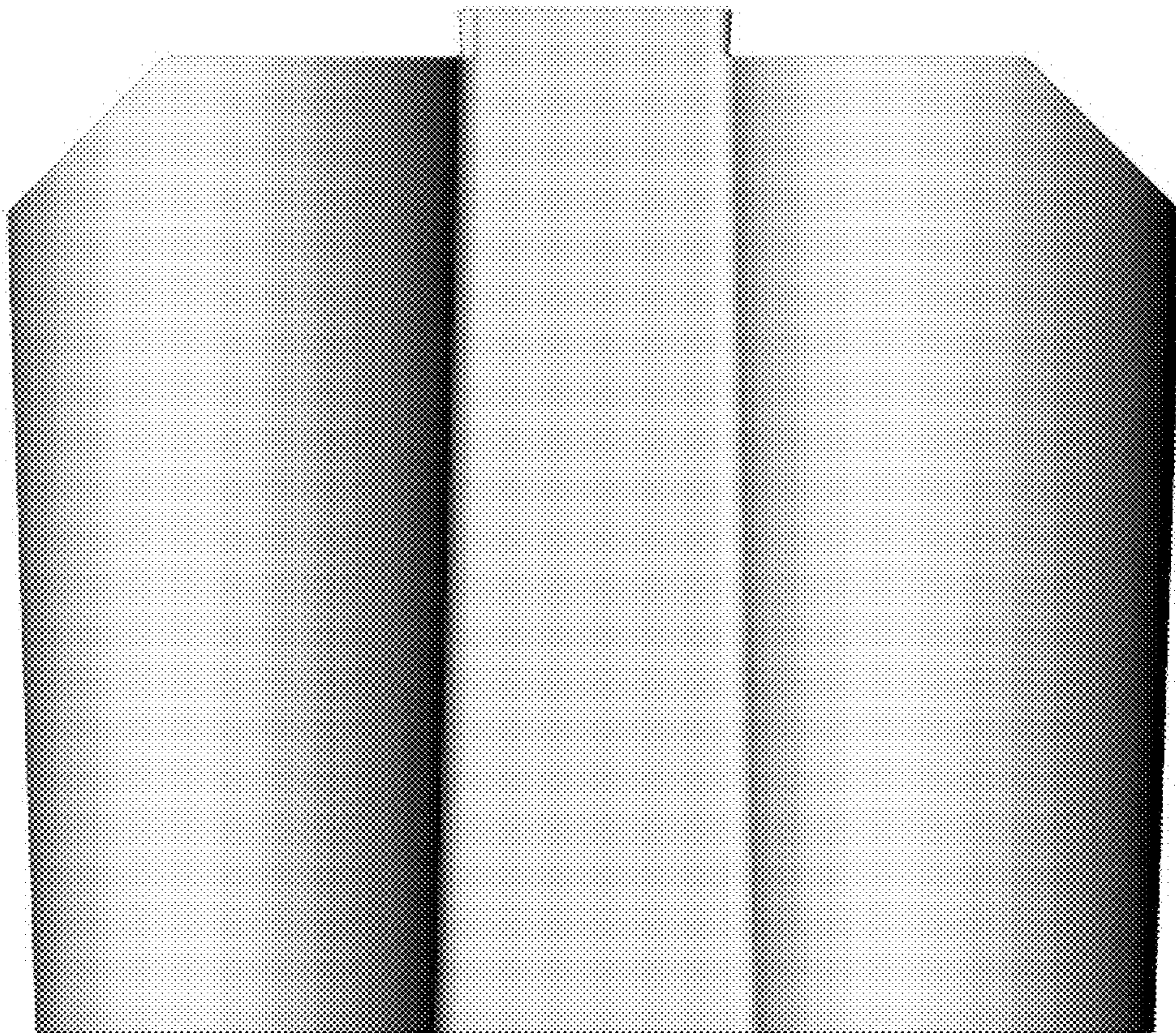


FIG. 3

