



US00D972144S

(12) **United States Design Patent**  
**Gupta et al.**

(10) **Patent No.:** **US D972,144 S**

(45) **Date of Patent:** **\*\* Dec. 6, 2022**

(54) **WHOLE BLOOD SEPARATOR DEVICE**

(71) Applicants: **Ashim Gupta**, Lawrenceville, GA (US);  
**Charles Bradley Simons**, Milton, GA (US)

(72) Inventors: **Ashim Gupta**, Lawrenceville, GA (US);  
**Charles Bradley Simons**, Milton, GA (US)

(\*\*) Term: **15 Years**

(21) Appl. No.: **29/756,522**

(22) Filed: **Oct. 29, 2020**

(51) **LOC (13) Cl.** ..... **24-01**

(52) **U.S. Cl.**  
USPC ..... **D24/169; D24/224**

(58) **Field of Classification Search**  
USPC ..... D24/107, 108, 169, 185, 186, 216, 121,  
D24/224, 111, 219  
CPC ..... A61M 1/1601; A61M 1/1602; A61M  
1/1694; A61M 1/1696; A61M 2205/123;  
A61M 2205/125; A61M 2205/3334;  
A61M 2205/332; A61M 5/142; A61M  
1/3693; A61M 1/029; A61M 2202/0427;  
A61M 2202/0429; A01L 2200/0652;  
A01L 3/5021; A01L 3/50215

See application file for complete search history.

(56) **References Cited**

**U.S. PATENT DOCUMENTS**

D278,653 S \* 4/1985 Savitz ..... D24/219  
D332,144 S \* 12/1992 Mann ..... D24/224

5,316,732 A \* 5/1994 Golukhov ..... B01L 3/502  
435/308.1  
D479,326 S \* 9/2003 Pollock ..... D24/108  
D629,111 S \* 12/2010 Oppelt ..... D24/169  
D765,522 S \* 9/2016 Spraw ..... D24/111  
D888,274 S \* 6/2020 Khalaj ..... D24/219  
D920,535 S \* 5/2021 Crabtree ..... D24/224  
2022/0134328 A1 \* 5/2022 Gupta ..... B01L 3/50215  
494/37

\* cited by examiner

*Primary Examiner* — Anhdao Doan

(74) *Attorney, Agent, or Firm* — David L. King

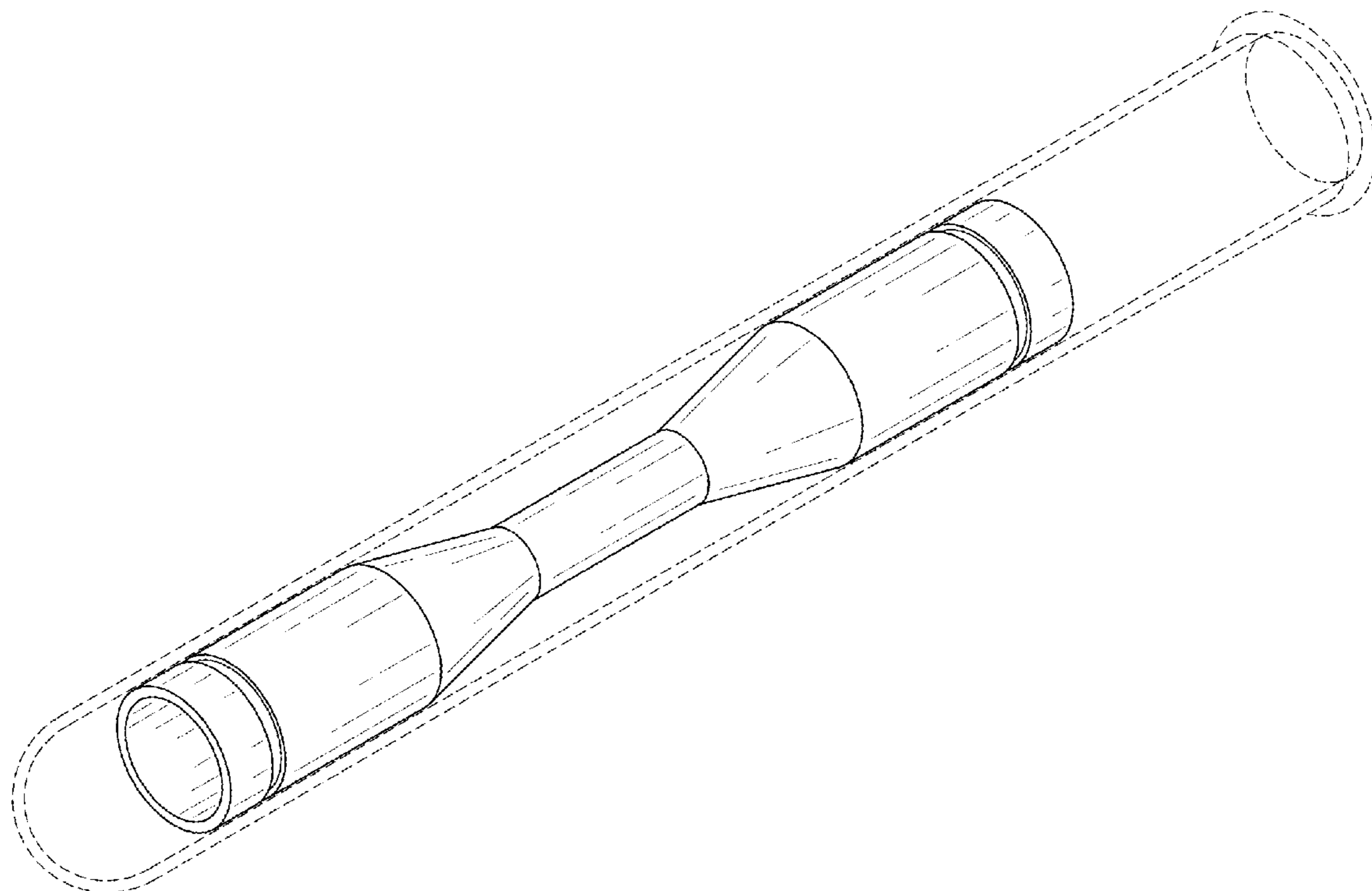
(57) **CLAIM**

The ornamental design for a whole blood separator device,  
as shown and described.

**DESCRIPTION**

FIG. 1 is a perspective view of a whole blood separator device showing our new design;  
FIG. 2 is a left side view thereof;  
FIG. 3 is a right side view thereof;  
FIG. 4 is a top plan view thereof; and,  
FIG. 5 is a bottom plan view thereof.  
The broken lines depict environmental subject matter and form no part of the claimed design.

**1 Claim, 2 Drawing Sheets**



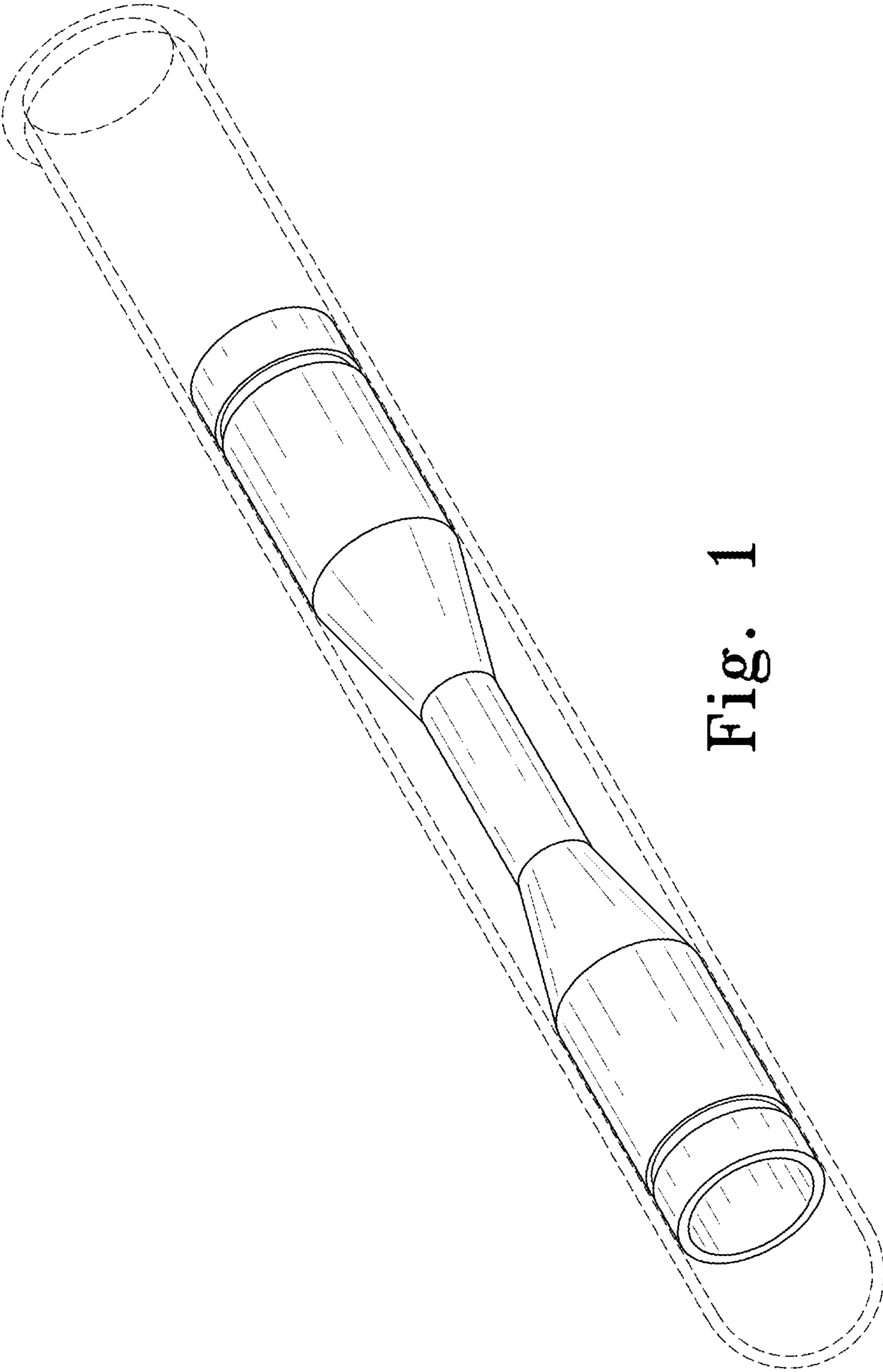


Fig. 1

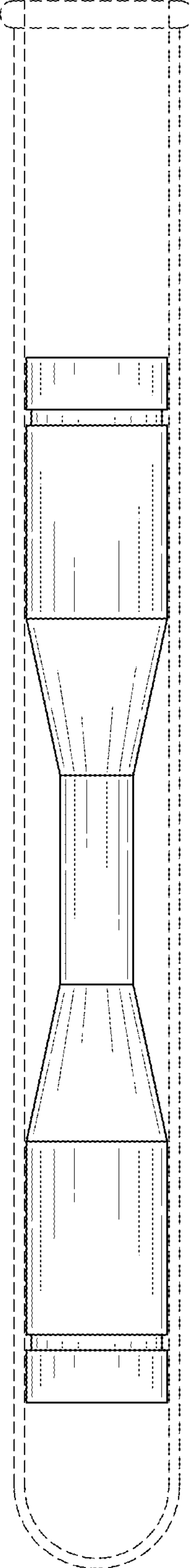


Fig. 2

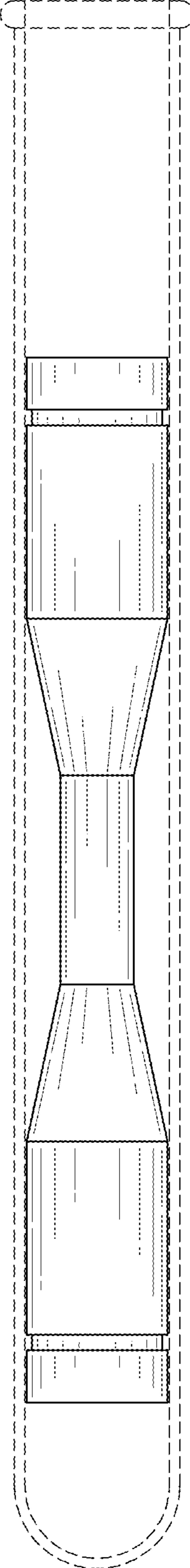


Fig. 3

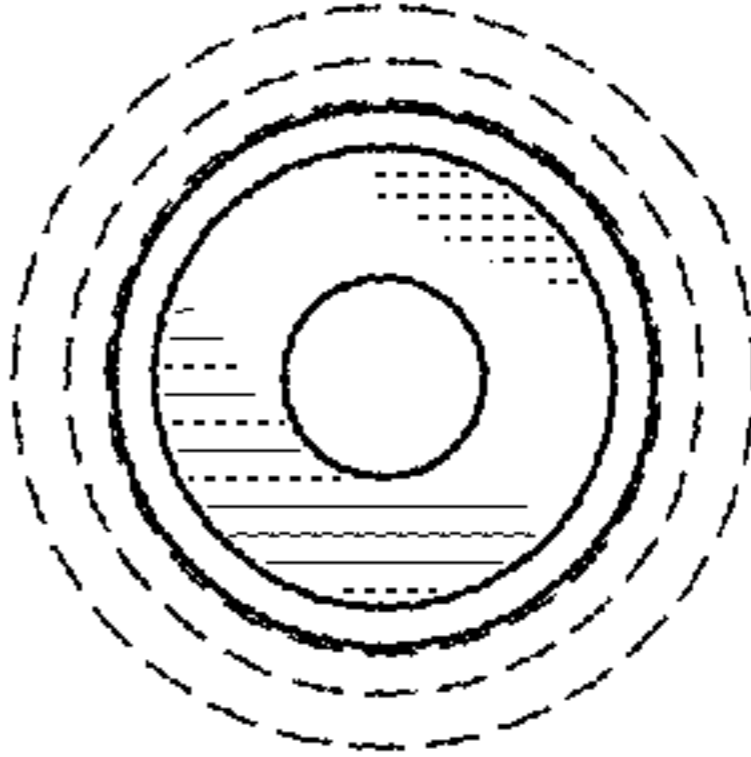


Fig. 4

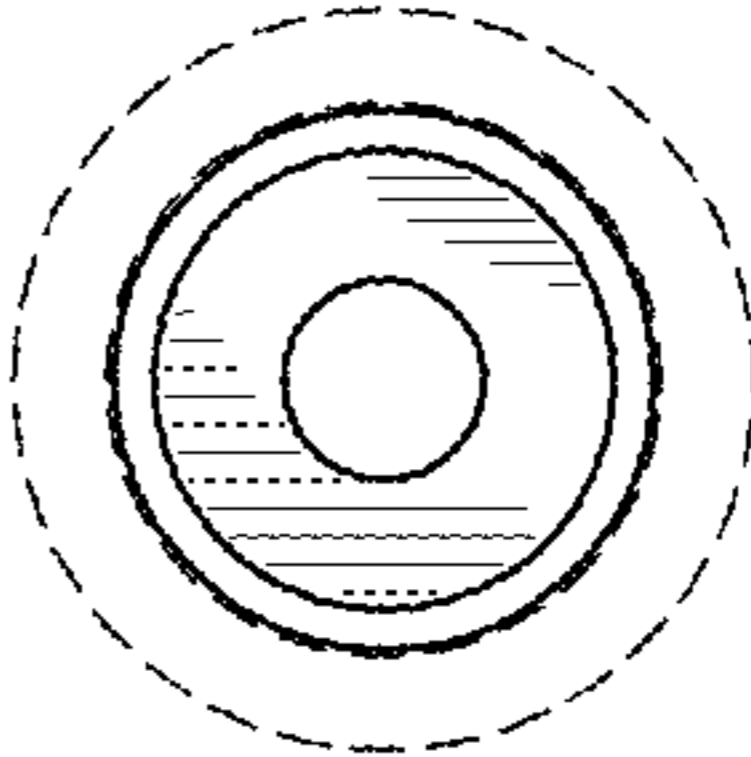


Fig. 5