



US00D972140S

(12) **United States Design Patent**
Horton

(10) **Patent No.:** **US D972,140 S**

(45) **Date of Patent:** **** Dec. 6, 2022**

(54) **CERVICAL PLATE IMPLANT**

(71) Applicant: **NuTech Spine, Inc.**, Birmingham, AL (US)

(72) Inventor: **Kenneth L. Horton**, Watersound, FL (US)

(73) Assignee: **NUTECH SPINE, INC.**, Birmingham, AL (US)

(**) Term: **15 Years**

(21) Appl. No.: **29/776,619**

(22) Filed: **Mar. 31, 2021**

(51) **LOC (13) Cl.** **24-03**

(52) **U.S. Cl.**
USPC **D24/155**

(58) **Field of Classification Search**
USPC D24/155
CPC A61B 17/8061; A61B 17/7059; A61B 17/8052; A61B 17/8605; A61B 17/8085; A61B 17/809; A61B 17/8014; A61B 17/8033; A61B 17/8004; A61B 17/888; A61B 17/842; A61B 17/8023; A61B 17/8009; A61B 17/86; A61B 17/1739; A61B 17/8066; A61B 17/1671; A61B 17/1757; A61B 17/8071; A61B 17/176
See application file for complete search history.

(56) **References Cited**

U.S. PATENT DOCUMENTS

D505,205 S *	5/2005	Freid	D24/155
D623,743 S *	9/2010	Den Hartog	D24/155
D643,927 S *	8/2011	Prasad	D24/155
D740,943 S *	10/2015	Neufeld	A61B 17/8061
				D24/155
D766,437 S *	9/2016	DaCosta	D24/155
D766,438 S *	9/2016	DaCosta	D24/155
D766,439 S *	9/2016	DaCosta	D24/155

D780,924 S *	3/2017	DaCosta	D24/155
D780,925 S *	3/2017	DaCosta	D24/155
D780,926 S *	3/2017	DaCosta	D24/155
D785,798 S *	5/2017	Kohler	D24/155
D786,435 S *	5/2017	Kohler	D24/155
D814,635 S *	4/2018	Asfora	D24/155
D829,910 S *	10/2018	Horton	D24/155
D877,905 S *	3/2020	Linder	D24/155
D928,322 S *	8/2021	Mason	D24/155

* cited by examiner

Primary Examiner — Charles D Hanson

(74) *Attorney, Agent, or Firm* — C. Brandon Browning; Maynard, Cooper & Gale, PC

(57) **CLAIM**

The ornamental design for a cervical plate implant, as shown and described herein.

DESCRIPTION

FIG. 1 is a perspective view of a top surface a cervical plate implant showing my new design.

FIG. 2 is a perspective view of a bottom surface of the implant of FIG. 1

FIG. 3 is an elevational view of a first lateral side of the implant of FIG. 1.

FIG. 4 is an elevational view of a second lateral side of the implant of FIG. 1.

FIG. 5 is an elevational view of a first end of the implant of FIG. 1.

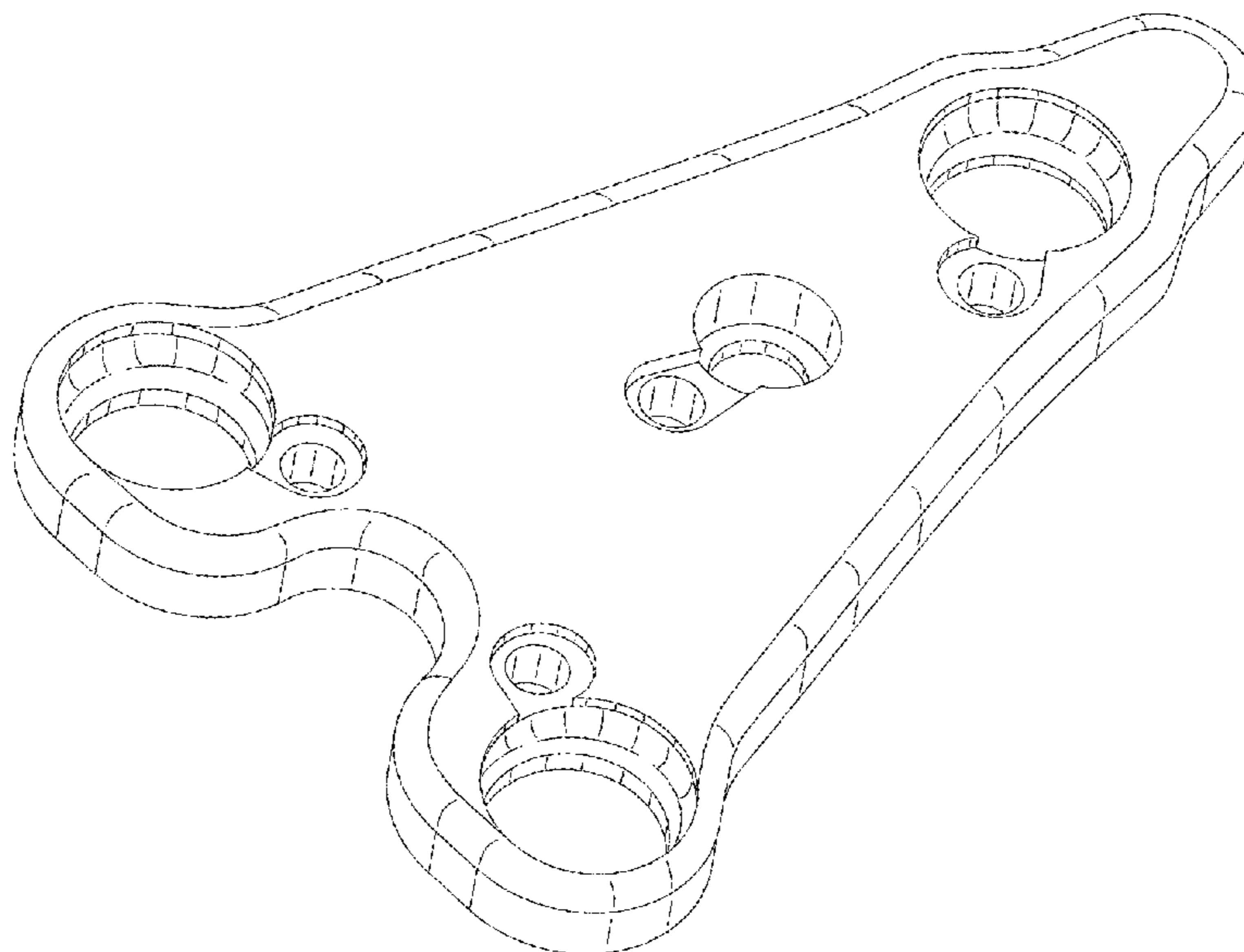
FIG. 6 is an elevational view of a second end of the implant of FIG. 1.

FIG. 7 depicts the top surface of the implant of FIG. 1.

FIG. 8 depicts the bottom surface of the implant of FIG. 1; and,

FIG. 9 is an exploded perspective view of the top surface of the implant of FIG.1 showing in dashed lines the placement of anti-migration members, which anti-migration members form no part of the claim.

1 Claim, 4 Drawing Sheets



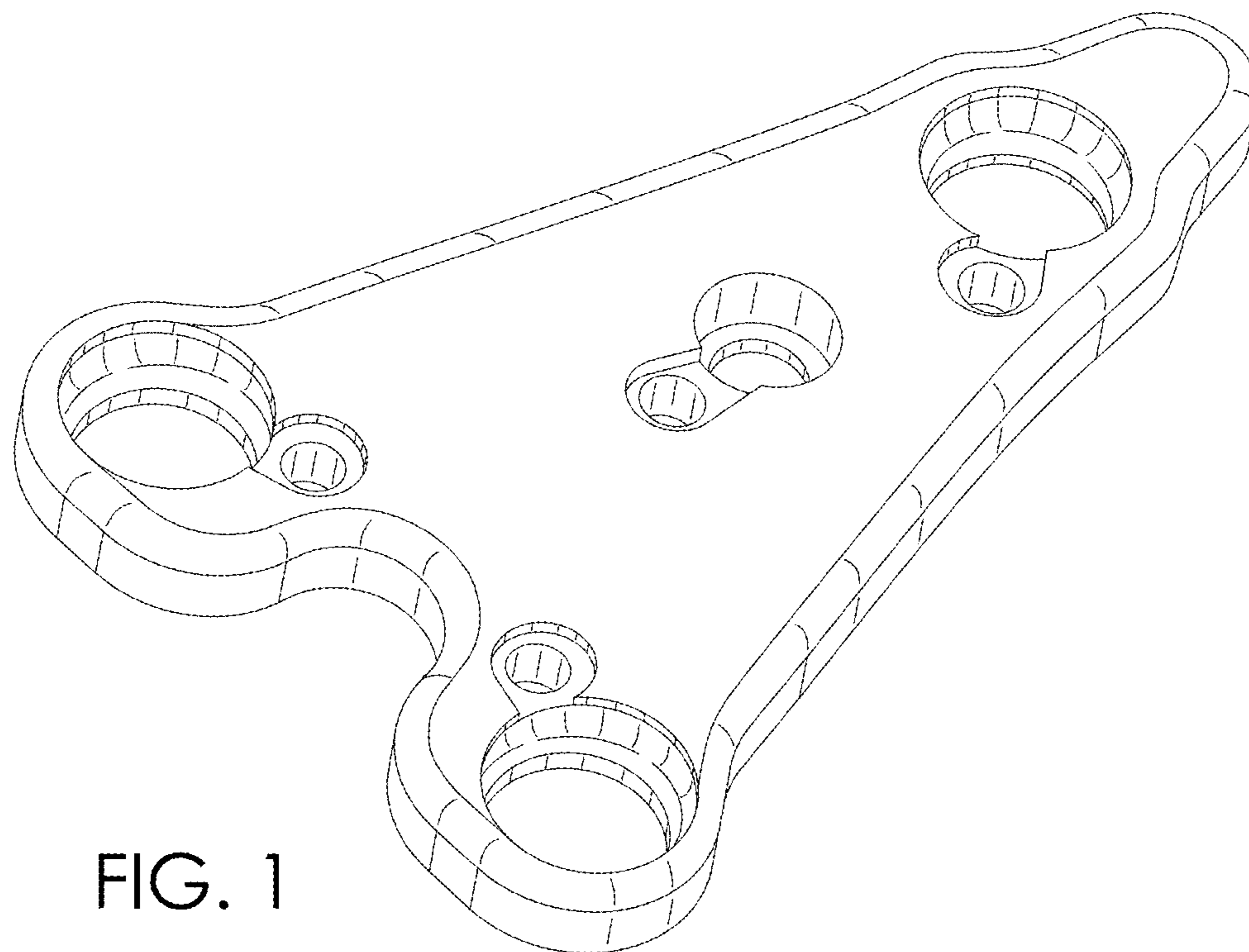


FIG. 1

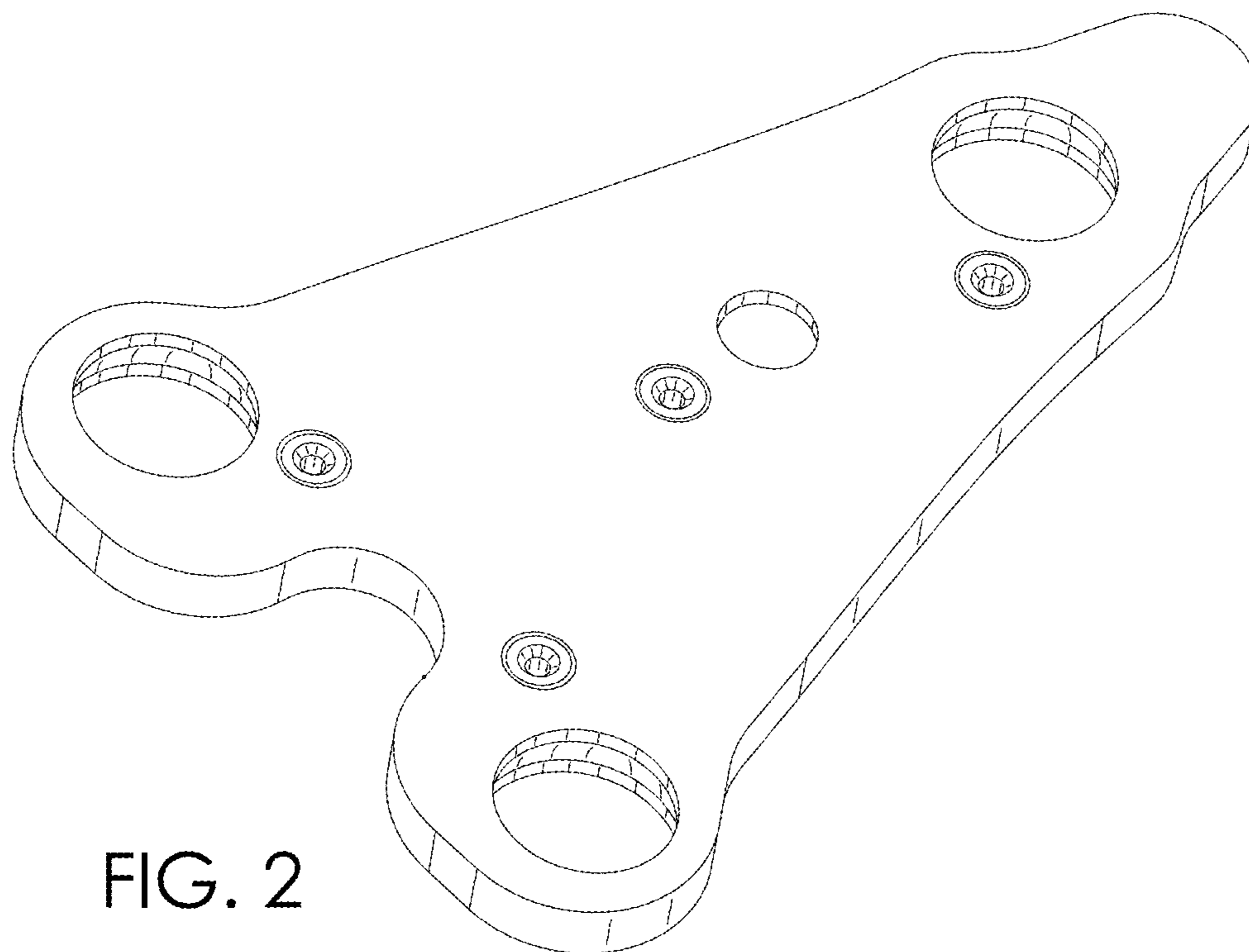


FIG. 2

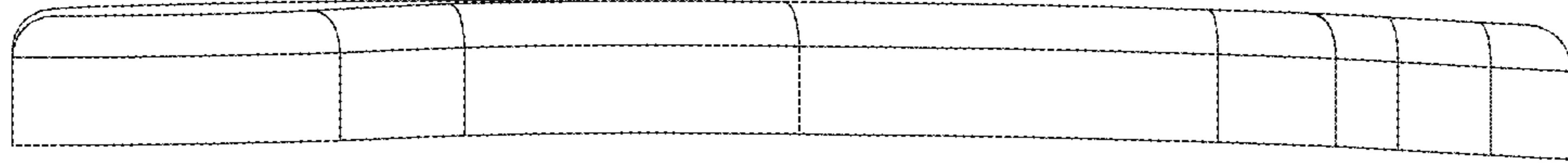


FIG. 3

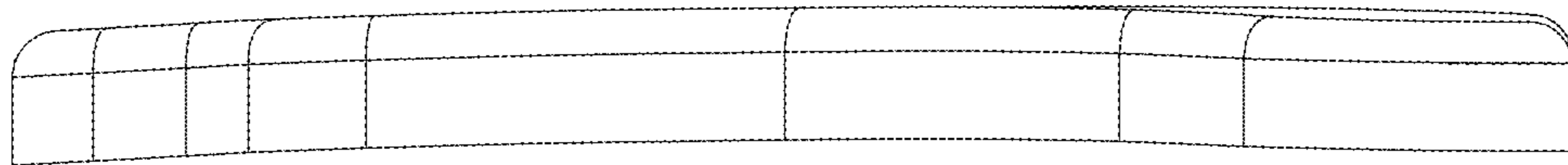


FIG. 4

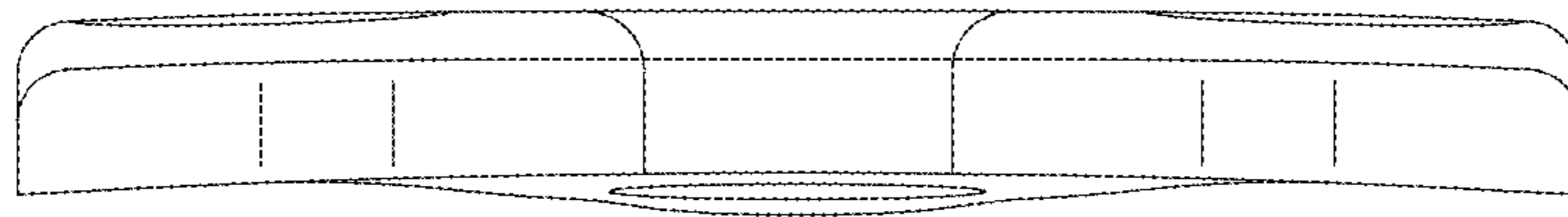


FIG. 5

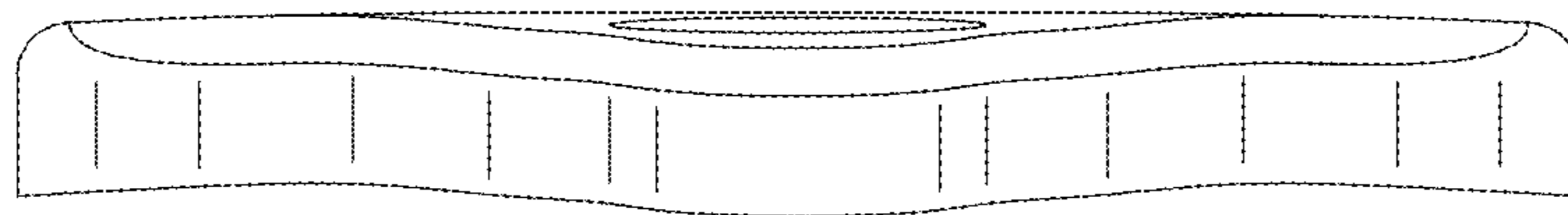


FIG. 6

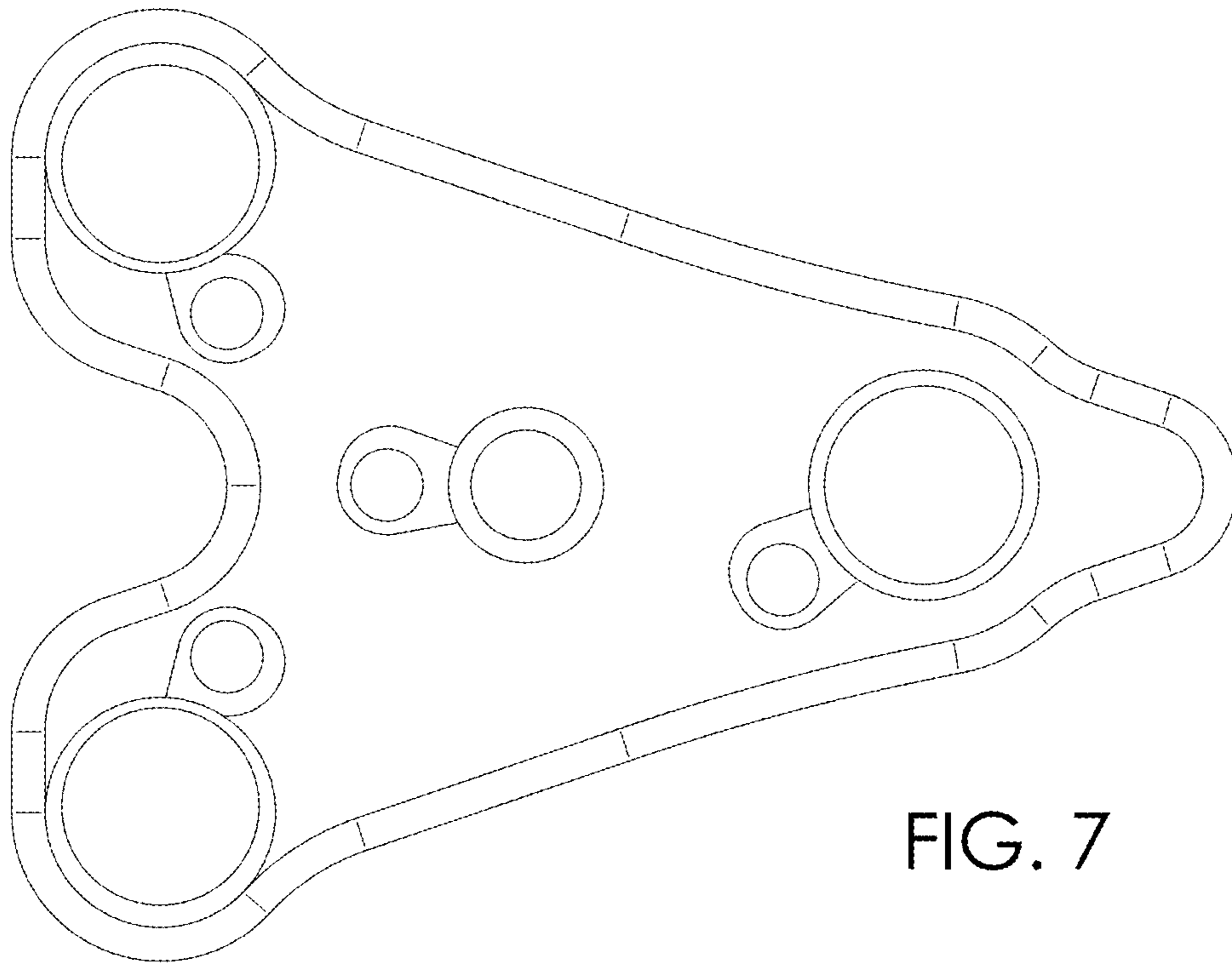


FIG. 7

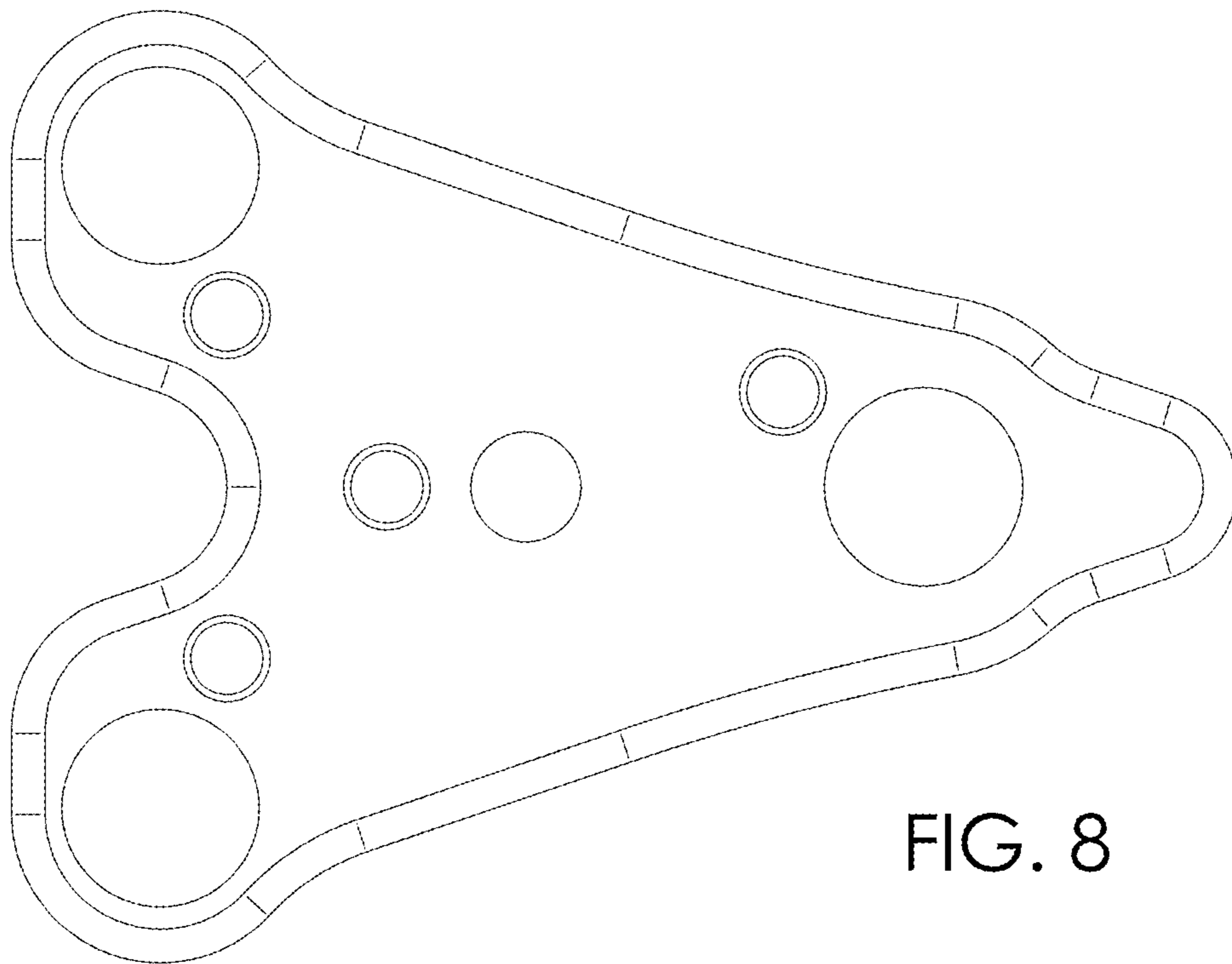


FIG. 8

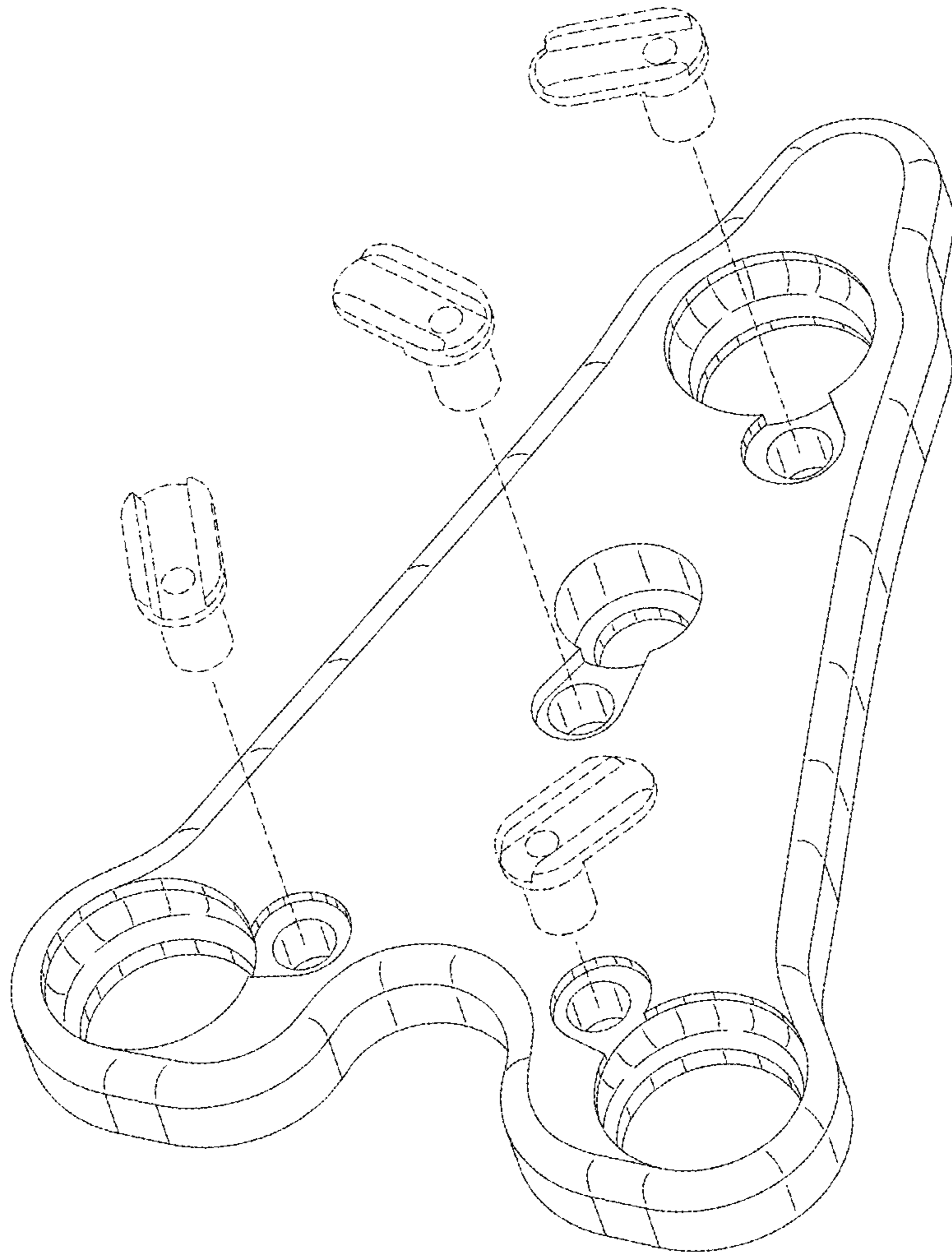


FIG. 9