



US00D972138S

(12) **United States Design Patent** (10) **Patent No.:** **US D972,138 S**
Holderby et al. (45) **Date of Patent:** **** Dec. 6, 2022**

(54) **INTRAOCULAR LENS INSERTION DEVICE**

(56) **References Cited**

(71) Applicant: **Alcon Inc.**, Fribourg (CH)
(72) Inventors: **Victoria Holderby**, Fort Worth, TX (US); **Aaron Mays**, Fort Worth, TX (US); **Simon Peter Warnos**, Kalamazoo, MI (US)

U.S. PATENT DOCUMENTS

D441,447 S *	5/2001	Hjertman	D24/146
D747,806 S *	1/2016	Wargner	D24/150
D752,748 S *	3/2016	Van Dalen	D24/150
D795,427 S *	8/2017	Korenfeld	D24/150
D841,164 S *	2/2019	Flowers	D24/150
D933,225 S *	10/2021	Marsteller	D24/150
D933,226 S *	10/2021	Marsteller	D24/150
11,344,406 B2 *	5/2022	Wu	A61F 2/167
2020/0015960 A1 *	1/2020	Holderby	A61F 2/167

(73) Assignee: **Alcon Inc.**, Fribourg (CH)

(**) Term: **15 Years**

* cited by examiner

(21) Appl. No.: **35/512,477**

Primary Examiner — Samantha Q Lawrence

(22) Filed: **Mar. 1, 2021**

(57) **CLAIM**

The ornamental design for an intraocular lens insertion device, as shown and described.

(80) **Hague Agreement Data**

DESCRIPTION

Int. Filing Date: **Mar. 1, 2021**

1. Intraocular lens insertion device
Figure 1.1 is a perspective view of an intraocular lens insertion device;
Figure 1.2 is a front view thereof;
Figure 1.3 is a back view thereof;
Figure 1.4 is a side view thereof;
Figure 1.5 is another side view thereof;
Figure 1.6 is a top view thereof;
Figure 1.7 is a bottom view thereof; and
Figure 1.8 is a rear perspective view thereof.
The broken lines shown in Figures 1.2 and 1.3 illustrate portions of the intraocular lens insertion device that form no part of the claimed design.

Int. Reg. No.: **DM/215077**

Int. Reg. Date: **Mar. 1, 2021**

Int. Reg. Pub. Date: **Sep. 3, 2021**

(51) **LOC (13) Cl.** **24-02**

(52) **U.S. Cl.**
USPC **D24/150**

(58) **Field of Classification Search**

USPC D24/144, 146, 147, 150, 172

CPC A61F 9/00709; A61F 2009/00885; A61F

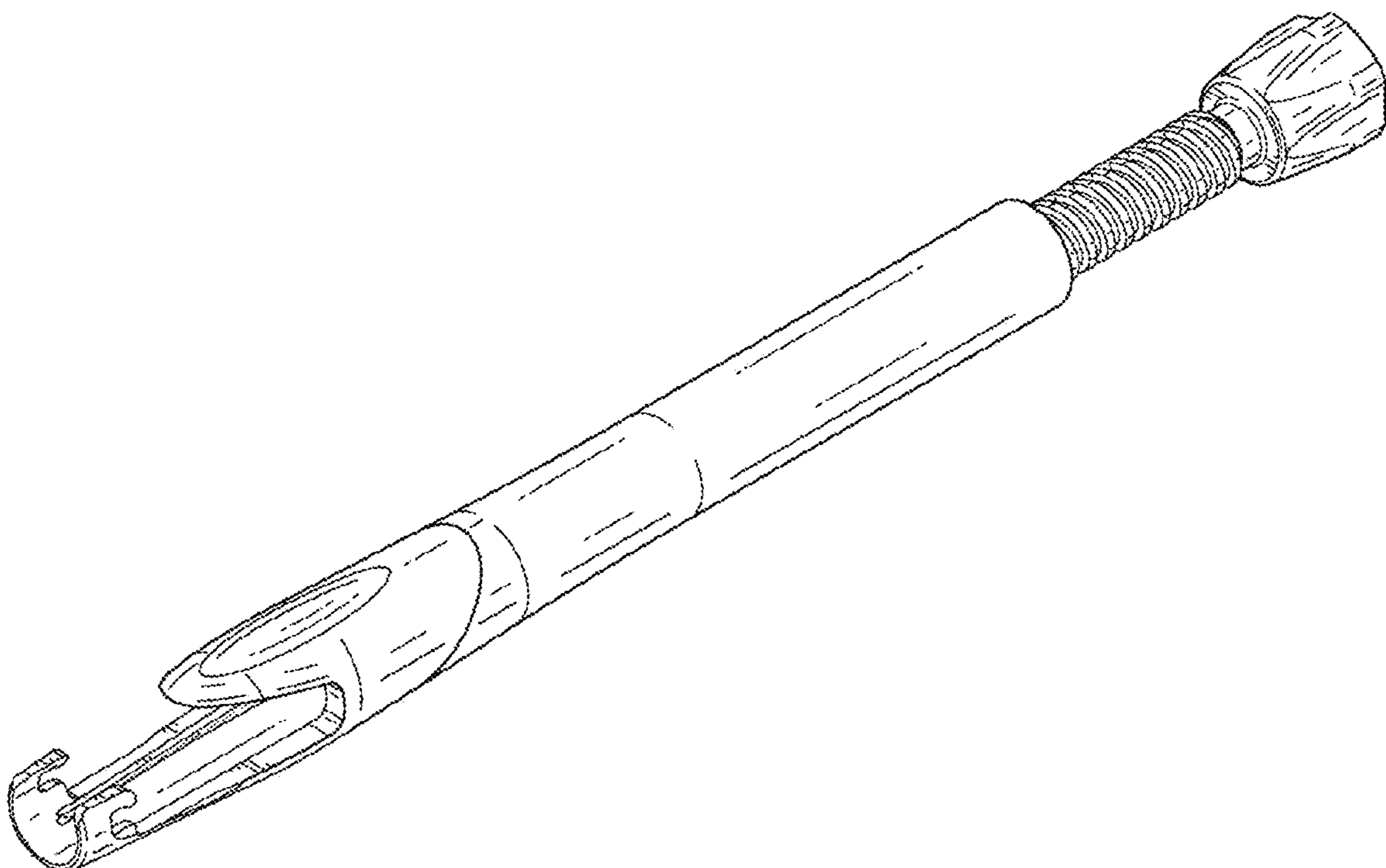
2009/00887; A61F 2009/00889; A61F

9/00825; A61F 2009/00872; A61F 2/167;

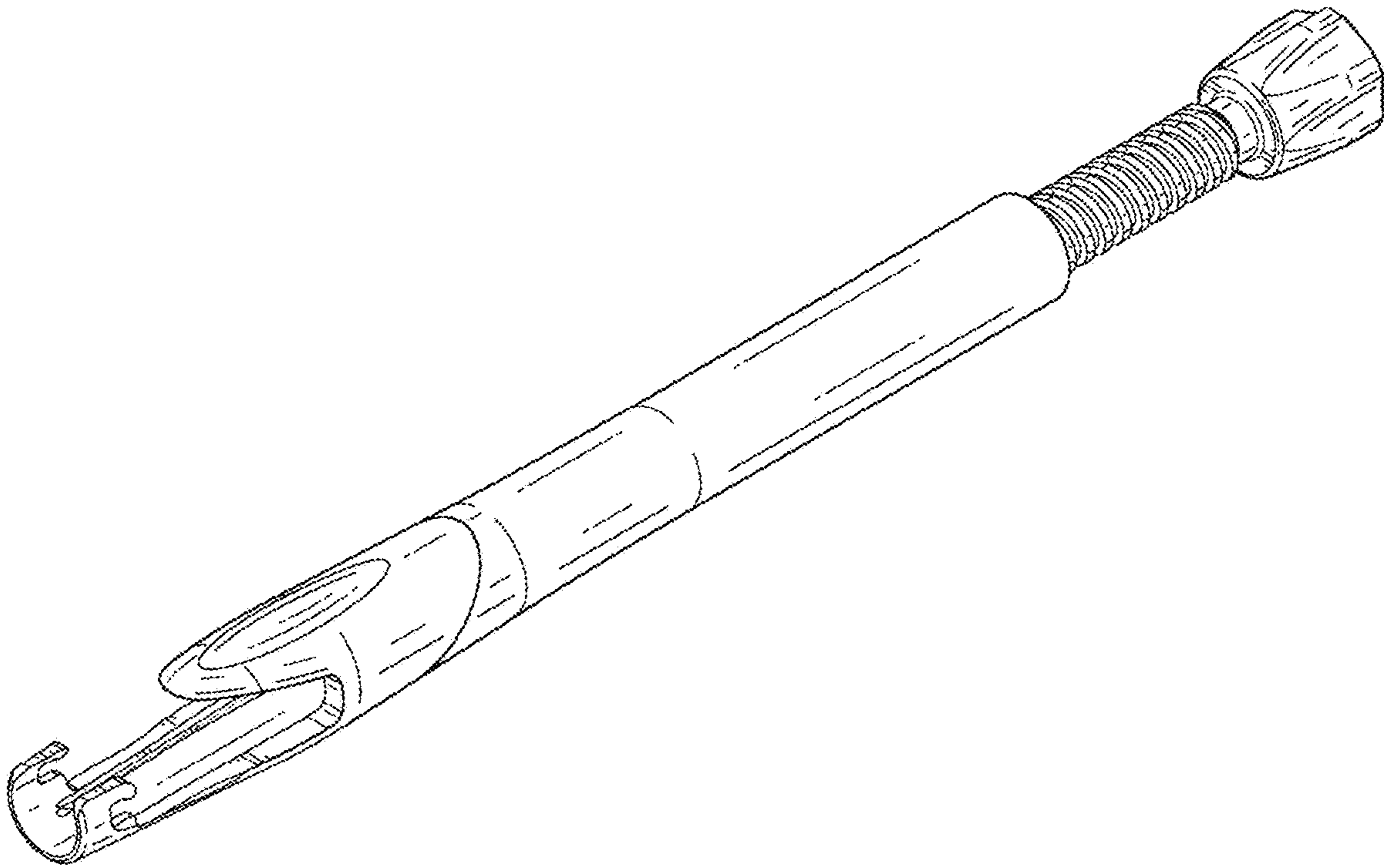
A61B 17/3211; A61B 17/32

See application file for complete search history.

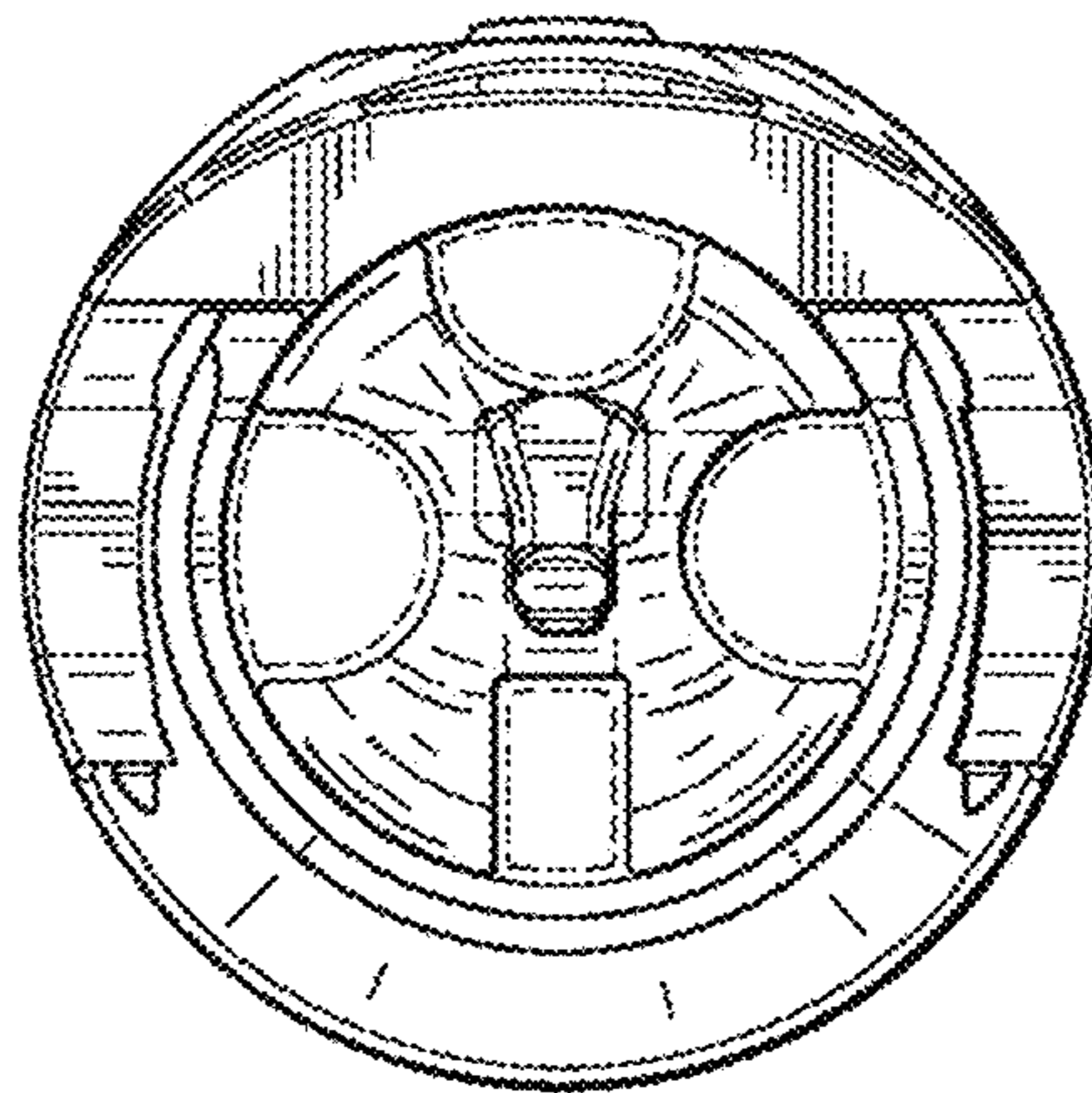
1 Claim, 8 Drawing Sheets



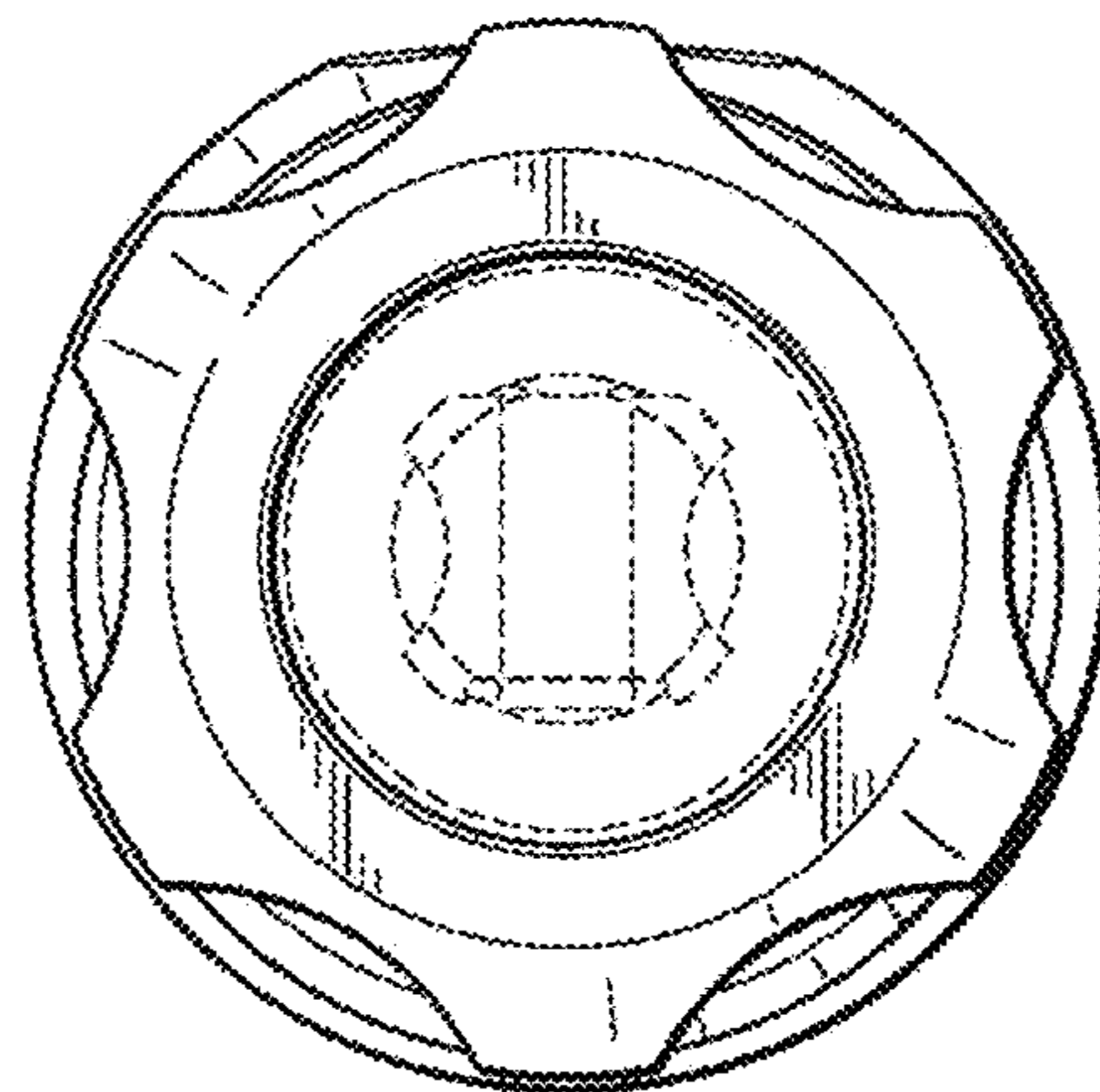
1.1



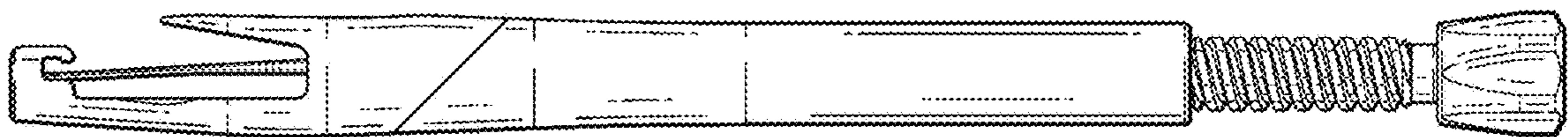
1.2



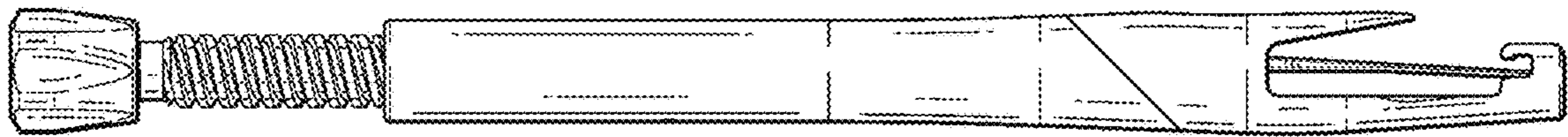
1.3



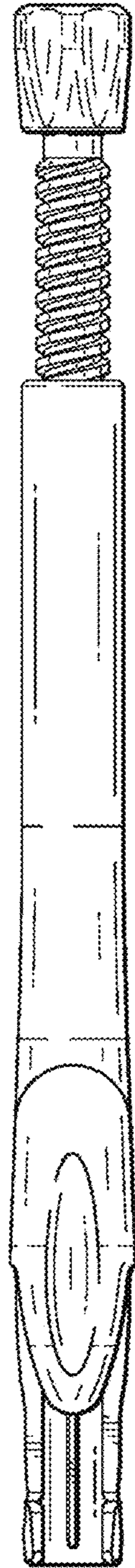
1.4



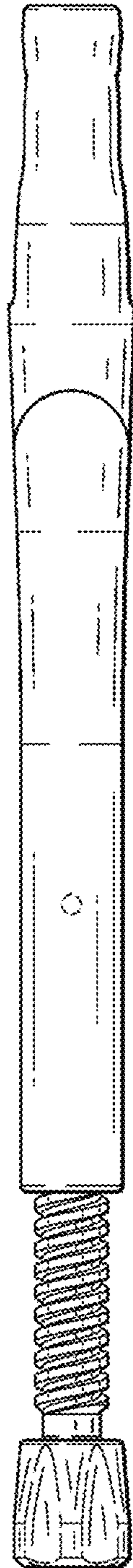
1.5



1.6



1.7



1.8

