

US00D972136S

(12) **United States Design Patent** (10) **Patent No.:** **US D972,136 S**
Levy (45) **Date of Patent:** **** Dec. 6, 2022**

(54) **HAND HELD COSMETIC DEVICE**
(71) Applicant: **DD Karma LLC**, Chicago, IL (US)
(72) Inventor: **Dara Levy**, Highland Park, IL (US)
(73) Assignee: **DD Karma LLC**, Chicago, IL (US)
(**) Term: **15 Years**

D893,030 S 8/2020 Helfenbaum
D908,233 S 1/2021 Zhou
D921,915 S 6/2021 Luo et al.
D922,598 S 6/2021 Levy
D922,710 S 6/2021 Dickson et al.
D935,612 S * 11/2021 Levy D24/146
2015/0100002 A1 4/2015 Choi
2016/0166273 A1 6/2016 Levy
2018/0256192 A1 9/2018 Levy

(21) Appl. No.: **29/732,774**
(22) Filed: **Apr. 27, 2020**
(51) **LOC (13) Cl.** **24-02**
(52) **U.S. Cl.**
USPC **D24/146**; D28/44.1; D24/215
(58) **Field of Classification Search**
USPC D28/9, 44.1, 45, 52-54, 99; D24/133,
D24/135, 136, 146-147, 200, 209, 214,
D24/215; D7/688, 693; D19/108-110;
D20/22, 27
CPC A61B 17/32; A61N 5/0616; A45D
2200/207; A45D 2200/25; A45D 44/22
See application file for complete search history.

OTHER PUBLICATIONS

[No Author Listed] Dermaflash One. Dermaflash. www.dermaflash.com/product/dermaflash-one/ publicly available prior to Apr. 27, 2020, 2 pages.
[No Author Listed] Ho to Use Dermapore. YouTube Channel: Dermaflash. https://www.youtube.com/watch?v=uJ4Ez4LdDnO. Uploaded Aug. 7, 2019, 3 pages.

* cited by examiner

Primary Examiner — Alison M Ofstun
(74) *Attorney, Agent, or Firm* — Wolf, Greenfield & Sacks, P.C.

(56) **References Cited**

U.S. PATENT DOCUMENTS

2,111,645 A * 3/1938 Slutzky A61C 13/20
433/32
3,776,240 A * 12/1973 Woodson A61B 17/42
606/119
D256,317 S * 8/1980 Marquart, Sr. D7/693
D369,407 S * 4/1996 Smith D24/136
D480,754 S * 10/2003 Berger D19/1
D576,277 S * 9/2008 Oren D24/133
D631,307 S * 1/2011 Corcoran D7/688
D641,875 S 7/2011 Eichel et al.
D666,667 S * 9/2012 Present D19/110
D831,211 S 10/2018 Choi
D857,294 S 8/2019 Levy
D859,987 S * 9/2019 Kravchenko D9/447
D882,807 S 4/2020 Xiong

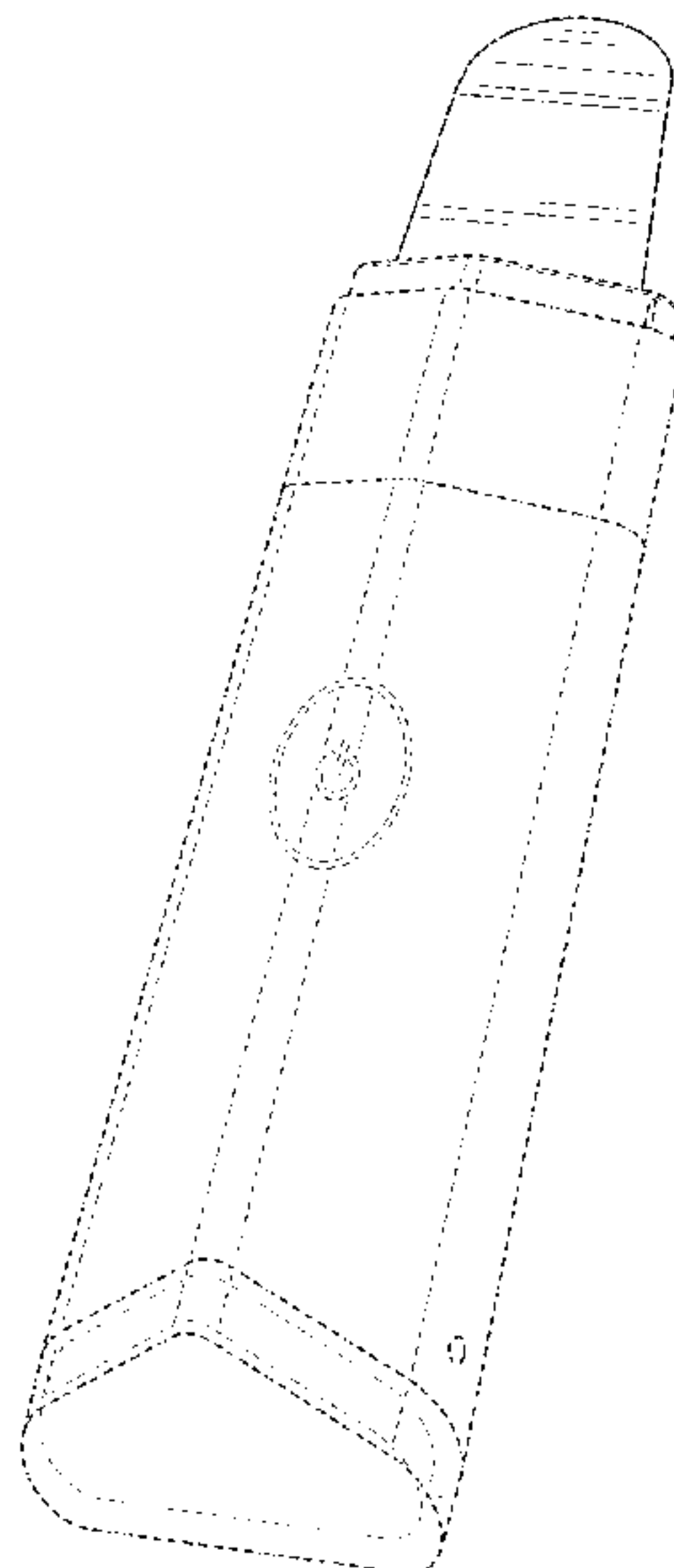
(57) **CLAIM**

The ornamental design for a hand held cosmetic device, as shown and described.

DESCRIPTION

FIG. 1 is a bottom, front, right side perspective view of a hand held cosmetic device according to my new design; FIG. 2 is a front elevation view thereof; FIG. 3 is a rear elevation view thereof; FIG. 4 is a left side elevation view thereof; FIG. 5 is a right side elevation thereof; FIG. 6 is a top plan view thereof; and, FIG. 7 is a bottom plan view thereof. The dash-dash broken lines depict portions of the hand held cosmetic device that form no part of the claimed design.

1 Claim, 5 Drawing Sheets



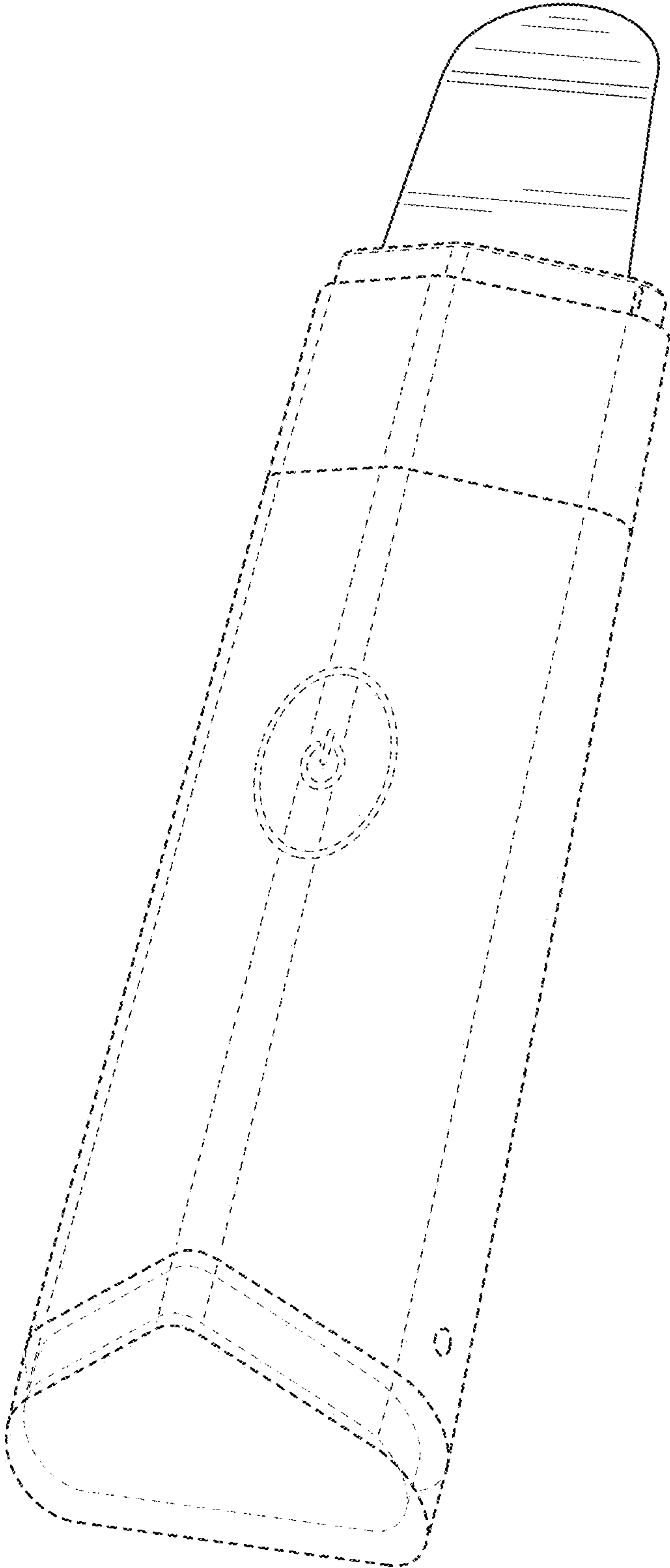


FIG. 1

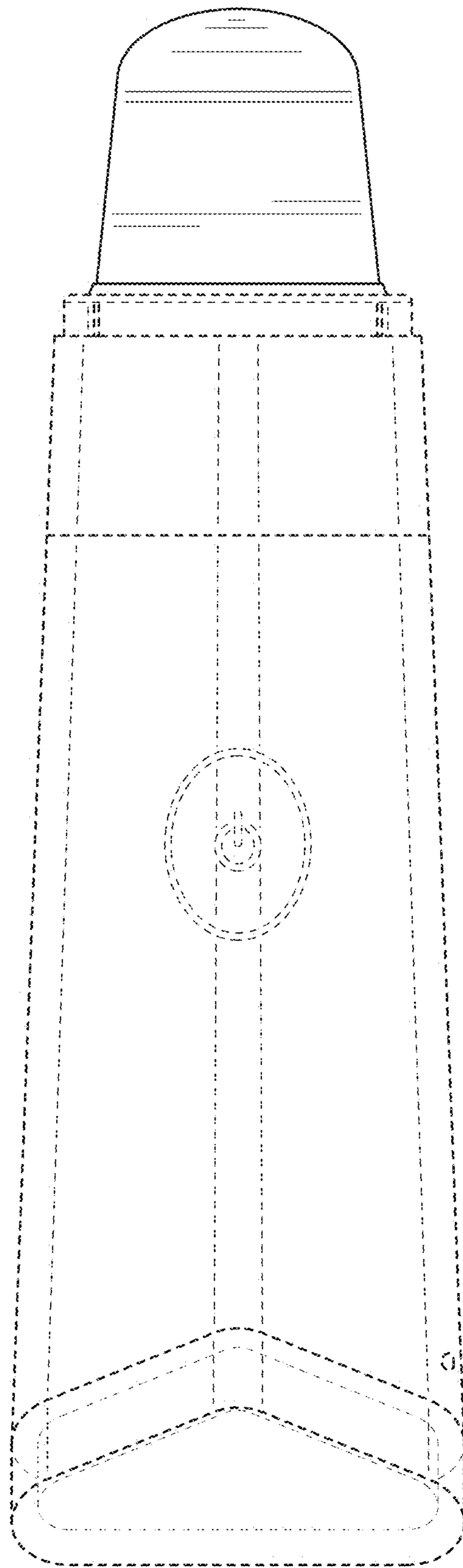


FIG. 2

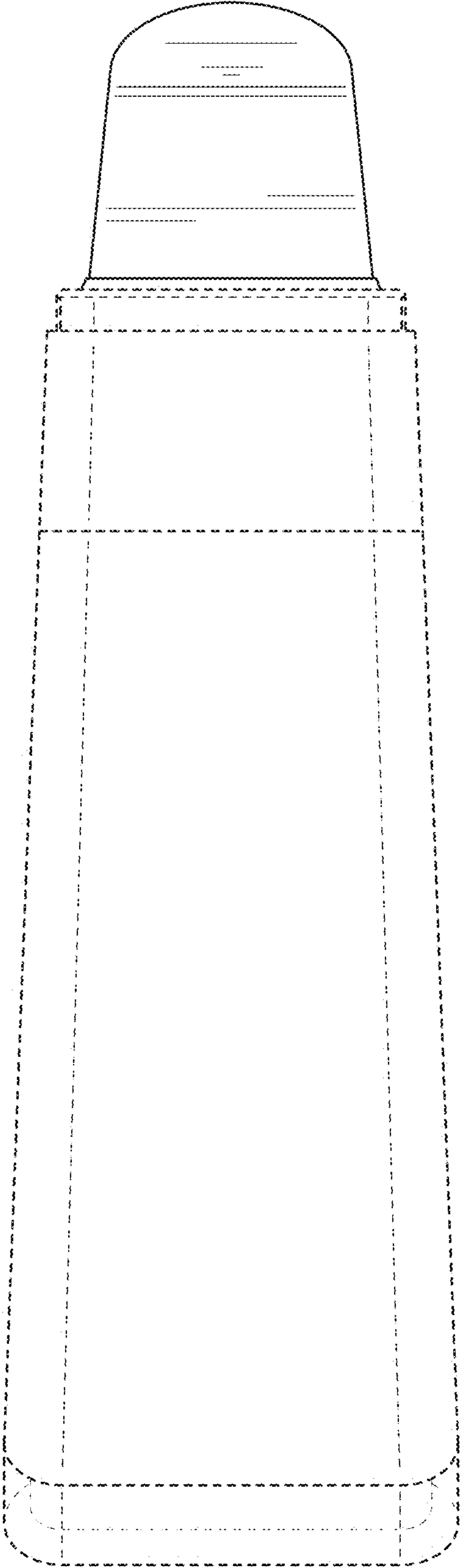


FIG. 3

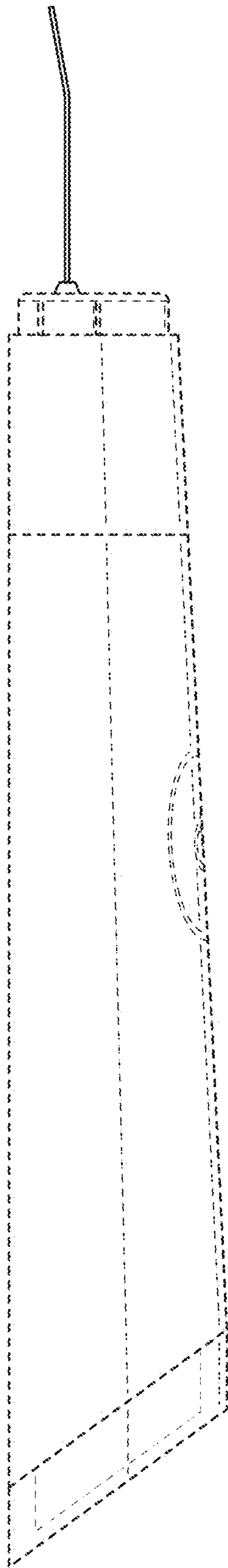


FIG. 4

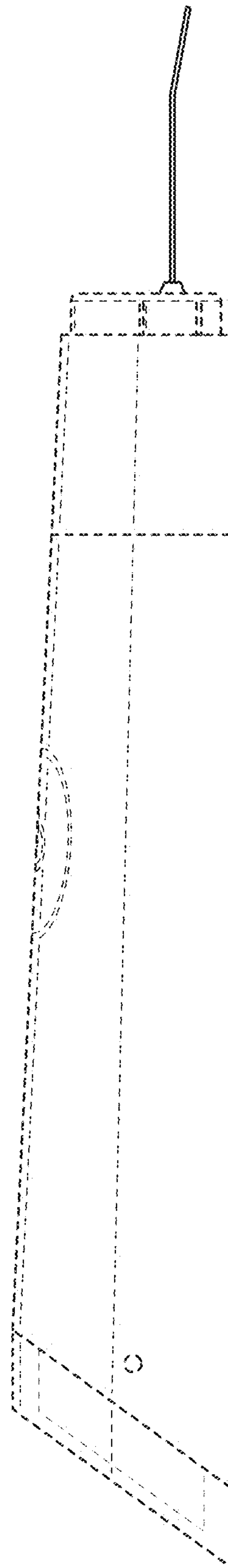


FIG. 5

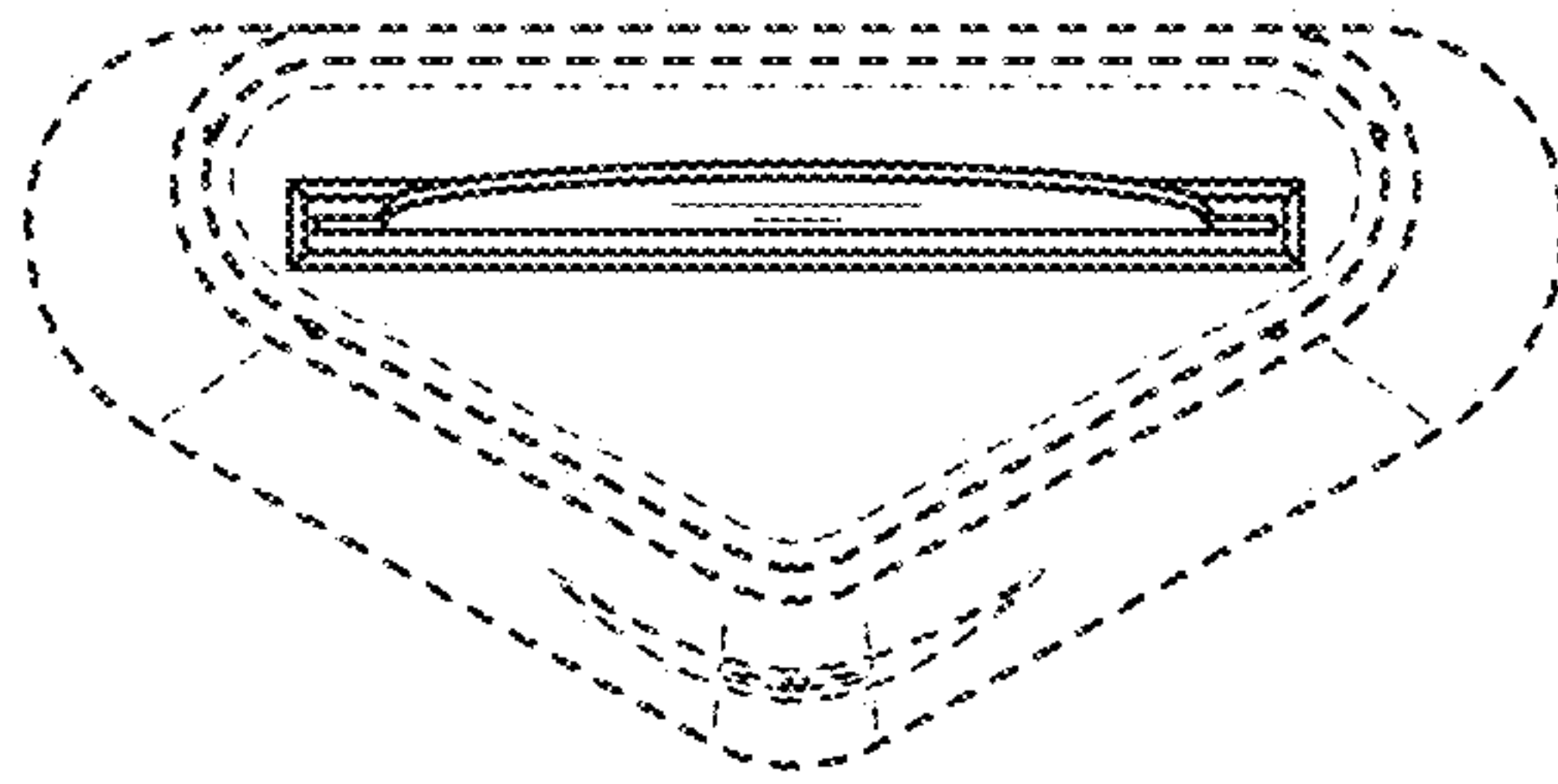


FIG. 6

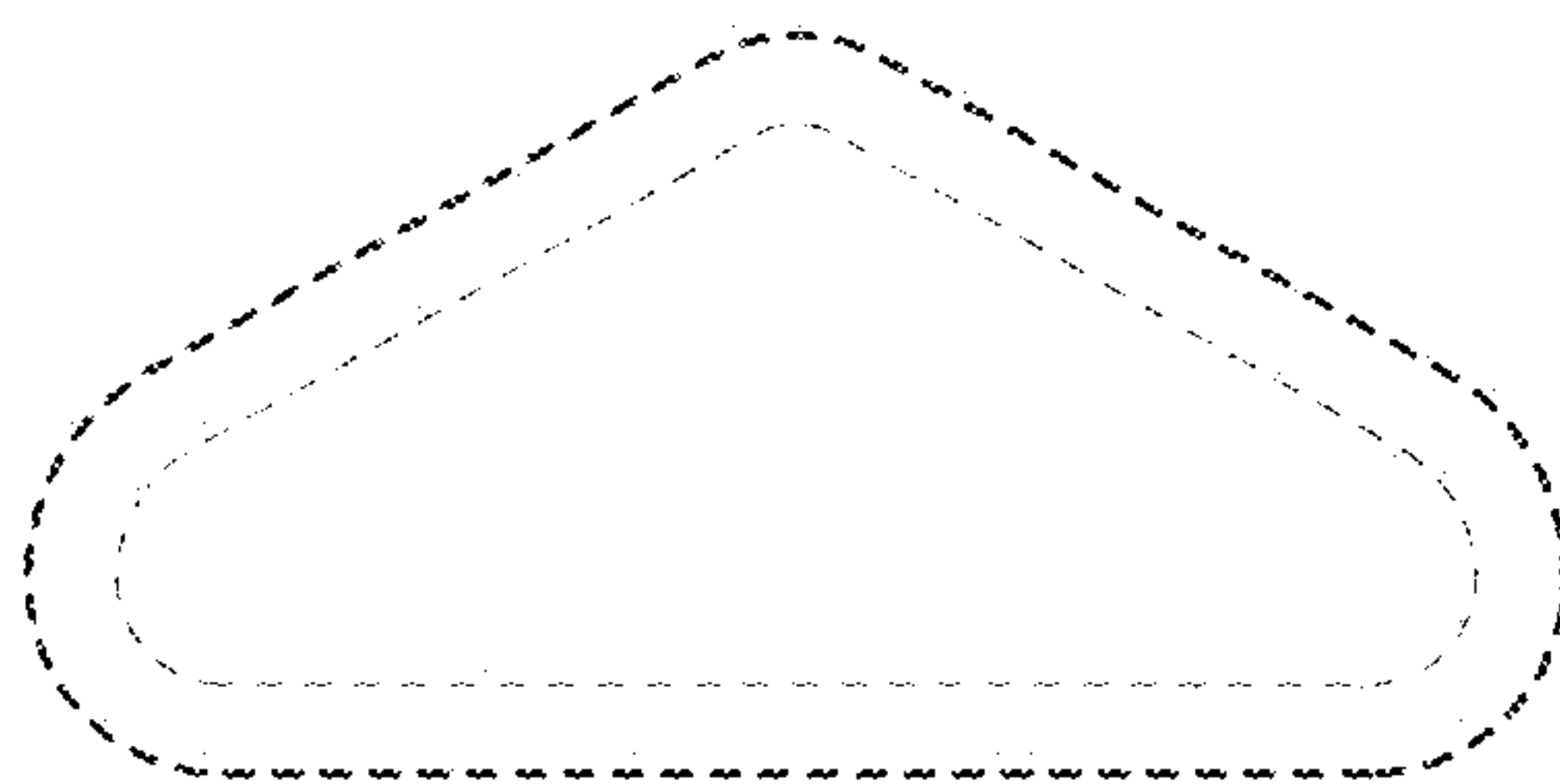


FIG. 7