



US00D972135S

(12) **United States Design Patent**
Ghoniem

(10) **Patent No.:** **US D972,135 S**

(45) **Date of Patent:** **** Dec. 6, 2022**

(54) **DEVICE FOR TREATING OVERACTIVE BLADDER**

(71) Applicant: **The Regents of the University of California, Oakland, CA (US)**

(72) Inventor: **Gamal Ghoniem, Aliso Viejo, CA (US)**

(73) Assignee: **The Regents of the University of California, Oakland, CA (US)**

(**) Term: **15 Years**

(21) Appl. No.: **29/764,989**

(22) Filed: **Jan. 5, 2021**

Related U.S. Application Data

(60) Continuation of application No. 15/151,223, filed on May 10, 2016, now abandoned, which is a division of application No. 14/029,467, filed on Sep. 17, 2013, now Pat. No. 9,339,329.

(51) **LOC (13) Cl.** **24-02**

(52) **U.S. Cl.**
USPC **D24/144**

(58) **Field of Classification Search**
USPC D24/141, 140, 107, 144
CPC A61F 2/005; A61F 2/0054; A61F 2/042;
A61F 2007/0048; A61F 2007/0028; A61F
7/007; A61B 18/1485; A61B 18/1477;
A61B 18/1492; A61B 2018/00517; A61B
2018/00523; A61B 18/14; A61B 18/04;
A61B 18/08; A61B 18/082; A61N
1/0521; A61N 1/05
See application file for complete search history.

(56) **References Cited**

U.S. PATENT DOCUMENTS

D304,760 S * 11/1989 Curtis D24/141
4,949,718 A * 8/1990 Neuwirth A61B 18/08
607/105

5,501,681 A * 3/1996 Neuwirth A61B 18/08
607/104
6,066,132 A * 5/2000 Chen A61B 18/08
607/113
9,339,329 B2 * 5/2016 Ghoniem A61B 18/1477
D824,028 S * 7/2018 Alinsod A61B 18/1485
D24/144
2001/0018585 A1 * 8/2001 McGovern A61B 18/1485
606/41
2013/0090648 A1 * 4/2013 Nagale A61B 18/1485
606/1
2015/0164401 A1 * 6/2015 Toth A61B 18/1485
606/41
2016/0249976 A1 * 9/2016 Ghoniem A61B 18/1485
606/41
2017/0319235 A1 * 11/2017 Whitbrook A61B 18/1485
2018/0214304 A1 * 8/2018 Atkinson A61F 7/02

* cited by examiner

Primary Examiner — Wan Laymon

(74) *Attorney, Agent, or Firm* — Brooks Kushman P.C.

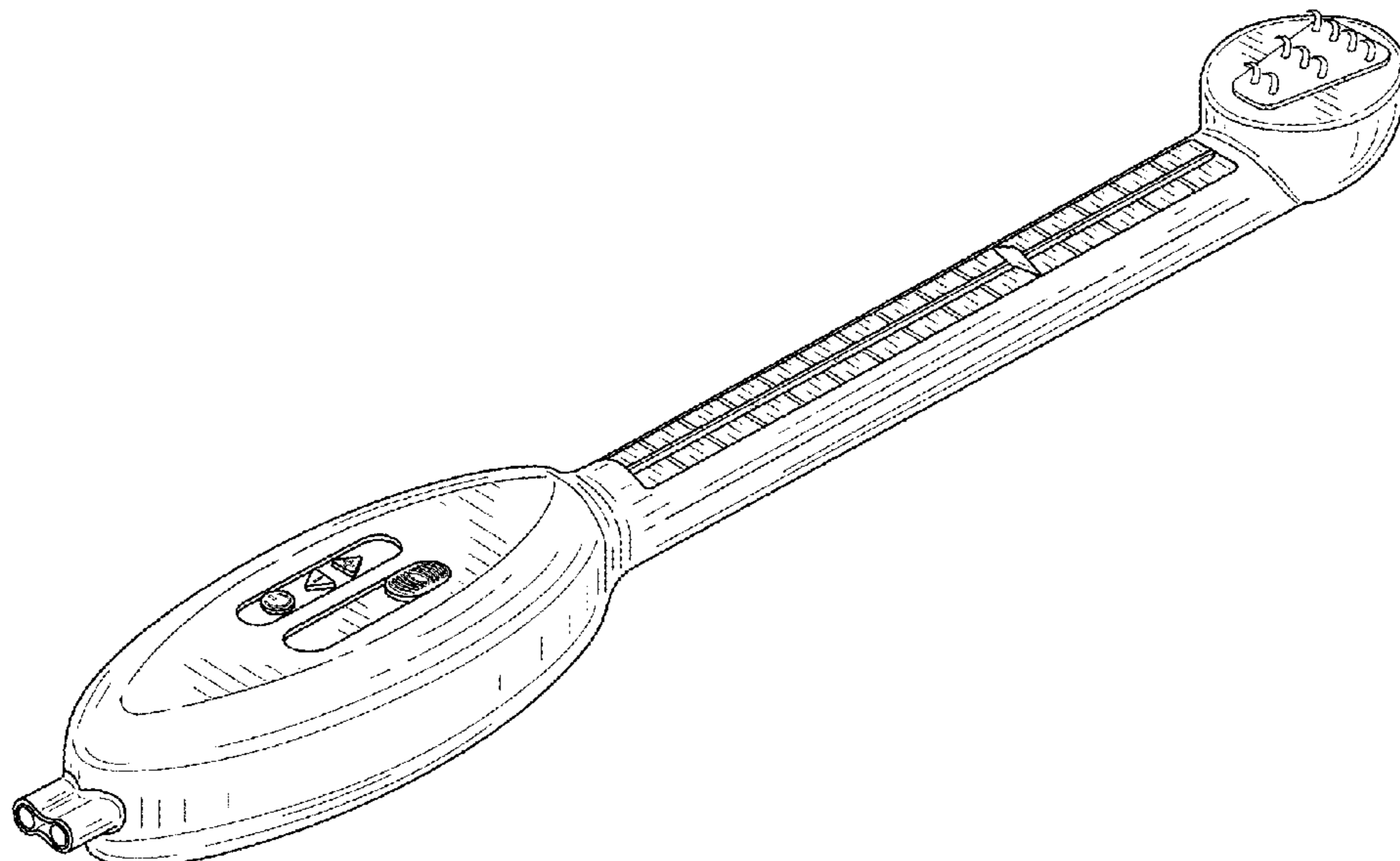
(57) **CLAIM**

The ornamental design for a device for treating overactive bladder, as shown and described.

DESCRIPTION

FIG. 1 is a right perspective view of a device for treating overactive bladder of this invention;
FIG. 2 is an enlarged view of the distal portion of the device of FIG. 1;
FIG. 3 is an enlarged view of the proximal portion of the device of FIG. 1;
FIG. 4 is a top plan view drawing of the device of FIG. 1;
FIG. 5 is a side view of the device of FIG. 1; and,
FIG. 6 is a front view of the device.

1 Claim, 4 Drawing Sheets



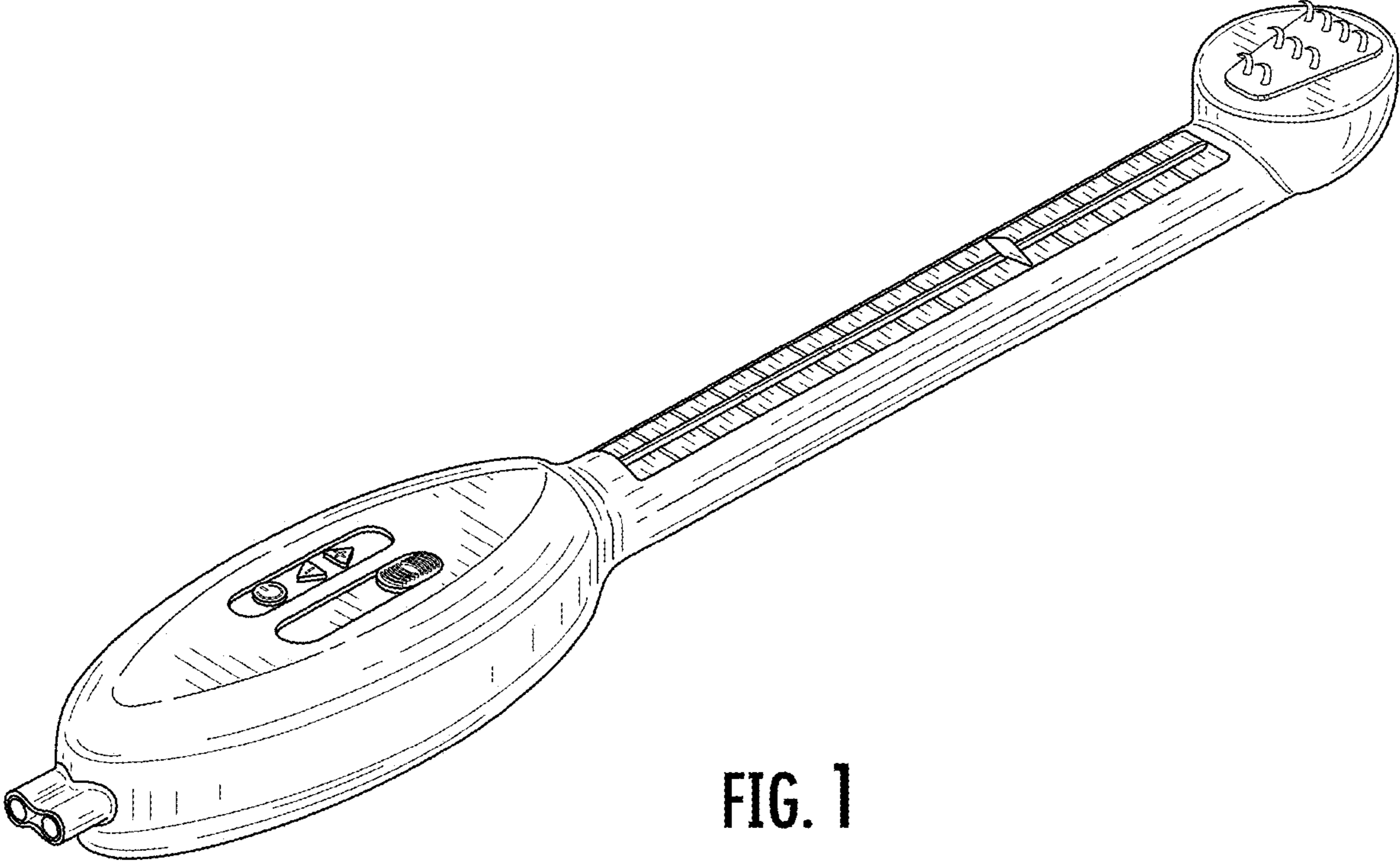


FIG. 1

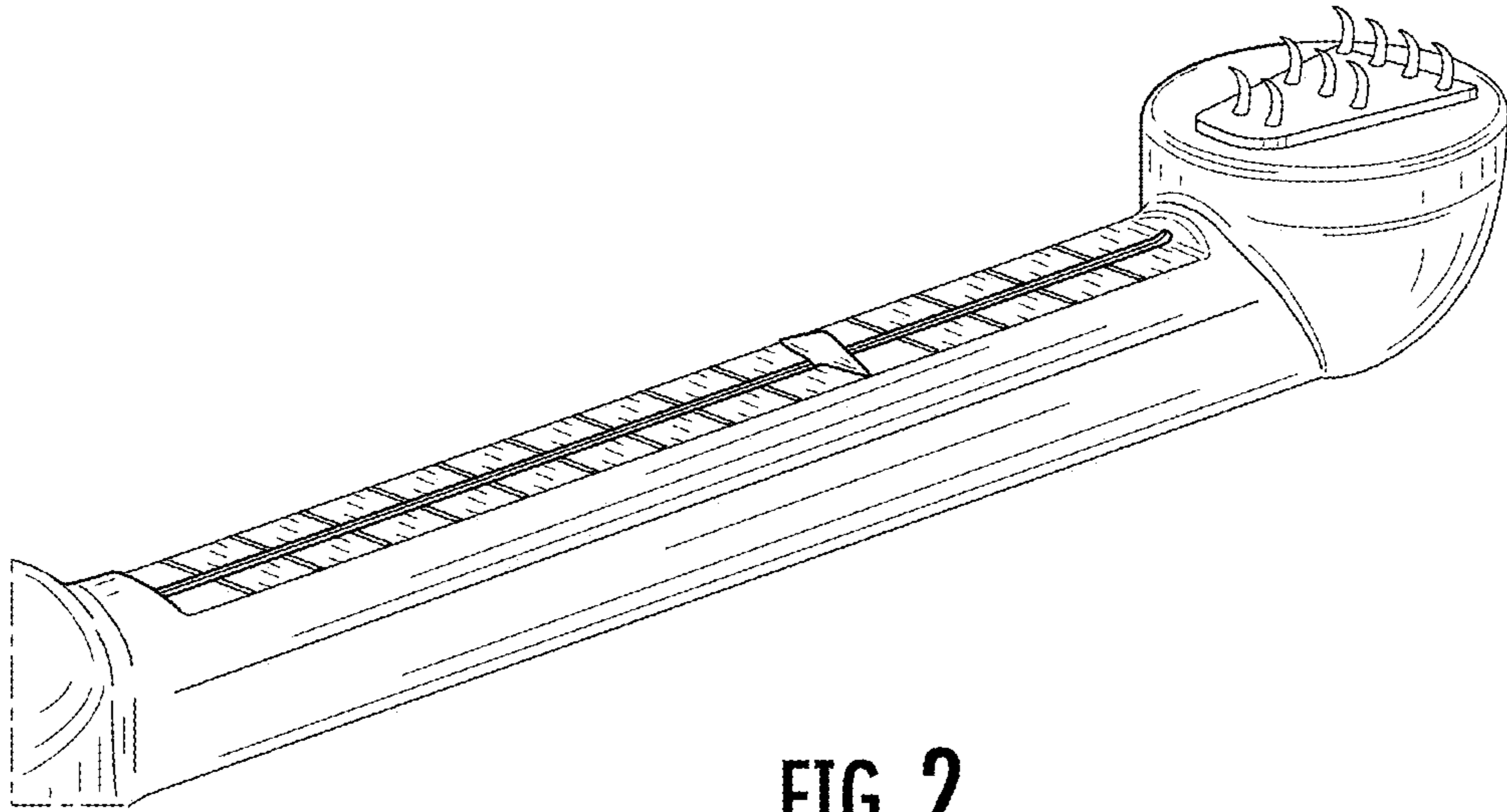


FIG. 2

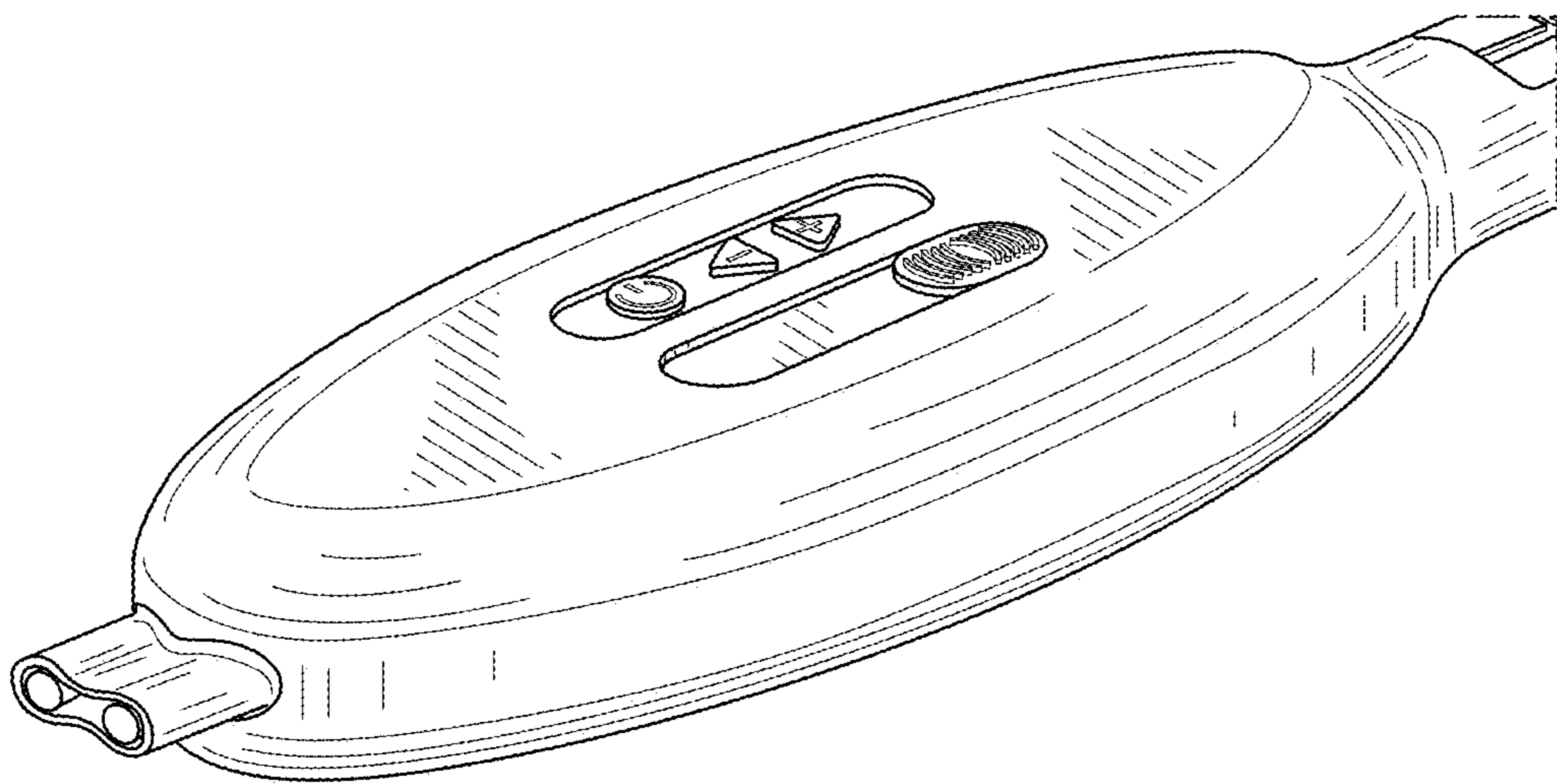


FIG. 3

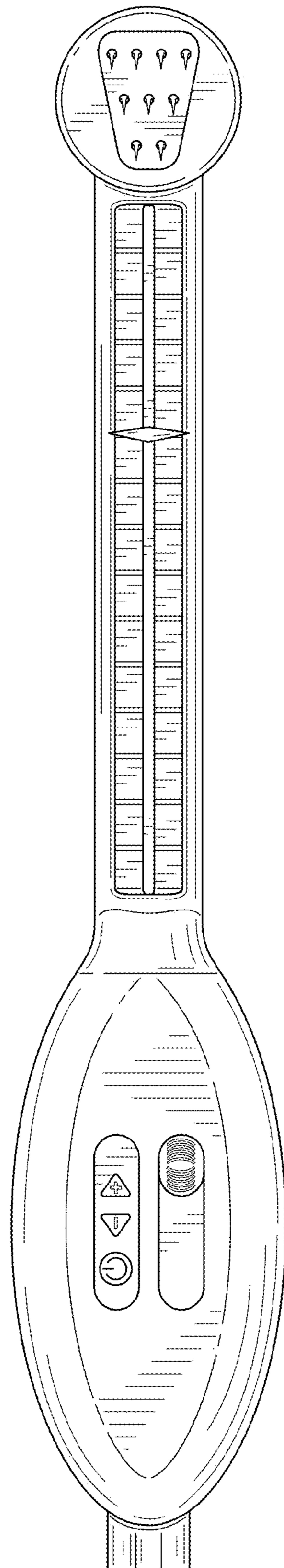


FIG. 4

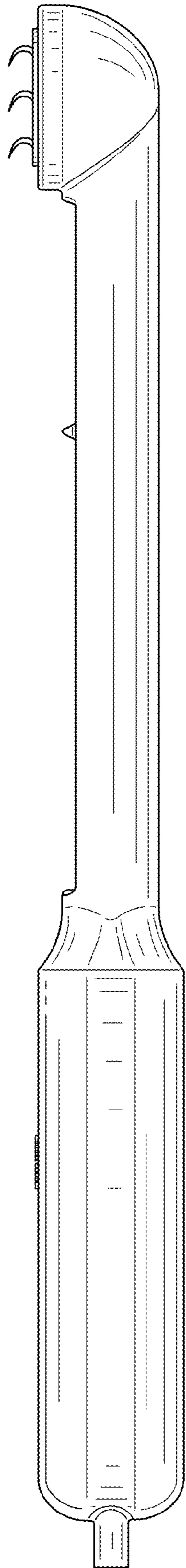


FIG. 5

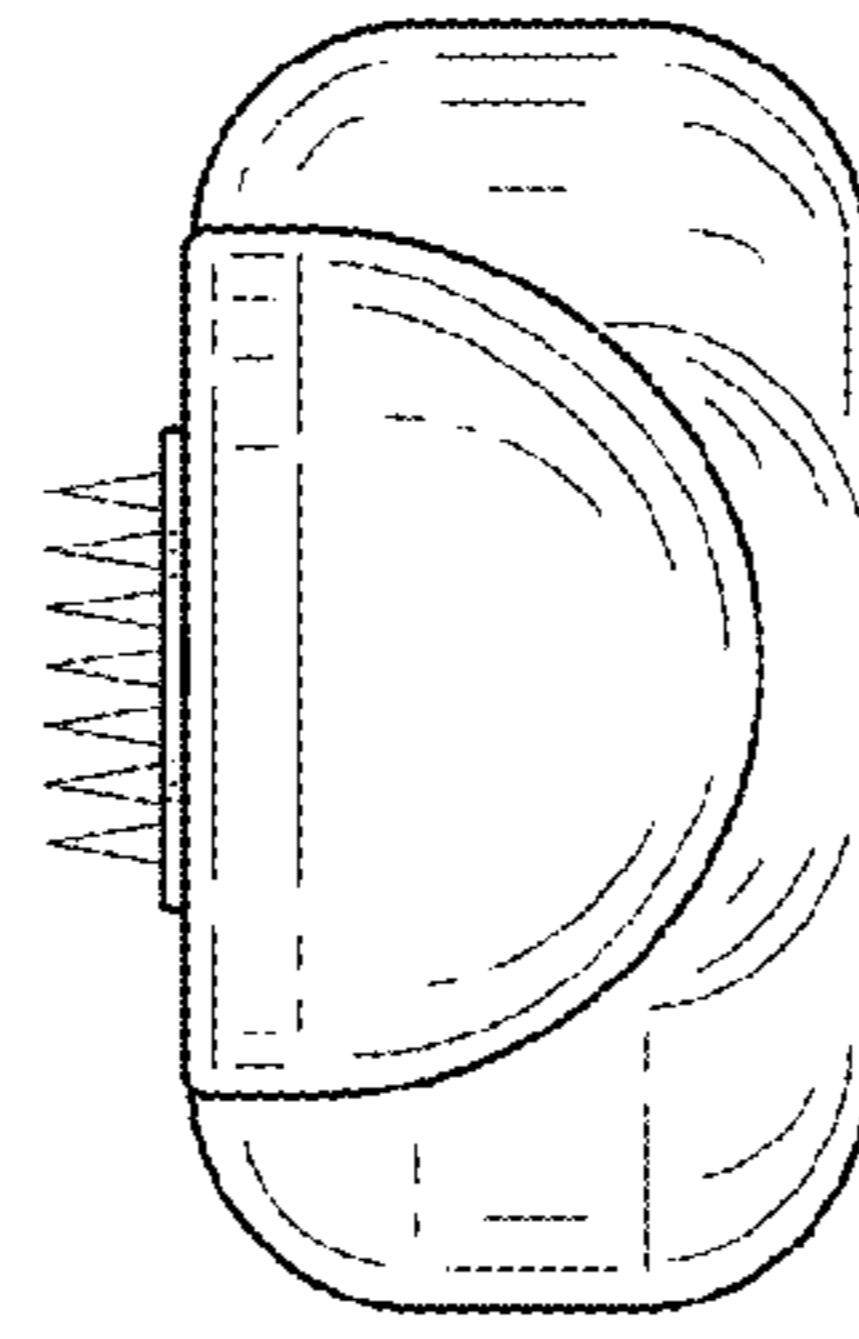


FIG. 6