



US00D972132S

(12) **United States Design Patent**  
**Chung**

(10) **Patent No.:** **US D972,132 S**

(45) **Date of Patent:** **\*\* Dec. 6, 2022**

(54) **HEMOSTASIS VALVE**

(71) Applicant: **HuBioMed Inc.**, Gyeonggi-do (KR)

(72) Inventor: **Sun Chung**, Gyeonggi-do (KR)

(73) Assignee: **HuBioMed Inc.**, Gyeonggi-do (KR)

(\*\*) Term: **15 Years**

(21) Appl. No.: **29/696,257**

(22) Filed: **Jun. 26, 2019**

(30) **Foreign Application Priority Data**

Jan. 10, 2019 (KR) ..... 30-2019-0001513

(51) **LOC (13) Cl.** ..... **24-02**

(52) **U.S. Cl.**  
USPC ..... **D24/129**

(58) **Field of Classification Search**  
USPC ..... D24/127-131, 112-114, 133, 186;  
606/181, 185; 604/264, 523-528, 272,  
604/187, 158, 164.01-164.11, 181, 184,  
604/227; 600/101, 139, 143;  
128/200.24, 207.14, 207.15  
CPC .. A61M 39/06; A61M 5/36; A61M 2039/062;  
A61M 2039/0673; A61M 39/10; A61M  
2039/205; A61F 2/958  
See application file for complete search history.

(56) **References Cited**

**U.S. PATENT DOCUMENTS**

- D429,334 S \* 8/2000 Solem ..... D24/155
- 6,491,664 B2 \* 12/2002 Bierman ..... A61M 25/02  
128/DIG. 26
- D469,865 S \* 2/2003 Bar-Or ..... D24/108
- 6,569,119 B1 \* 5/2003 Haberland ..... A61B 17/3462  
604/167.03
- D482,447 S \* 11/2003 Harding ..... D24/129

- D637,718 S \* 5/2011 Eisenkolb ..... D24/138
- D638,542 S \* 5/2011 Eisenkolb ..... D24/138
- D647,616 S \* 10/2011 Becker ..... D24/138
- D650,077 S \* 12/2011 Becker ..... D24/138
- D670,383 S \* 11/2012 Eisenkolb ..... D24/137
- D720,850 S \* 1/2015 Hsia ..... D24/130
- D736,915 S \* 8/2015 Schultz ..... D24/129
- D737,961 S \* 9/2015 Schultz ..... D24/129
- D737,962 S \* 9/2015 Schultz ..... D24/129
- D796,037 S \* 8/2017 Becker ..... D24/133
- D815,278 S \* 4/2018 Pak ..... D24/130
- D827,151 S \* 8/2018 Nakagawa ..... D24/224
- D854,182 S \* 7/2019 Accurso ..... B01L 3/523  
D24/224
- D877,355 S \* 3/2020 Russo ..... D24/224
- 2003/0150445 A1 \* 8/2003 Power ..... A61M 16/049  
128/200.14

(Continued)

*Primary Examiner* — Nathan M Johnston

(74) *Attorney, Agent, or Firm* — Harness, Dickey & Pierce, P.L.C.

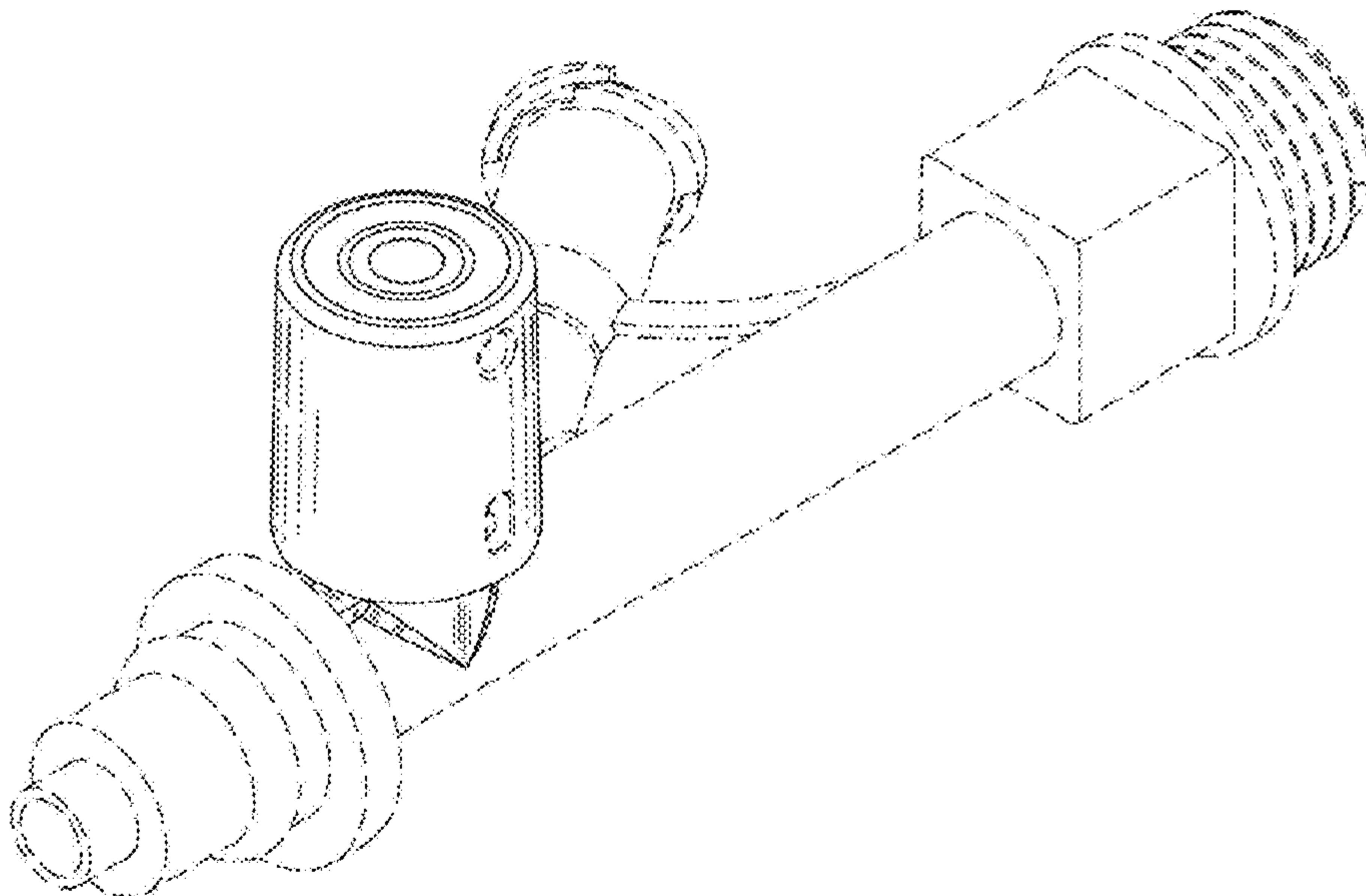
(57) **CLAIM**

The ornamental design for a hemostasis valve, as shown and described.

**DESCRIPTION**

FIG. 1 is a perspective view of the hemostasis valve, showing my design;  
 FIG. 2 is a front view of the hemostasis valve;  
 FIG. 3 is a back view of the hemostasis valve;  
 FIG. 4 is a left view of the hemostasis valve;  
 FIG. 5 is a right view of the hemostasis valve;  
 FIG. 6 is a top view of the hemostasis valve; and,  
 FIG. 7 is a bottom view of the hemostasis valve.  
 The broken line showing parts of the drawings is included for the purpose of illustrating use and environment and forms no part of the claimed design. The dash dot lines are to show the contours and surface direction. None of the broken lines form any part of the claimed design.

**1 Claim, 6 Drawing Sheets**



(56)

**References Cited**

U.S. PATENT DOCUMENTS

2004/0006312 A1\* 1/2004 Donnan ..... A61M 5/1782  
604/181  
2007/0066965 A1\* 3/2007 Coams ..... A61M 39/26  
604/533  
2008/0200871 A1\* 8/2008 Slater ..... A61M 25/0097  
604/96.01  
2015/0112271 A1\* 4/2015 Chelak ..... A61B 5/150221  
604/186  
2015/0202422 A1\* 7/2015 Ma ..... A61M 25/0606  
604/167.02

\* cited by examiner

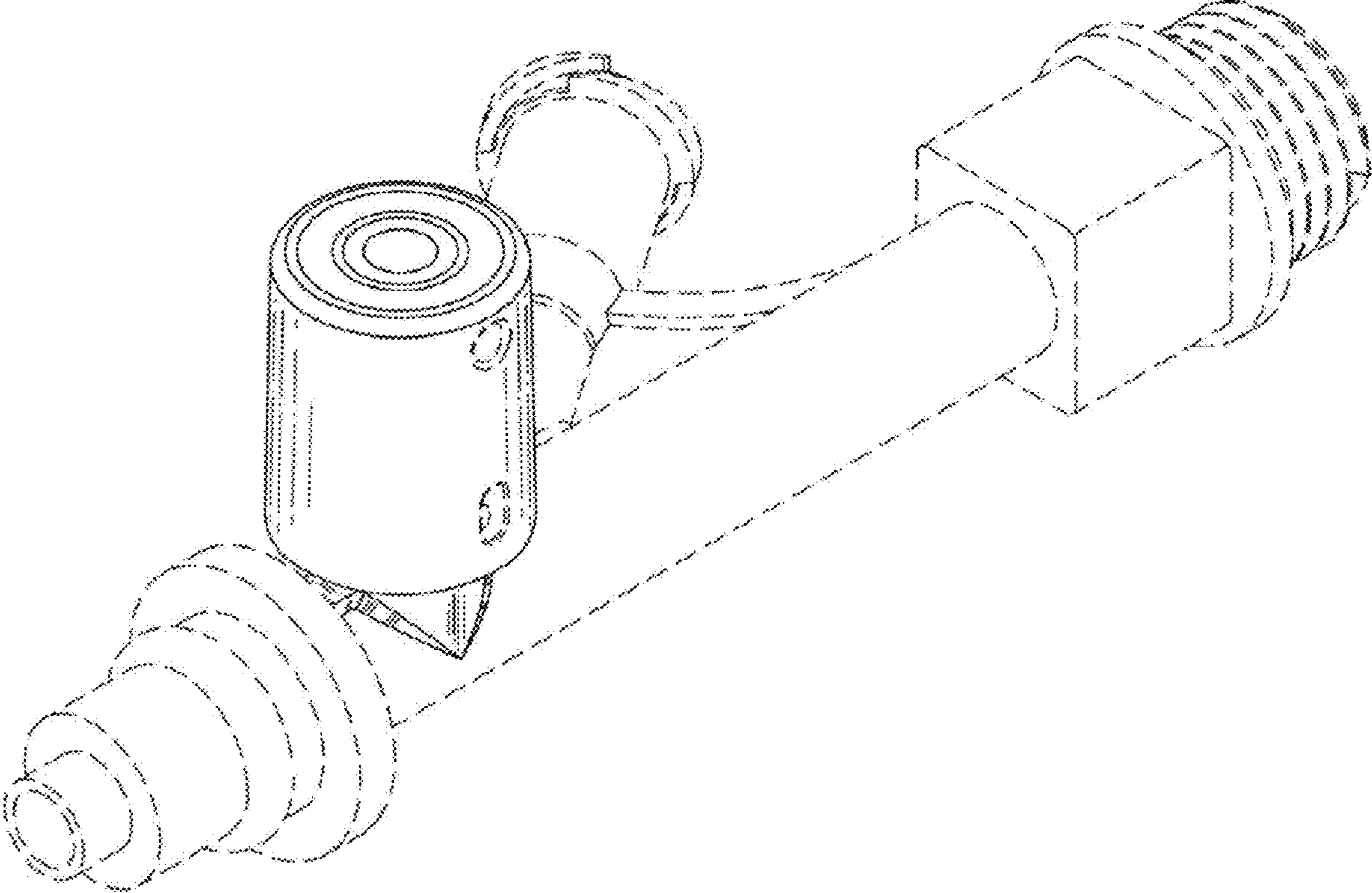


FIG. 1

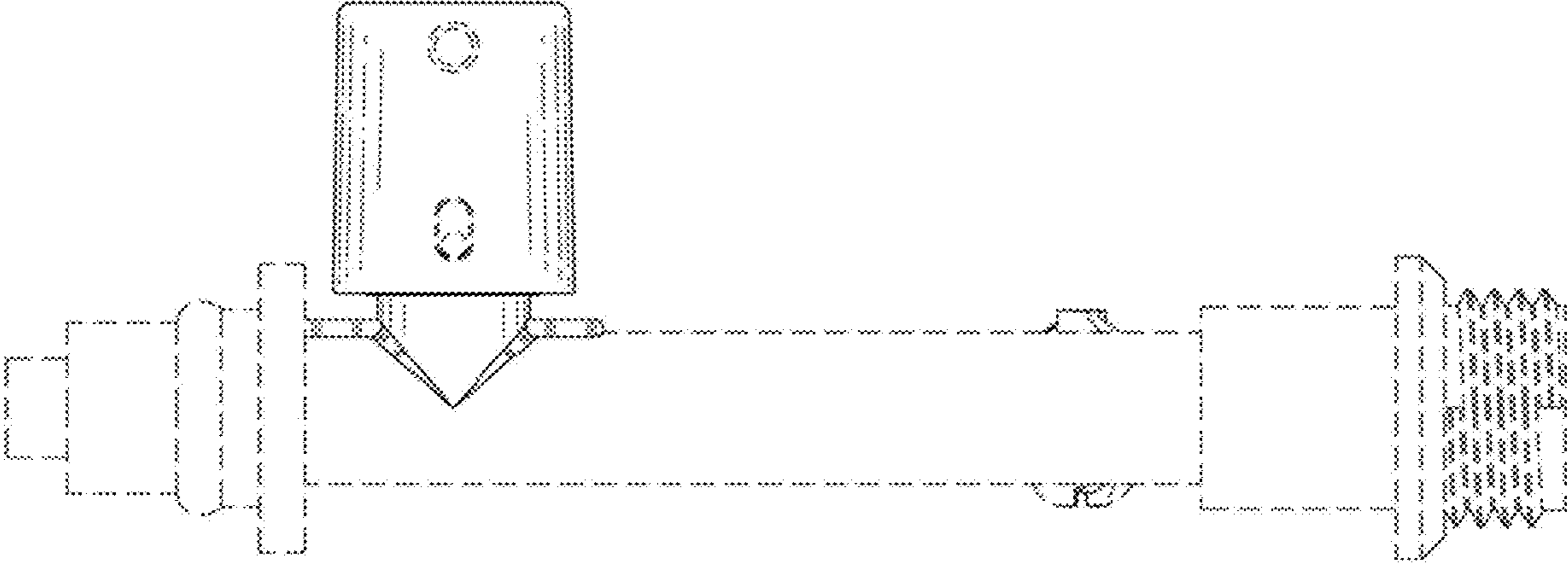


FIG. 2

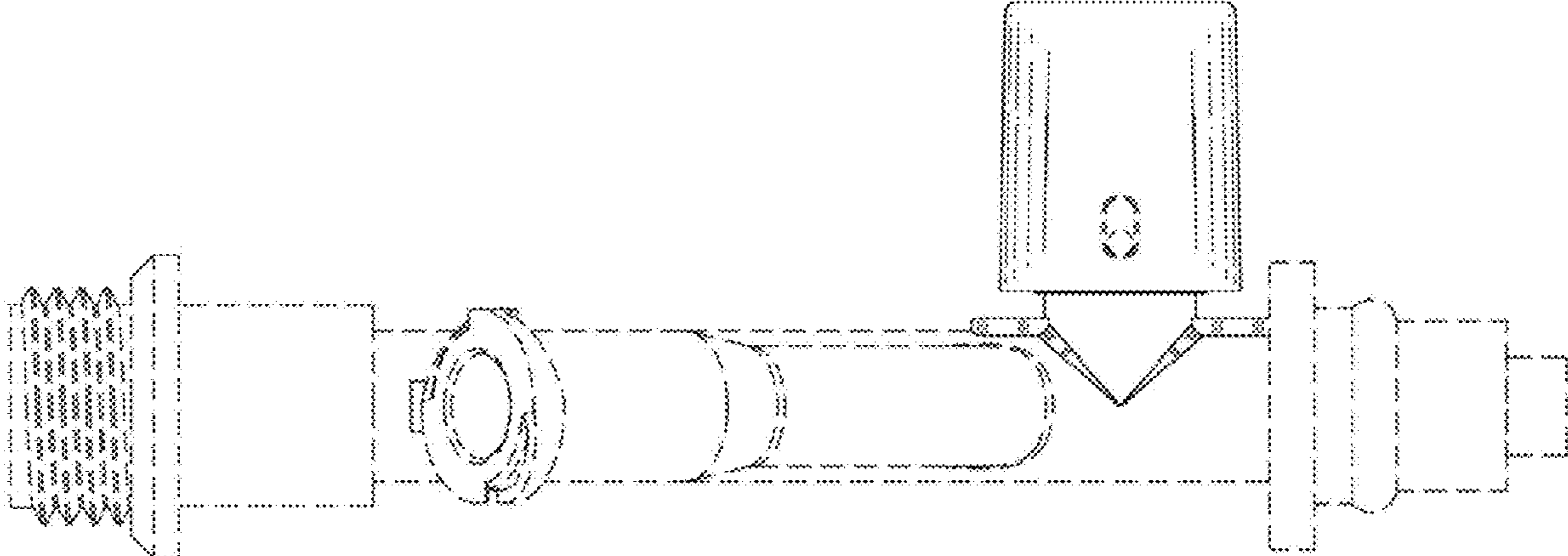


FIG. 3

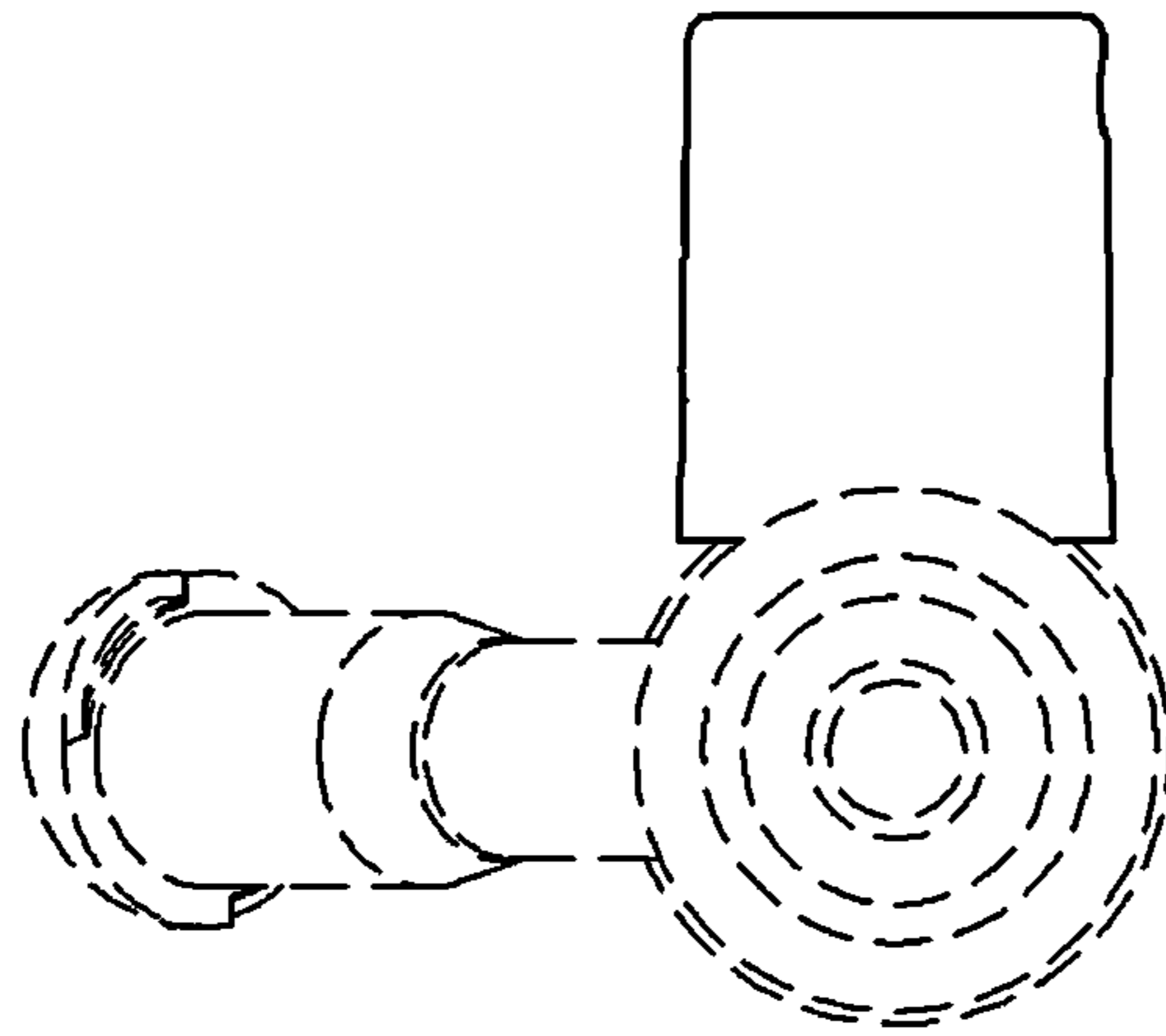


FIG. 4

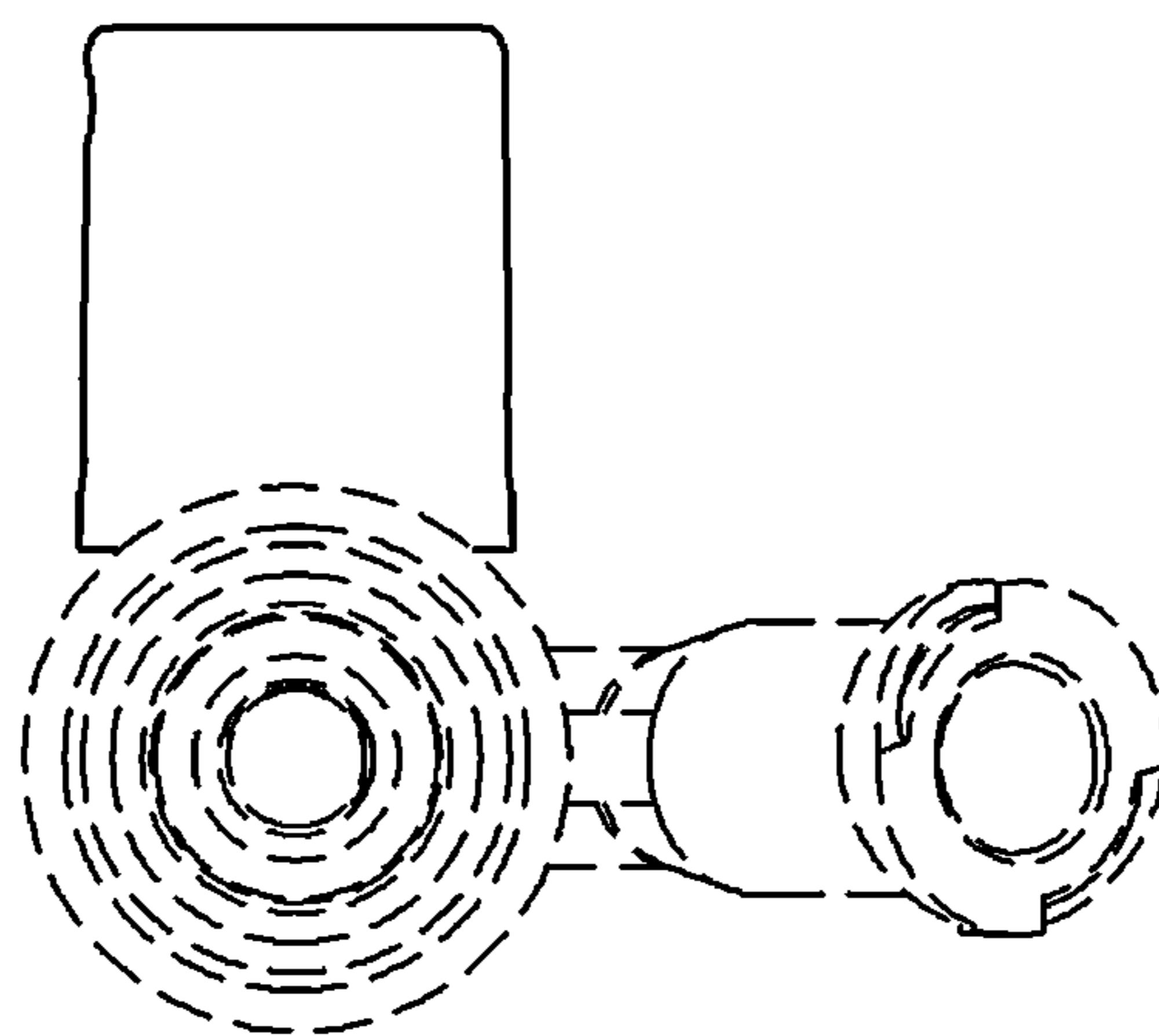


FIG. 5



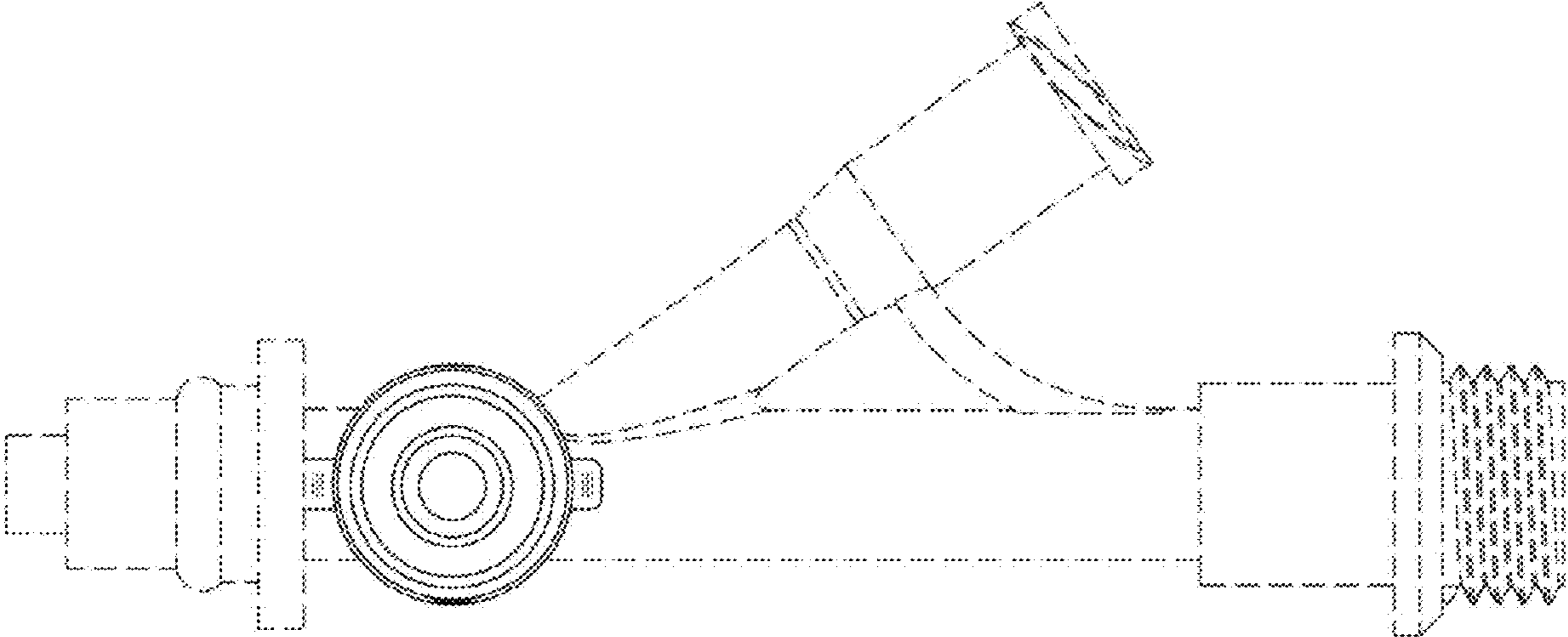


FIG. 6

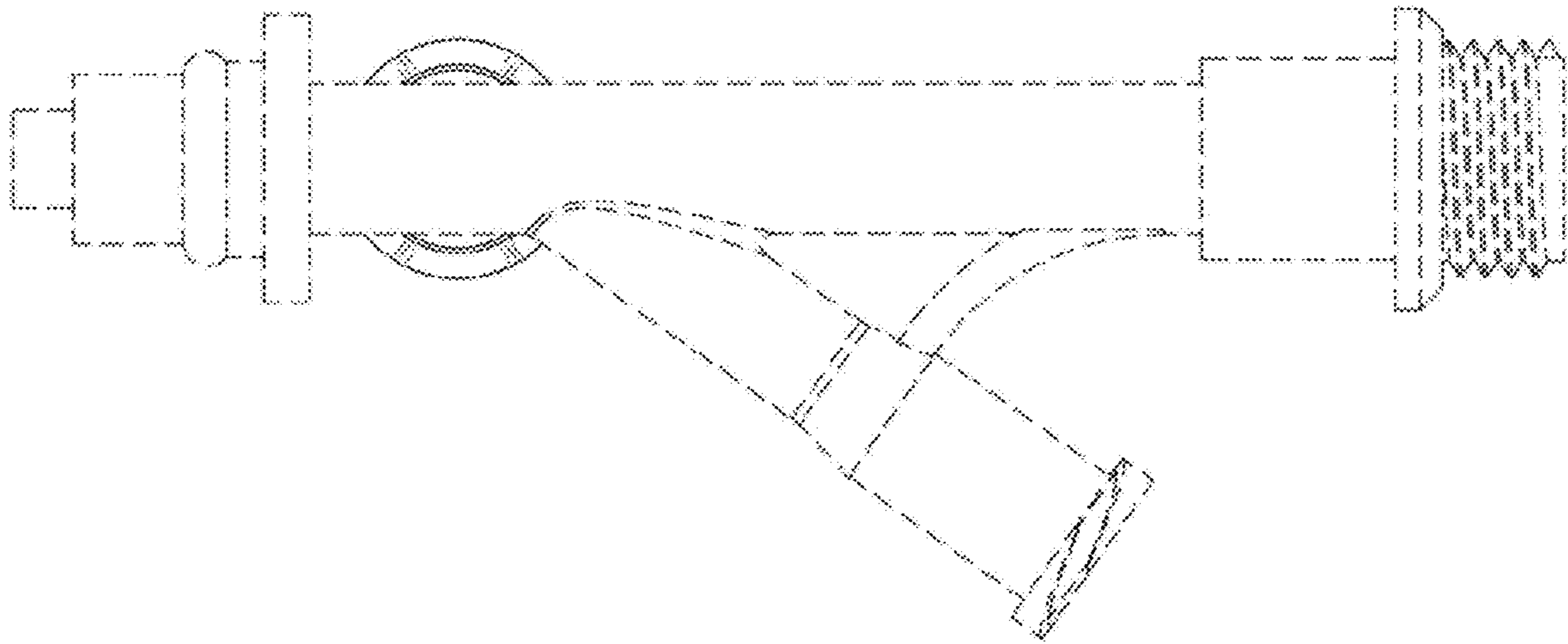


FIG. 7