



US00D972131S

(12) **United States Design Patent** (10) **Patent No.:** **US D972,131 S**
Chen (45) **Date of Patent:** **** Dec. 6, 2022**

(54) **TRANSPARENT TATTOO GRIP**
(71) Applicant: **IMPORTLA, LLC**, Baldwin Park, CA (US)
(72) Inventor: **Billy Chen**, Orange, CA (US)
(73) Assignee: **IMPORTLA, LLC**, Orange, CA (US)
(**) Term: **15 Years**
(21) Appl. No.: **29/706,558**
(22) Filed: **Sep. 20, 2019**
(51) **LOC (13) Cl.** **24-02**
(52) **U.S. Cl.**
USPC **D24/127; D24/133**
(58) **Field of Classification Search**
USPC D24/112-114, 108, 130, 127, 187, 133, D24/135, 140, 144, 145, 146, 147; D19/174, 199
CPC A61M 5/178; A61M 5/20; A61M 5/31; A61M 5/3146; A61M 5/3129; A61M 5/3148; A61M 5/315; A61M 3/00; A61M 37/0076; A61M 37/0084; A61M 37/0092
See application file for complete search history.

(56) **References Cited**
U.S. PATENT DOCUMENTS
D344,132 S * 2/1994 Schneberger D9/683
D377,895 S * 2/1997 Theken D8/303
D380,046 S * 6/1997 Domanowski D19/903
D445,501 S * 7/2001 Niedospial, Jr. D24/129
D483,153 S * 12/2003 Jan D28/9
D568,543 S * 5/2008 Jan D28/9
D589,614 S * 3/2009 Cook D24/146
(Continued)

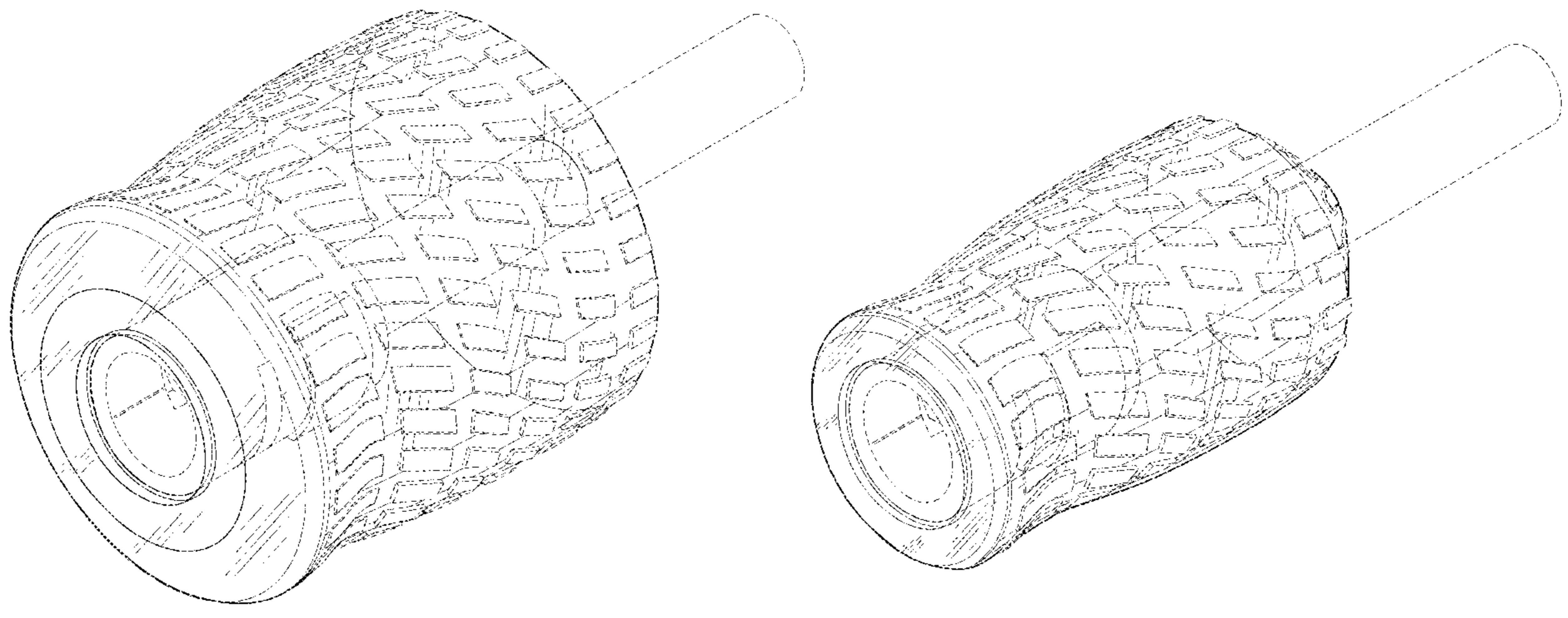
OTHER PUBLICATIONS
TATSoul Wrath Gel Cartridge Grip, [site visited Mar. 7, 2022]. Available from Internet. URL: <https://www.youtube.com/watch?v=e4TZR0LBkRg> Jul. 25, 2019 (Year: 2019).*

Primary Examiner — T Chase Nelson
Assistant Examiner — Kelly L Gross
(74) *Attorney, Agent, or Firm* — Kevin Schraven; Anooj Patel; Hankin Patent Law, APC

(57) **CLAIM**
I claim the ornamental design for a transparent tattoo grip, as shown and described.

DESCRIPTION
FIG. 1 is a top perspective view of a first embodiment of a transparent tattoo grip showing my new design.
FIG. 2 is a left side elevational view thereof.
FIG. 3 is a right side elevational view thereof.
FIG. 4 is a front elevational view thereof.
FIG. 5 is a rear elevational view thereof.
FIG. 6 is a top plan view thereof.
FIG. 7 is a bottom plan view thereof.
FIG. 8 is a top perspective view of a second embodiment of a transparent tattoo grip showing my new design.
FIG. 9 is a left side elevational view thereof.
FIG. 10 is a right side elevational view thereof.
FIG. 11 is a front elevational view thereof.
FIG. 12 is a rear elevational view thereof.
FIG. 13 is a top plan view thereof.
FIG. 14 is a bottom plan view thereof.
FIG. 15 is a top perspective view of a third embodiment of a transparent tattoo grip showing my new design.
FIG. 16 is a left side elevational view thereof.
FIG. 17 is a right side elevational view thereof.
FIG. 18 is a front elevational view thereof.
FIG. 19 is a rear elevational view thereof.
FIG. 20 is a top plan view thereof; and,
FIG. 21 is a bottom plan view thereof.
The broken lines showing the grip pattern, cartridge structure, and trade name are unclaimed subject matter and form no part of the claimed design.

1 Claim, 21 Drawing Sheets



(56)

References Cited

U.S. PATENT DOCUMENTS

D598,095 S *	8/2009	Hansen	A61M 37/0076	D24/144
D609,339 S *	2/2010	Myers	A61M 37/0076	D24/133
D631,960 S *	2/2011	Myers	A61M 37/0076	D24/146
D677,790 S *	3/2013	Little	A61M 37/0076	D24/146
D707,294 S *	6/2014	Casciotti	D19/199	
D721,806 S *	1/2015	Higgins	D24/140	
D722,692 S *	2/2015	Chen	D24/144	
D723,685 S *	3/2015	Myers	A61M 37/0076	D24/144
D735,811 S *	8/2015	Laemle	D19/192	
D737,972 S	9/2015	Chen et al.			
D739,019 S	9/2015	Chen et al.			
D744,645 S	12/2015	Smith			
D745,151 S *	12/2015	Smith	D24/144	
D746,447 S *	12/2015	Wheeler	D24/129	
D746,455 S *	12/2015	Mayer	A61M 37/0076	D24/144
D763,443 S	8/2016	Chen et al.			
D768,292 S *	10/2016	Maher	D24/119	
D782,118 S *	3/2017	Alferez	D29/114	
D805,199 S	12/2017	Chen et al.			
D816,217 S *	4/2018	Naughton	D24/130	
D818,182 S *	5/2018	Logothetis	D26/113	
D826,330 S *	8/2018	Bo	D19/173	
D830,461 S *	10/2018	Li	D19/904	
D834,090 S *	11/2018	Xu	D19/907	
D852,016 S *	6/2019	Yoo	D15/126	
D852,953 S *	7/2019	Ciferri	D24/144	
D852,954 S *	7/2019	Ciferri	D24/144	
D881,385 S *	4/2020	Tiedeken	D24/146	
D883,477 S *	5/2020	Tiedeken	A61M 37/0076	D24/146
D884,163 S *	5/2020	Tiedeken	D24/146	
D890,843 S *	7/2020	Fang	D19/174	
D893,712 S *	8/2020	Halseth	D24/130	
D893,716 S *	8/2020	Siciliano	D24/144	
D909,576 S *	2/2021	Wang	D24/146	
D909,577 S *	2/2021	Wang	D24/146	
D910,175 S *	2/2021	Tegowski	D24/147	
D926,016 S *	7/2021	Chisholm	D24/144	
D928,315 S *	8/2021	Morrison	D24/146	
D928,397 S *	8/2021	Liu	D27/162	
D934,422 S *	10/2021	Siciliano	D24/144	
D938,529 S *	12/2021	Wu	D21/672	
D939,086 S *	12/2021	Siciliano	D24/144	
D939,701 S *	12/2021	Siciliano	D24/144	
D939,703 S *	12/2021	Chen	D24/146	

* cited by examiner

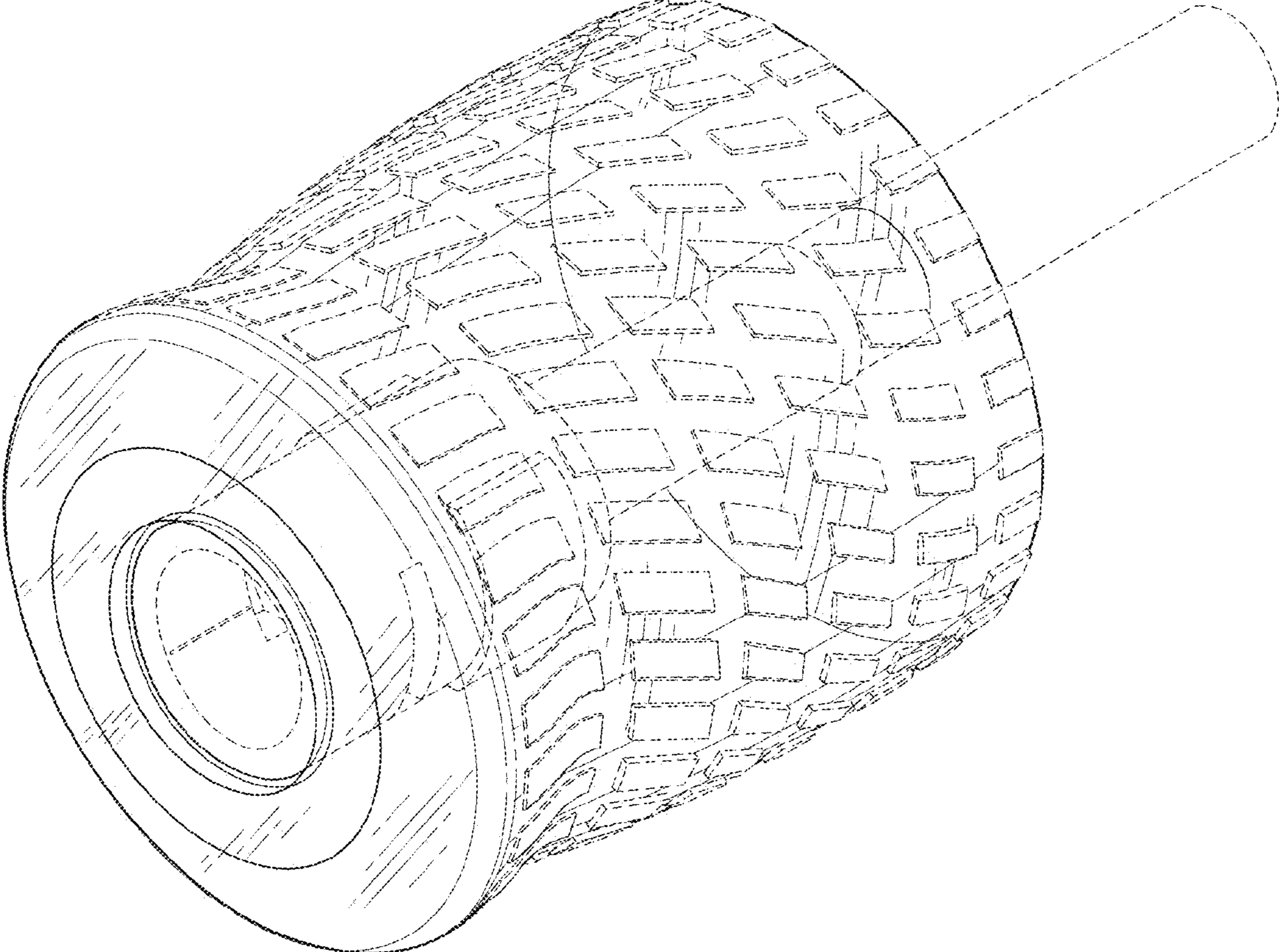


Fig. 1

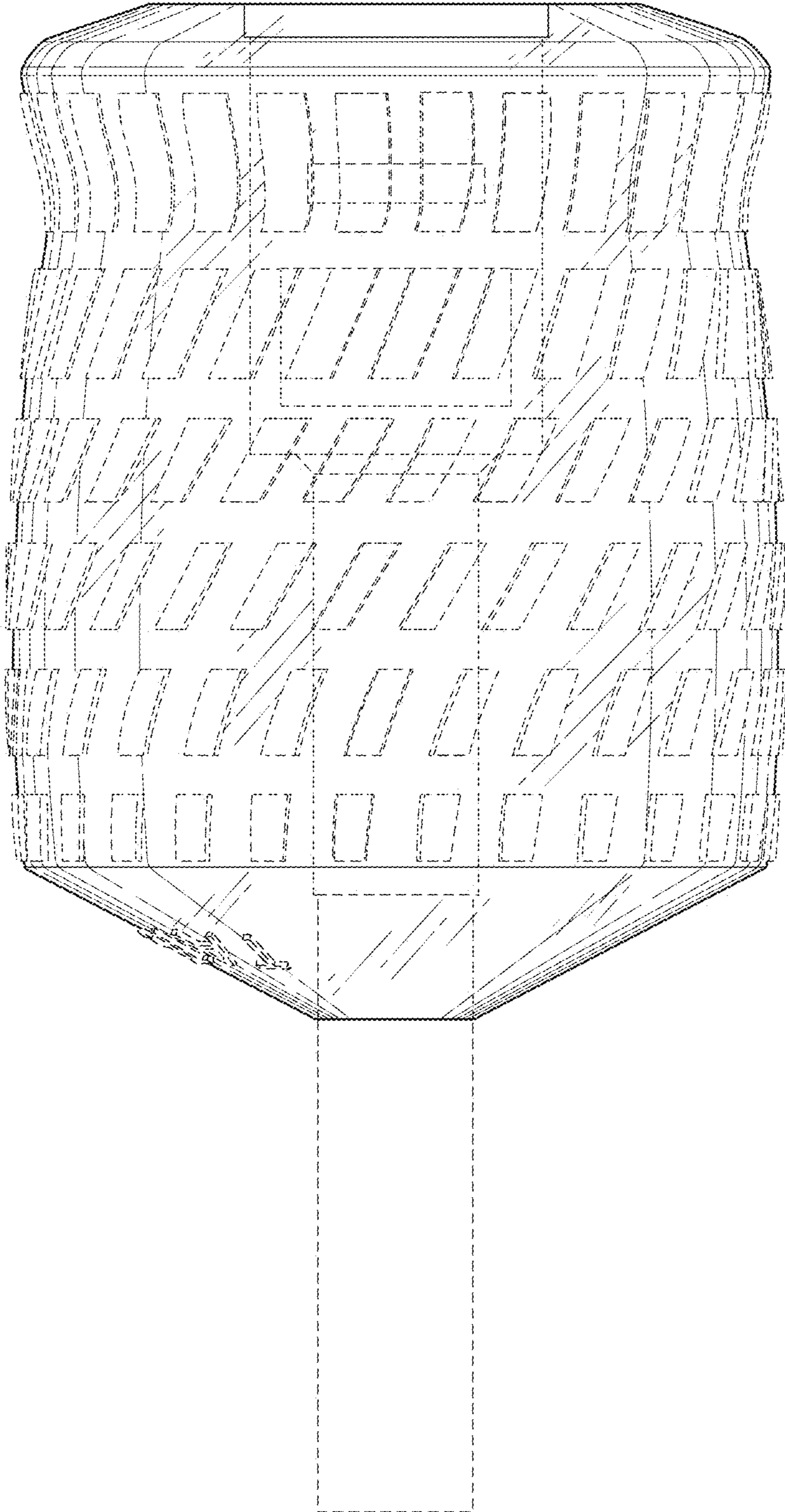


Fig.2

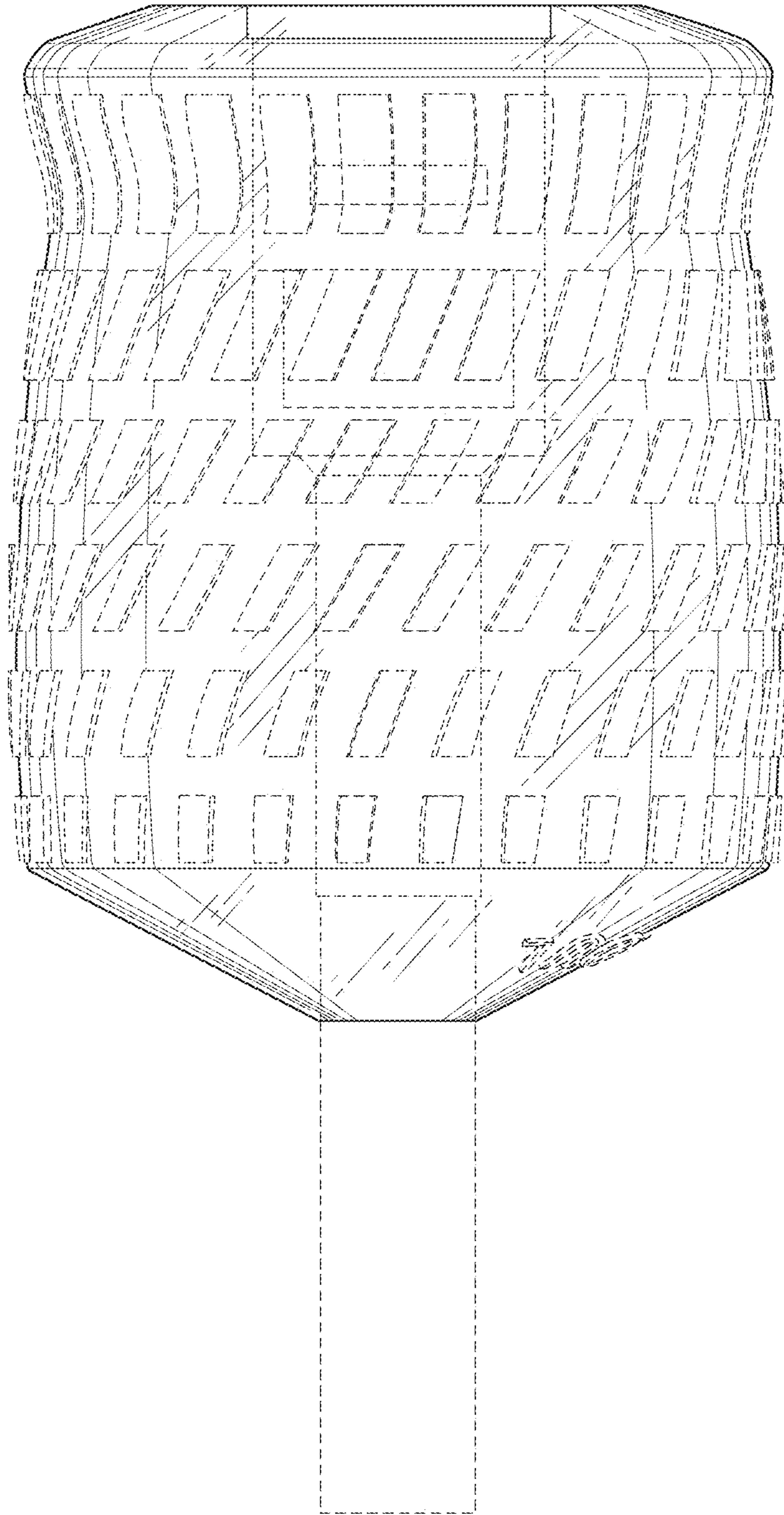


Fig.3

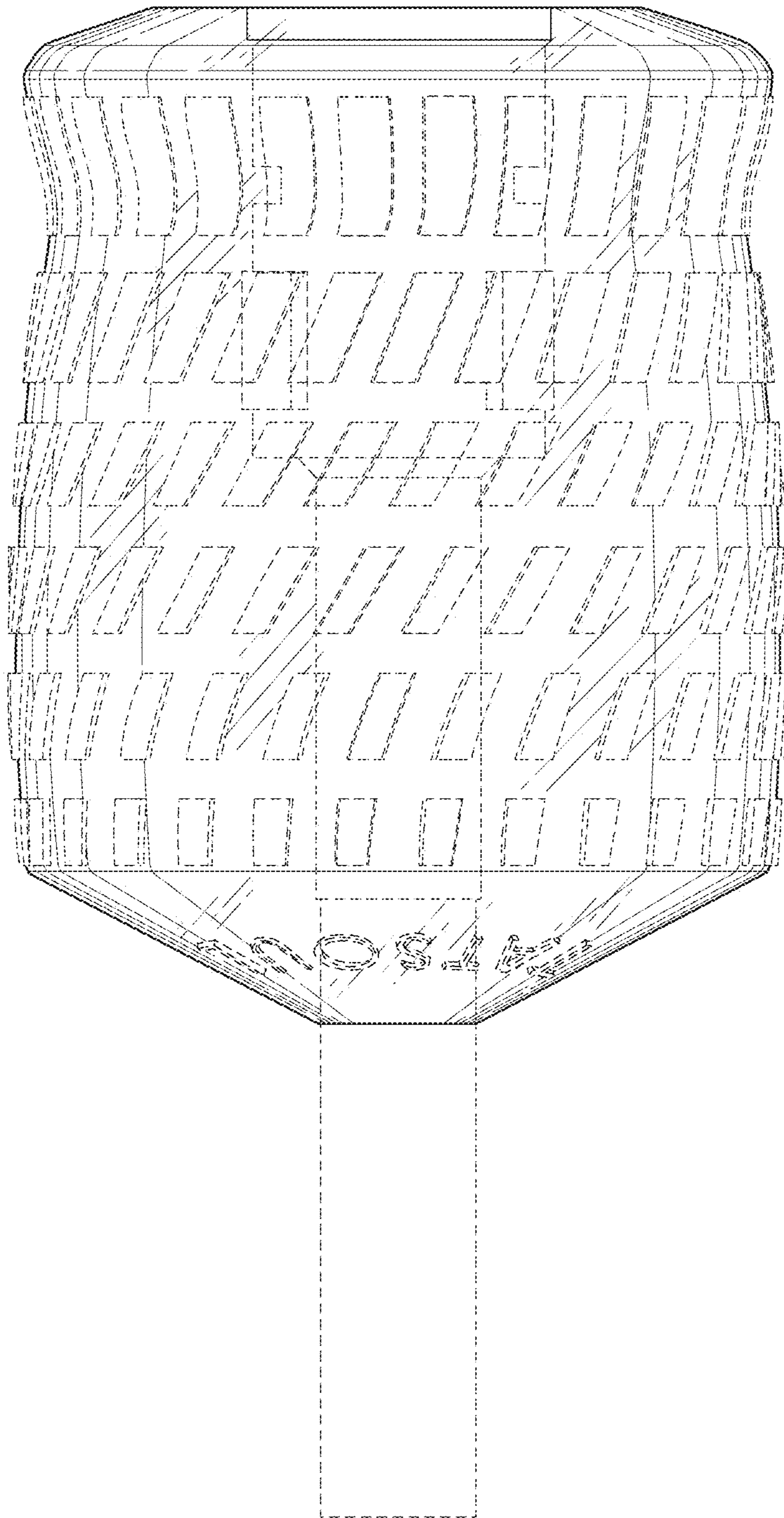


Fig.4

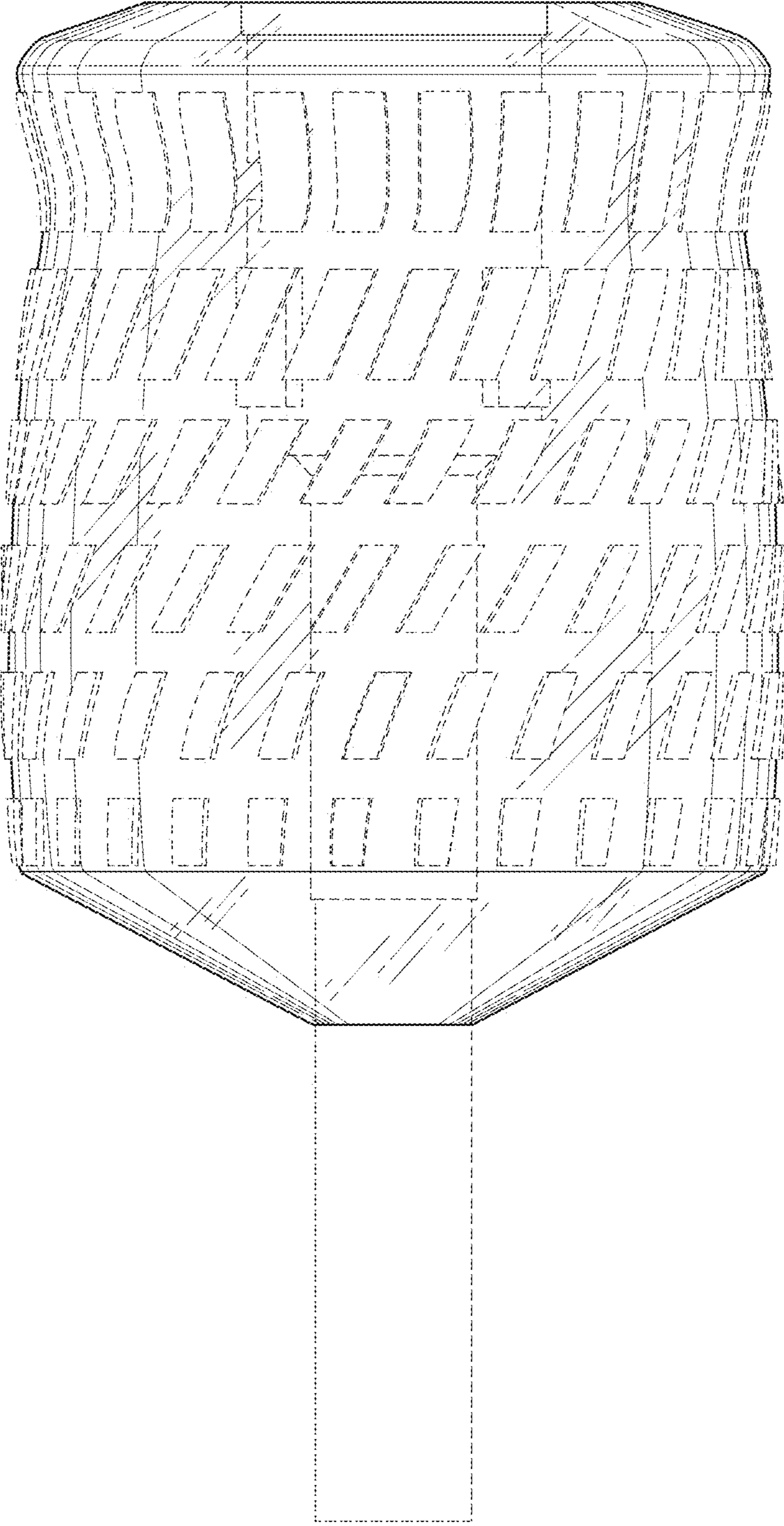


Fig.5

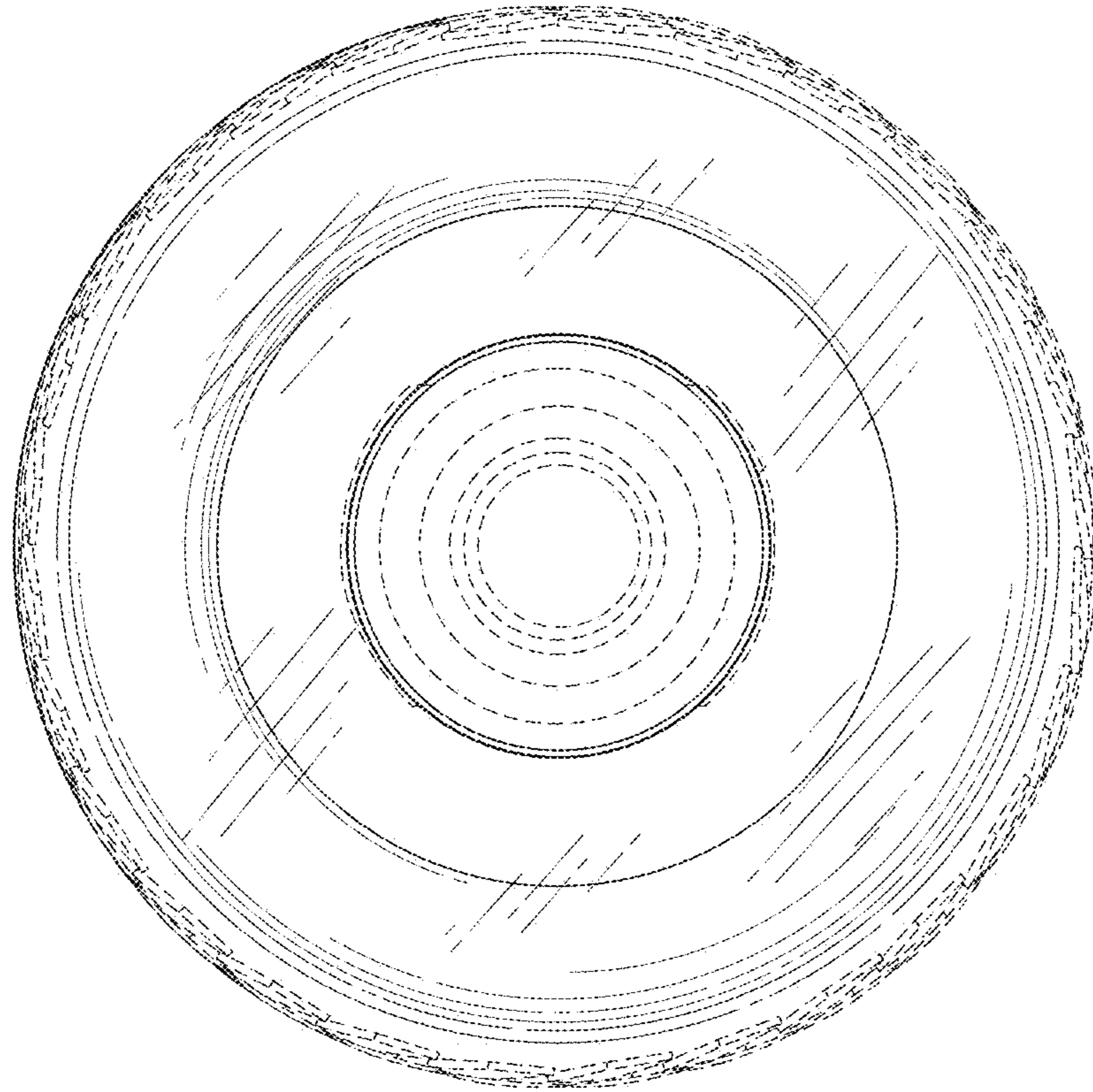


Fig.6

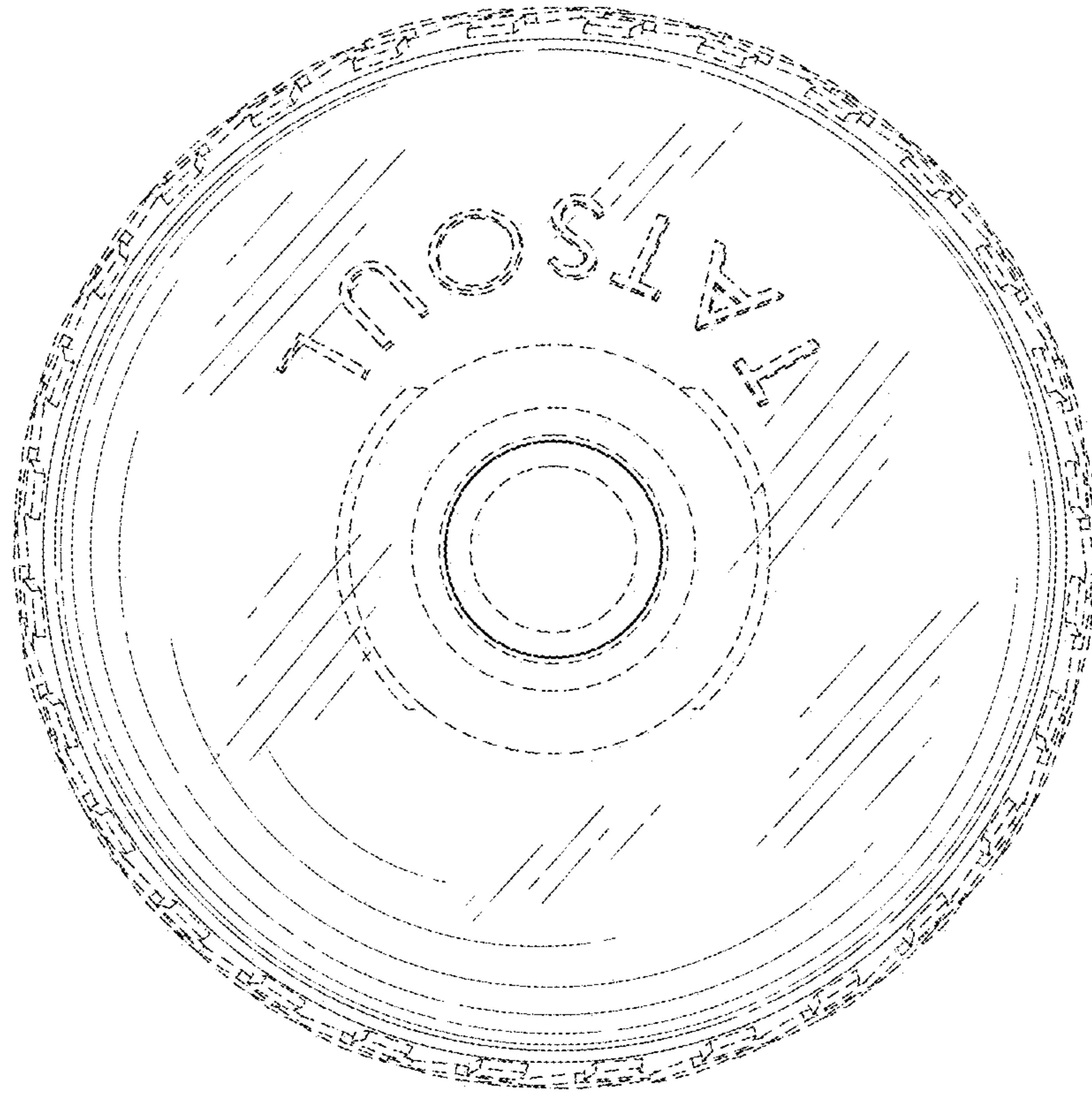


Fig. 7

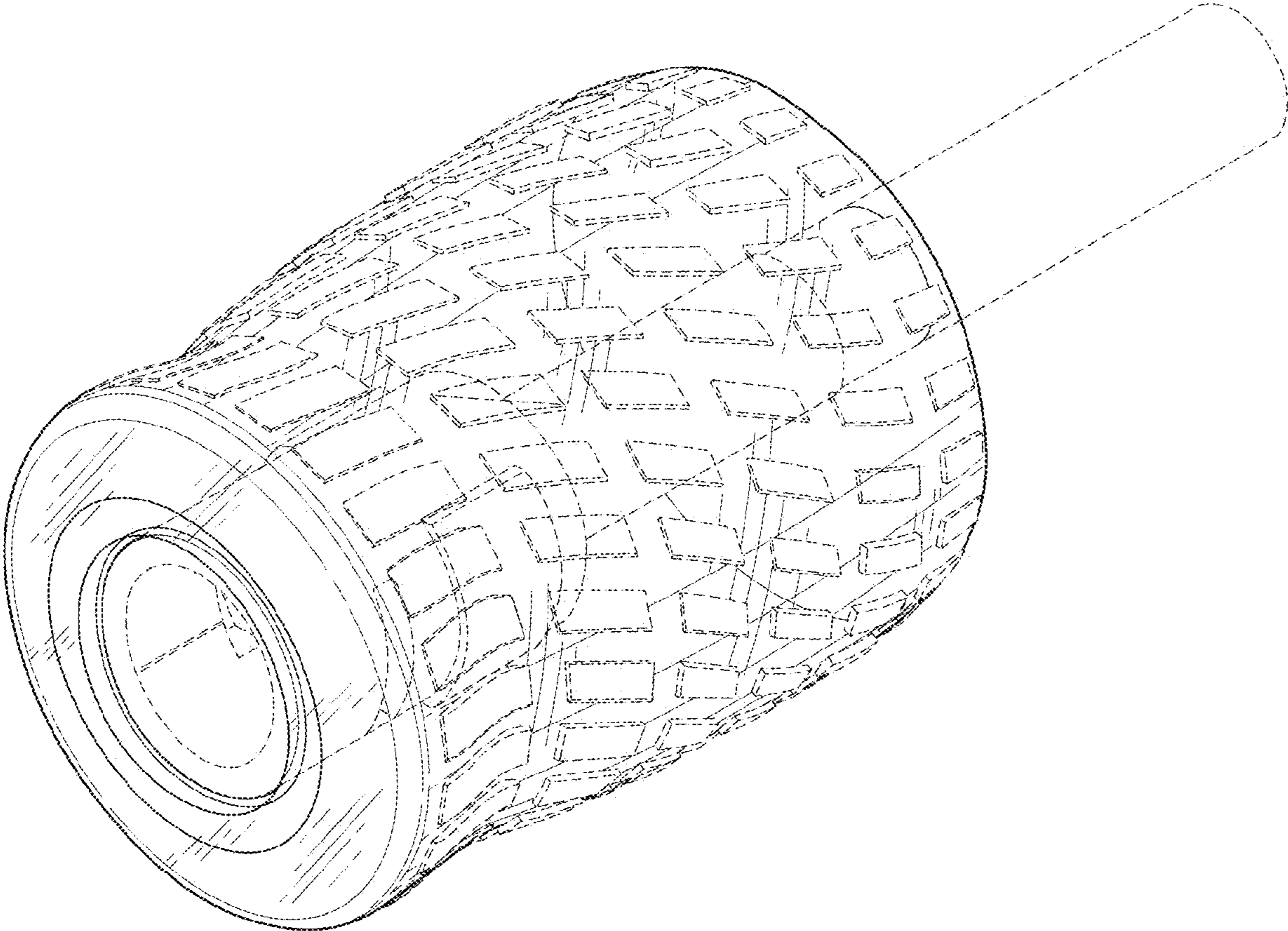


Fig.8

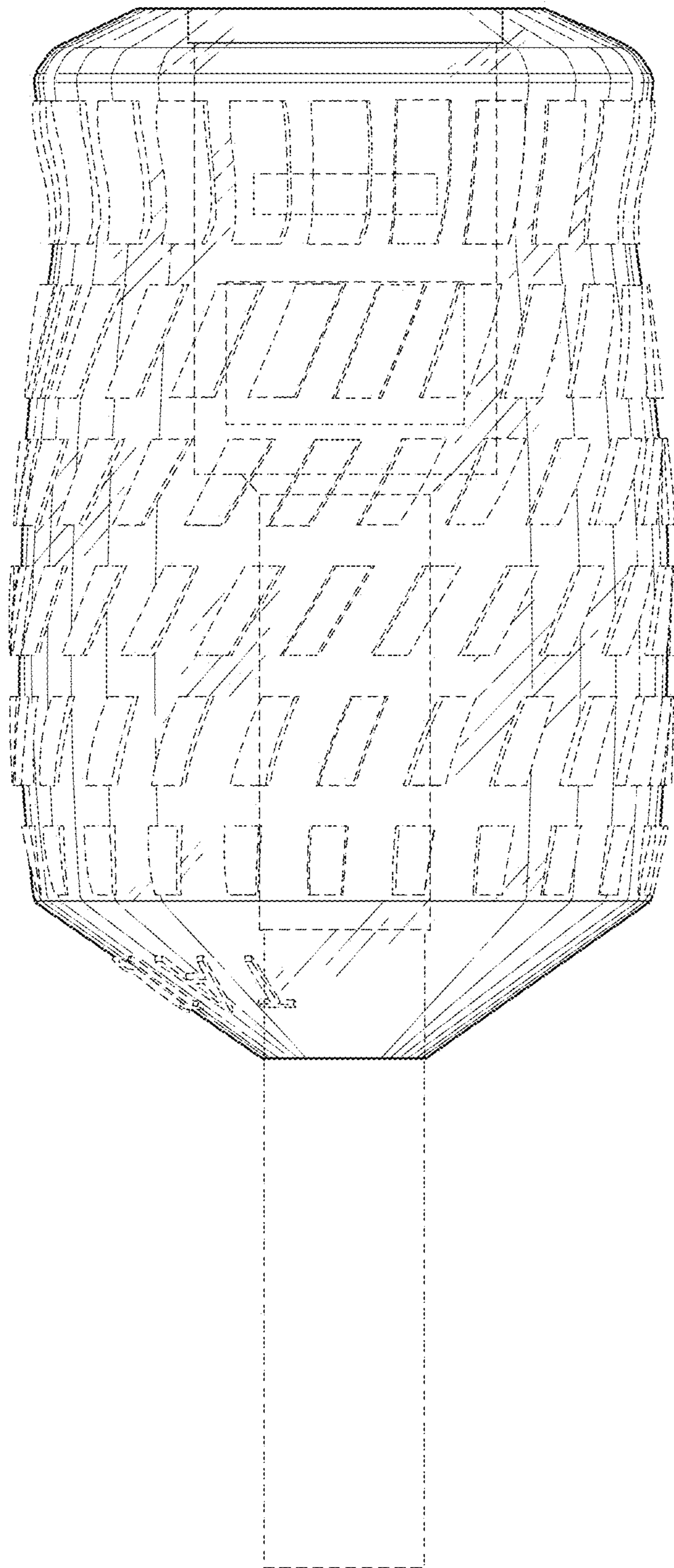


Fig. 9

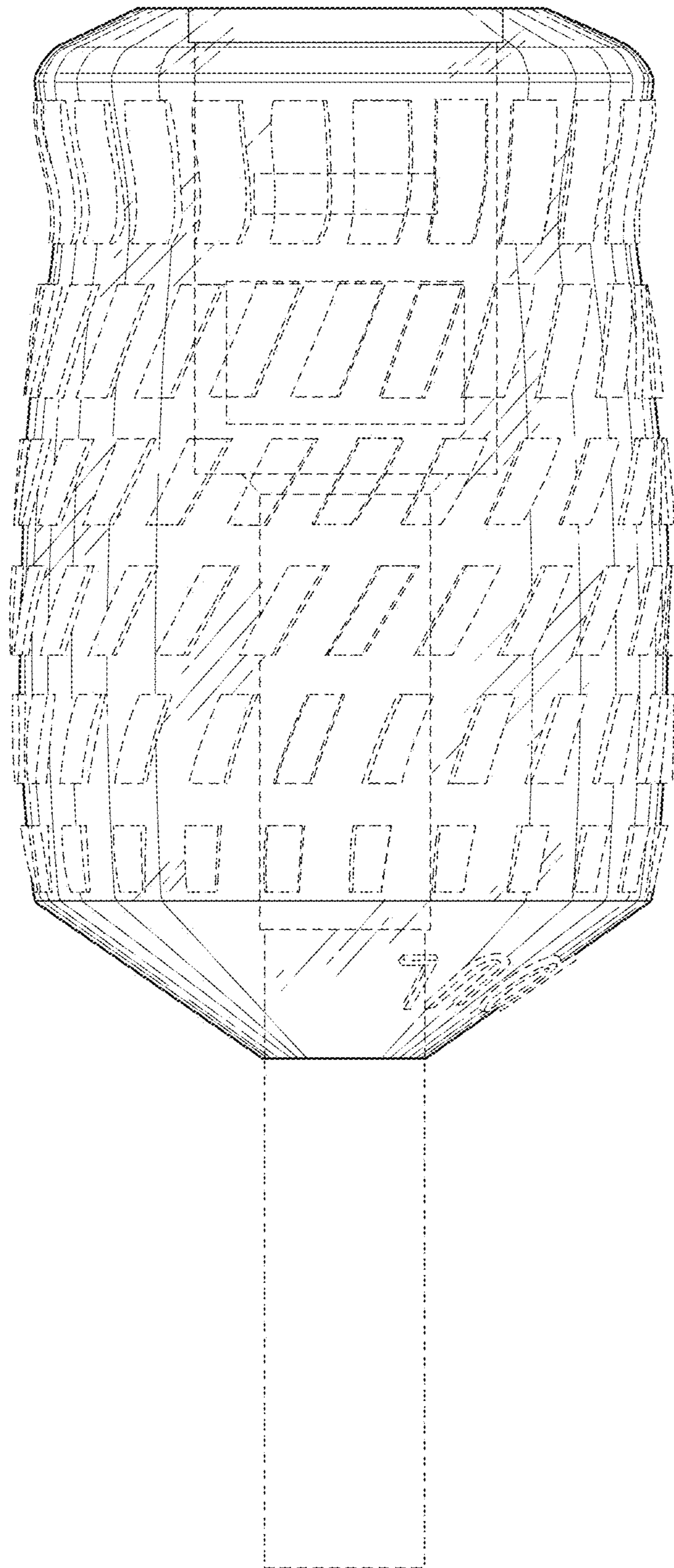


Fig. 10

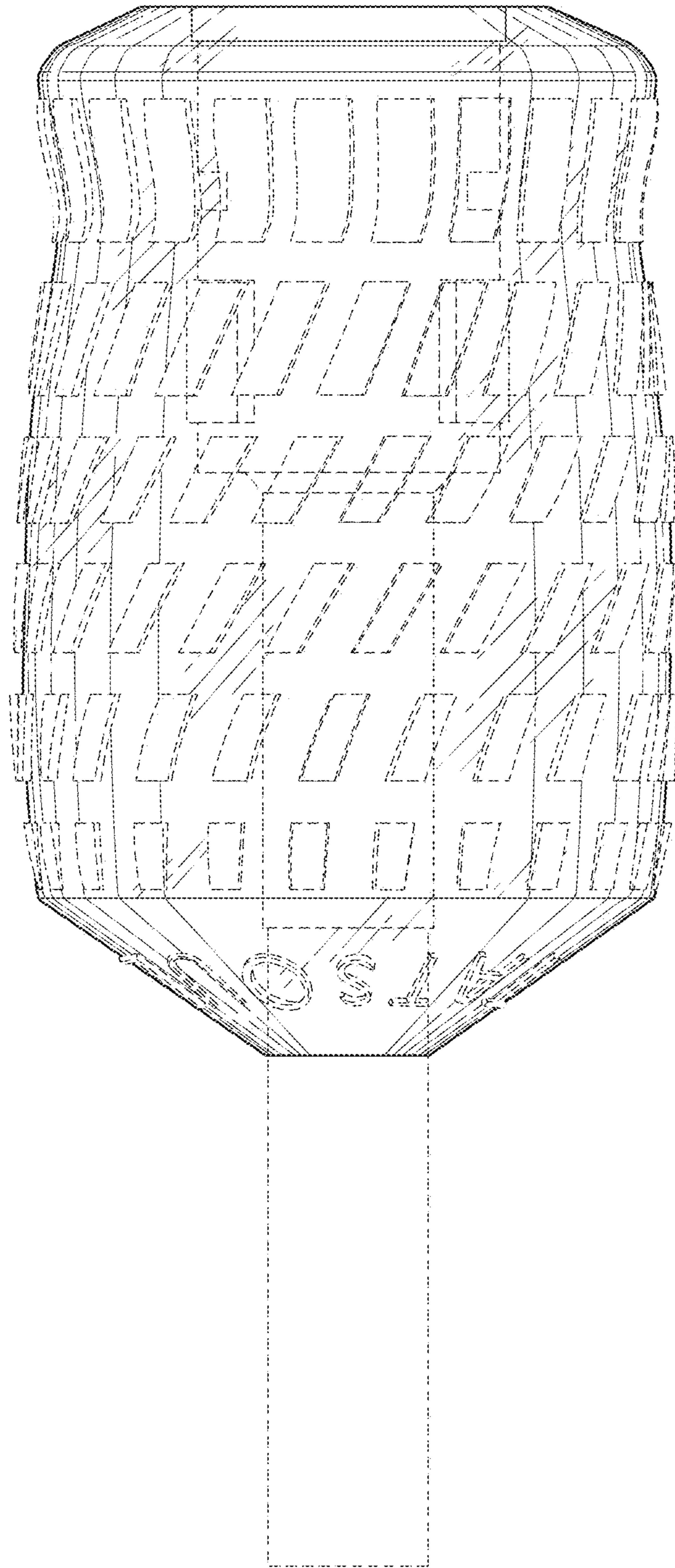


Fig. 11

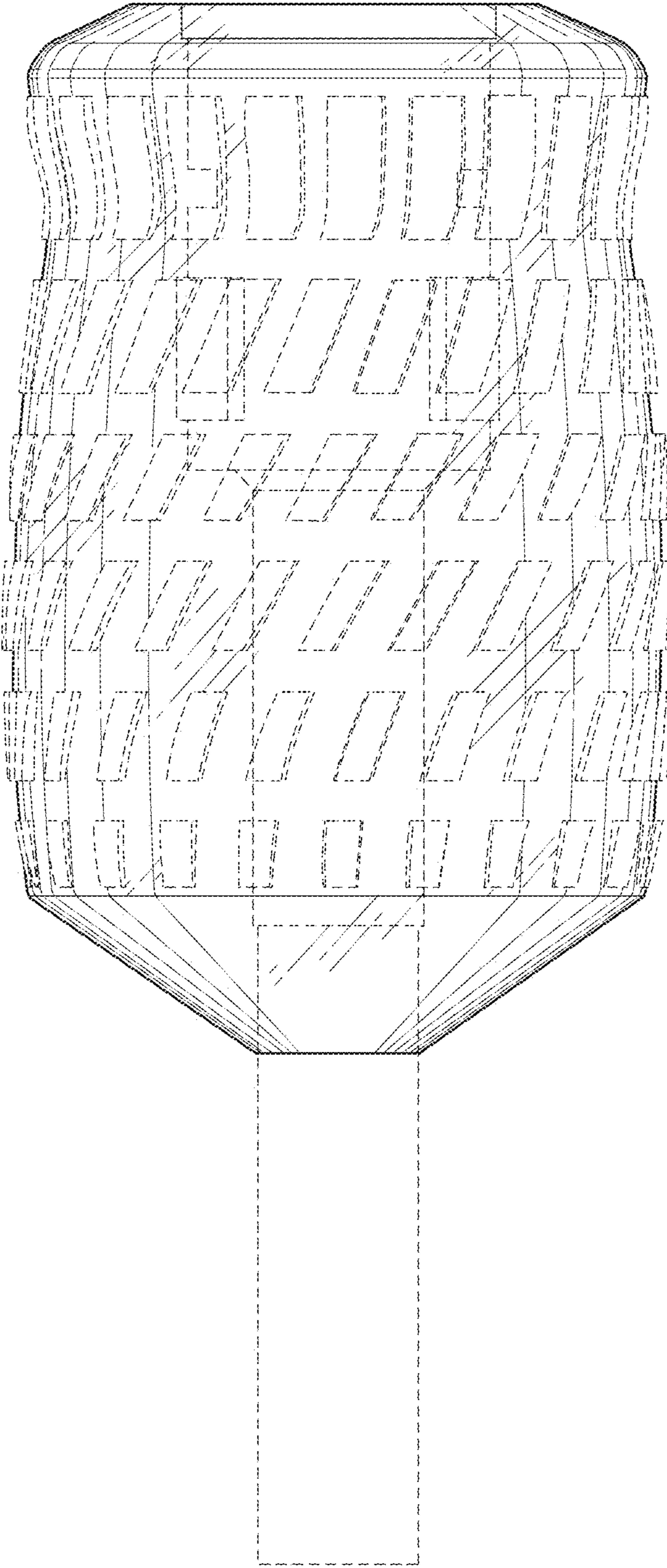


Fig. 12

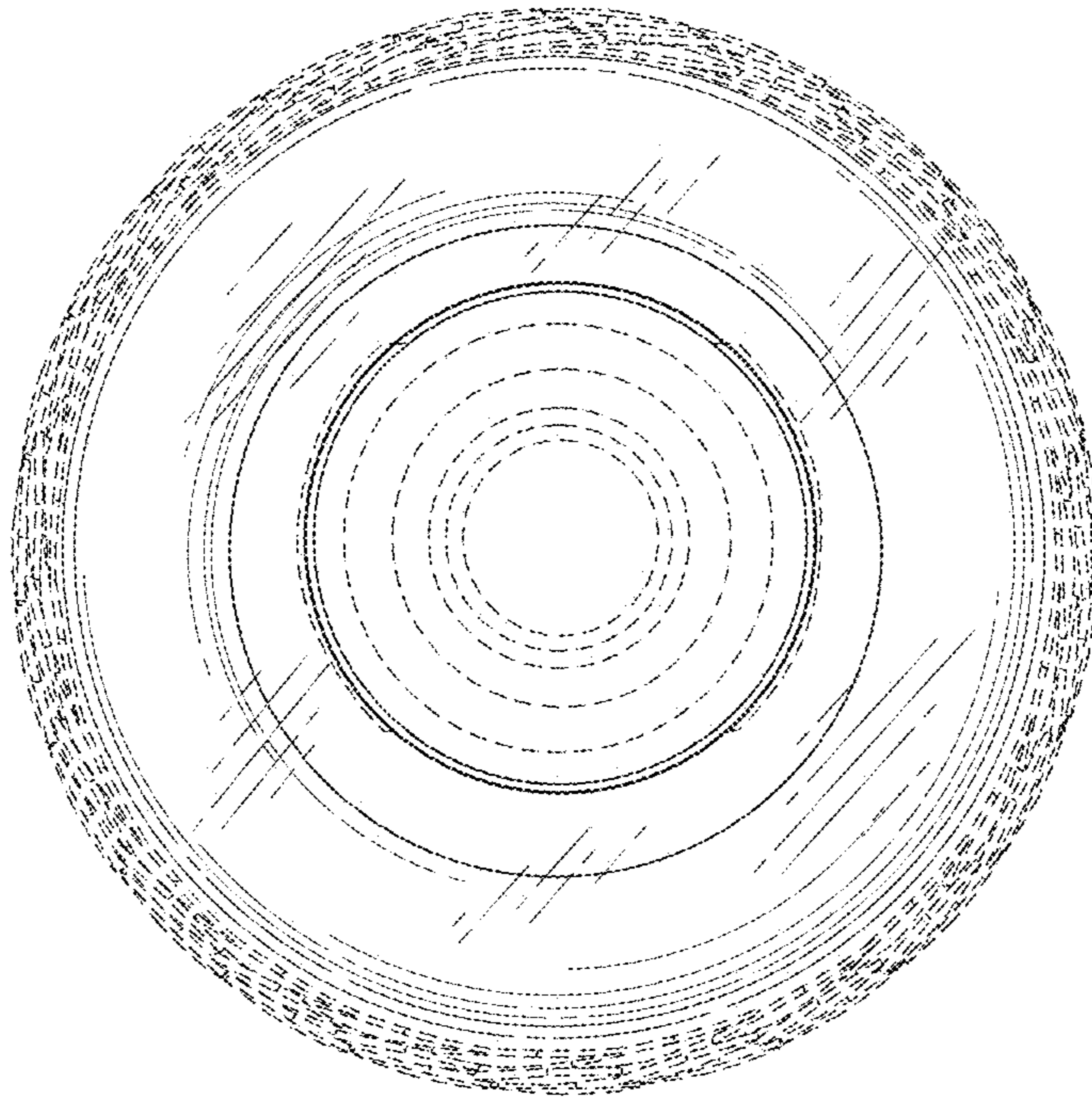


Fig. 13



Fig.14

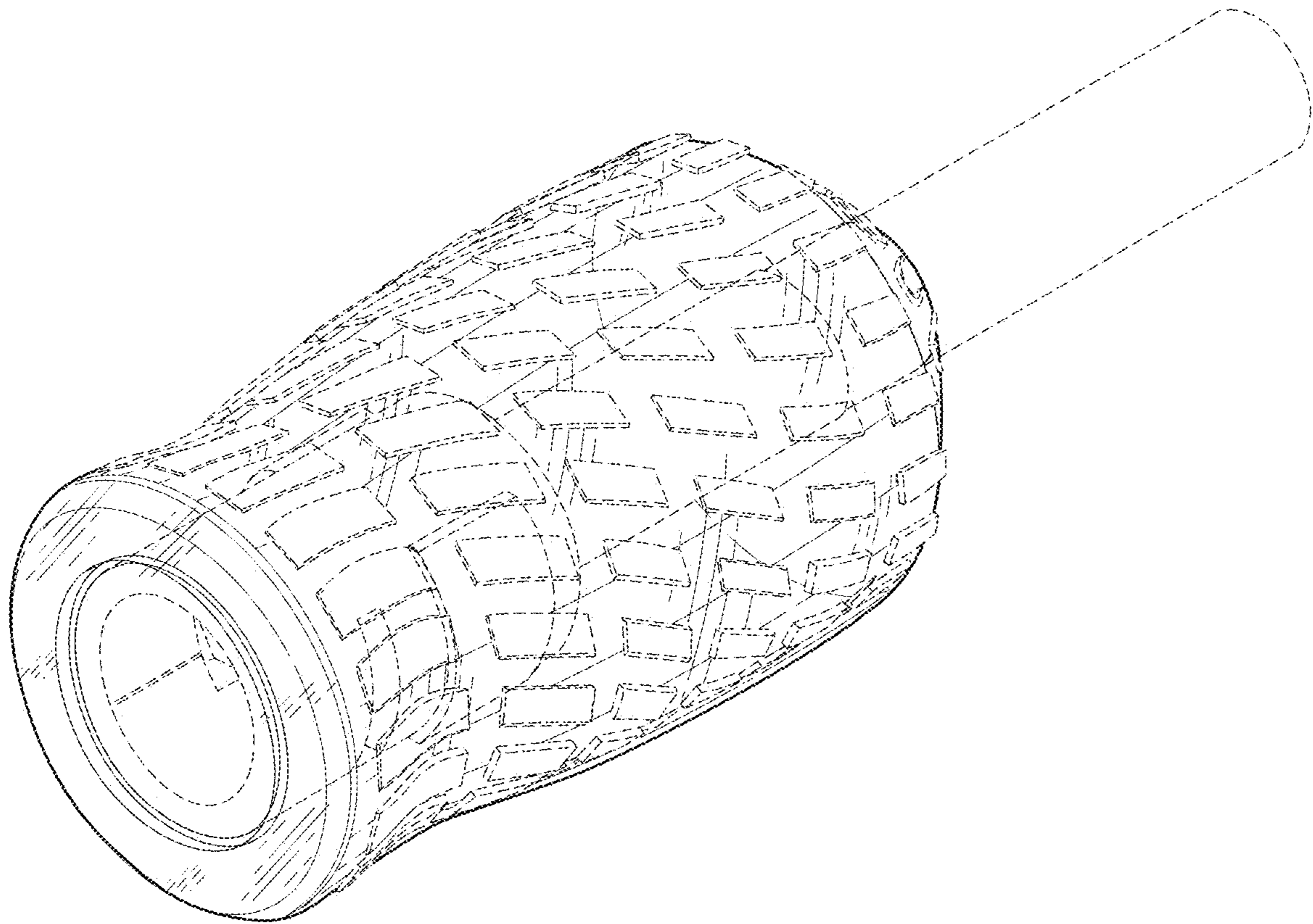


Fig. 15

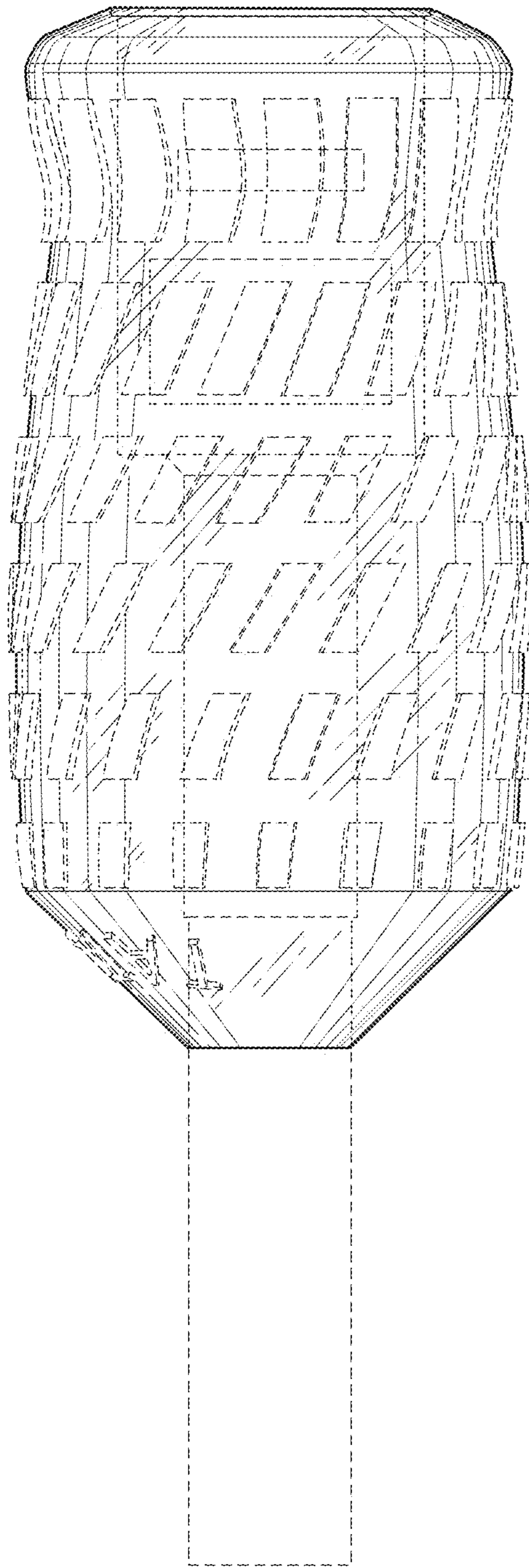


Fig. 16

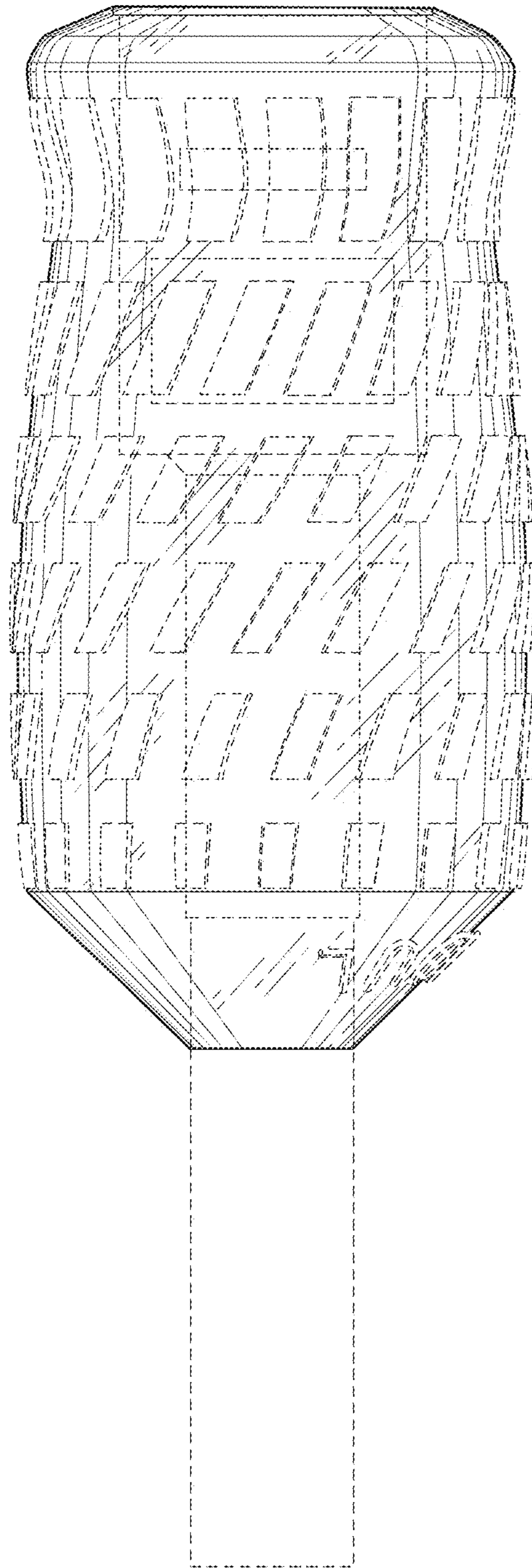


Fig. 17

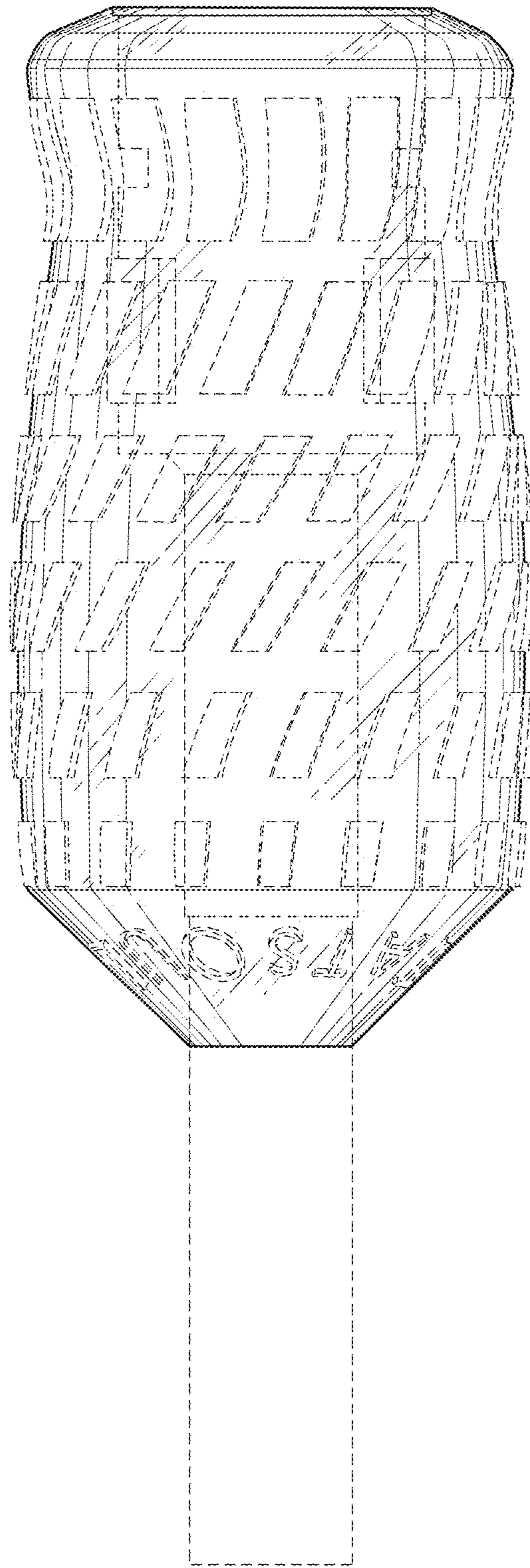


Fig. 18

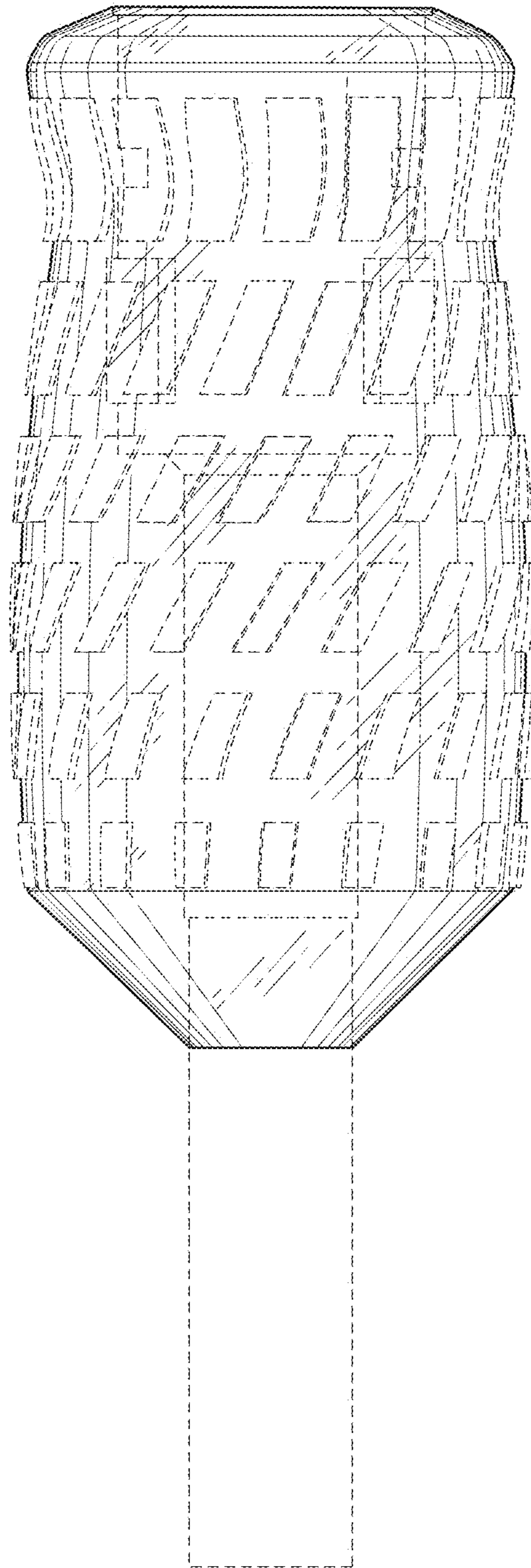


Fig. 19

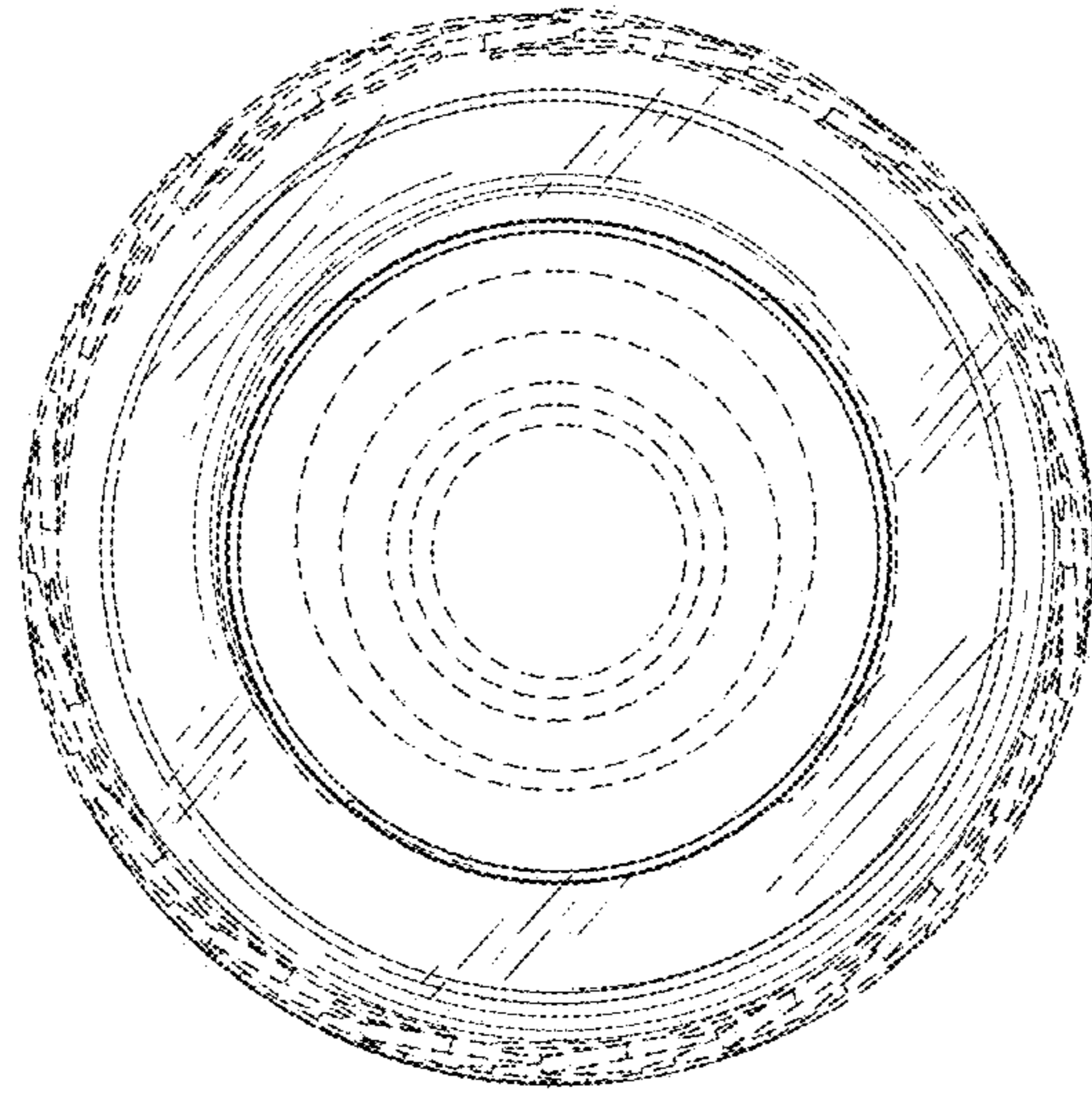


Fig.20

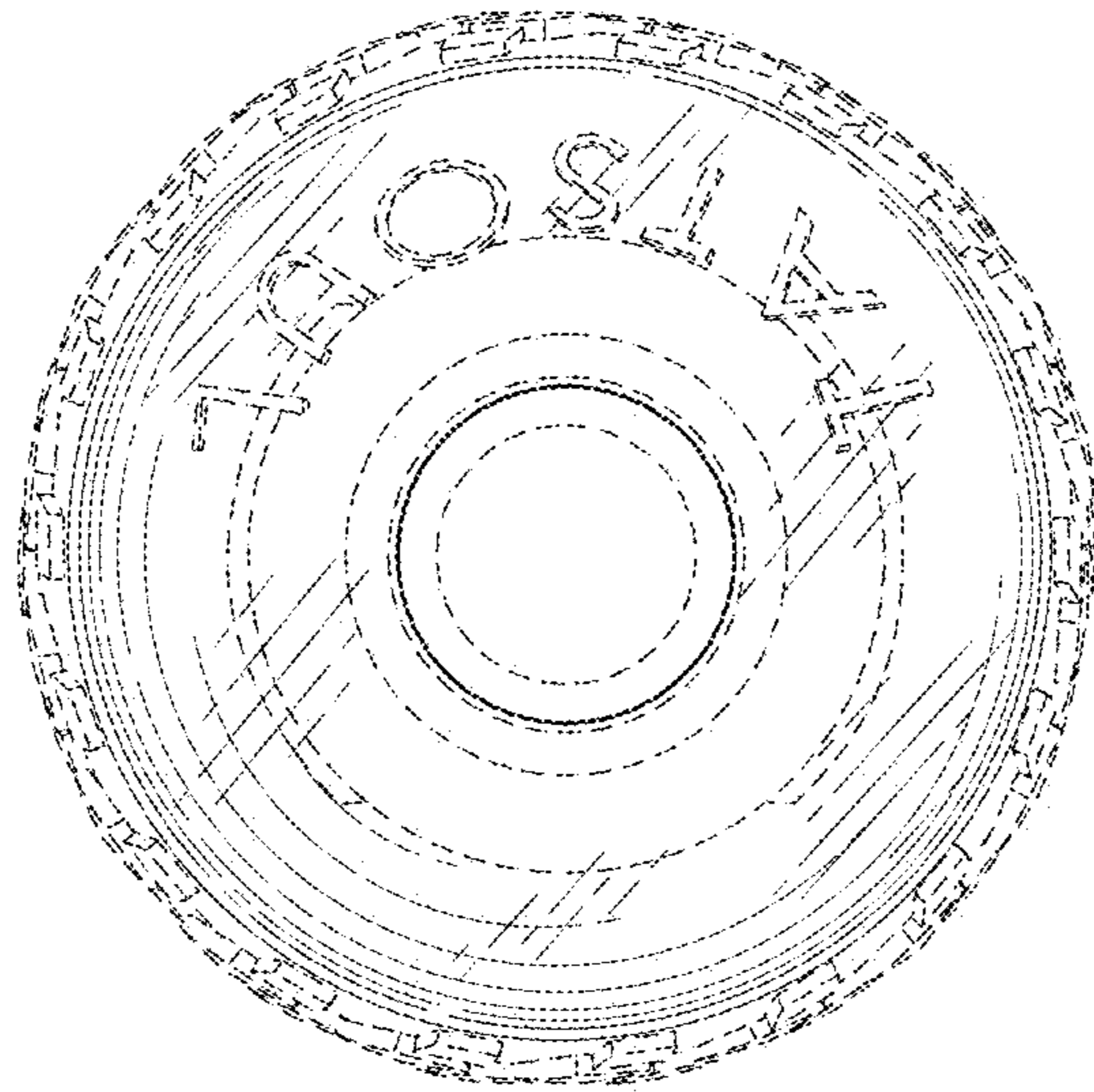


Fig.21