



US00D972129S

(12) **United States Design Patent** (10) **Patent No.:** **US D972,129 S**
Wei (45) **Date of Patent:** **** Dec. 6, 2022**

(54) **NASAL ASPIRATOR SET WITH INTERCHANGEABLE TIPS**

Primary Examiner — Samantha Q Lawrence
(74) *Attorney, Agent, or Firm* — Jeenam Park

(71) Applicant: **Shenzhen Dongjiang Technology Co., Ltd.**, Shenzhen (CN)

(57) **CLAIM**

The ornamental design for a nasal aspirator set with interchangeable tips, as shown and described.

(72) Inventor: **Junjie Wei**, Gongyi (CN)

(73) Assignee: **Shenzhen Dongjiang Technology Co., Ltd.**, Shenzhen (CN)

DESCRIPTION

(**) Term: **15 Years**

FIG. 1 is a perspective view showing an assembled state with a first tip of a nasal aspirator set with interchangeable tips;

(21) Appl. No.: **29/789,934**

FIG. 2 is a perspective view showing an assembled state with a second tip of the nasal aspirator set with interchangeable tips;

(22) Filed: **Oct. 26, 2021**

FIG. 3 is a perspective view showing an assembled state with a third tip of the nasal aspirator set with interchangeable tips;

(30) **Foreign Application Priority Data**

Oct. 9, 2021 (EM) 008719173-0001

FIG. 4 is a perspective view showing a detached state with the first, second and third tip of the nasal aspirator set with interchangeable tips;

(51) **LOC (13) Cl.** **24-02**

(52) **U.S. Cl.**
USPC **D24/115**

FIG. 5 is a front view showing a detached state with the first, second and third tip of the nasal aspirator set with interchangeable tips;

(58) **Field of Classification Search**
USPC D24/108, 115, 127, 130, 117, 176,
D24/194-197, 223, 226

FIG. 6 is a rear view showing a detached state with the first, second and third tip of the nasal aspirator set with interchangeable tips;

(Continued)

(56) **References Cited**

FIG. 7 is a left side view showing a detached state with the first, second and third tip of the nasal aspirator set with interchangeable tips;

U.S. PATENT DOCUMENTS

D533,658 S * 12/2006 Collins, Jr. D24/115
D684,259 S * 6/2013 Mehta A61H 35/04
D24/115

FIG. 8 is a right side view showing a detached state with the first, second and third tip of the nasal aspirator set with interchangeable tips;

(Continued)

OTHER PUBLICATIONS

Laiwen Nasal Aspirator https://www.amazon.com/LAIWEN-Aspirator-Rechargeable-Automatic-Blue/dp/B09Q19FSQS/ref=sr_1_39?crd=3RTVWIKU2L68&keywords=nasal+aspirator+for+baby&qid=1660410381&srefix=nasal+aspirator+for+baby%2Caps%2C132&sr=8-39 Jan. 8, 2022 (Year: 2022).*

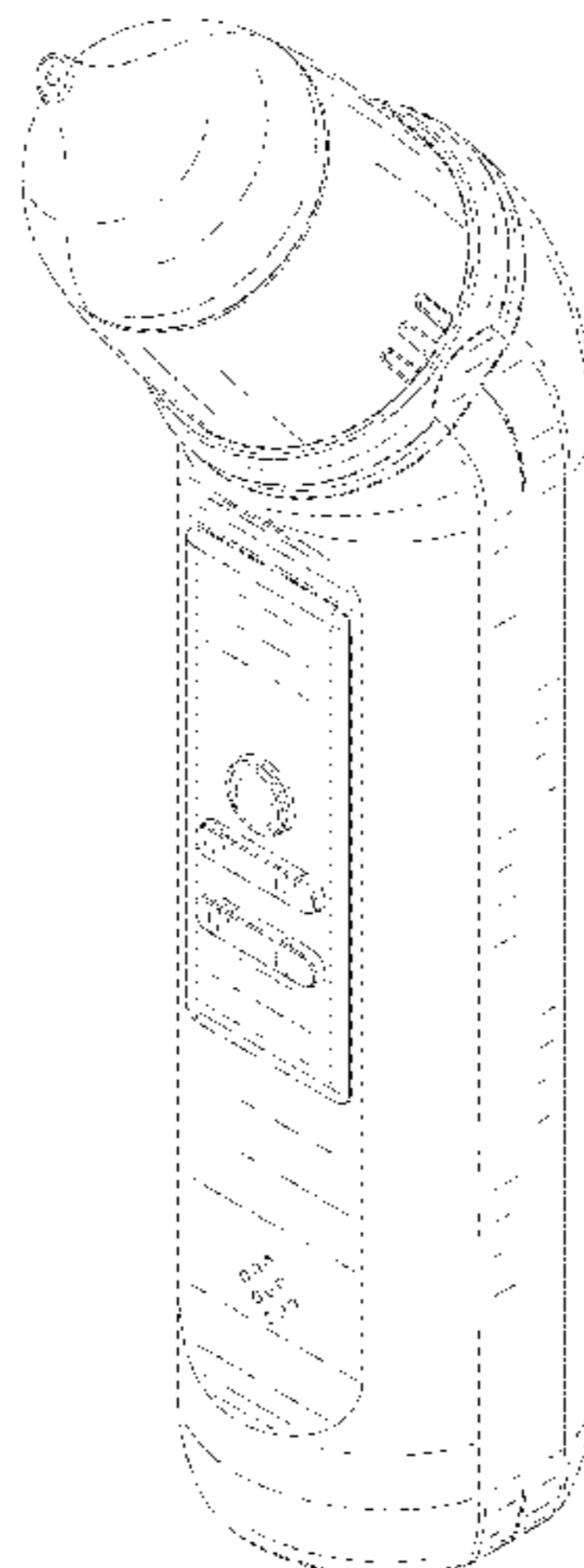
FIG. 9 is a top plan view of the entire assembly including four components of the present invention in a detached status; and,

(Continued)

FIG. 10 is a bottom plan view of the entire assembly including four components of the present invention in a detached status.

The broken line shown in FIGS. 6 and 10 illustrate portions of the nasal aspirator set with interchangeable tips that form no part of the claimed design.

1 Claim, 10 Drawing Sheets



(58) **Field of Classification Search**
 CPC A61M 2210/0618; A61M 1/008; A61M
 1/0003; A61M 16/0463; A61M 2205/8206
 See application file for complete search history.

(56) **References Cited**

U.S. PATENT DOCUMENTS

D739,930 S * 9/2015 Takenouchi D24/111
 D883,470 S 5/2020 Wei
 D897,525 S 9/2020 Novosino
 11,400,200 B2 * 8/2022 Wei A61M 1/76

OTHER PUBLICATIONS

Laiwen Nasal Aspirator 2 https://www.amazon.com/LAIWEN-Aspirator-Rechargeable-Automatic-White/dp/B09XB5GKBJ/ref=pd_rhf_d_cr_s_pd_sbs_rvi_scl_1_32/146-7808213-3404902?pd_rd_w=TKIqC&content-id=amzn1.sym.a089f039-4dde-401a-9041-8b534ae99e65&pf_rd_p=a089f039-4dde-401a-9041—Apr. 6, 2022 (Year: 2022).*

Laiwen Nasal Aspirator 2 [8b534ae99e65&pf_rd_r=JQ3MXH254VS8C1VGHJ4Q&pd_rd_wg=4HyOH&pd_rd_r=3fb87f6a-dacc-4ab6-9c05-fecf6e4784b38pd_rd_i=B09XB5GKBJ&psc=1](https://www.amazon.com/dp/B09XB5GKBJ?pf_rd_r=JQ3MXH254VS8C1VGHJ4Q&pd_rd_wg=4HyOH&pd_rd_r=3fb87f6a-dacc-4ab6-9c05-fecf6e4784b38pd_rd_i=B09XB5GKBJ&psc=1) Apr. 6, 2022 (Year: 2022).*

NZBOMU Baby Nasal Aspirator https://www.amazon.com/NZBOMU-Aspirator-Electric-Silicone-Rechargeable/dp/B09RFZ784P/ref=sr_1_41?crid=3RTVWIQKU2L68&keywords=nasal+aspirator+for+baby&qid=1660410507&prefix=nasal+aspirator+for+baby%2Caps%2C132&sr=8-41 Mar. 25, 2022 (Year: 2022).*

Vicloon Baby Nasal Aspirator https://www.amazon.co.uk/dp/B09QLBC2K/ref=sspa_dk_detail_5?psc=1&pf_rd_p=921b36ab-ae54-4e01-9727-6b290ca001d3&pf_rd_r=XKSNJE9HYZWH53NA34R2&pd_rd_wg=8wGOp&pd_rd_w=

[AMplp&content-id=amzn1.sym.921b36ab-ae54-4e01-9727-6b290ca001d3&pd_rd_r=be50a52a-dc37-4875-8d52](https://www.amazon.com/dp/B09W4HL1TD/ref=sr_1_59?crid=3RTVWIQKU2L68&keywords=nasal%2Baspirator%2Bfor%2Bbaby&qid=1660410610&srefix=nasal%2Baspirator%2Bfor%2Bbaby%2Caps%2C132&sr=8-59&th=1)—Jan. 9, 2022 (Year: 2022).*

[4a20cbeff415&s=drugstore&sp_csd=d2lkZ2V0TmFtZT1zcF9kZXRhaWwy&spLa=ZW5jcnlwdGVkUXVhbGlmaWVyPUEyU0FKUjFKVFZaOVI1JmVuY3J5cHRIZEIkPUEwNTgxODQ0MUK5SUFQVDFaVkuSSZlbnNyeXBOZWRBZEIkPUEwNTMyMDc4R1ZSVjVYMQzU0RLJndpZGdlE5hbWU9c3BfZGV0YWIsMizhY3Rpb249Y2xpY2tSZWRpcmVjdCZkb05vdExvZ0NsaWNrPXRydWU=](https://www.amazon.com/dp/B09YDFSB5/ref=sr_1_4?crid=141FD7IPLYBPI&keywords=nasal%2Baspirator&qid=1660066608&srefix=nasal%2Baspirator%2Caps%2C319&sr=8-4&th=1) Jan. 9, 2022 (Year: 2022).*

[MLMYH Baby Nasal Aspirator](https://www.amazon.com/Aspirator-Low-Frequency-Silicone-Replaced-Rechargeable/dp/B09W4HL1TD/ref=sr_1_59?crid=3RTVWIQKU2L68&keywords=nasal%2Baspirator%2Bfor%2Bbaby&qid=1660410610&srefix=nasal%2Baspirator%2Bfor%2Bbaby%2Caps%2C132&sr=8-59&th=1) https://www.amazon.com/Aspirator-Low-Frequency-Silicone-Replaced-Rechargeable/dp/B09W4HL1TD/ref=sr_1_59?crid=3RTVWIQKU2L68&keywords=nasal%2Baspirator%2Bfor%2Bbaby&qid=1660410610&srefix=nasal%2Baspirator%2Bfor%2Bbaby%2Caps%2C132&sr=8-59&th=1 Mar. 22, 2022 (Year: 2022).*

[Nuliie Baby Nasal Aspirator](https://www.amazon.com/Aspirator-Rechargeable-Nuliie-Electric-Silicone/dp/B09YDFSB5/ref=sr_1_4?crid=141FD7IPLYBPI&keywords=nasal%2Baspirator&qid=1660066608&srefix=nasal%2Baspirator%2Caps%2C319&sr=8-4&th=1) https://www.amazon.com/Aspirator-Rechargeable-Nuliie-Electric-Silicone/dp/B09YDFSB5/ref=sr_1_4?crid=141FD7IPLYBPI&keywords=nasal%2Baspirator&qid=1660066608&srefix=nasal%2Baspirator%2Caps%2C319&sr=8-4&th=1 Apr. 20, 2022 (Year: 2022).*

[Grownsy Baby Nasal Aspirator](https://www.amazon.co.uk/dp/B08CMWHD3B/ref=sspa_dk_detail_2?pd_rd_i=B08CMWHD3B&pd_rd_w=D6gKX&content-id=amzn1.sym.1d17a7d9-68f2-46c6-a55b-f888c57f8c2e&pf_rd_p=1d17a7d9-68f2-46c6-a55b-f888c57f8c2e&pf_rd_r=GBFEFG6ZTRTATW4CW6T2&pd_20) https://www.amazon.co.uk/dp/B08CMWHD3B/ref=sspa_dk_detail_2?pd_rd_i=B08CMWHD3B&pd_rd_w=D6gKX&content-id=amzn1.sym.1d17a7d9-68f2-46c6-a55b-f888c57f8c2e&pf_rd_p=1d17a7d9-68f2-46c6-a55b-f888c57f8c2e&pf_rd_r=GBFEFG6ZTRTATW4CW6T2&pd_20 Nov. 2020 (Year: 2020).*

[rd_wg=B6VIL&pd_rd_r=e36a43cf-ec72-48c1-bede-9ddb143a1b9&s=drugstore&sp_csd=d2lkZ2V0TmFtZT1zcF9kZXRhaWwy&smid=A13CJB5VSIDZDE&spLa=ZW5jcnlwdGVkUXVhbGlmaWVyPUEyU0FKUjFKVFZaOVI1JmVuY3J5cHRIZEIkPUEwNTk1MTYzMTAxMks0Uko3RFBuWVIRNCZ3aWRnZXROYW1lPXNwX2R](https://www.amazon.com/dp/B09YDFSB5?pf_rd_r=B6VIL&pd_rd_r=e36a43cf-ec72-48c1-bede-9ddb143a1b9&s=drugstore&sp_csd=d2lkZ2V0TmFtZT1zcF9kZXRhaWwy&smid=A13CJB5VSIDZDE&spLa=ZW5jcnlwdGVkUXVhbGlmaWVyPUEyU0FKUjFKVFZaOVI1JmVuY3J5cHRIZEIkPUEwNTk1MTYzMTAxMks0Uko3RFBuWVIRNCZ3aWRnZXROYW1lPXNwX2R) (Year: 2020).*

[IdGFpbCzhY3Rpb249Y2xpY2tSZWRpcmVjdCZkb05vdExvZ0NsaWNrPXRydWU&th=1](https://www.amazon.com/dp/B09YDFSB5?pf_rd_r=IdGFpbCzhY3Rpb249Y2xpY2tSZWRpcmVjdCZkb05vdExvZ0NsaWNrPXRydWU&th=1) Nov. 20, 2020 (Year: 2020).*

* cited by examiner

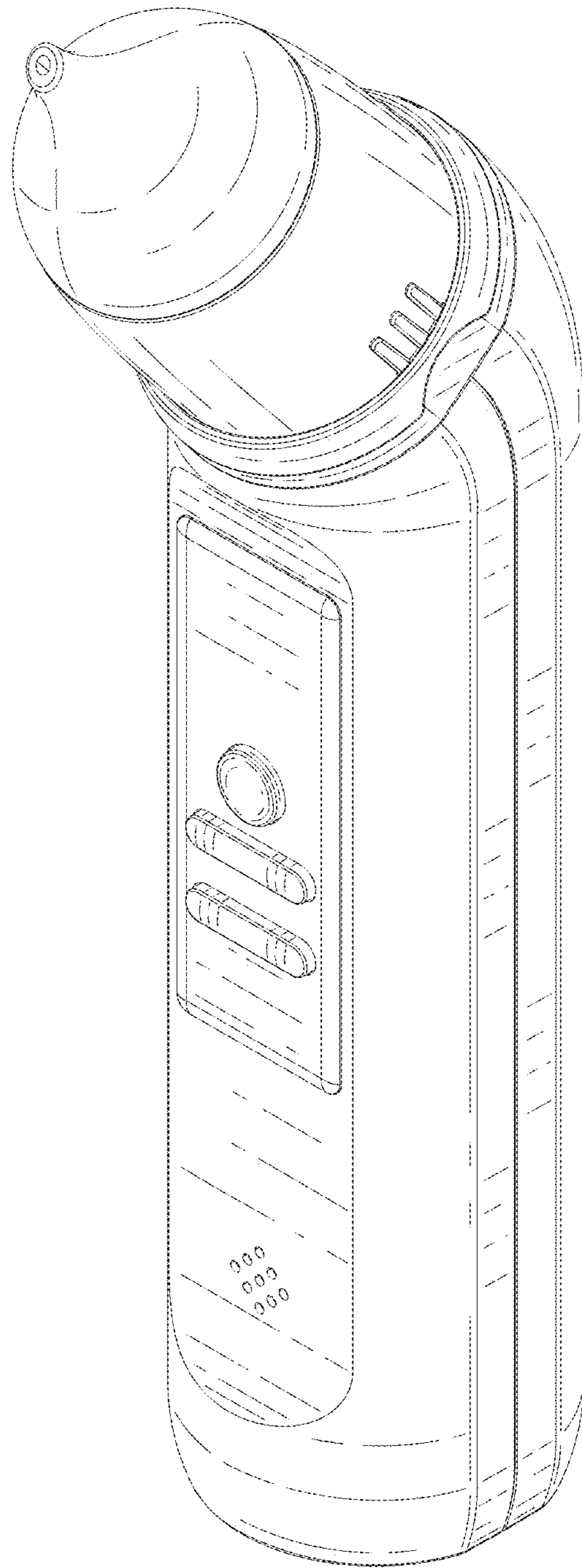


FIG. 1

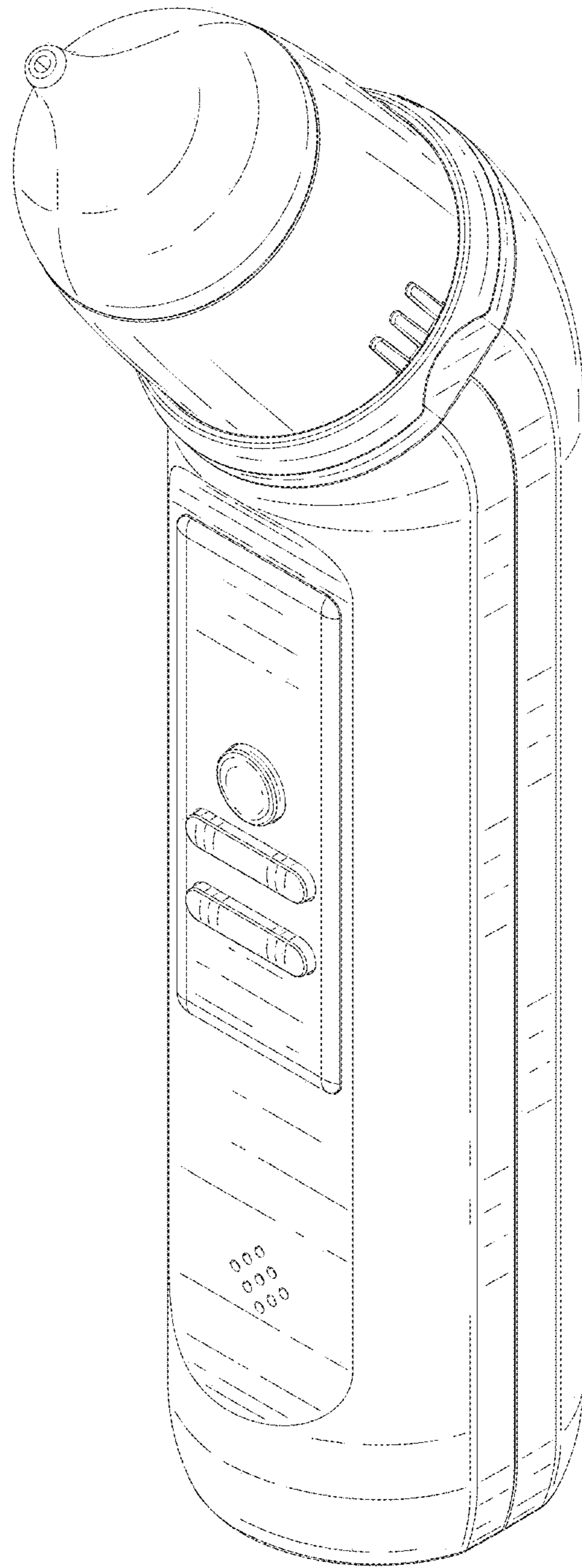


FIG. 2

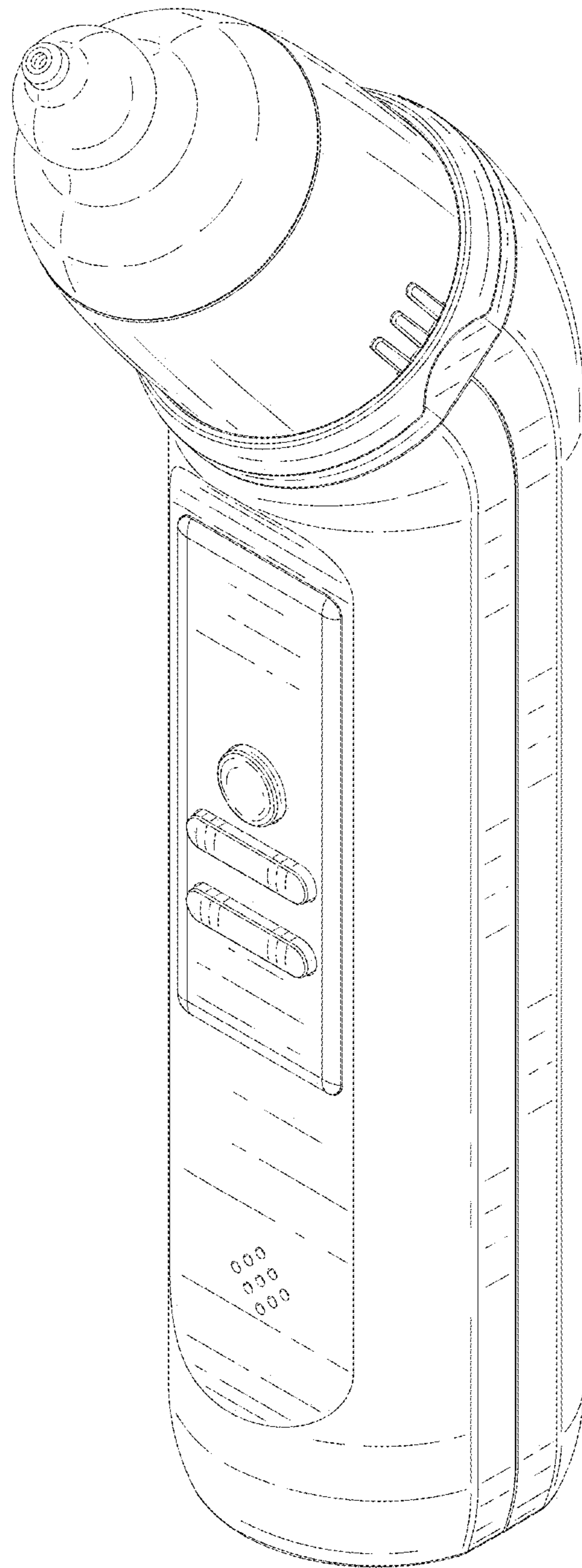


FIG. 3

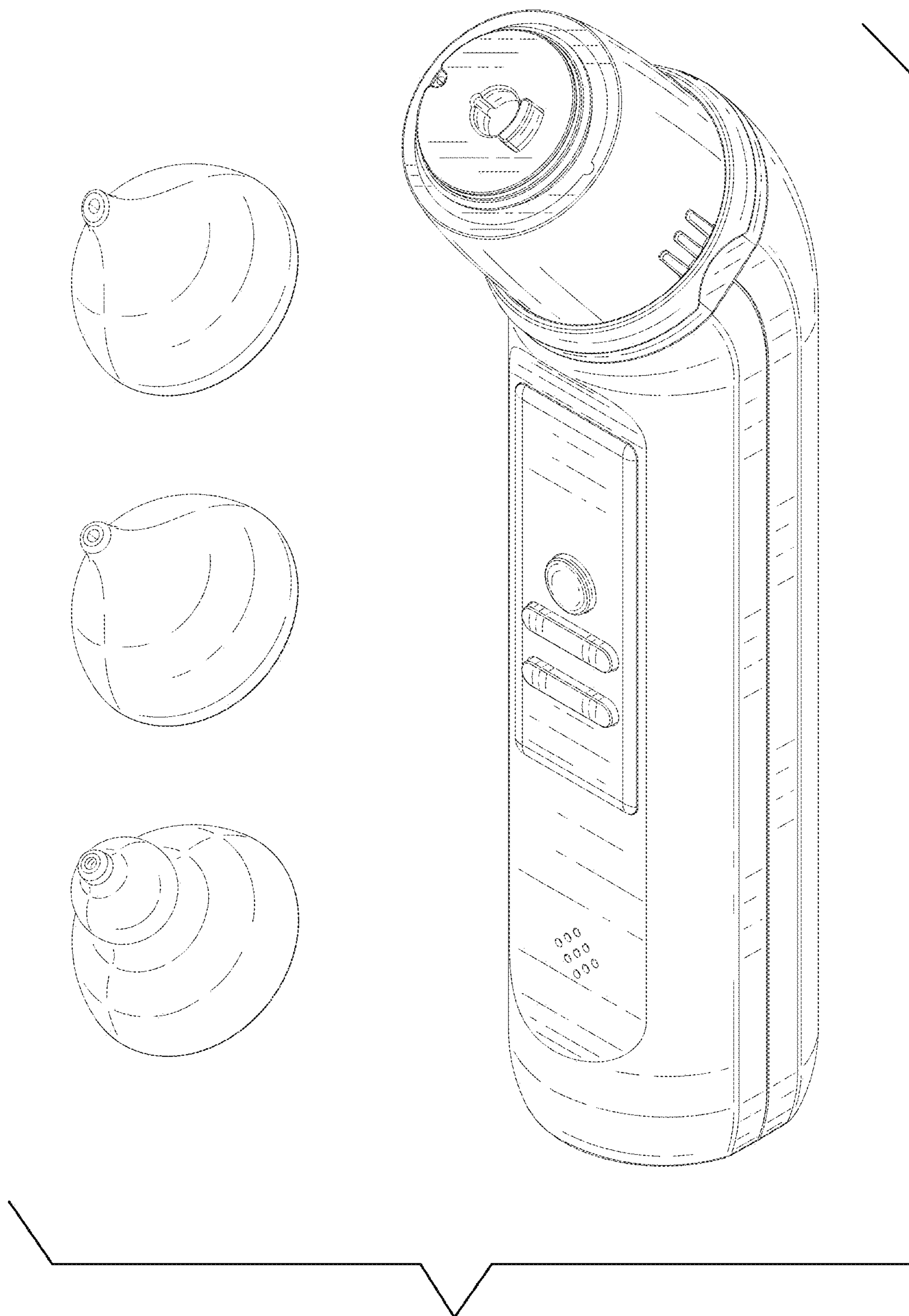


FIG. 4

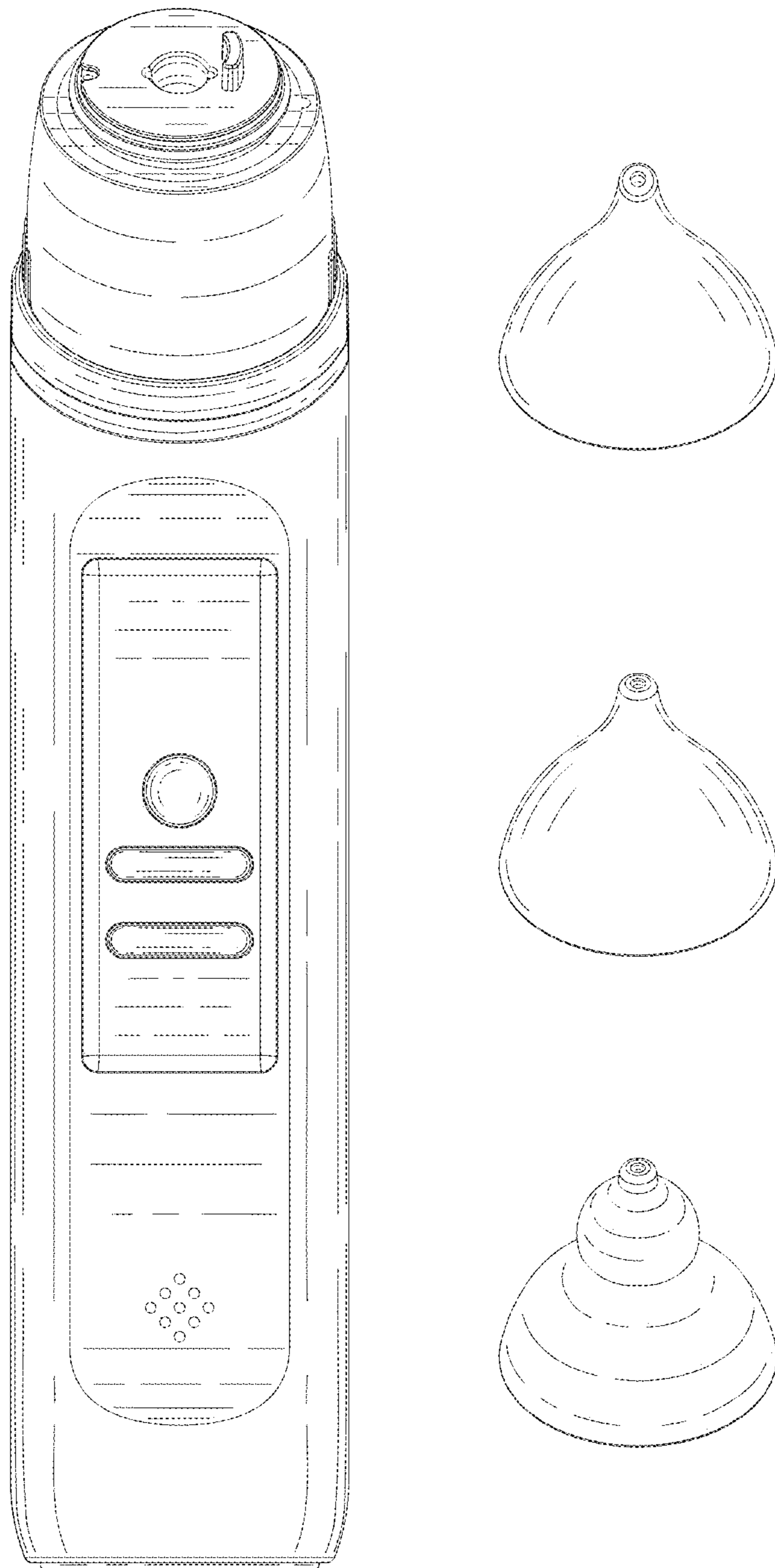


FIG. 5

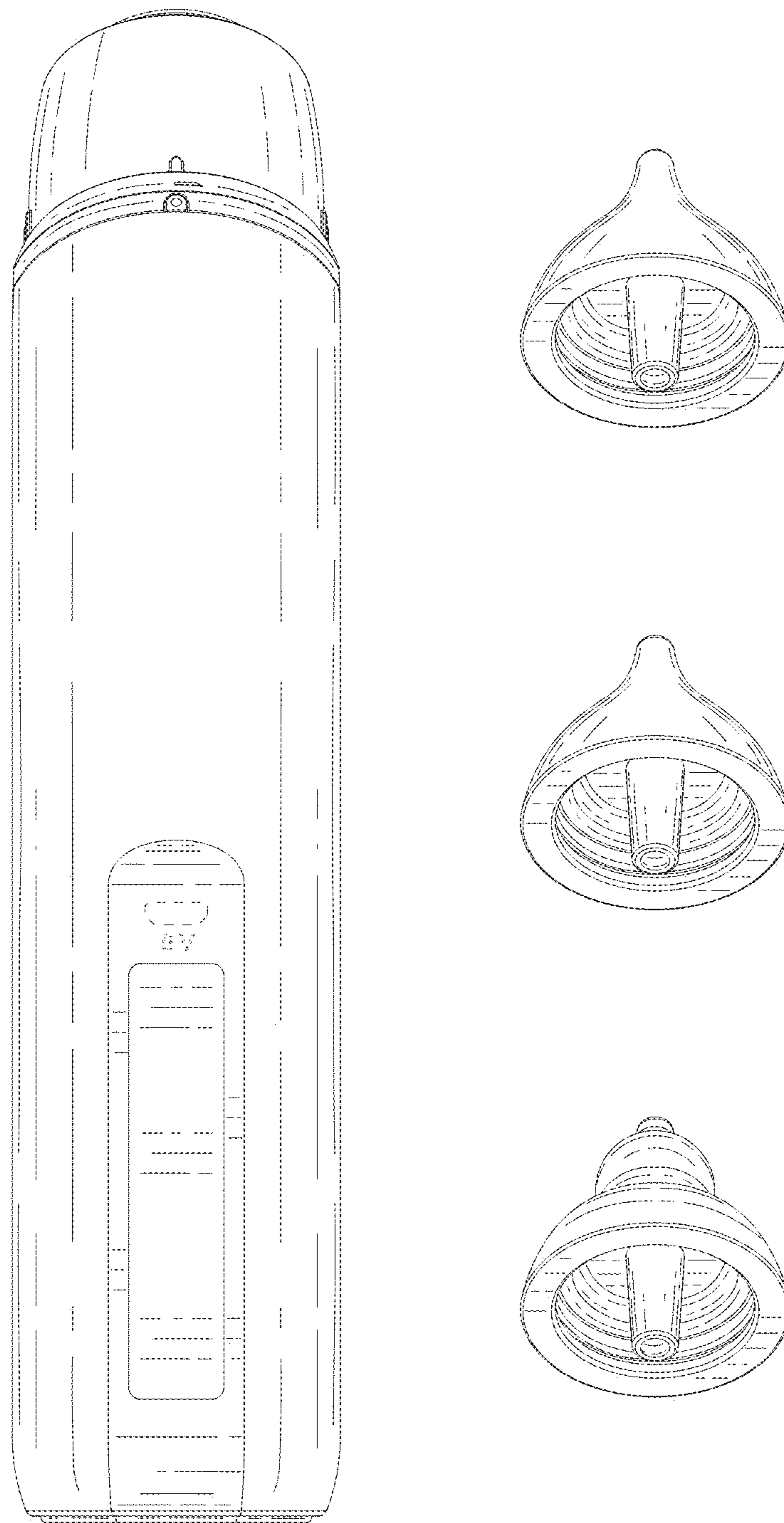


FIG. 6

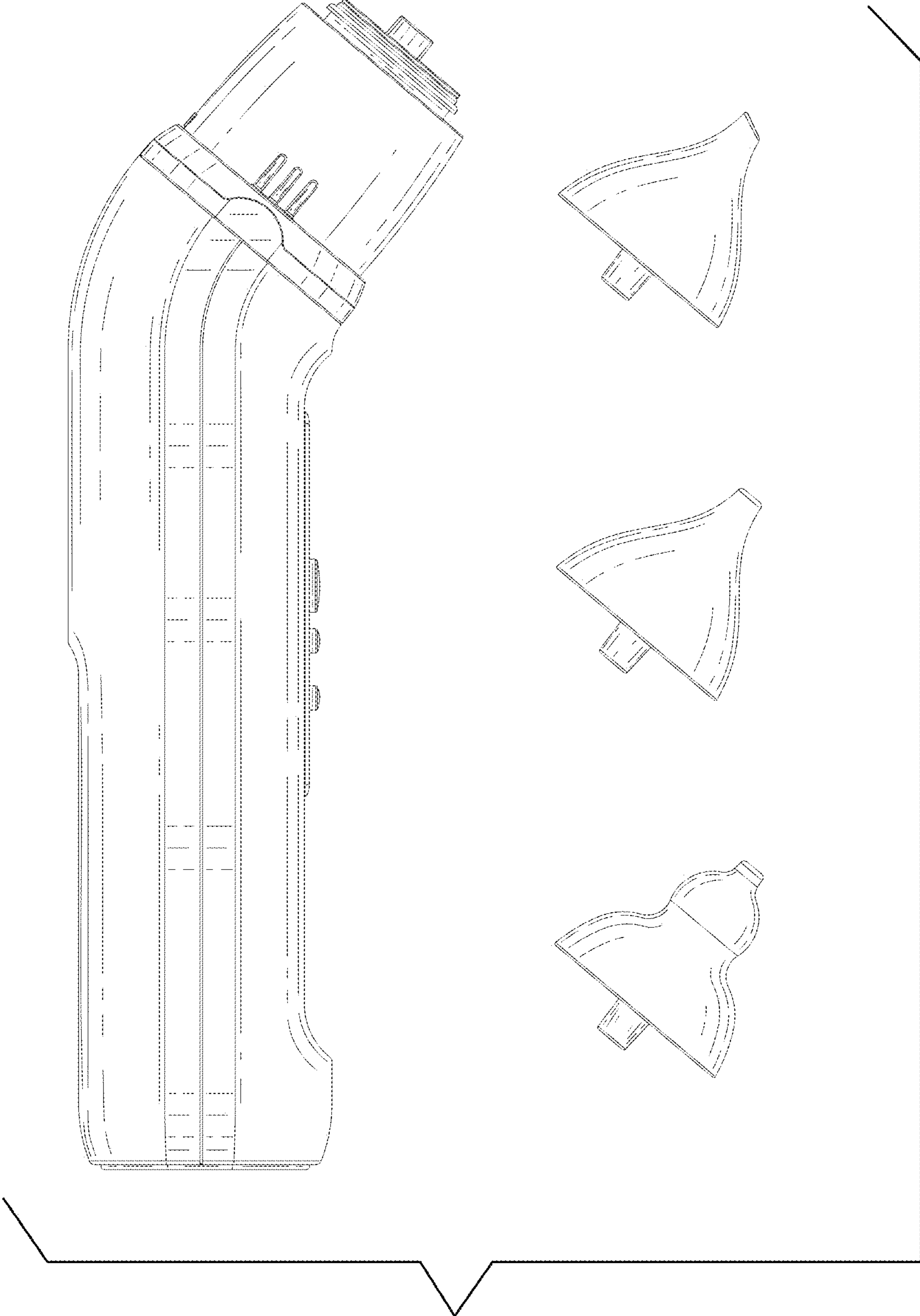


FIG. 7

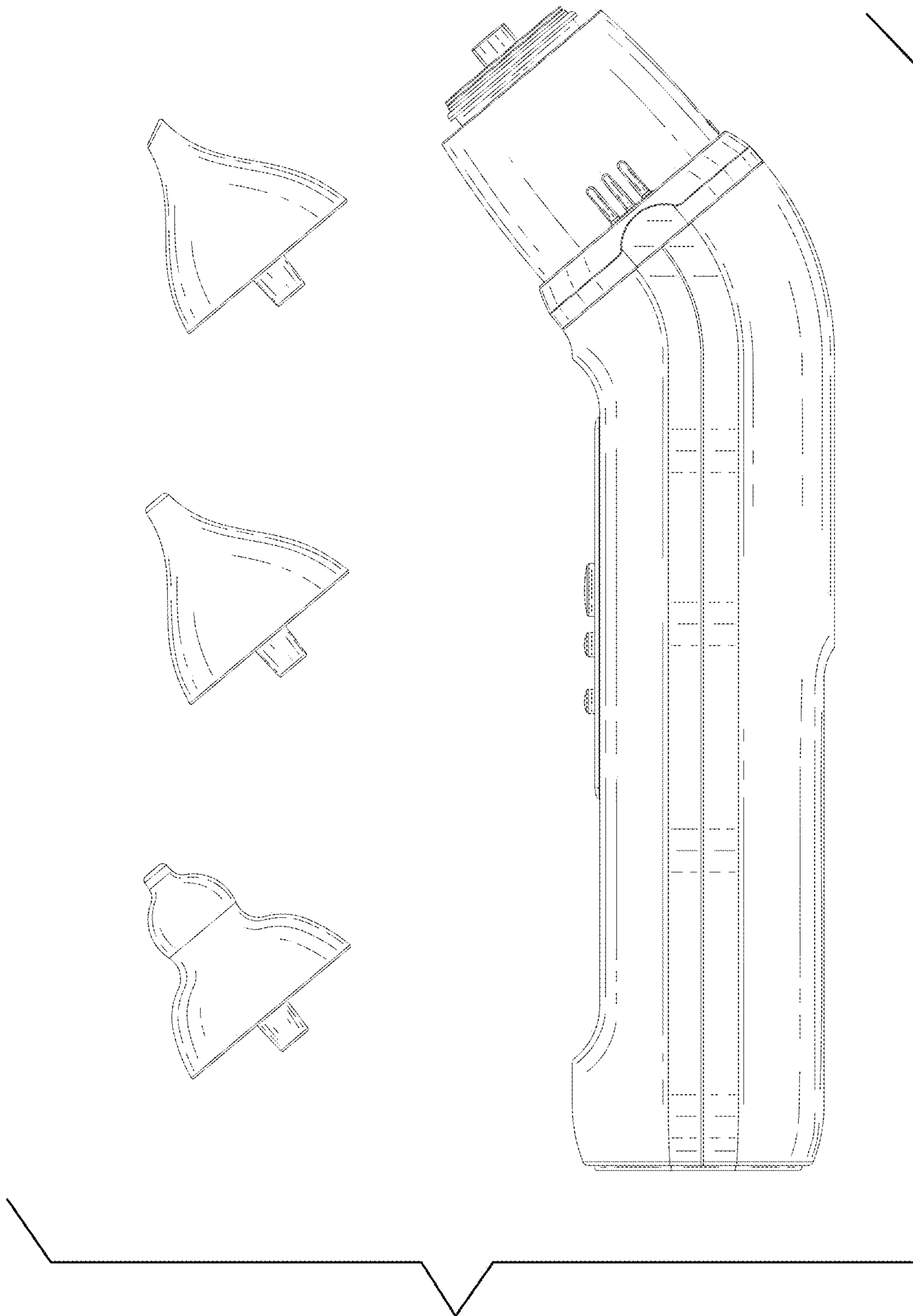


FIG. 8

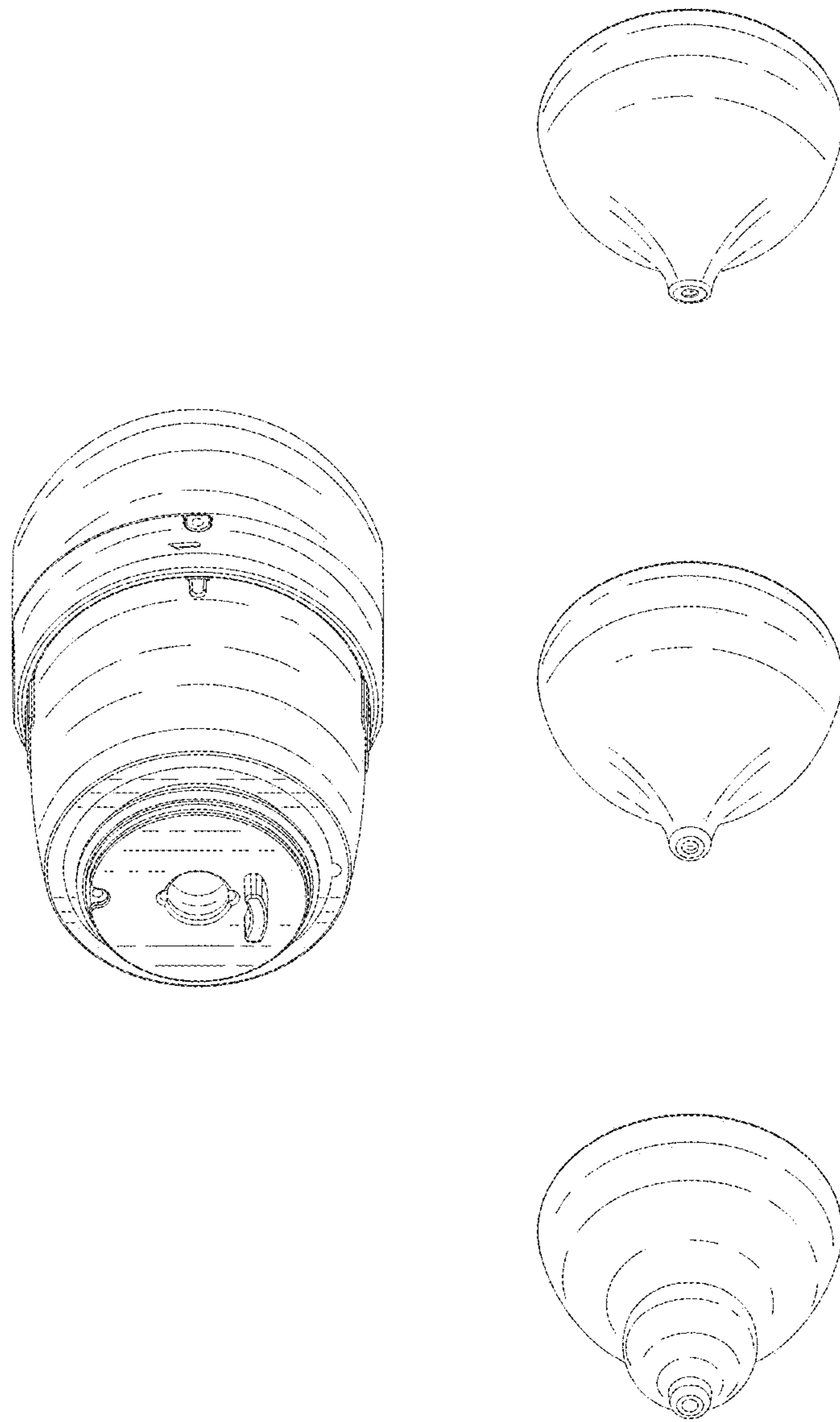


FIG. 9

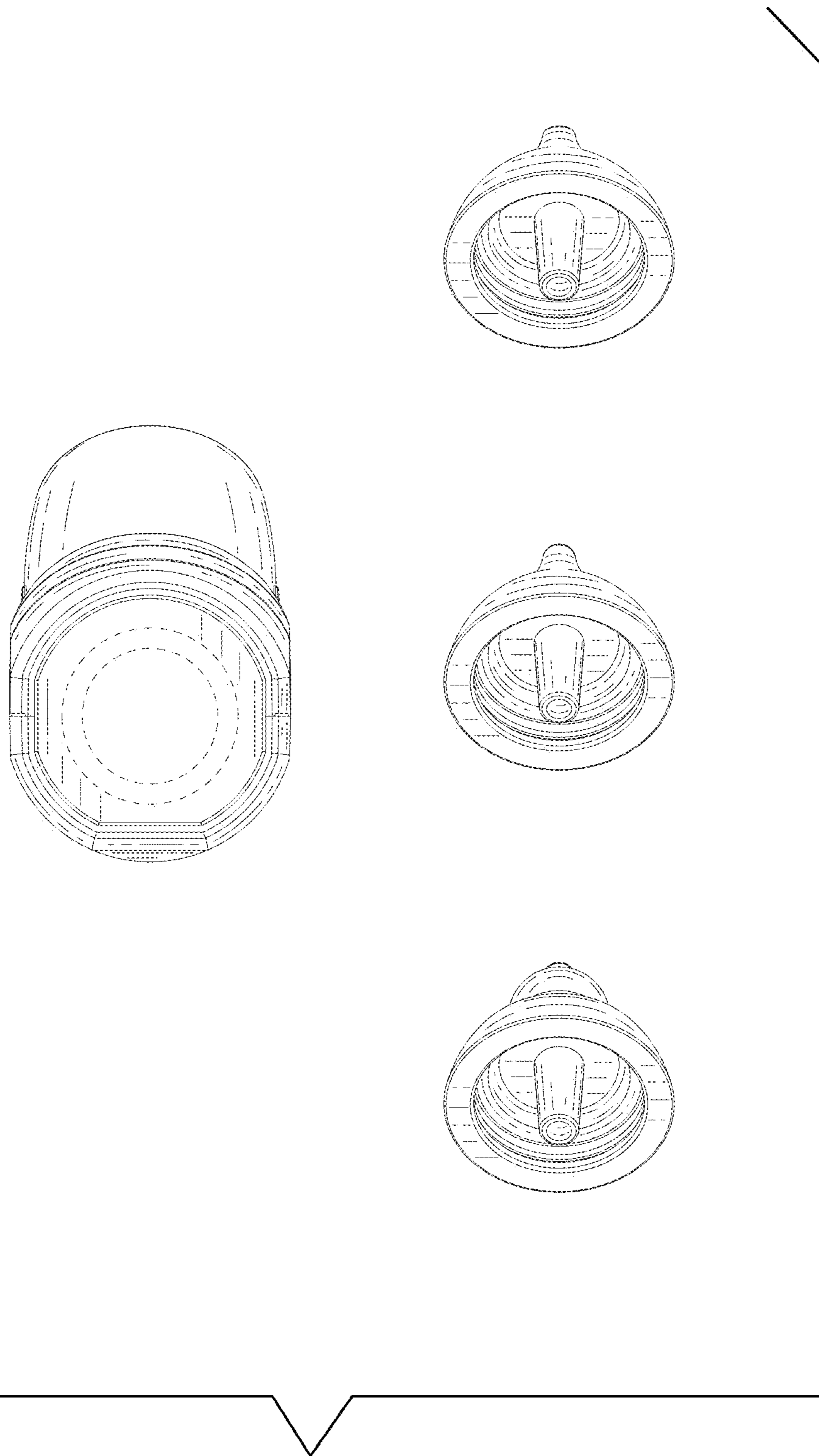


FIG. 10