



US00D972127S

(12) **United States Design Patent** (10) **Patent No.:** **US D972,127 S**  
**Troll et al.** (45) **Date of Patent:** **\*\* Dec. 6, 2022**

(54) **DRUG DELIVERY DEVICE WITH DOCKING STATION**

(71) Applicant: **Sensile Medical AG**, Olten (CH)

(72) Inventors: **Iona Julianna Troll**, Baden (CH);  
**Marco Drüssel**, Fuluibach (CH);  
**Marika Buratti**, Aarau (CH);  
**Christian Schmid**, Aarau (CH); **Peter Christen**, Obergerlafingen (CH)

(\*\*) Term: **15 Years**

(21) Appl. No.: **35/510,998**

(22) Filed: **Jun. 22, 2020**

(80) **Hague Agreement Data**

Int. Filing Date: **Jun. 22, 2020**  
Int. Reg. No.: **DM/209280**  
Int. Reg. Date: **Jun. 22, 2020**  
Int. Reg. Pub. Date: **Dec. 25, 2020**

(30) **Foreign Application Priority Data**

Dec. 24, 2019 (CH) ..... 145092

(51) **LOC (13) Cl.** ..... **24-02**

(52) **U.S. Cl.**  
USPC ..... **D24/113**

(58) **Field of Classification Search**  
USPC ..... D24/113, 130; D13/162, 184;  
D14/203.8, 341, 346, 447, 451  
CPC ..... A61M 5/14248; A61M 2005/14252  
See application file for complete search history.

(56) **References Cited**

**U.S. PATENT DOCUMENTS**

831,939 A 9/1906 Deming  
D212,840 S 11/1968 Price et al.  
D355,644 S \* 2/1995 Risko ..... D21/331  
D359,920 S \* 7/1995 Sakamoto ..... D10/65  
D366,840 S 2/1996 Schagerström

D419,090 S 1/2000 Folos et al.  
D467,890 S \* 12/2002 Lai ..... D14/138 G  
D475,047 S \* 5/2003 Choi ..... D14/346  
D479,746 S \* 9/2003 Tyce ..... D24/114  
D488,471 S \* 4/2004 Yagawa ..... D14/346  
D525,549 S 7/2006 Crewz  
D599,793 S \* 9/2009 Ko ..... D14/346  
D654,078 S \* 2/2012 Zhou ..... D14/434  
D695,391 S \* 12/2013 Takemoto ..... D24/113  
D695,392 S \* 12/2013 Tani ..... D24/113  
D695,394 S \* 12/2013 Takemoto ..... D24/113  
D695,395 S \* 12/2013 Tani ..... D24/113  
D732,410 S \* 6/2015 Waaler ..... D24/113  
D771,244 S \* 11/2016 Takemoto ..... D24/113

(Continued)

**OTHER PUBLICATIONS**

Healthcare Packaging. Ever Pharma Improves Parkinson Patients' Experience through Micro-Infusion Pump. Aug. 13, 2019. <https://www.healthcarepackaging.com/markets/medical-devices/-packaging/news/13701873/ever-pharma-improves-parkinson-patients-experience-through-microinfusion-pump> (Year: 2019).\*

(Continued)

*Primary Examiner* — Darcey E Gottschalk

(57) **CLAIM**

The ornamental design for a drug delivery device with docking station, as shown and described.

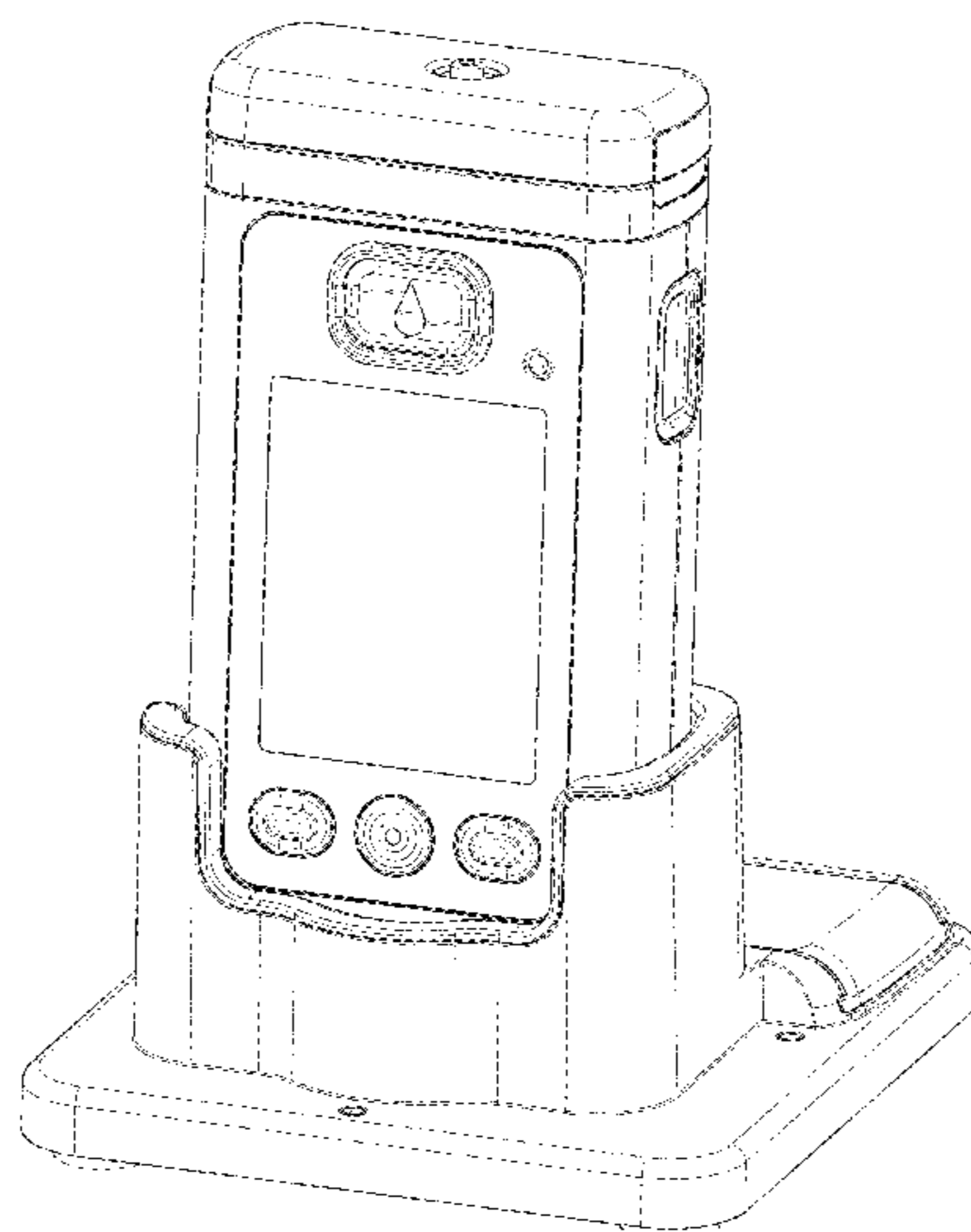
**DESCRIPTION**

1. Drug delivery device with docking station

- 1.1 : Perspective
- 1.2 : Front
- 1.3 : Back
- 1.4 : Top
- 1.5 : Bottom
- 1.6 : Left
- 1.7 : Right

The broken lines depict portions of the drug delivery device with docking station that form no part of the claimed design.

**1 Claim, 7 Drawing Sheets**



(56)

References Cited

U.S. PATENT DOCUMENTS

D776,119	S *	1/2017	Plante .....	G06F 1/1632 D14/434
D778,669	S	2/2017	Kestenbaum	
D802,459	S	11/2017	Lemke	
D819,398	S	6/2018	Kestenbaum	
D845,151	S	4/2019	Logue	
10,695,491	B2 *	6/2020	Day .....	A61M 5/31525
11,160,922	B2 *	11/2021	Just .....	A61M 5/14248
D941,996	S *	1/2022	Tani .....	D24/113
D955,566	S *	6/2022	Gregory .....	D24/113
2006/0250764	A1 *	11/2006	Howarth .....	G06F 1/1632 361/679.56
2006/0258409	A1 *	11/2006	Kogan .....	H02J 7/0044 455/573
2008/0019082	A1 *	1/2008	Krieger .....	H01Q 1/081 343/702
2008/0157716	A1 *	7/2008	Jo .....	H02J 7/0044 710/303
2009/0292851	A1 *	11/2009	Mead .....	G06F 1/1632 710/303
2012/0182675	A1 *	7/2012	Zhou .....	H04M 1/04 361/679.01
2013/0003291	A1 *	1/2013	Zhou .....	F16M 13/00 361/679.41
2021/0361920	A1	11/2021	Tran	

OTHER PUBLICATIONS

Twitter. @Gerresheimer. Aug. 21, 2019. <https://twitter.com/gerresheimer/status/1164151100884299776> (Year: 2019).\*

Youtube. Instructievideo D-mine pomp by Eurocept Homecare. Dec. 18, 2019. <https://www.youtube.com/watch?v=KoGFjfOjf4Q> (Year: 2019).\*

MedGadget, "D-mine Pump for Continuous Delivery of Parkinson's Meds", Jul. 9, 2019, <https://www.medgadget.com/2019/07/d-mine-pump-for-continuous-delivery-of-parkinsons-meds.html>, pp. 1-2.

NS Medical Devices, "Ever Pharma introduces portable micro infusion device for Parkinson's disease" Jul. 2, 2019, <https://www.nsmedicaldevices.com/news/ever-pharm-micro-infusion-parkinsons>, pp. 1-2.

Sensile Medical Customer Newsletter, Update, Jul. 28, 2019, [https://www.gerresheimer.com/fileadmin/user\\_upload/user\\_upload/Company/newsroom/newsletter/healthcare-pharma/2019/Gx\\_Update28\\_en.pdf](https://www.gerresheimer.com/fileadmin/user_upload/user_upload/Company/newsroom/newsletter/healthcare-pharma/2019/Gx_Update28_en.pdf), pp. 1-10.

"Gerresheimer extends business model and increases growth forecast", Jul. 11, 2018, pp. 1-6.

"Ever Pharma Launches Innovative, Patient Friendly Subcutaneous Pump for Parkinson's Disease" Jul. 1, 2019, <https://www.businesswire.com/news/home/20190630005001en/Pharma-Launches-Innovative-Patient-Friendly-Subcutaneous-Pump>, pp. 1-3.

\* cited by examiner

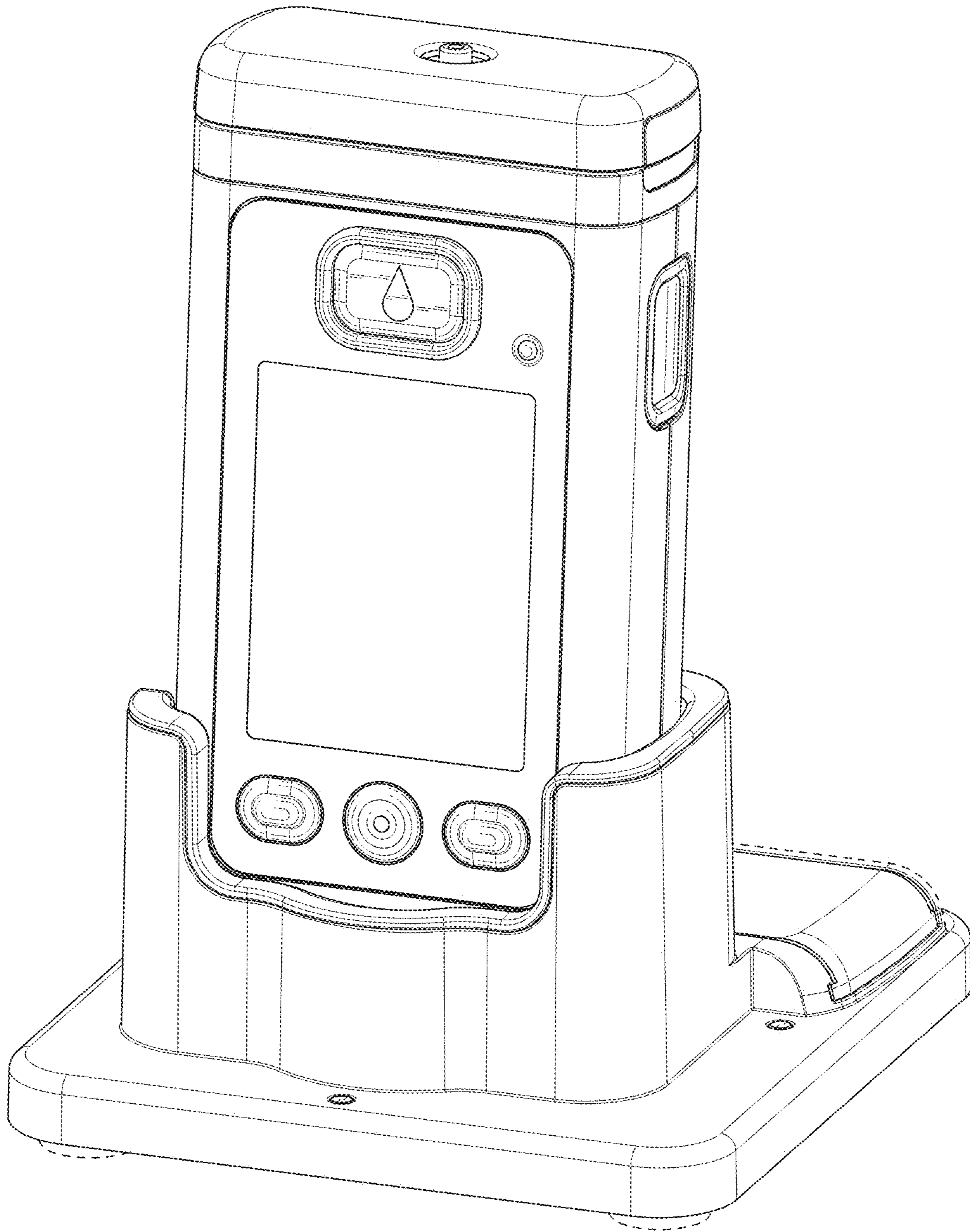


FIG. 1.1

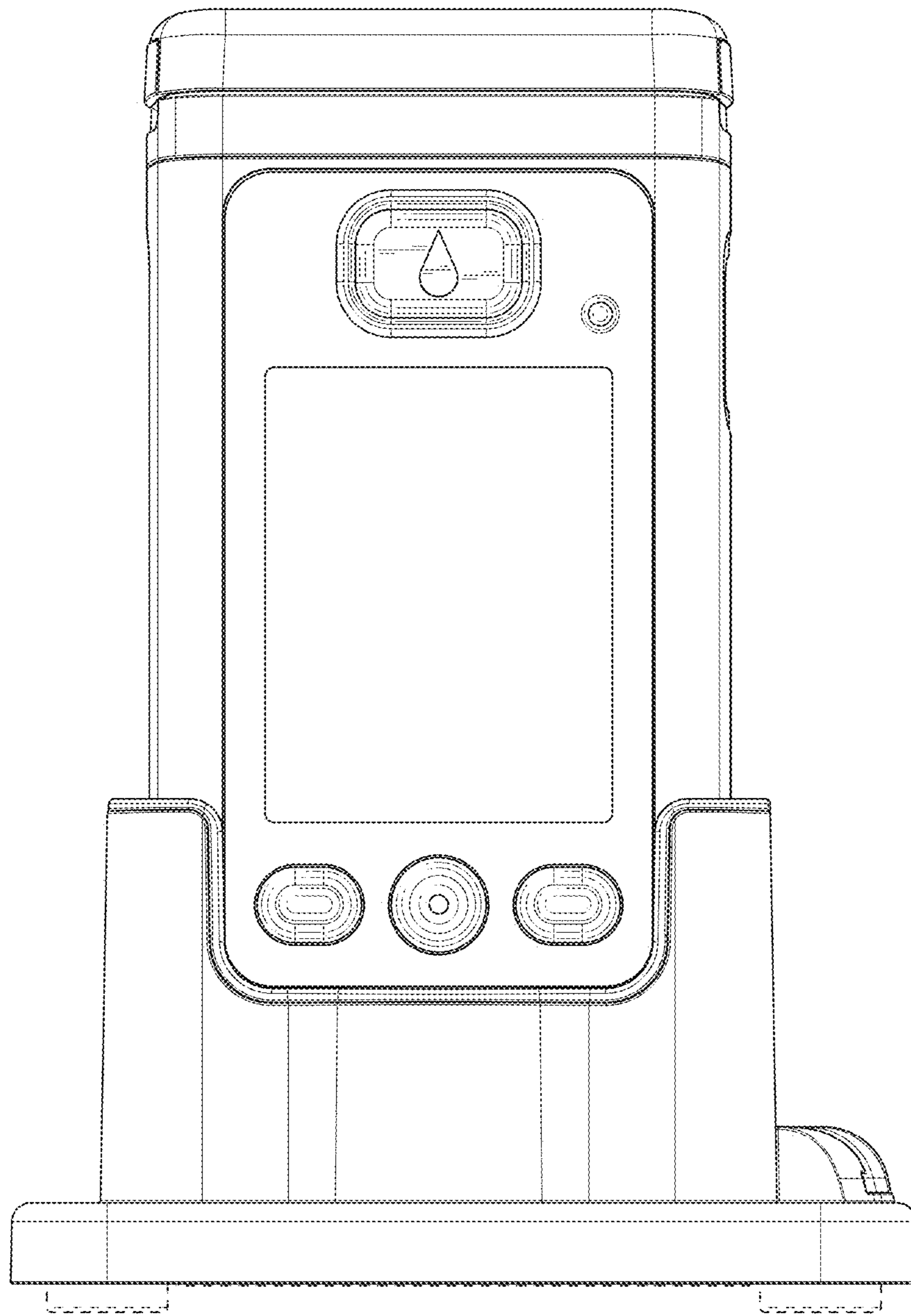


FIG. 1.2

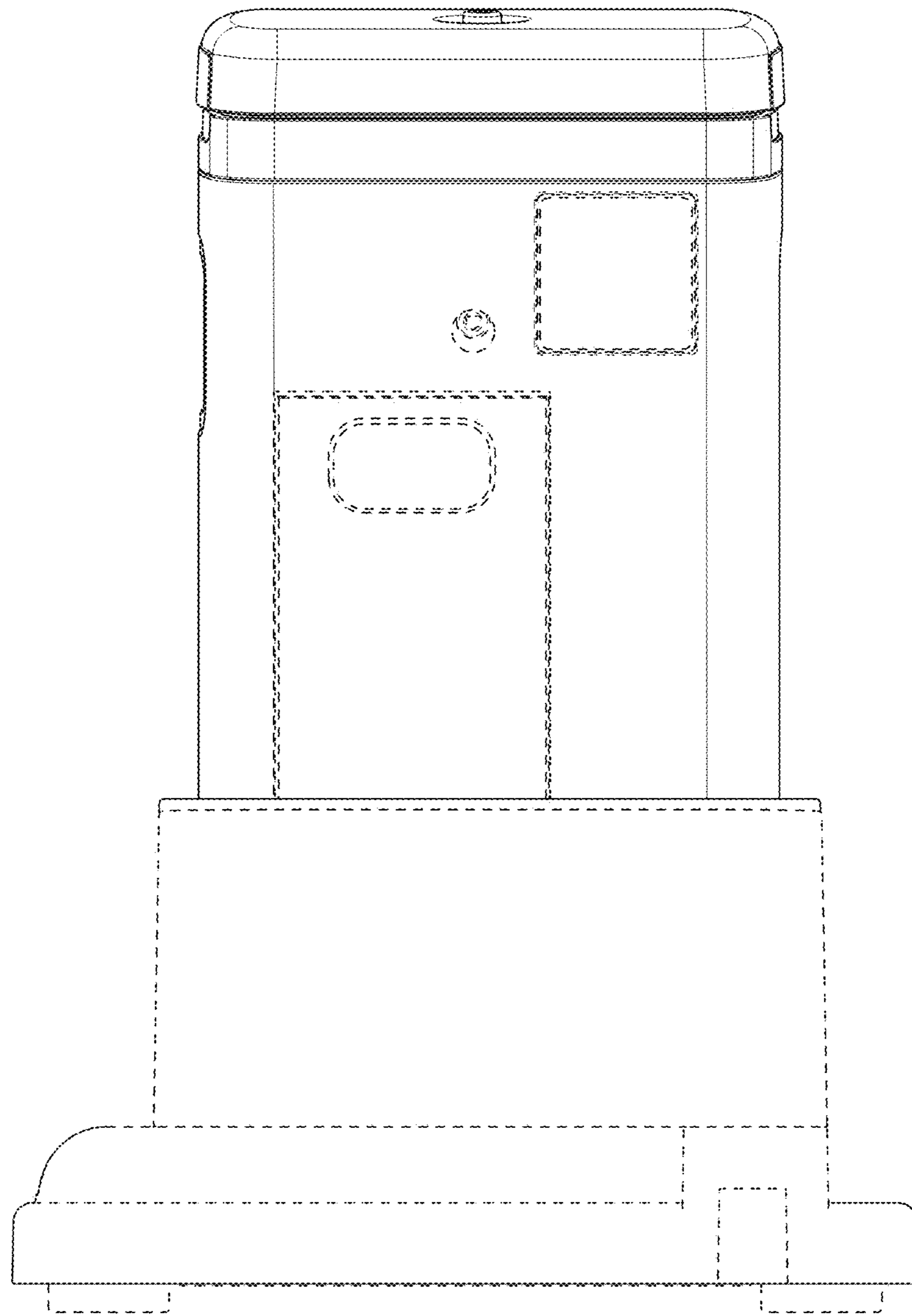


FIG. 1.3

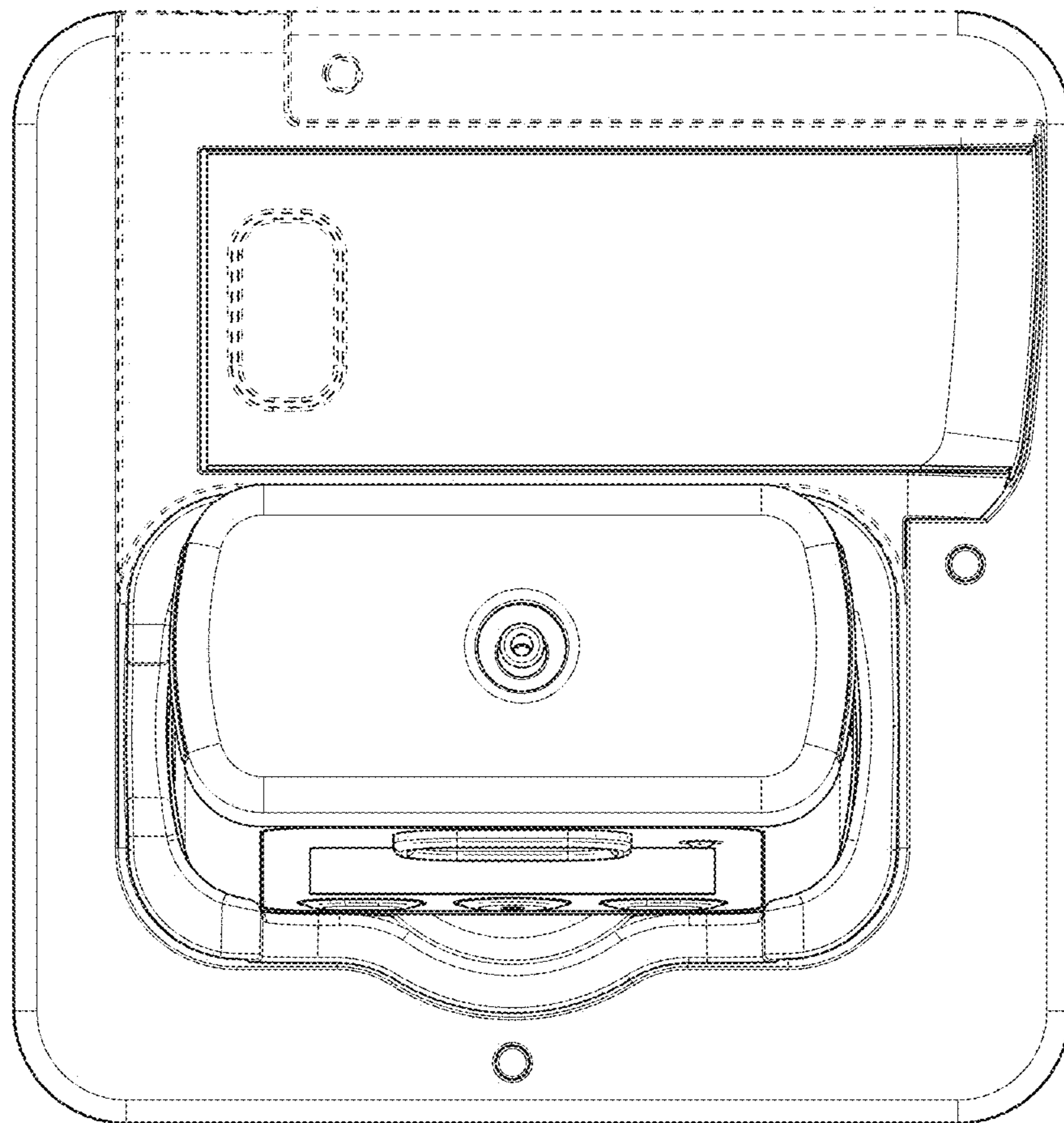


FIG. 1.4

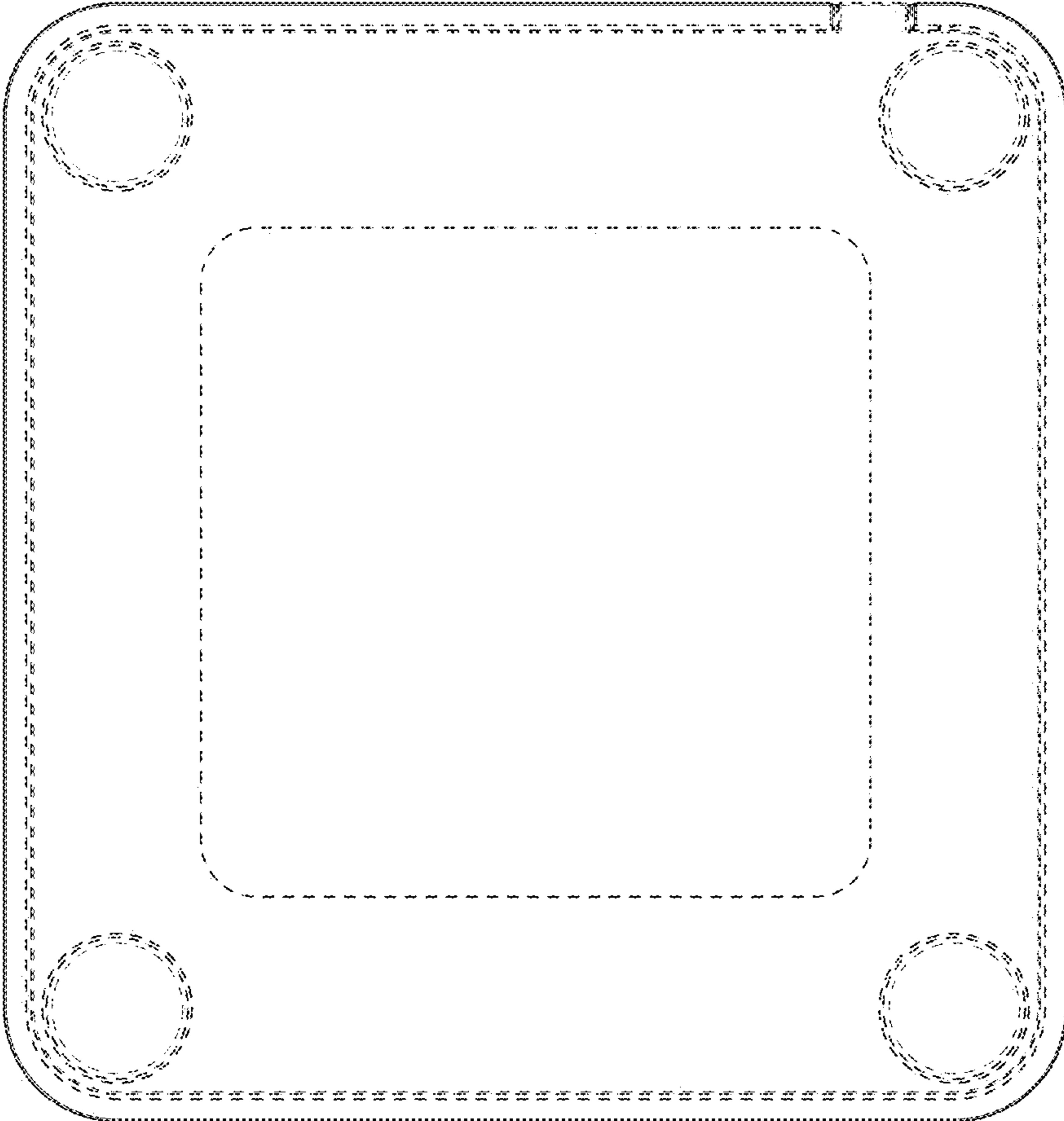


FIG. 1.5

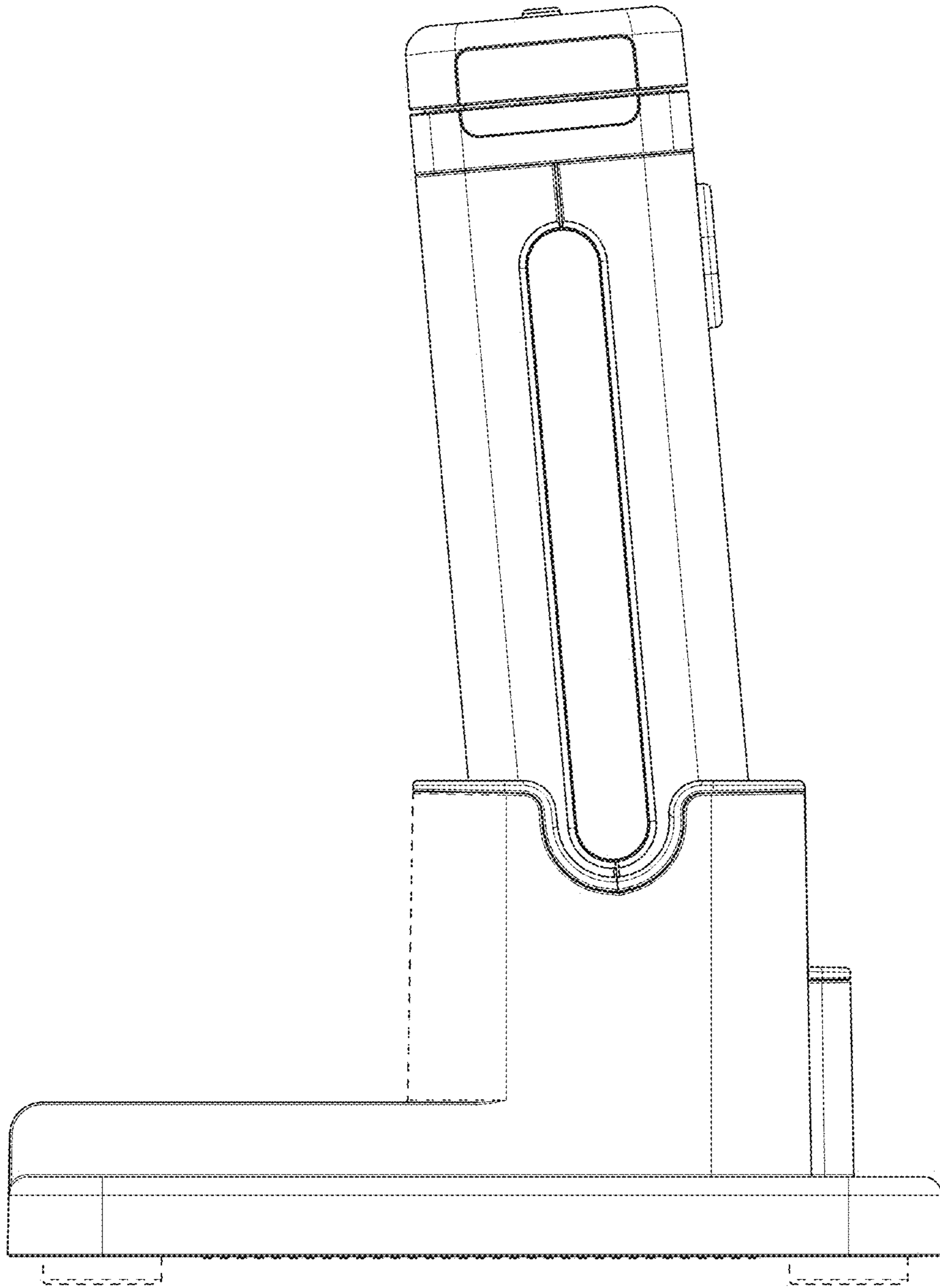


FIG. 1.6



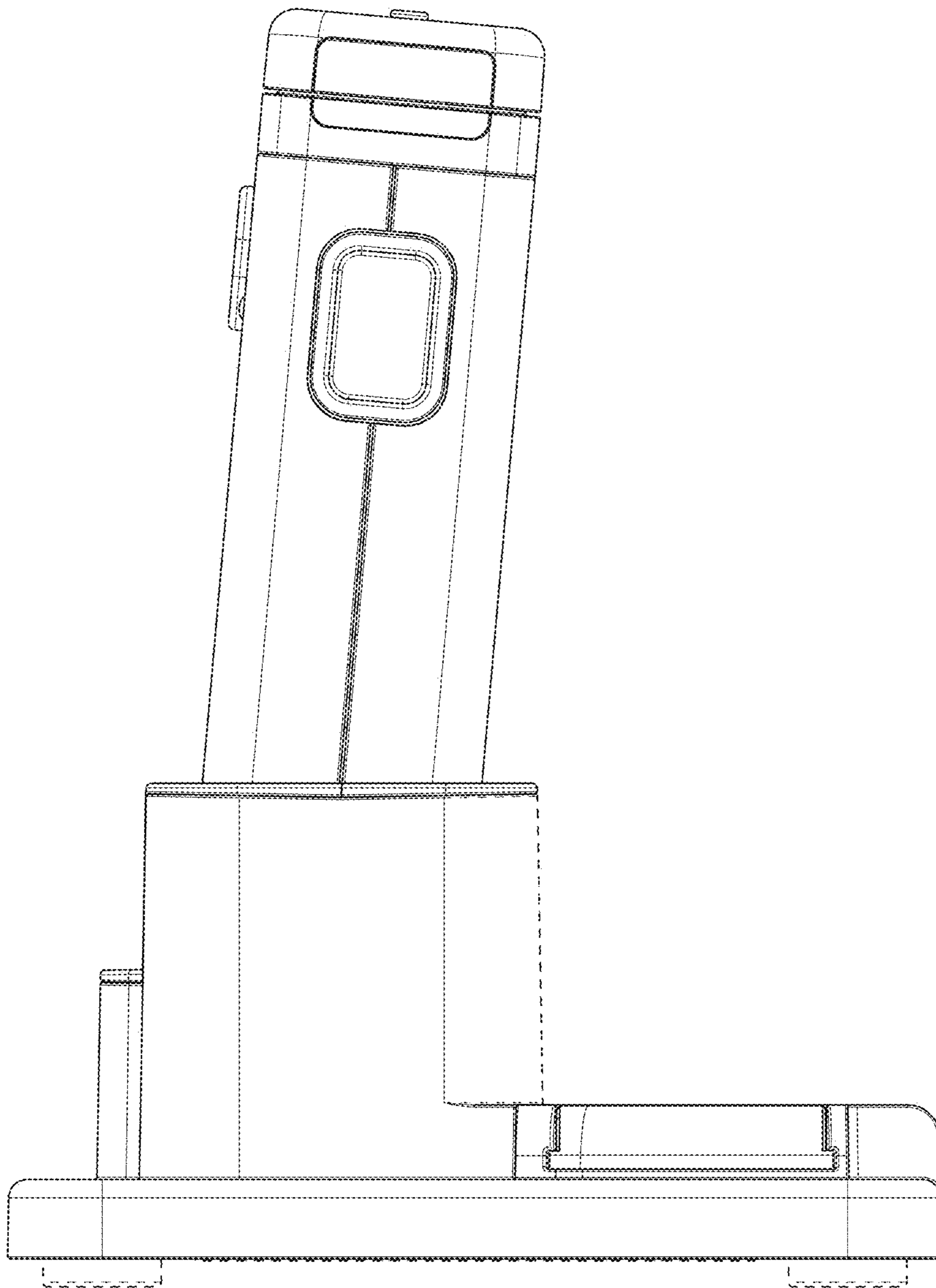


FIG. 1.7