

US00D972123S

(12) **United States Design Patent**
Chai

(10) **Patent No.:** **US D972,123 S**

(45) **Date of Patent:** **** Dec. 6, 2022**

(54) **NASAL ASPIRATOR**

(71) Applicant: **Jinxiang Chai**, Yueyang (CN)

(72) Inventor: **Jinxiang Chai**, Yueyang (CN)

(**) Term: **15 Years**

(21) Appl. No.: **29/773,506**

(22) Filed: **Mar. 10, 2021**

(51) **LOC (13) Cl.** **24-02**

(52) **U.S. Cl.**
USPC **D24/108**

(58) **Field of Classification Search**
USPC D24/108, 111–115, 117, 121
CPC A61M 2210/0618; A61M 1/0003; A61M
1/008; A61M 1/0066; A61M 16/0463;
A61M 2205/8206

See application file for complete search history.

(56) **References Cited**

U.S. PATENT DOCUMENTS

D213,670 S *	4/1969	Waddington	D9/526
D310,026 S *	8/1990	Verebelyi	D9/520
D438,612 S *	3/2001	Suh	D24/108
D451,597 S *	12/2001	Suh	D24/108
D542,915 S *	5/2007	Bensoussan	D24/115
D594,968 S *	6/2009	Sebban	D24/108
D627,458 S *	11/2010	Bisson	D24/115

D629,884 S *	12/2010	Stephens	D24/108
D650,065 S *	12/2011	Berger	D24/115
D653,953 S *	2/2012	Wakeman	D9/575
D849,229 S *	5/2019	Jiang	D24/108
D883,470 S *	5/2020	Wei	D24/108
11,116,886 B2 *	9/2021	Abate	A61M 1/60

* cited by examiner

Primary Examiner — Richard Kearney

Assistant Examiner — Michael Hoffman

(74) *Attorney, Agent, or Firm* — Rumit Ranjit Kanakia

(57) **CLAIM**

The ornamental design for a nasal aspirator, as shown and described.

DESCRIPTION

FIG. 1 is a front elevational view of a nasal aspirator showing my new design;

FIG. 2 is a rear elevational view thereof;

FIG. 3 is a left side view thereof;

FIG. 4 is a right side view thereof;

FIG. 5 is a top plan view thereof;

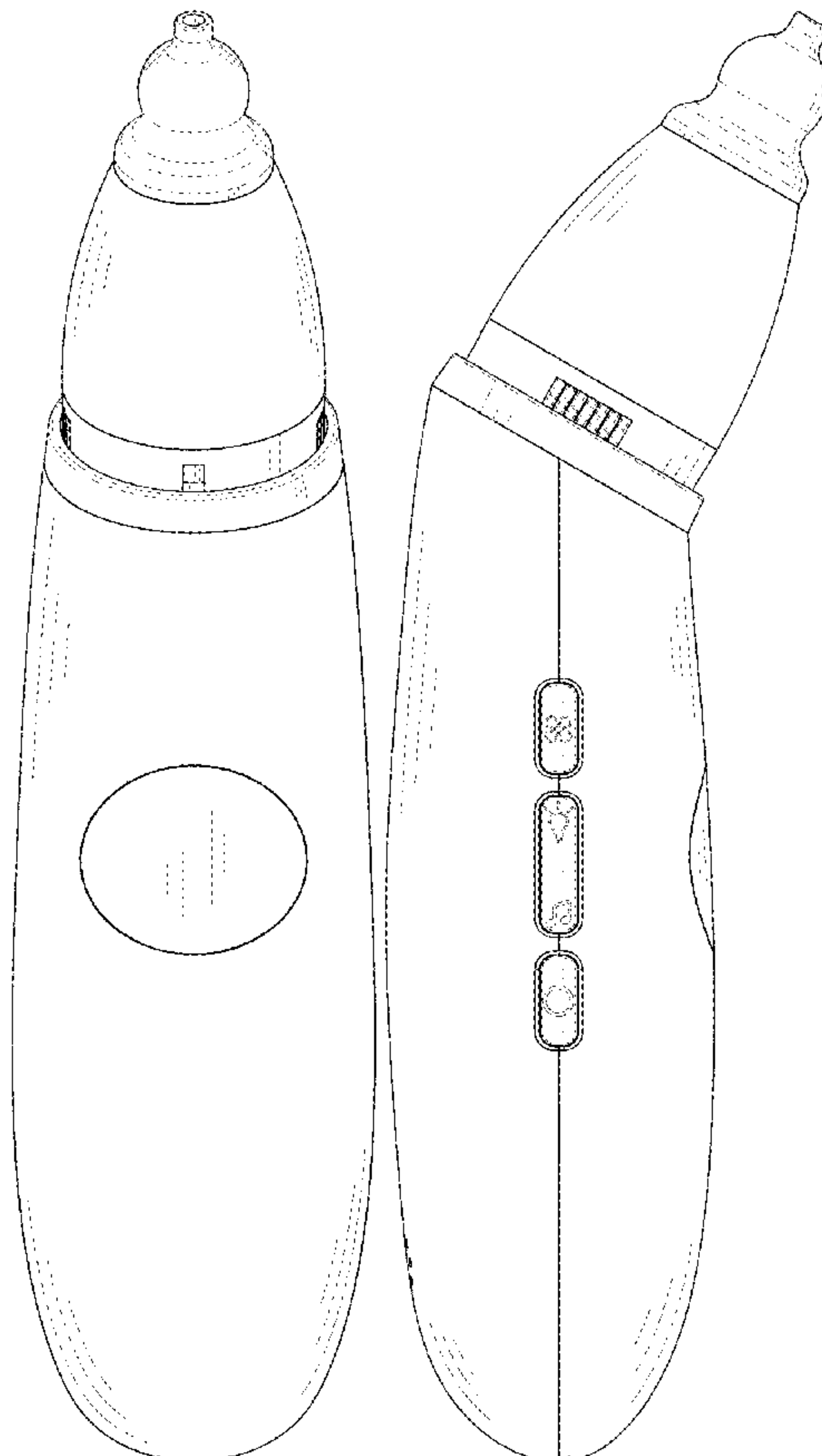
FIG. 6 is a bottom plan view thereof;

FIG. 7 is a perspective view of a nasal aspirator showing my new design; and,

FIG. 8 is another perspective view thereof.

The broken lines in the figures are for the purposes of illustrating portions of the nasal aspirator, which form no part of the claimed design.

1 Claim, 8 Drawing Sheets



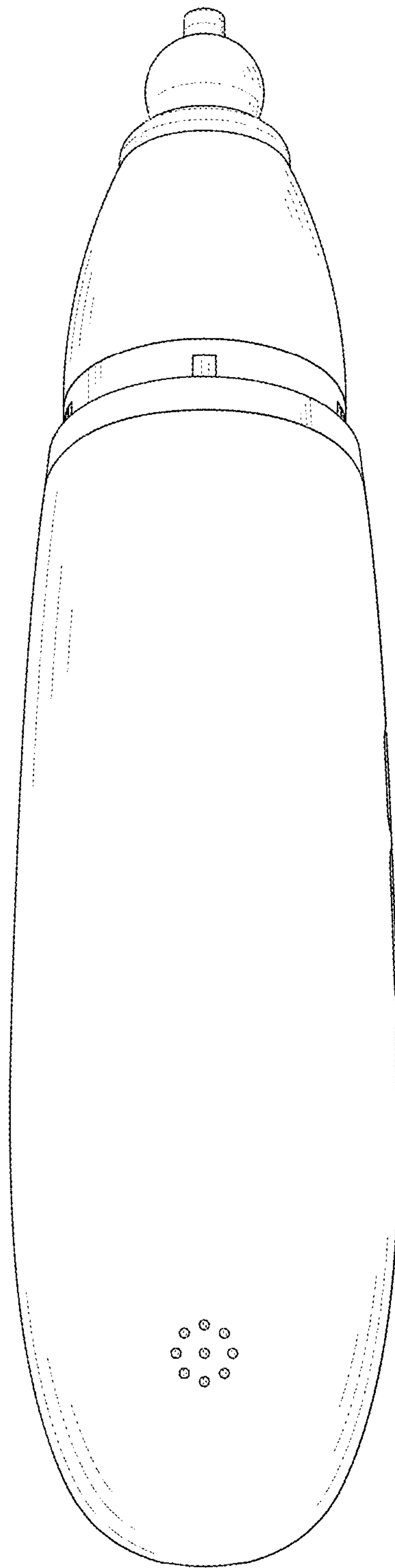


FIG. 1

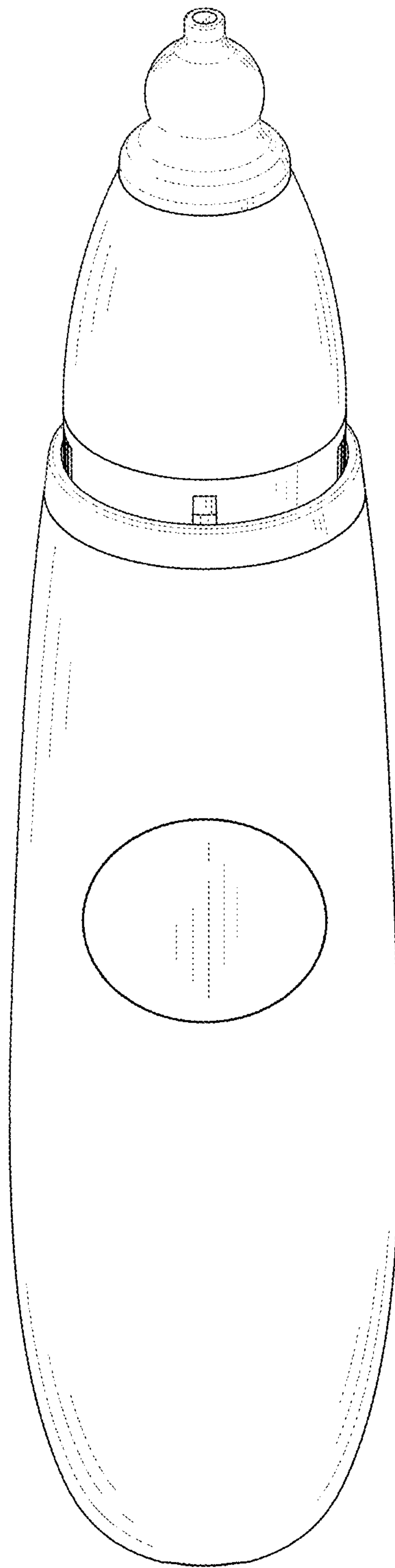


FIG. 2

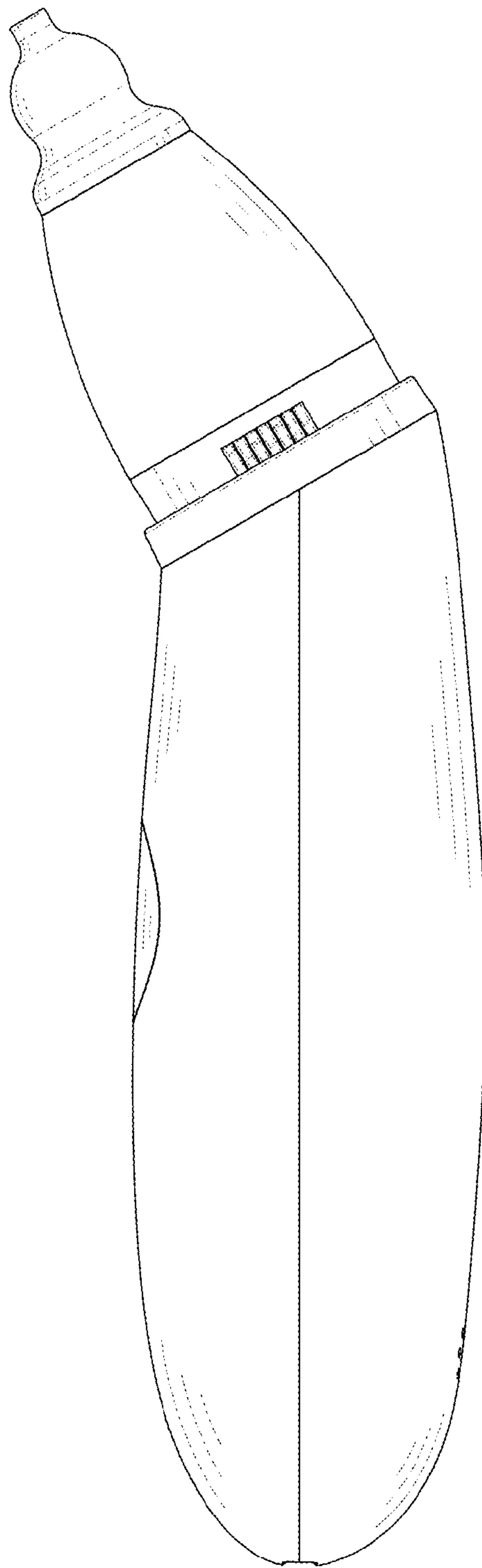


FIG. 3

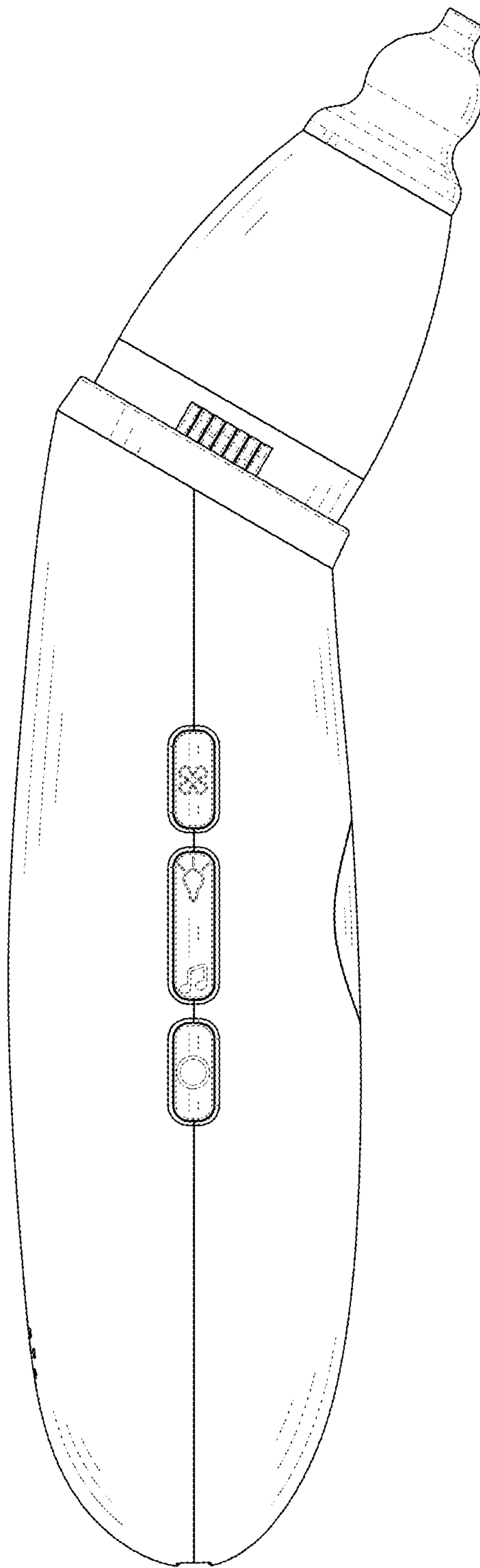


FIG. 4

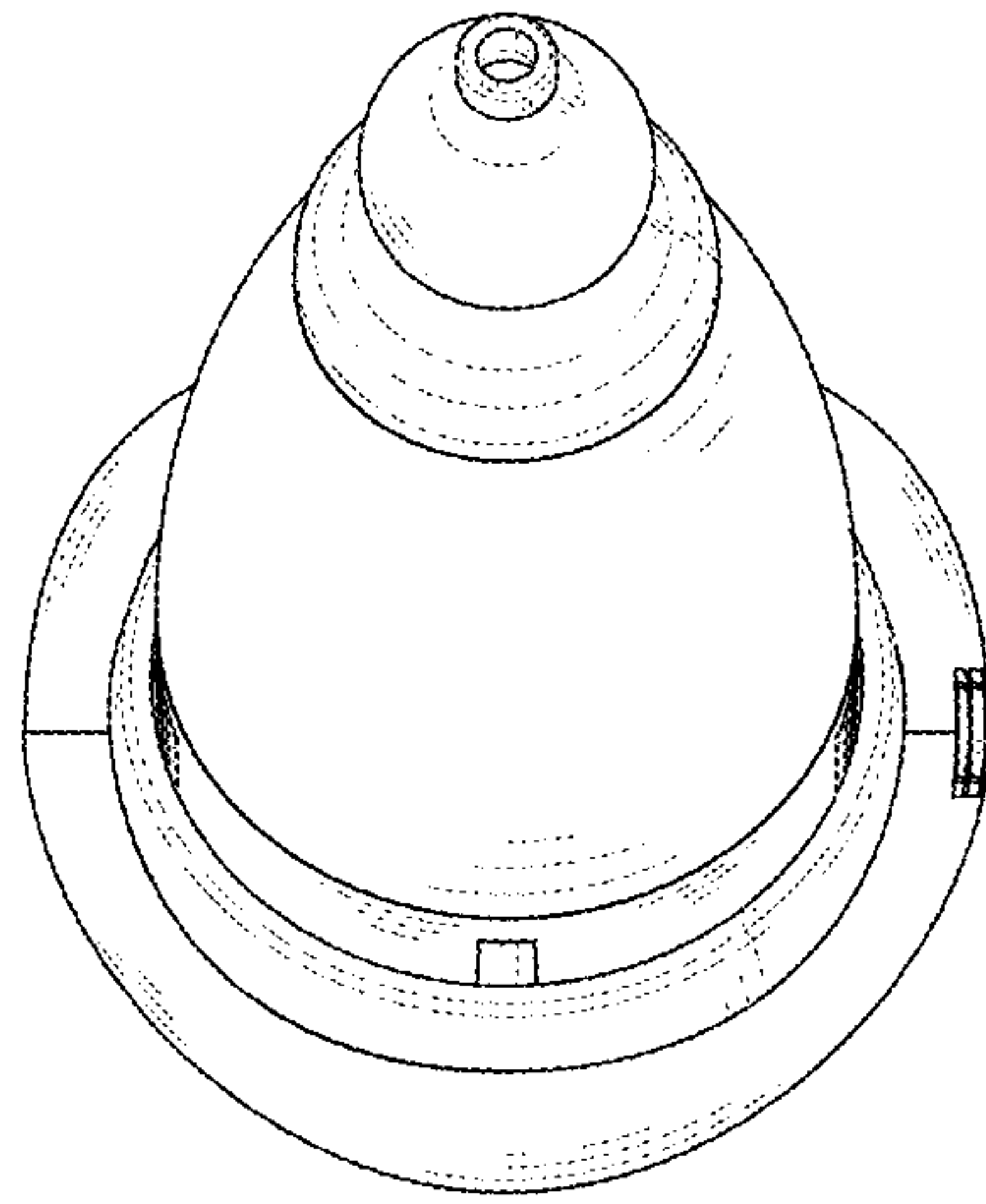


FIG. 5

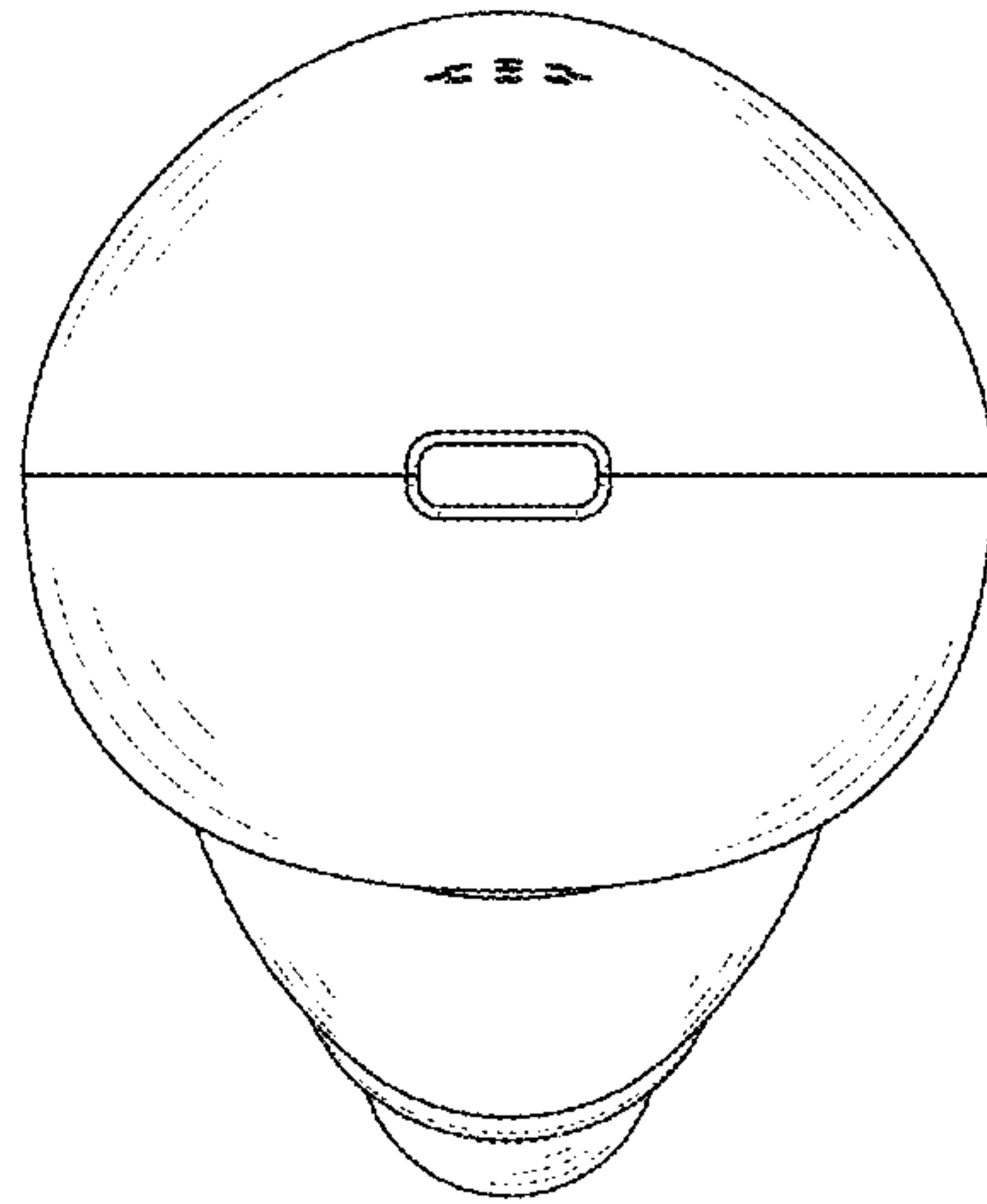


FIG. 6

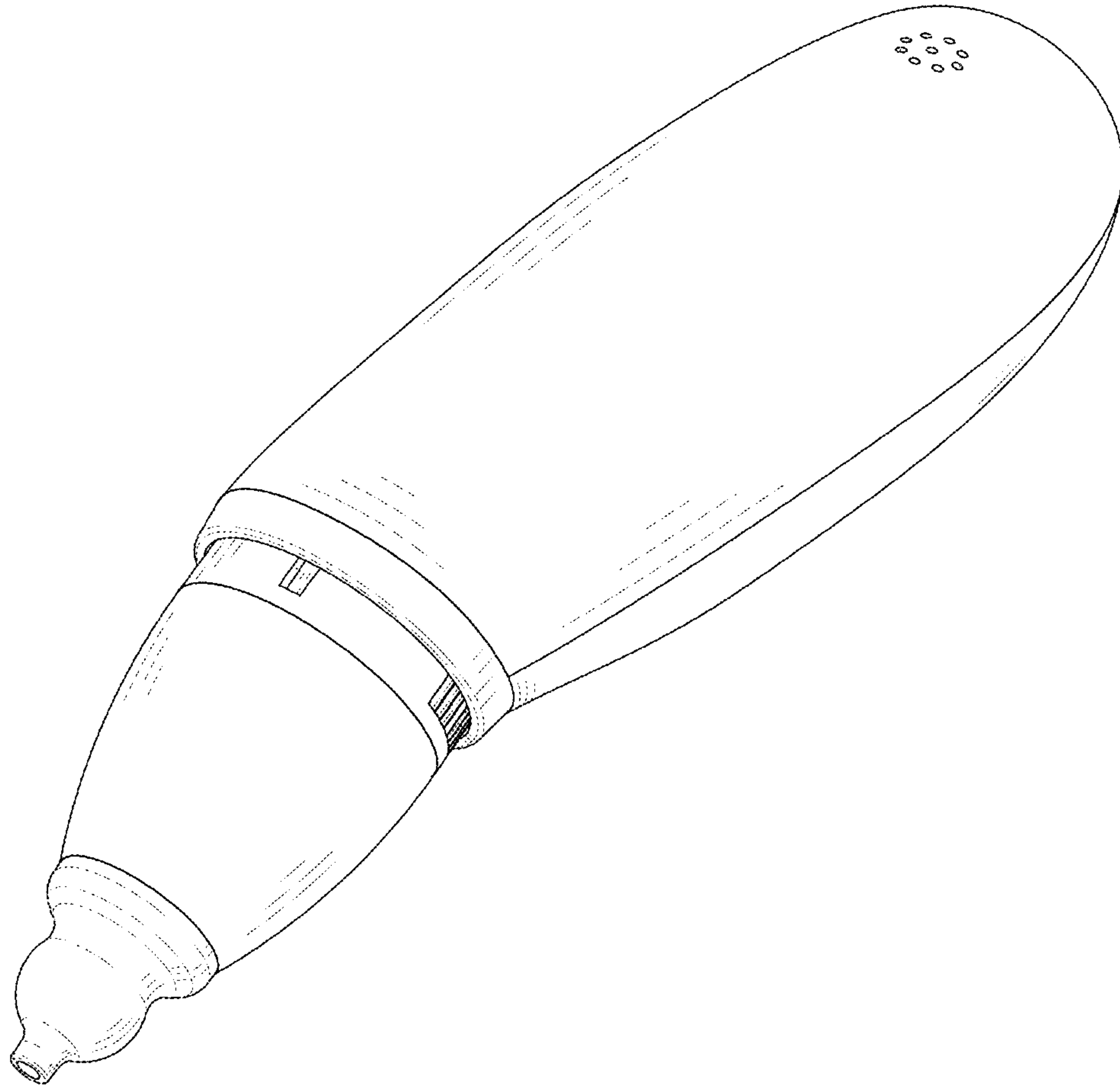


FIG. 7

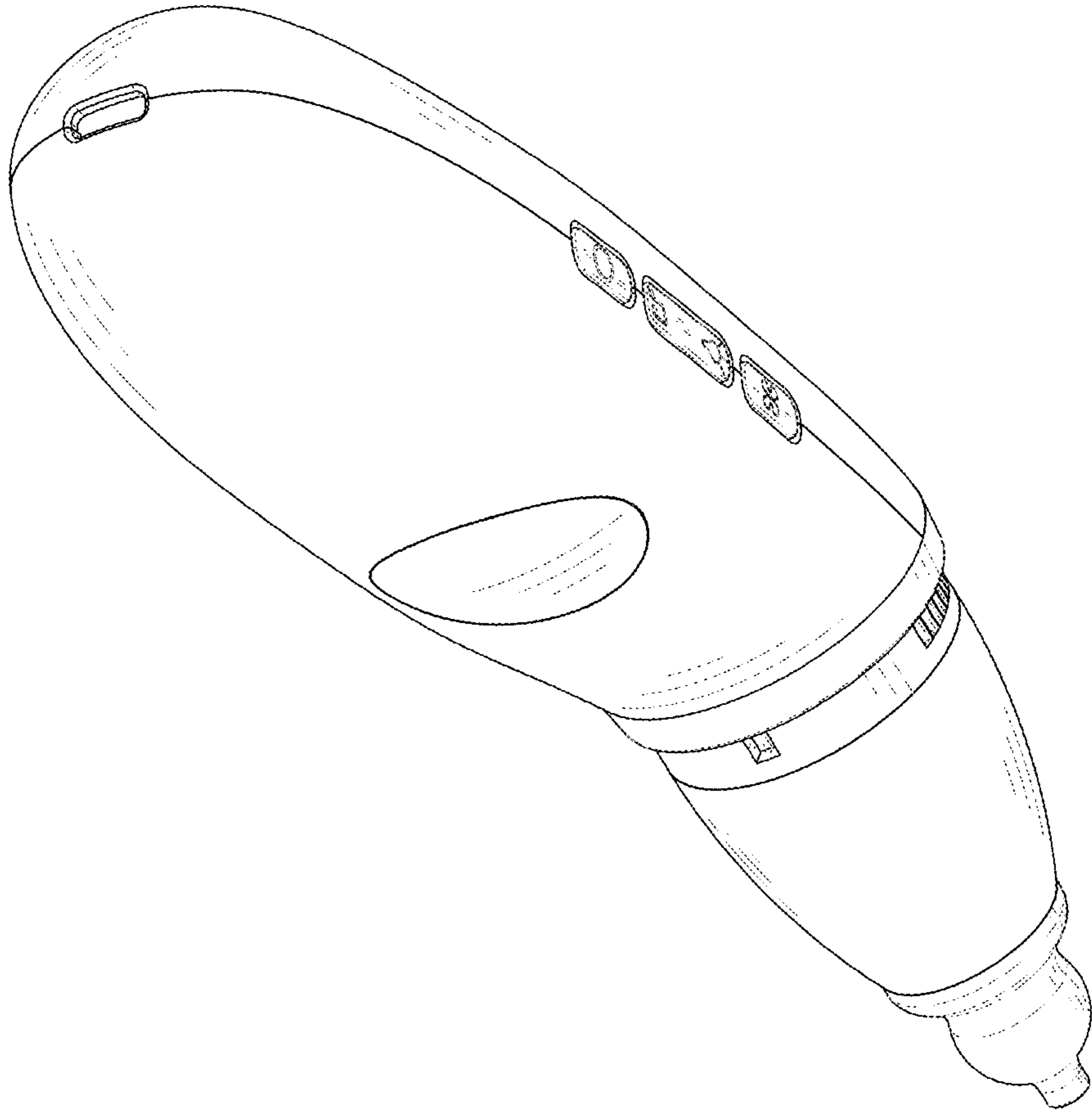


FIG. 8