



US00D972122S

(12) **United States Design Patent** (10) **Patent No.:** **US D972,122 S**
Kato (45) **Date of Patent:** **** Dec. 6, 2022**

(54) **FAN CASE**

(71) Applicant: **NIDEC SERVO CORPORATION,**
Gunma (JP)

(72) Inventor: **Yoshihiko Kato,** Gunma (JP)

(73) Assignee: **NIDEC SERVO CORPORATION,**
Gunma (JP)

(**) Term: **15 Years**

(21) Appl. No.: **29/714,742**

(22) Filed: **Nov. 26, 2019**

(30) **Foreign Application Priority Data**

May 29, 2019 (JP) 2019-011711

(51) **LOC (13) Cl.** **23-03**

(52) **U.S. Cl.**
USPC **D23/411**

(58) **Field of Classification Search**
USPC D23/370, 379, 383, 411-412
(Continued)

(56) **References Cited**

U.S. PATENT DOCUMENTS

D195,439 S * 6/1963 Coe D13/179
D209,250 S * 11/1967 Grad D23/379
(Continued)

Primary Examiner — Sharon S Oum

(74) *Attorney, Agent, or Firm* — JCIPRNET

(57) **CLAIM**

The ornamental design for a fan case, as shown and described.

DESCRIPTION

FIG. 1 is a perspective view of a fan case showing a first embodiment of my new design;

FIG. 2 is another perspective view thereof;
FIG. 3 is a front view thereof;
FIG. 4 is a rear view thereof;
FIG. 5 is a left side view thereof;
FIG. 6 is a right side view thereof;
FIG. 7 is a top view thereof;
FIG. 8 is a bottom view thereof;
FIG. 9 is a perspective view of a fan case showing a second embodiment of my new design;
FIG. 10 is another perspective view thereof;
FIG. 11 is a front view thereof;
FIG. 12 is a rear view thereof;
FIG. 13 is a left side view thereof;
FIG. 14 is a right side view thereof;
FIG. 15 is a top view thereof;
FIG. 16 is a bottom view thereof;
FIG. 17 is a perspective view of a fan case showing a third embodiment of my new design;
FIG. 18 is another perspective view thereof;
FIG. 19 is a front view thereof;
FIG. 20 is a rear view thereof;
FIG. 21 is a left side view thereof;
FIG. 22 is a right side view thereof;
FIG. 23 is a top view thereof;
FIG. 24 is a bottom view thereof;
FIG. 25 is a perspective view of a fan case showing a fourth embodiment of my new design;
FIG. 26 is another perspective view thereof;
FIG. 27 is a front view thereof;
FIG. 28 is a rear view thereof;
FIG. 29 is a left side view thereof;
FIG. 30 is a right side view thereof;
FIG. 31 is a top view thereof;
FIG. 32 is a bottom view thereof;
FIG. 33 is a perspective view of a fan case showing a fifth embodiment of my new design;
FIG. 34 is another perspective view thereof;
FIG. 35 is a front view thereof;
FIG. 36 is a rear view thereof;
FIG. 37 is a left side view thereof;
FIG. 38 is a right side view thereof;
FIG. 39 is a top view thereof;
FIG. 40 is a bottom view thereof;

(Continued)

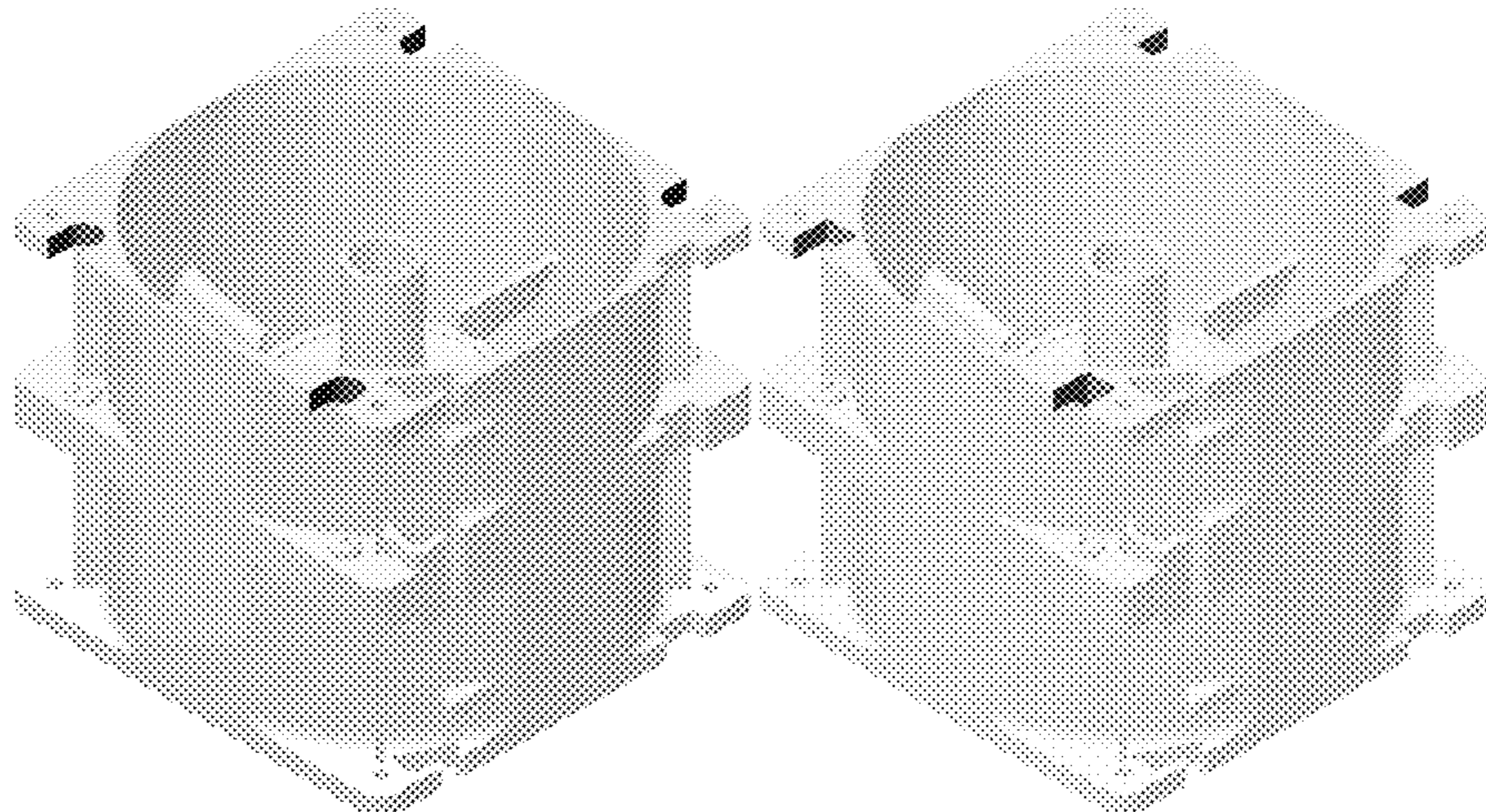


FIG. 41 is a perspective view of a fan case showing a sixth embodiment of my new design;
 FIG. 42 is another perspective view thereof;
 FIG. 43 is a front view thereof;
 FIG. 44 is a rear view thereof;
 FIG. 45 is a left side view thereof;
 FIG. 46 is a right side view thereof;
 FIG. 47 is a top view thereof;
 FIG. 48 is a bottom view thereof;
 FIG. 49 is a perspective view of a fan case showing a seventh embodiment of my new design;
 FIG. 50 is another perspective view thereof;
 FIG. 51 is a front view thereof;
 FIG. 52 is a rear view thereof;
 FIG. 53 is a left side view thereof;
 FIG. 54 is a right side view thereof;
 FIG. 55 is a top view thereof; and,
 FIG. 56 is a bottom view thereof.
 The portions shown in light gray illustrate portions of the fan case that form no part of the claimed design.

1 Claim, 56 Drawing Sheets

(58) Field of Classification Search

CPC .. F04D 25/0693; F04D 19/002; F04D 29/646;
 F04D 29/522; F04D 29/667; F04D
 19/007

See application file for complete search history.

(56) References Cited

U.S. PATENT DOCUMENTS

D483,109 S * 12/2003 Chang D23/411
 D486,906 S * 2/2004 Xiao D23/411
 D487,310 S * 3/2004 Li D23/411
 D487,800 S * 3/2004 Chen D23/370

D531,716 S * 11/2006 Watanabe D23/370
 D560,622 S * 1/2008 Ishihara D23/370
 D596,735 S * 7/2009 Su D23/381
 7,737,589 B2 * 6/2010 Sekiguchi H02K 1/182
 310/90
 D619,697 S * 7/2010 Uchikawa D23/370
 D637,276 S * 5/2011 Miyabara D23/370
 D637,706 S * 5/2011 Kawai D23/370
 D665,894 S * 8/2012 Inada D23/370
 D676,541 S * 2/2013 Fu D23/370
 D696,764 S * 12/2013 Sato D23/370
 8,870,528 B2 * 10/2014 Teramoto F04D 25/062
 415/220
 D723,151 S * 2/2015 Xu D23/370
 D732,655 S * 6/2015 Ueno D23/370
 10,415,586 B2 * 9/2019 Inouchi F04D 25/0613
 10,697,466 B2 * 6/2020 Hakozaiki F04D 29/164
 10,711,790 B2 * 7/2020 Hakozaiki F04D 29/544
 D897,520 S * 9/2020 Gebert D23/370
 D938,568 S * 12/2021 Hakozaiki D23/370
 2005/0233688 A1 * 10/2005 Franz F04D 29/329
 454/157
 2008/0101920 A1 * 5/2008 Yoshida F04D 25/08
 415/199.5
 2008/0101964 A1 * 5/2008 Iwase F04D 29/386
 416/223 R
 2008/0261432 A1 * 10/2008 Chen F04D 25/0613
 439/313
 2009/0155104 A1 * 6/2009 Takeshita F04D 19/007
 415/199.5
 2010/0033041 A1 * 2/2010 Watanabe F04D 29/329
 310/63
 2011/0129346 A1 * 6/2011 Jarrah F04D 29/384
 416/214 R
 2012/0313475 A1 * 12/2012 Wu F04D 25/064
 415/213.1
 2017/0051747 A1 * 2/2017 Nakamura F04D 29/181
 2018/0195526 A1 * 7/2018 Hakozaiki F04D 19/002
 2018/0252224 A1 * 9/2018 Yamasaki H02K 5/24
 2019/0199155 A1 * 6/2019 Takaoka H02K 1/146
 2019/0316598 A1 * 10/2019 Eisen F04D 29/384

* cited by examiner

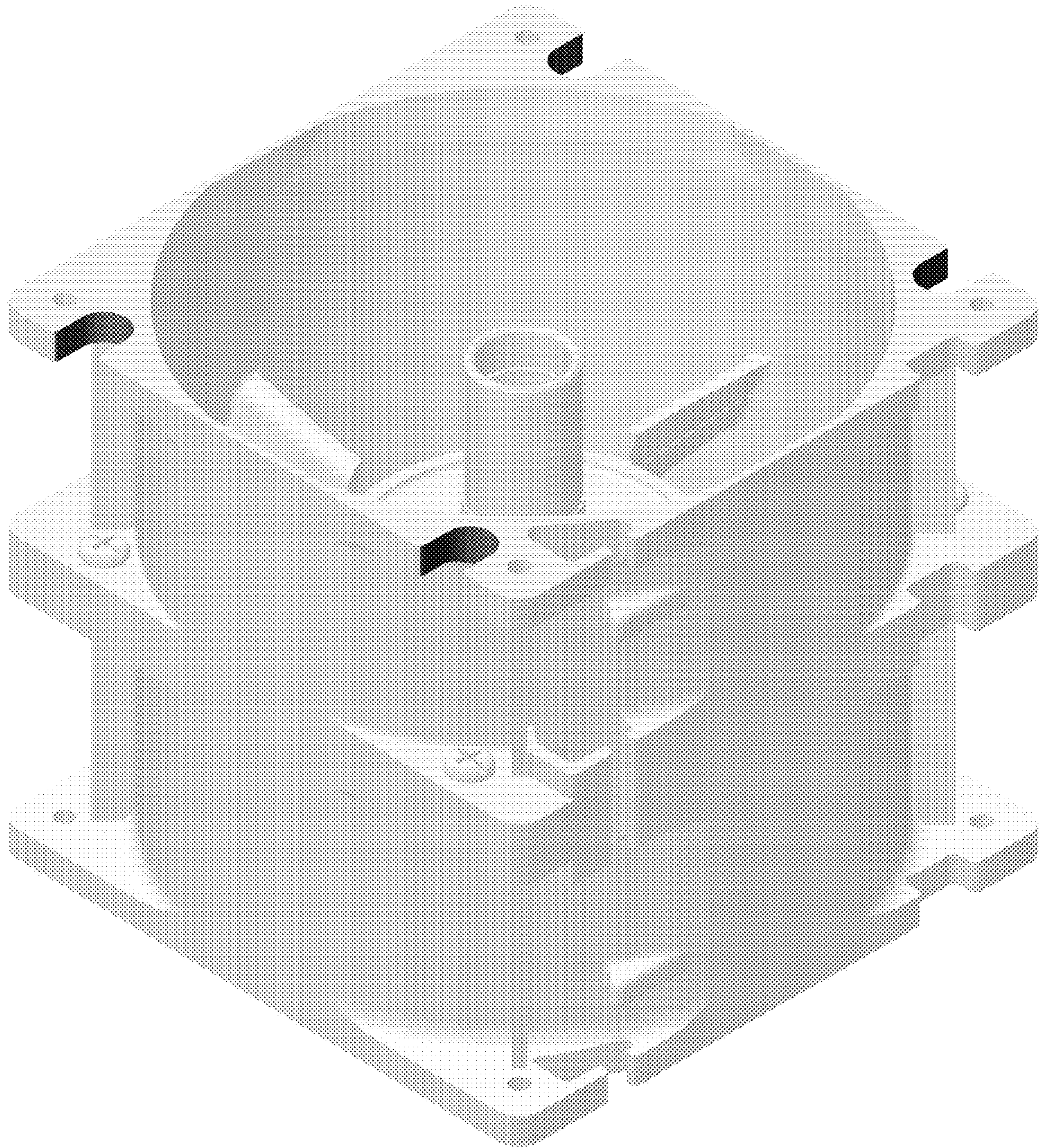


FIG. 1

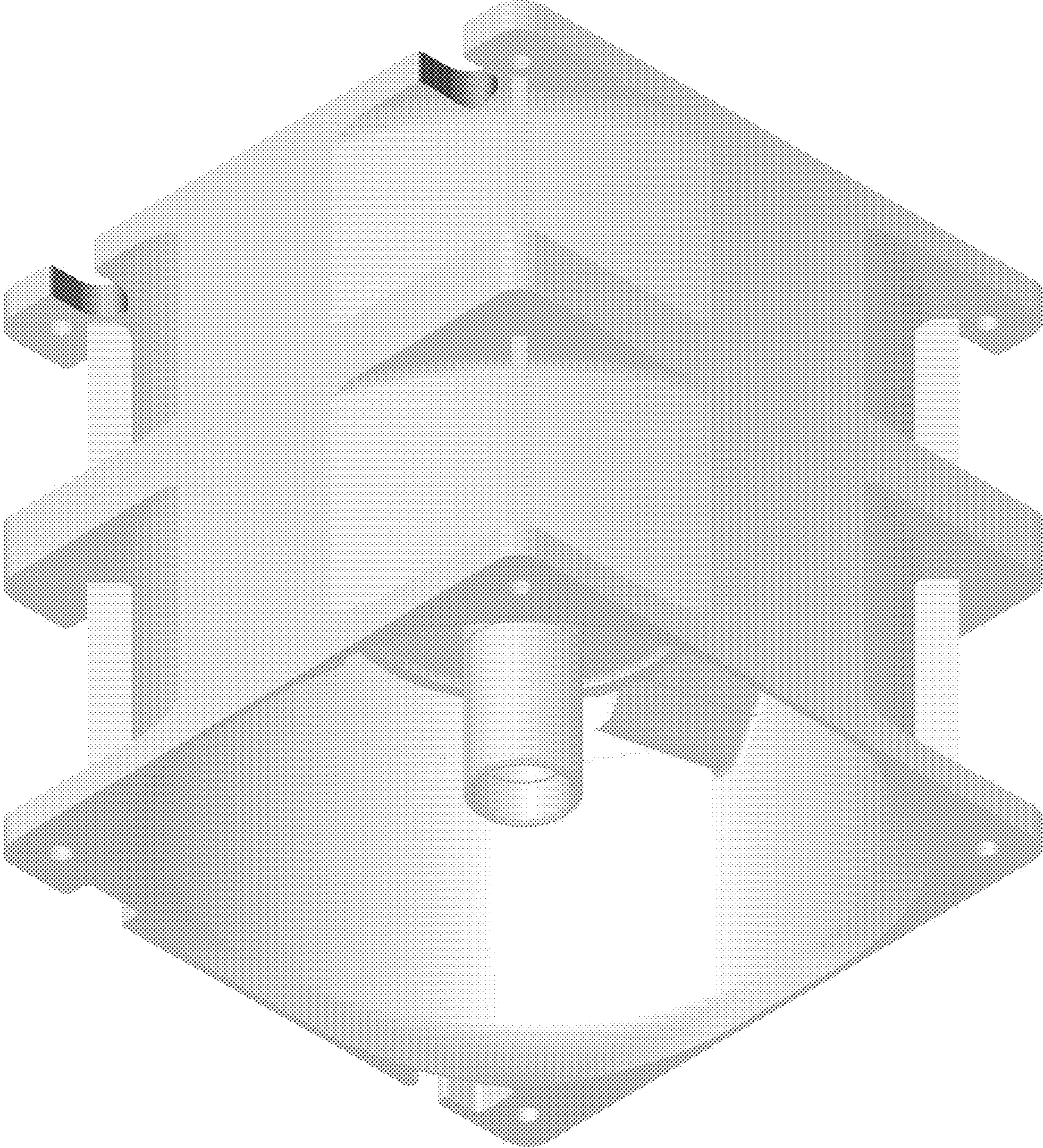


FIG. 2

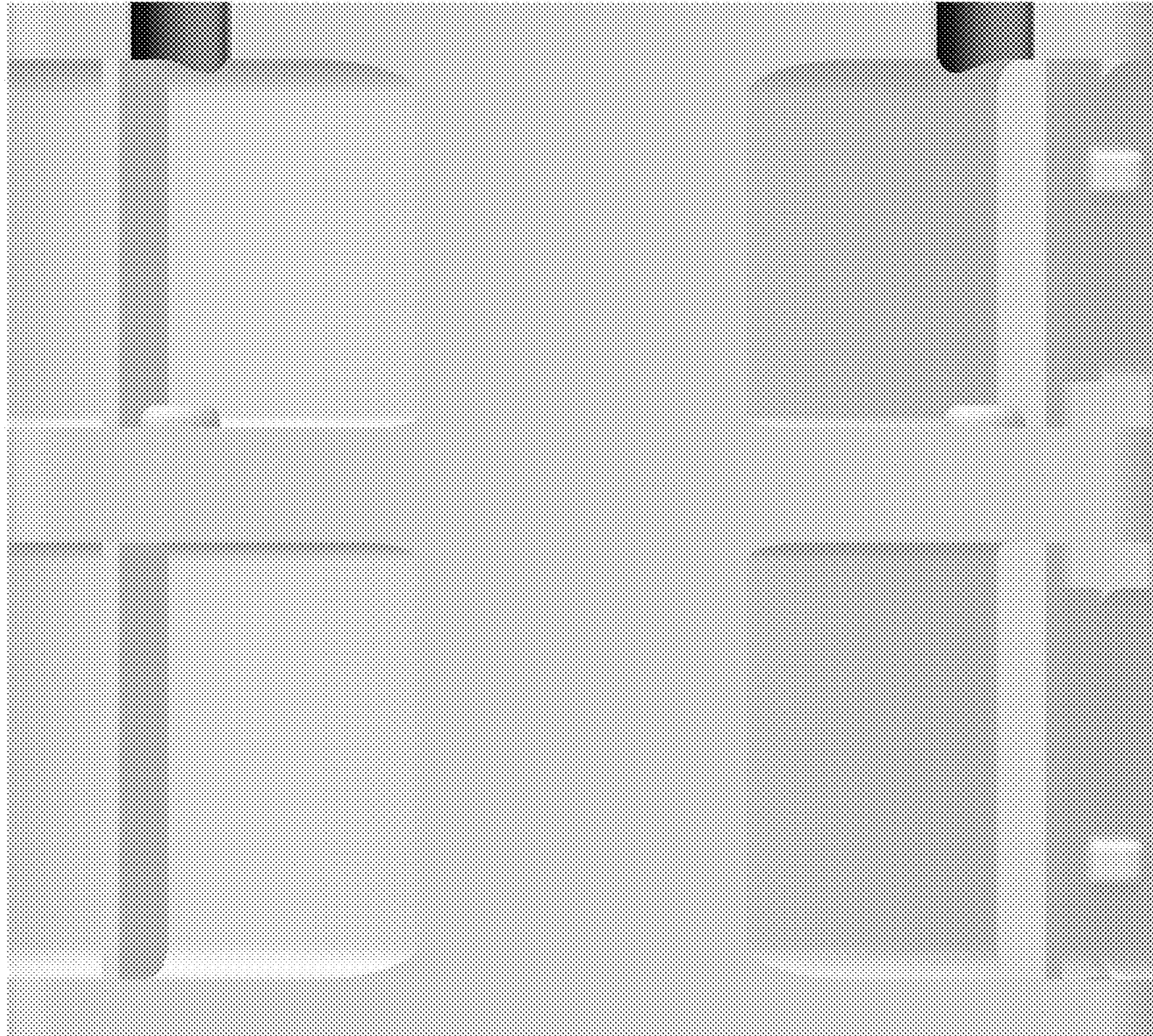


FIG. 3

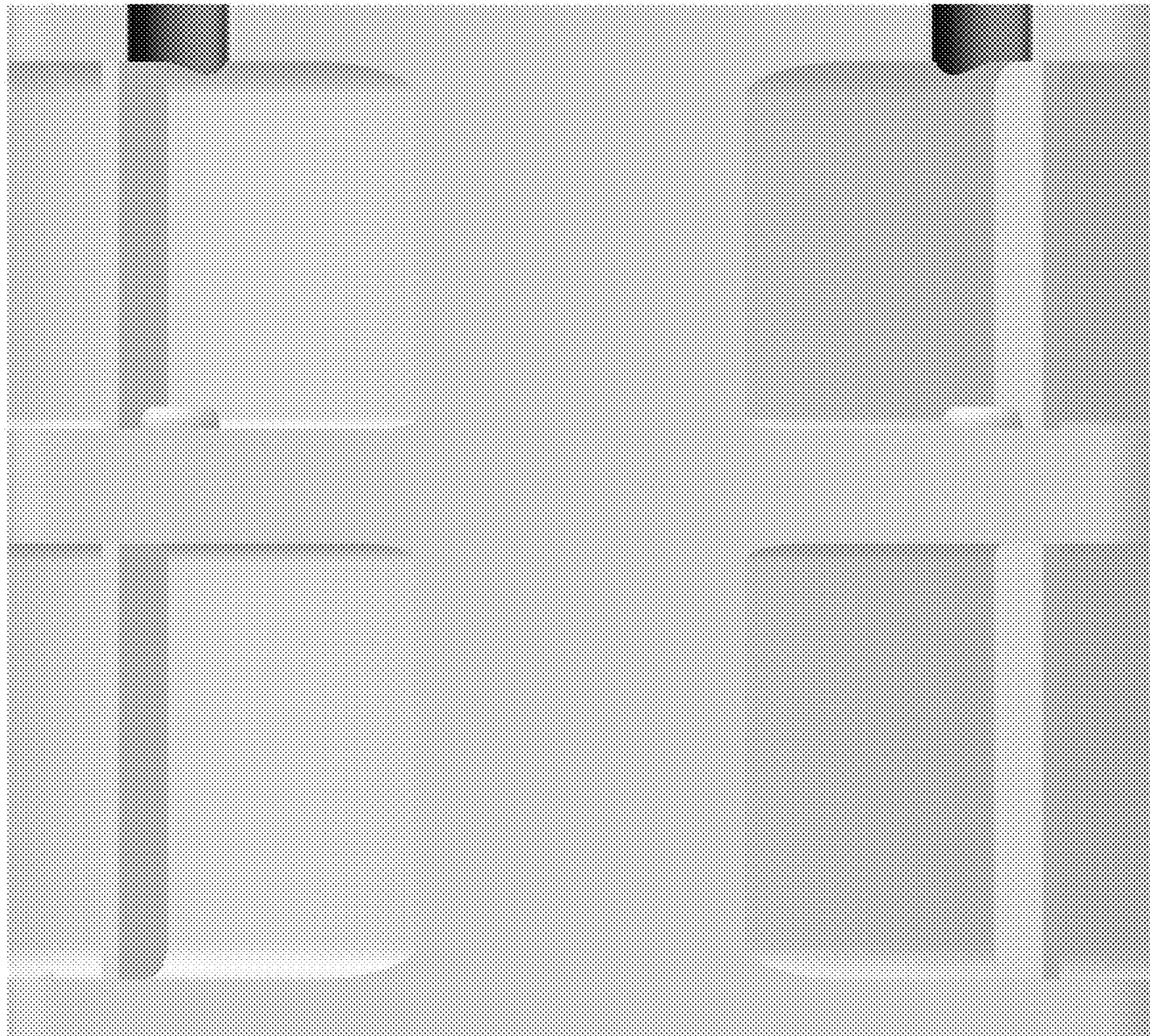


FIG. 4

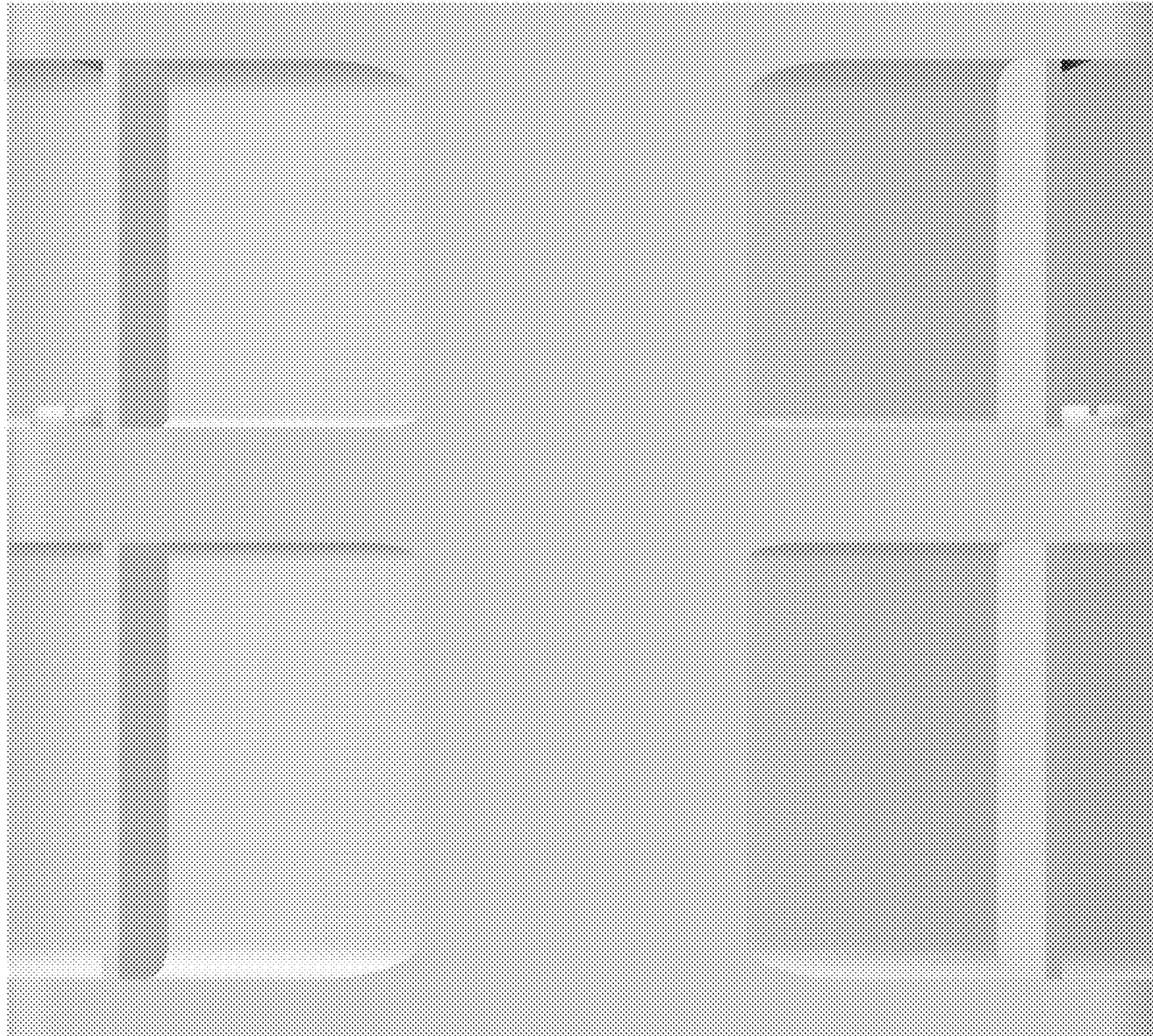


FIG. 5

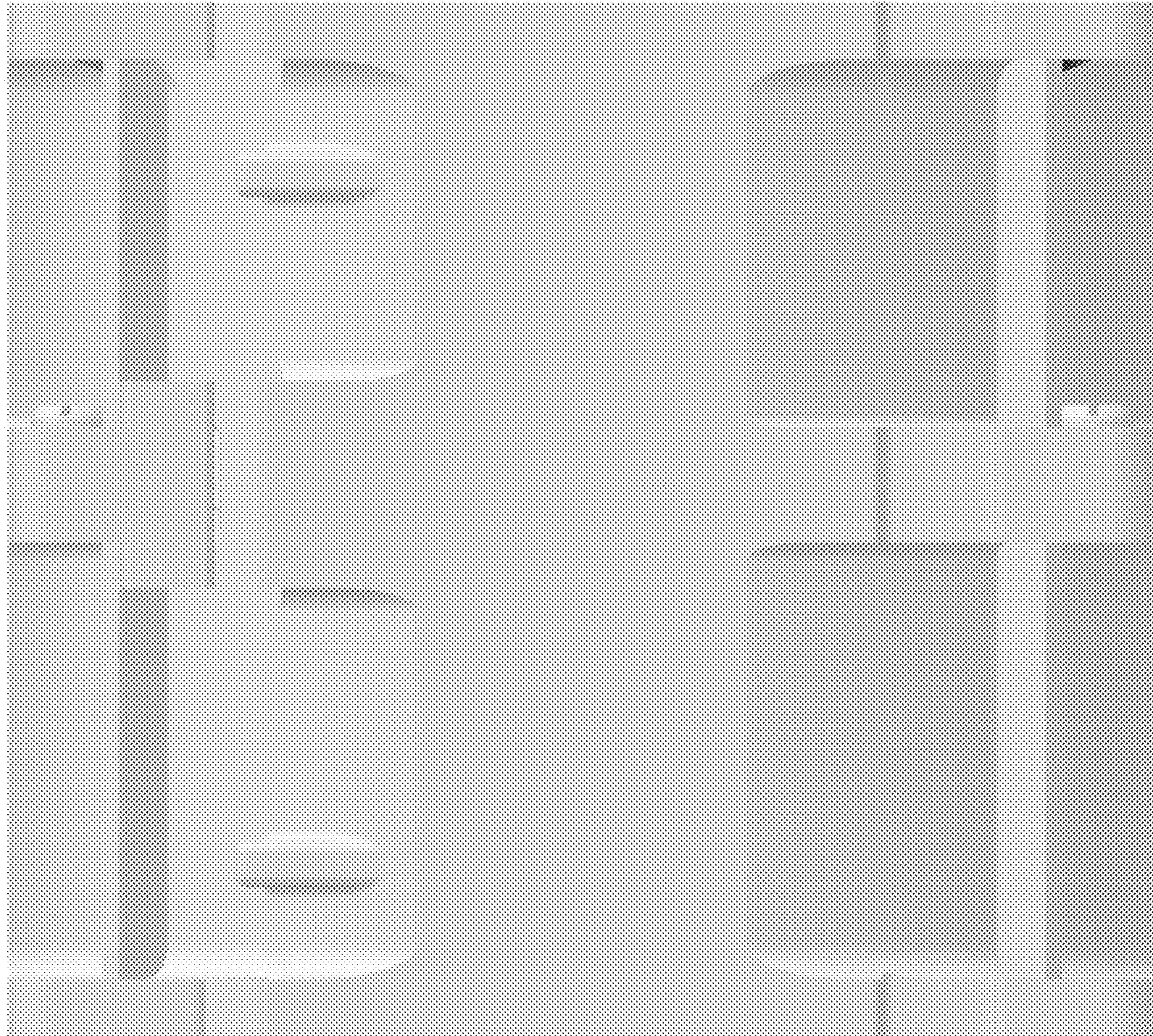


FIG. 6

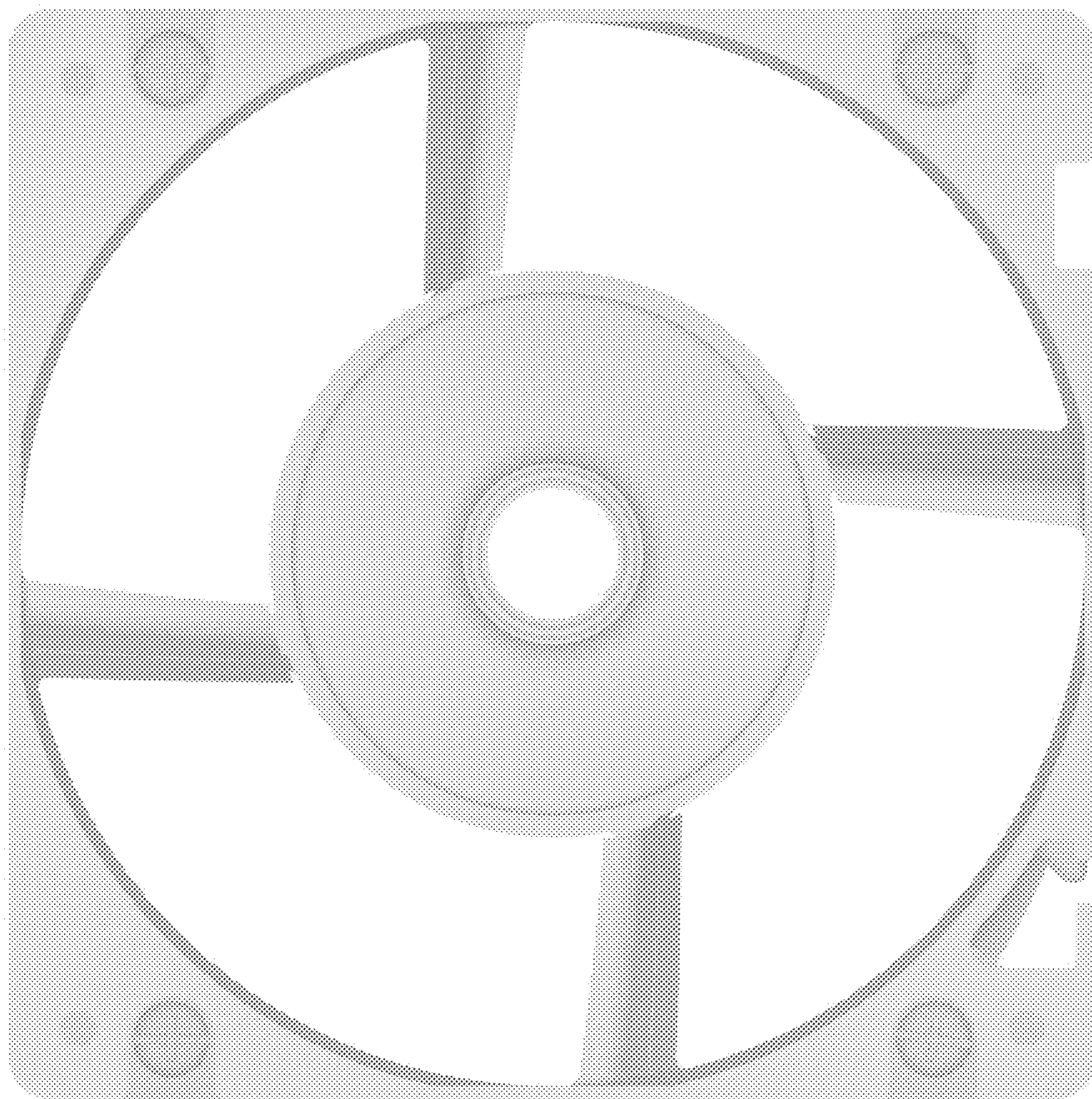


FIG. 7

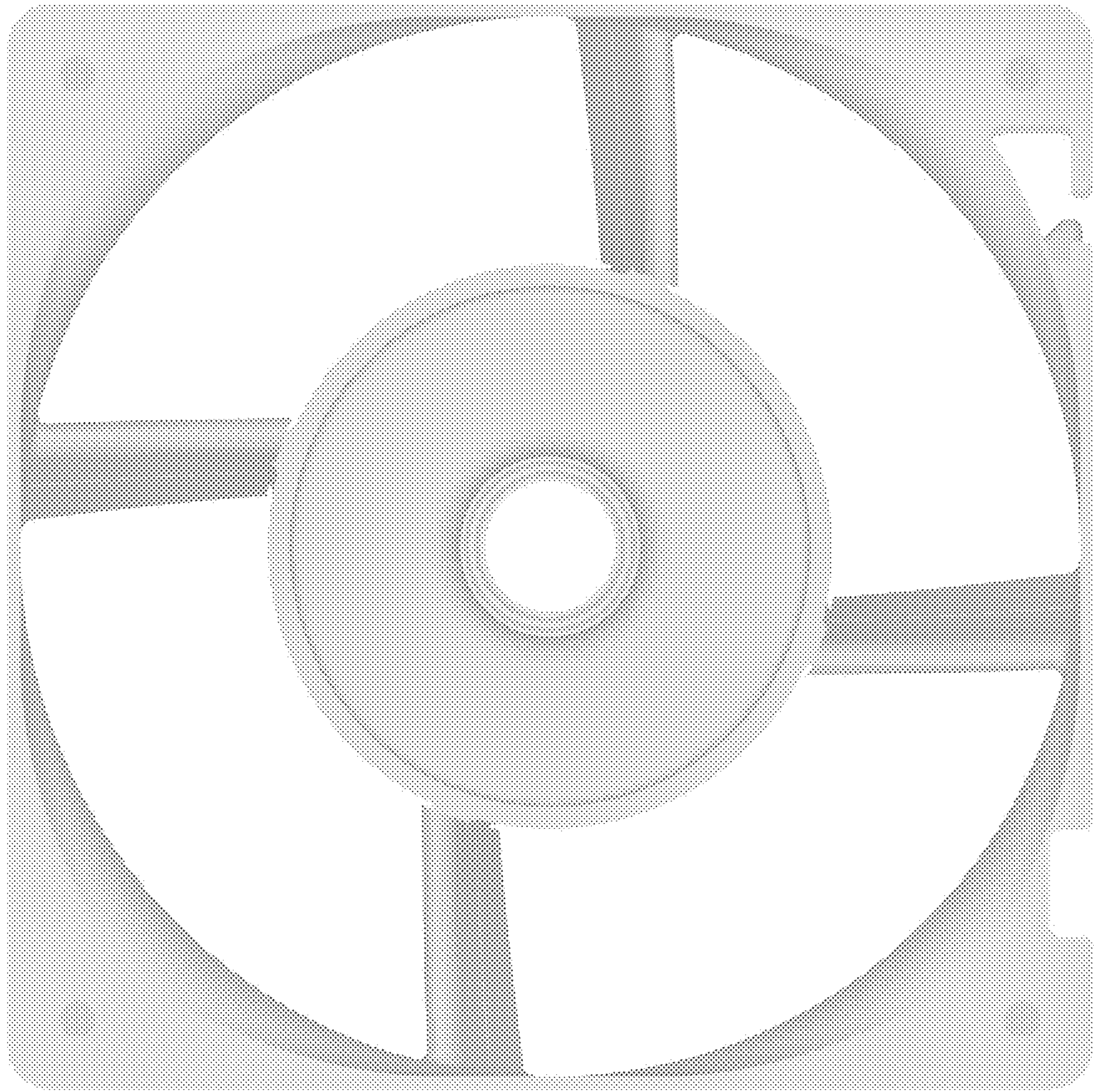


FIG. 8

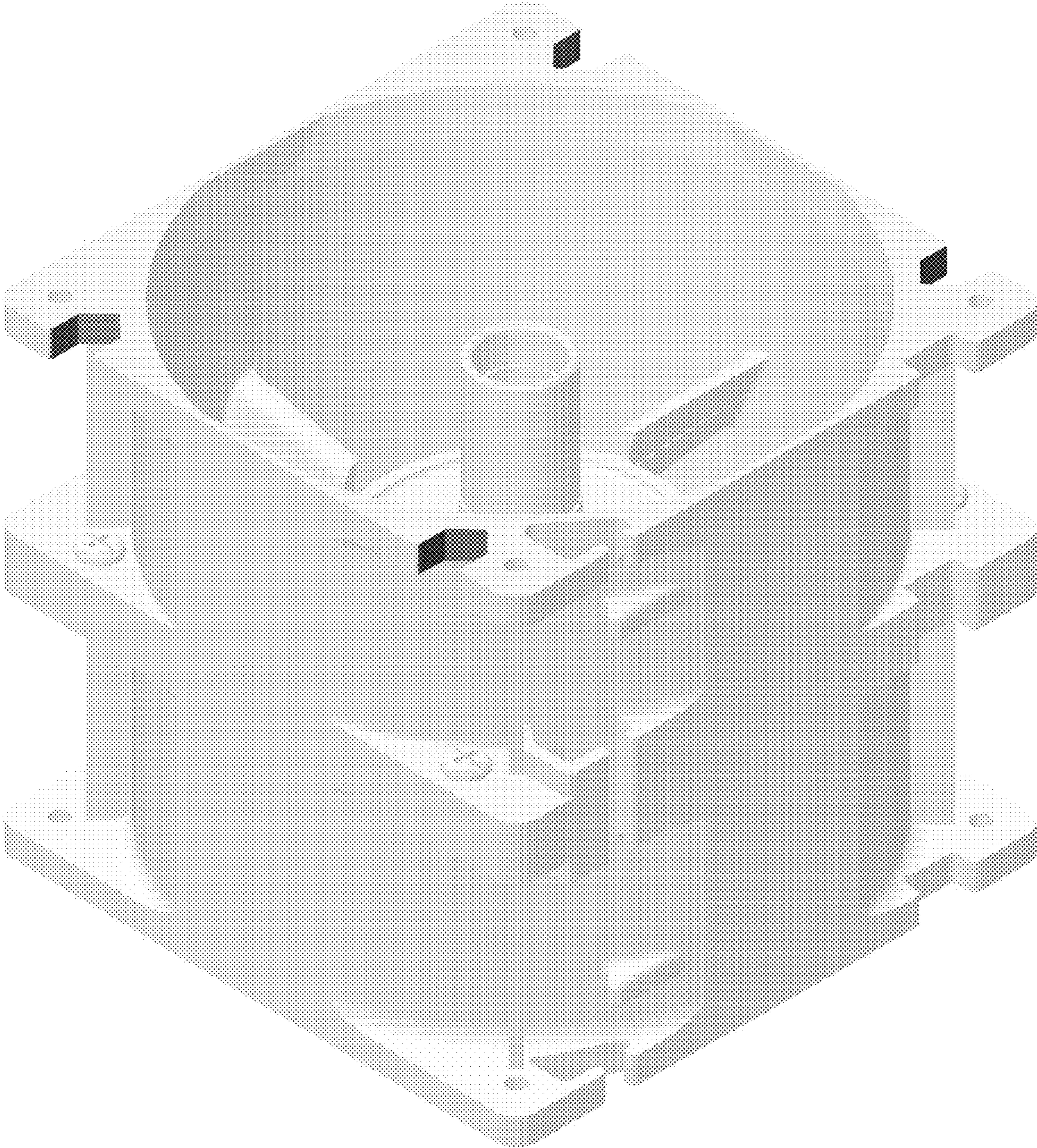


FIG. 9

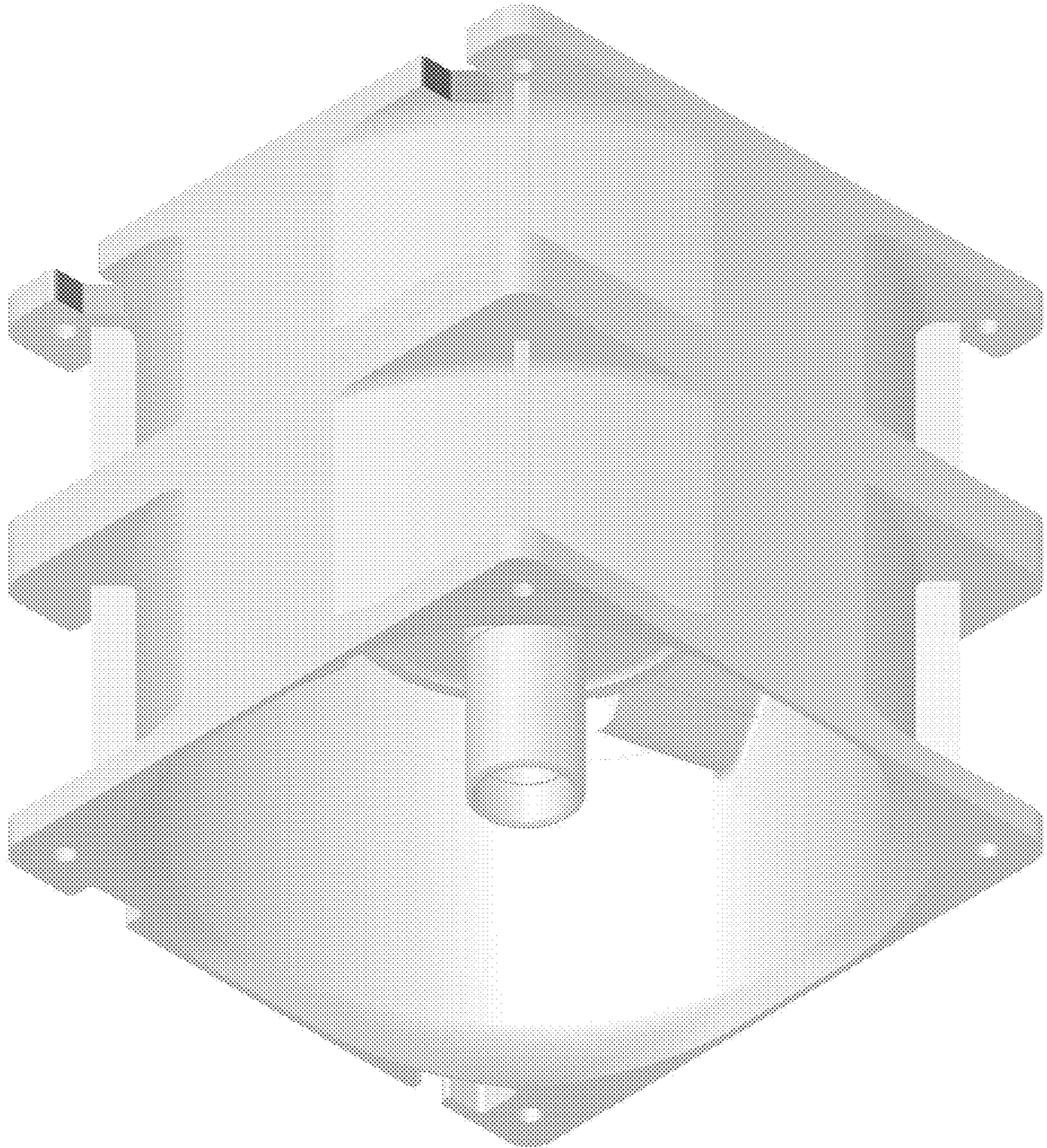


FIG. 10

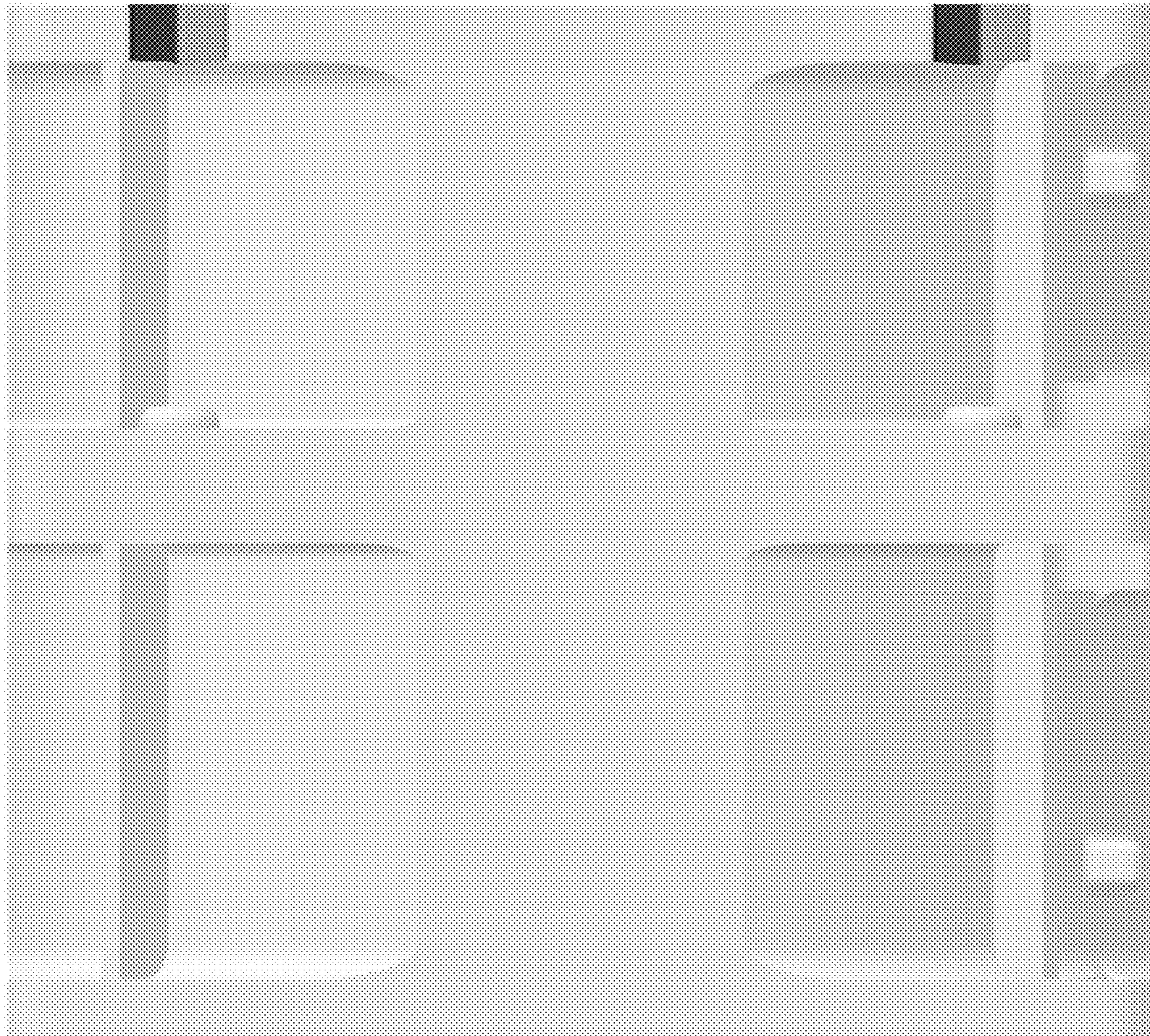


FIG. 11

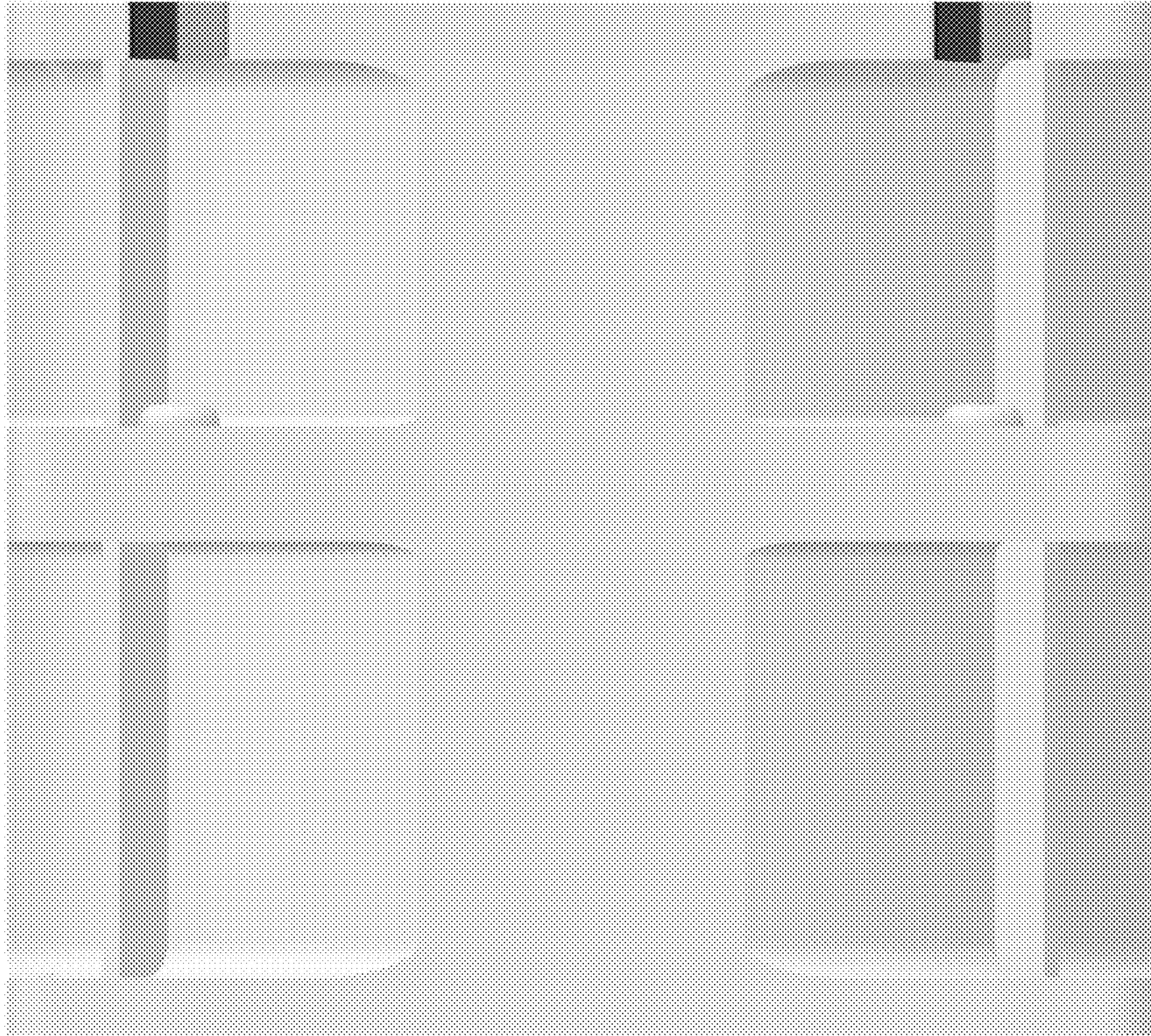


FIG. 12

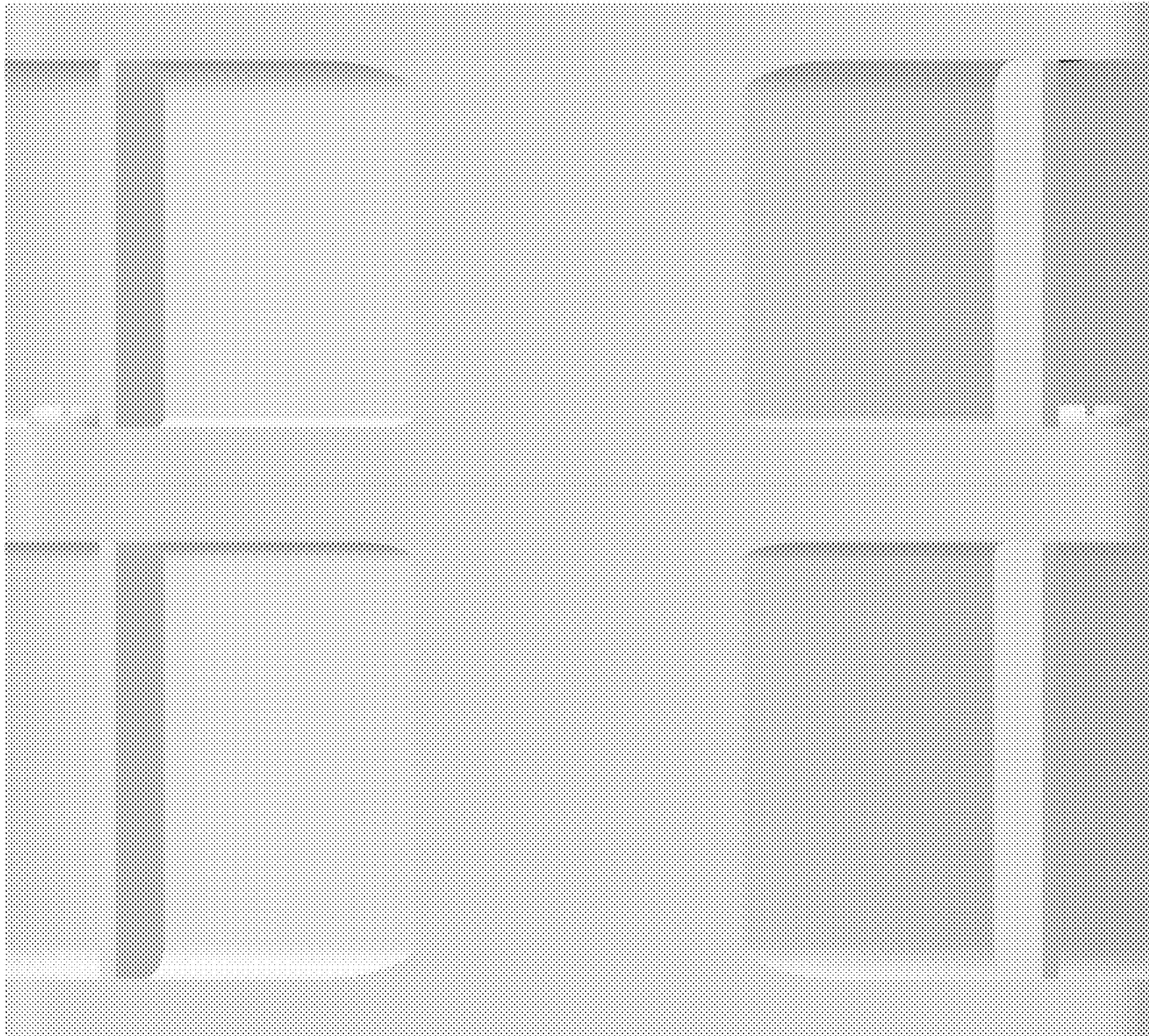


FIG. 13

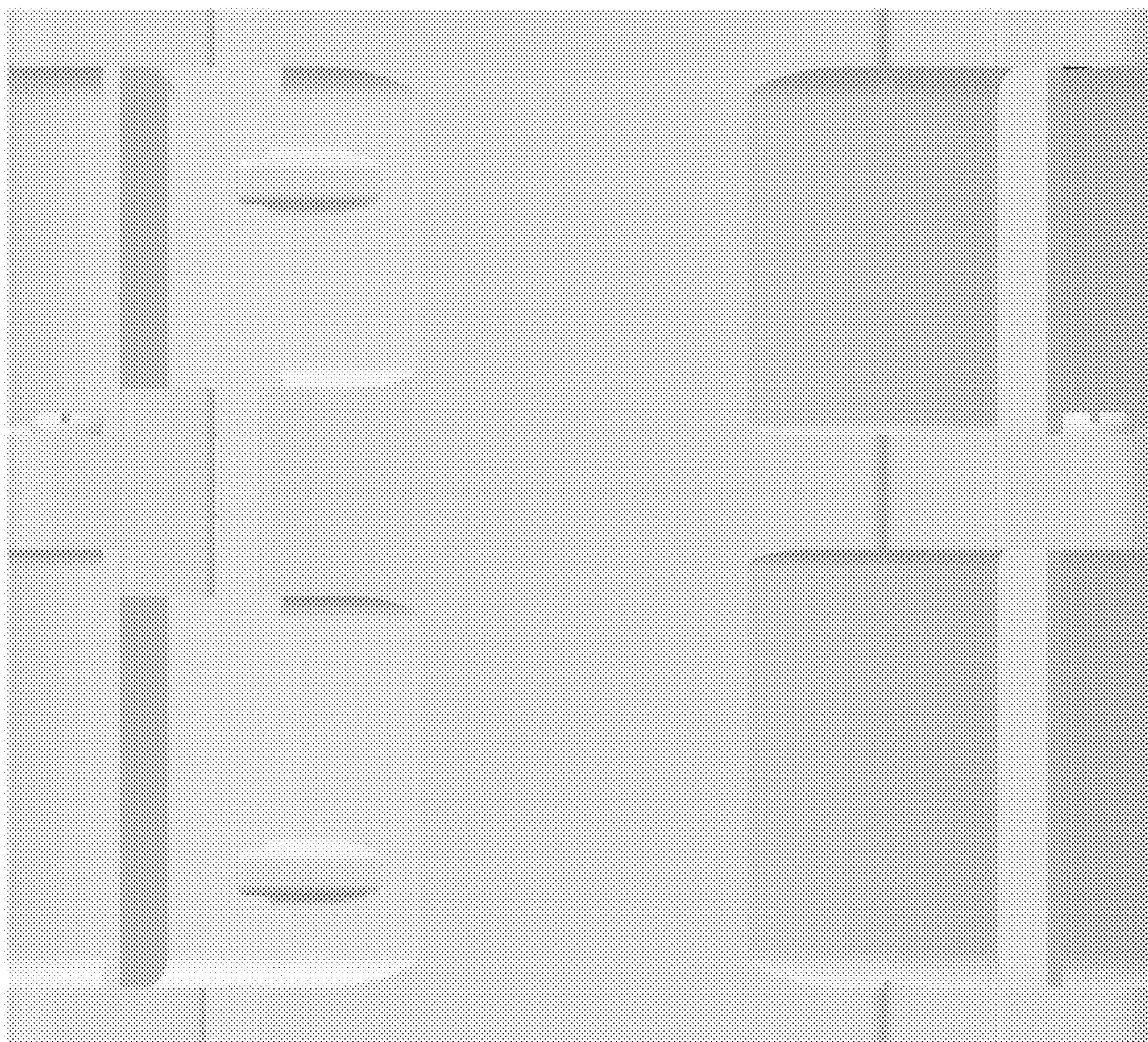


FIG. 14

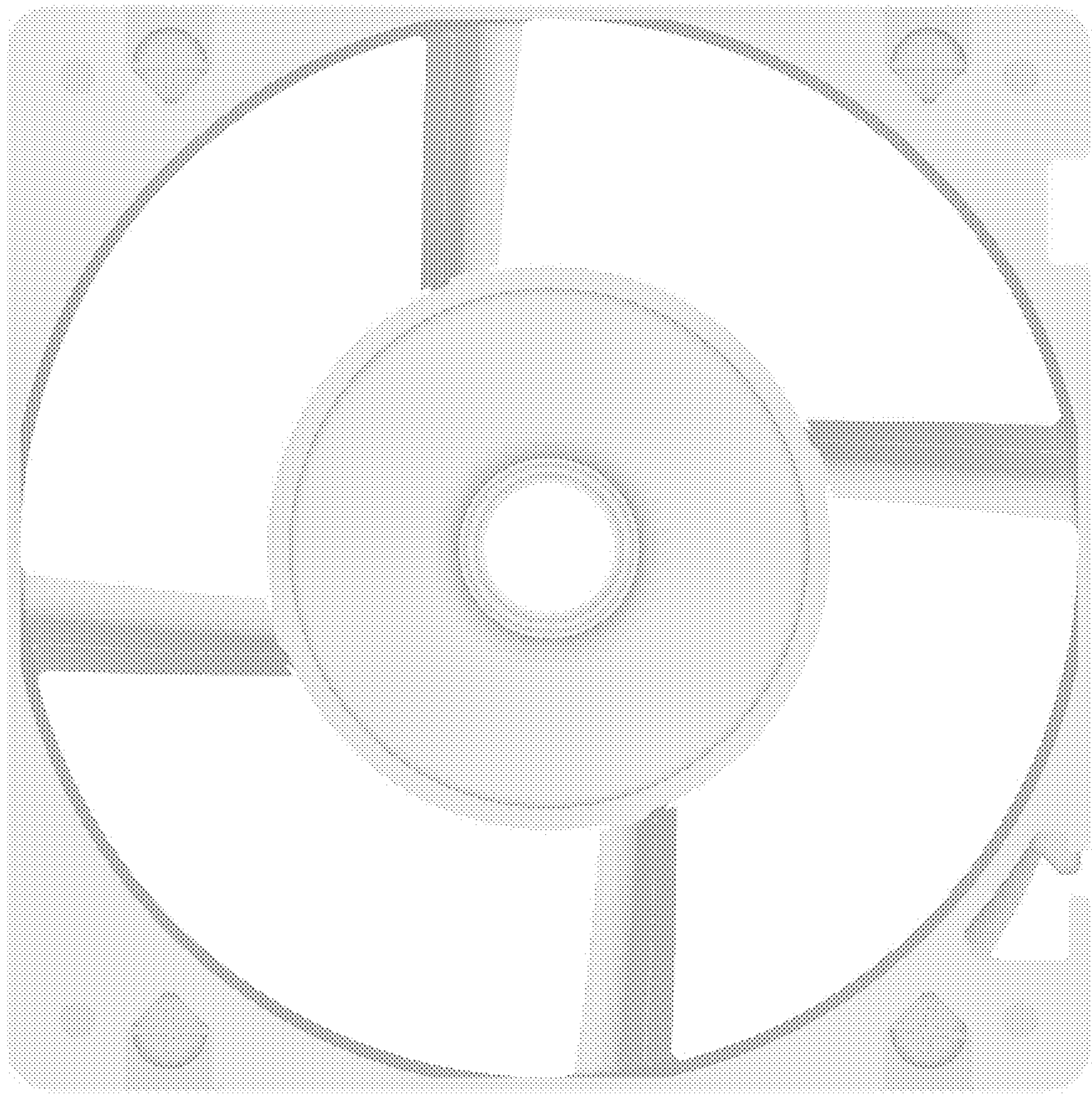


FIG. 15

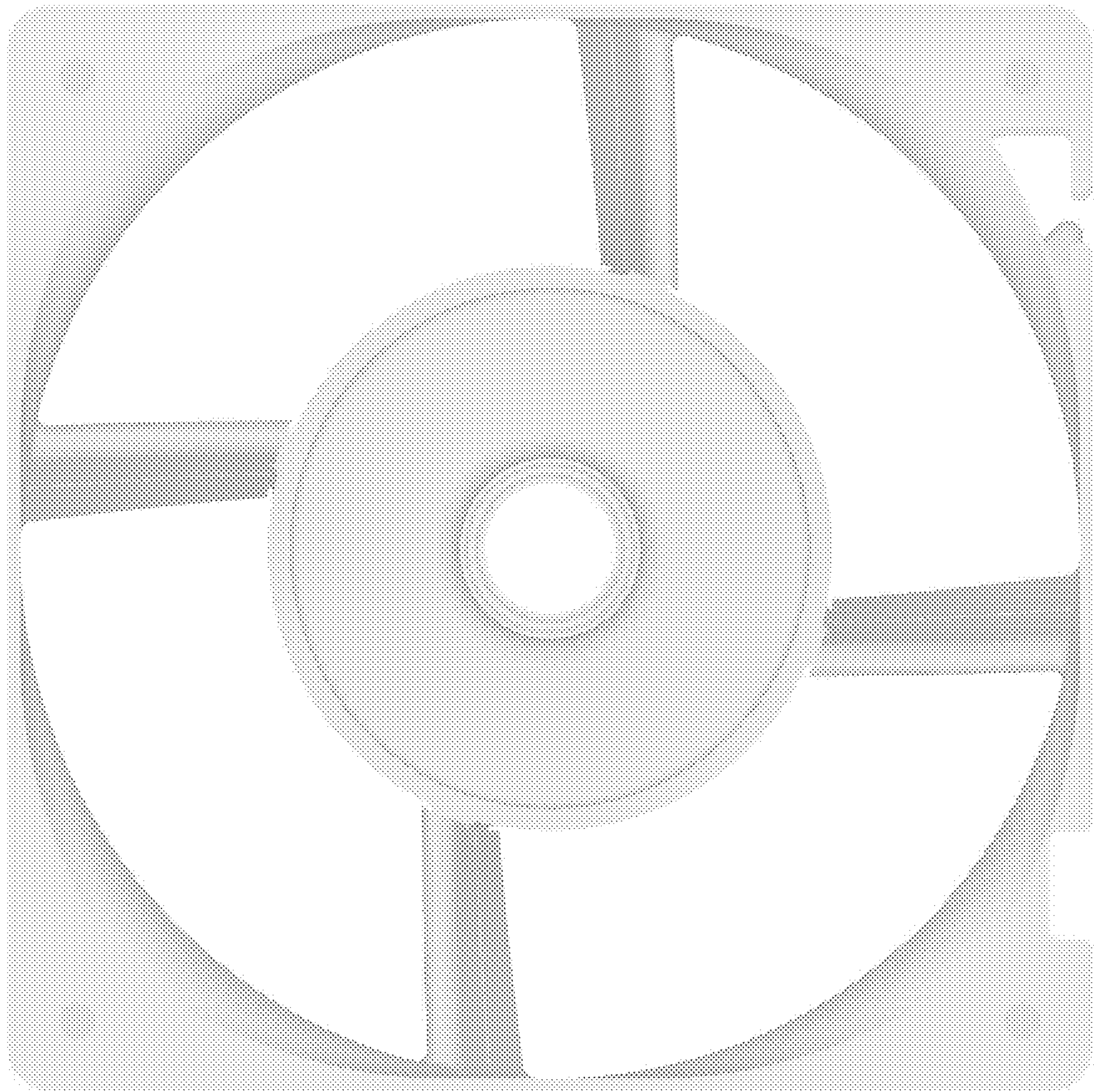


FIG. 16

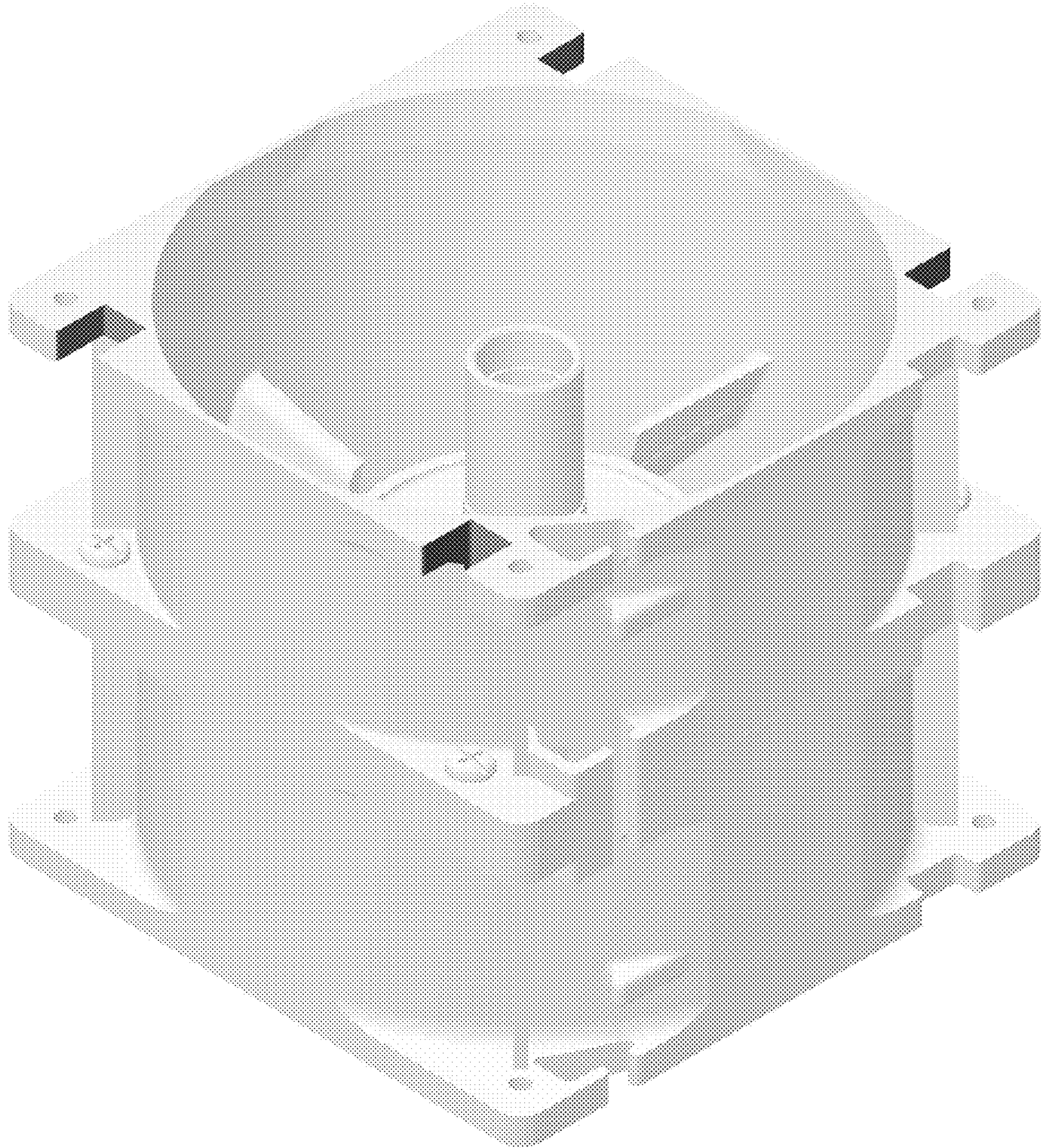


FIG. 17

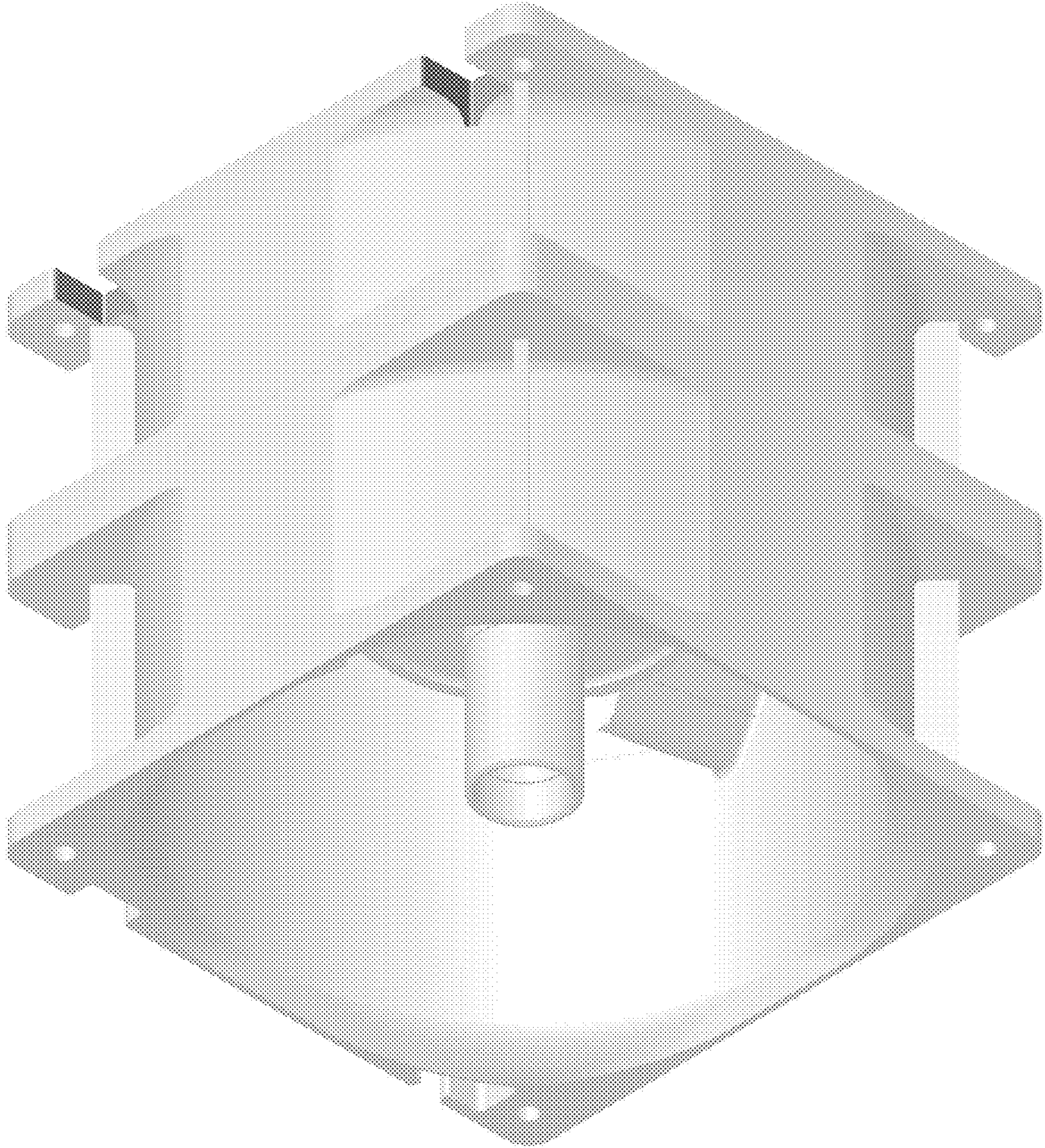


FIG. 18

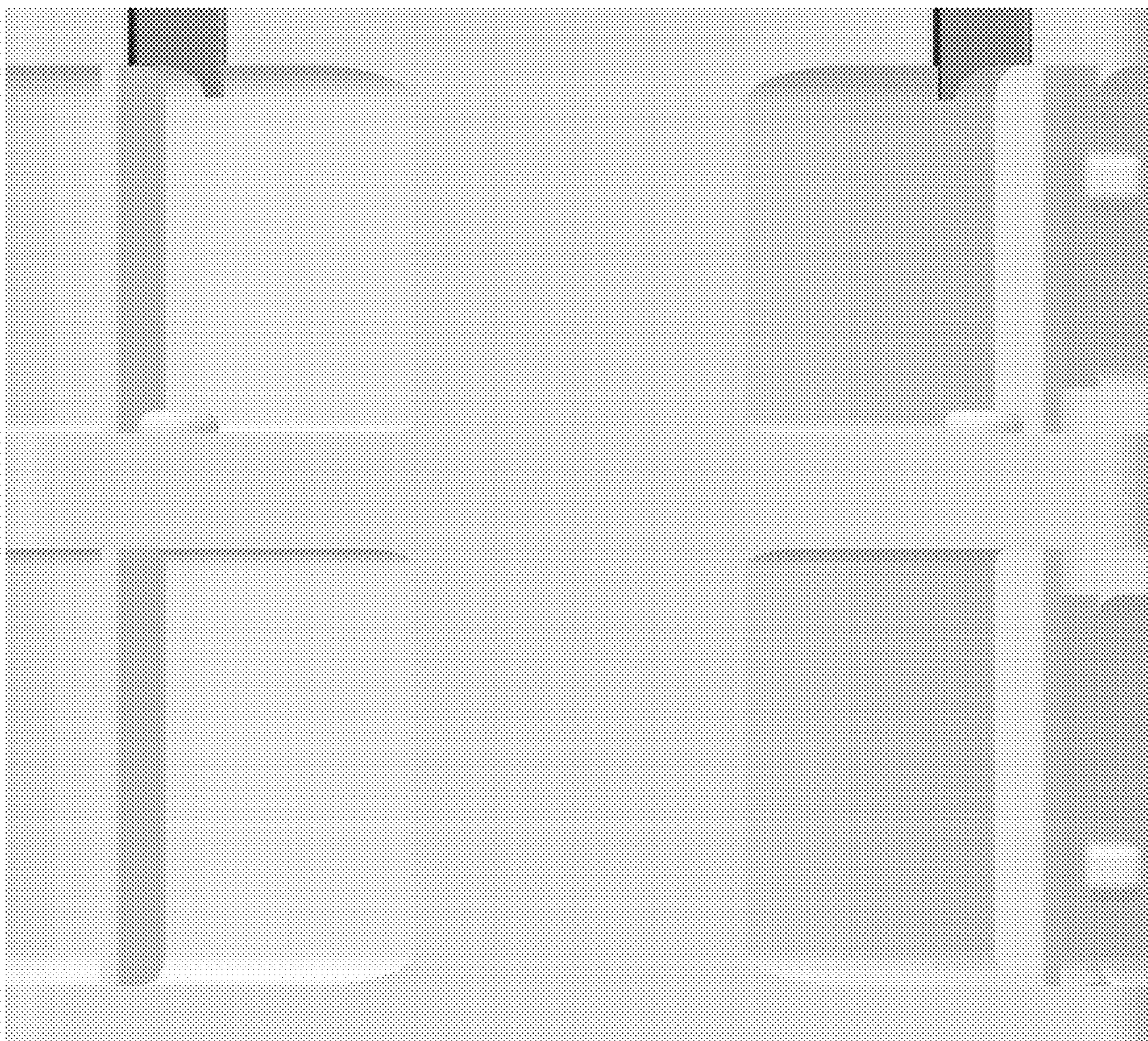


FIG. 19

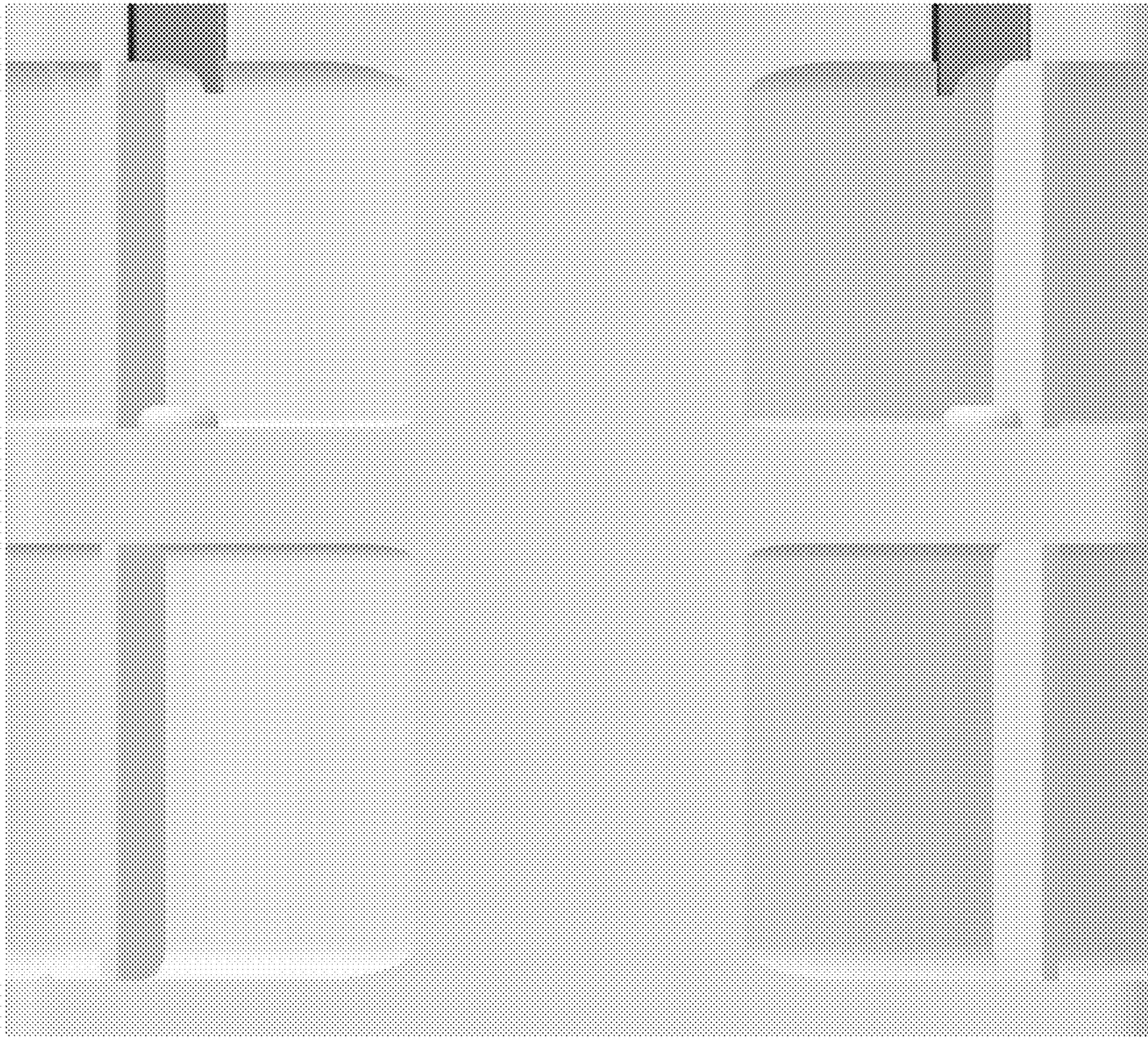


FIG. 20

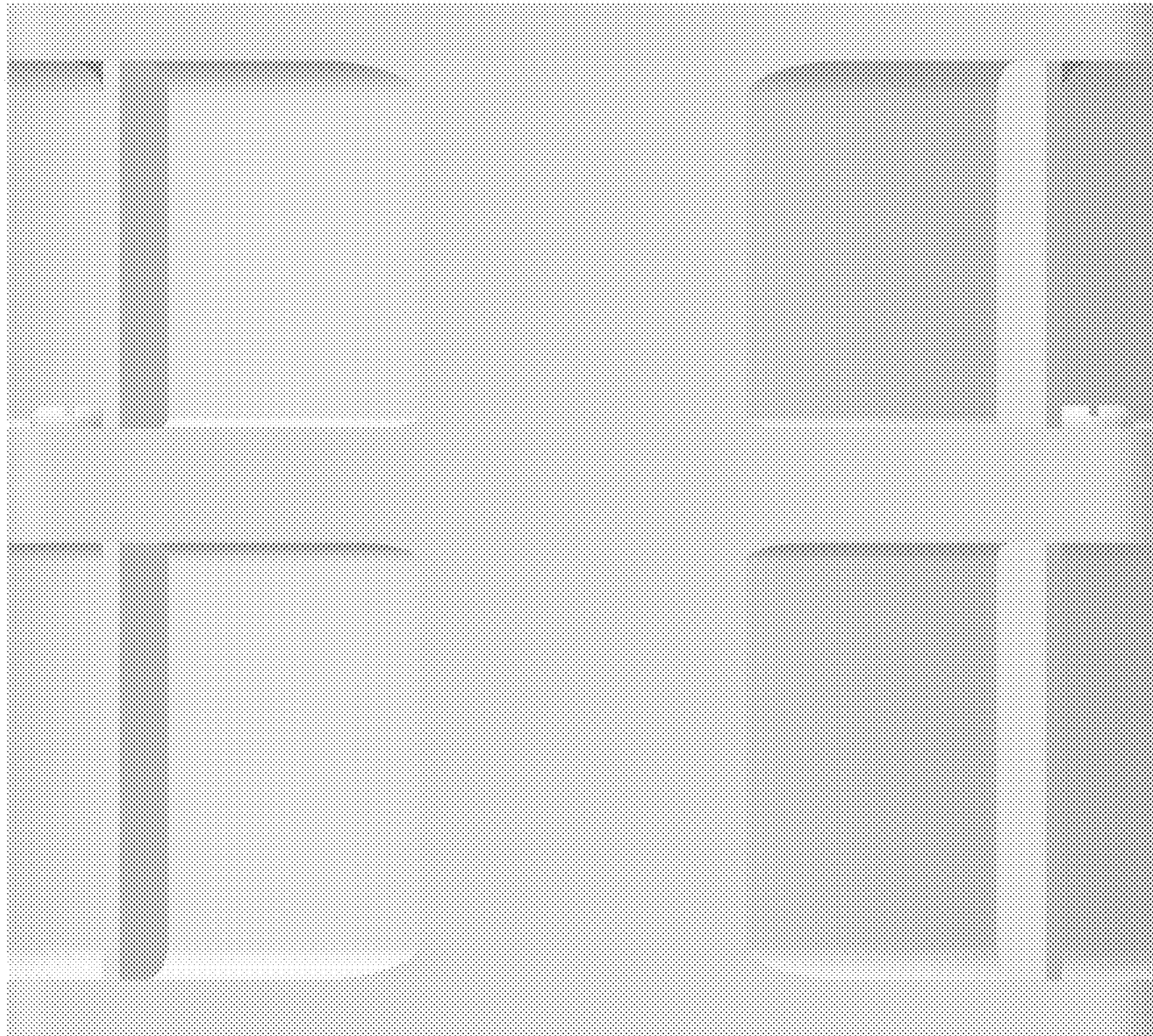


FIG. 21

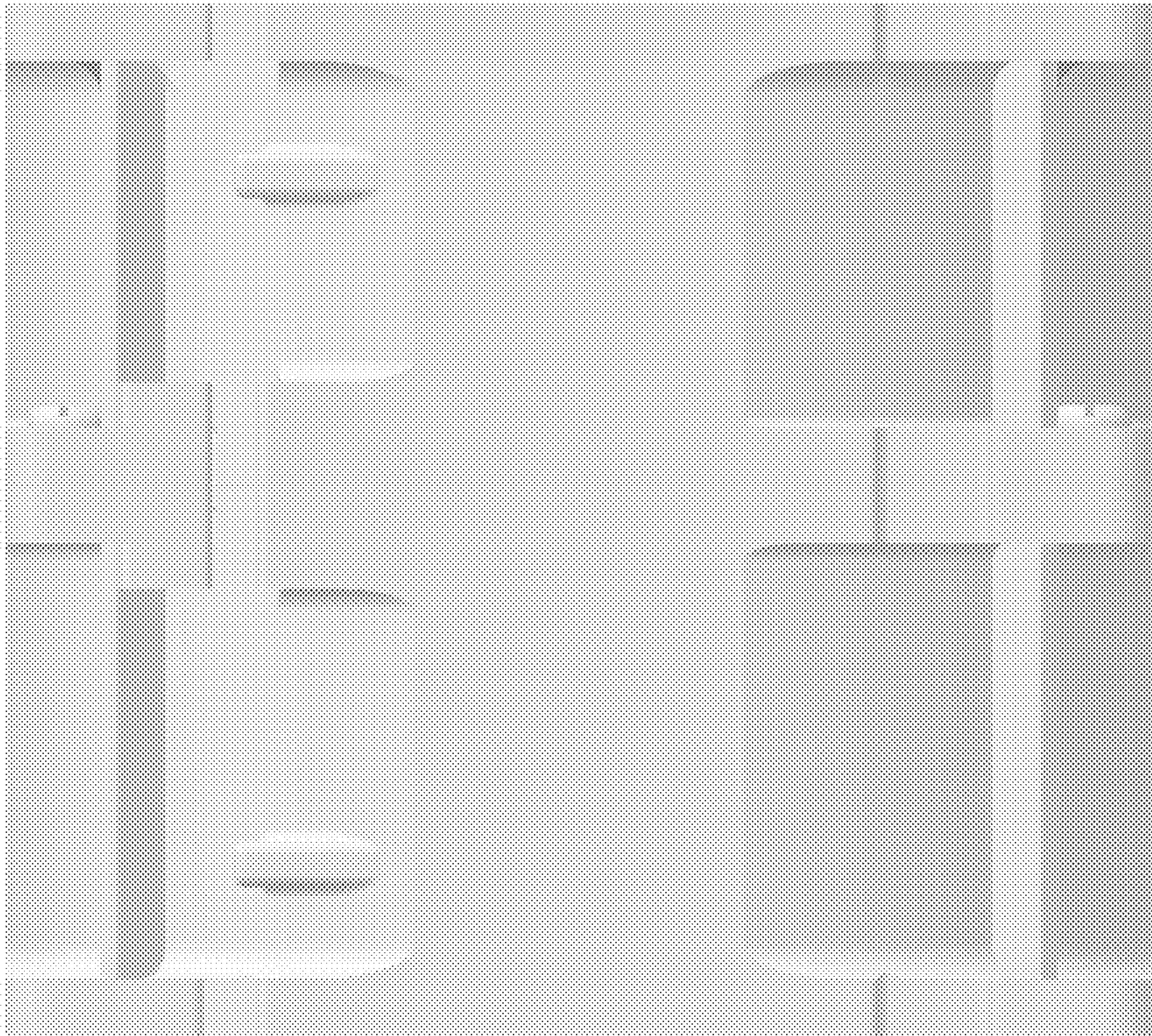


FIG. 22

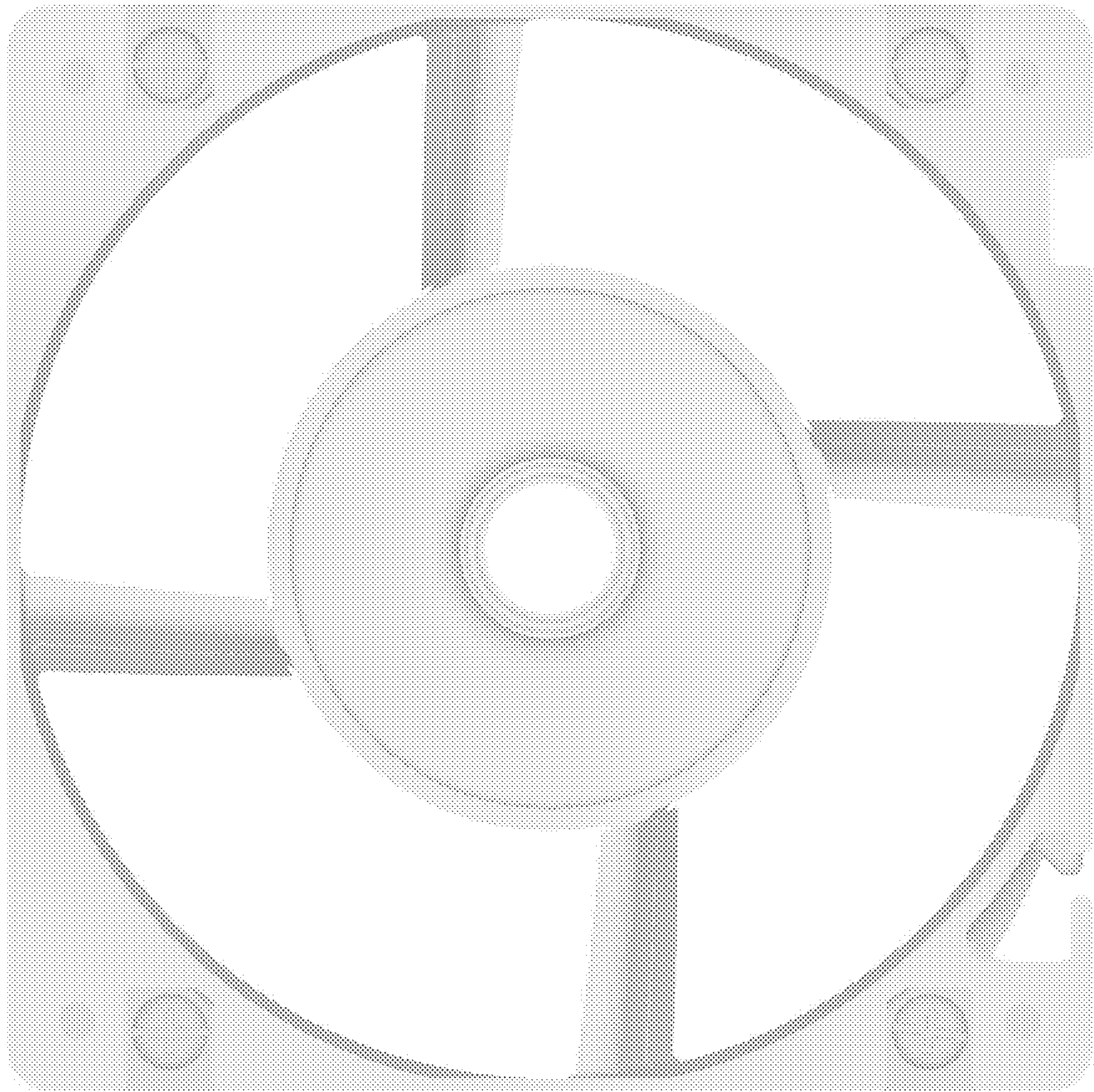


FIG. 23

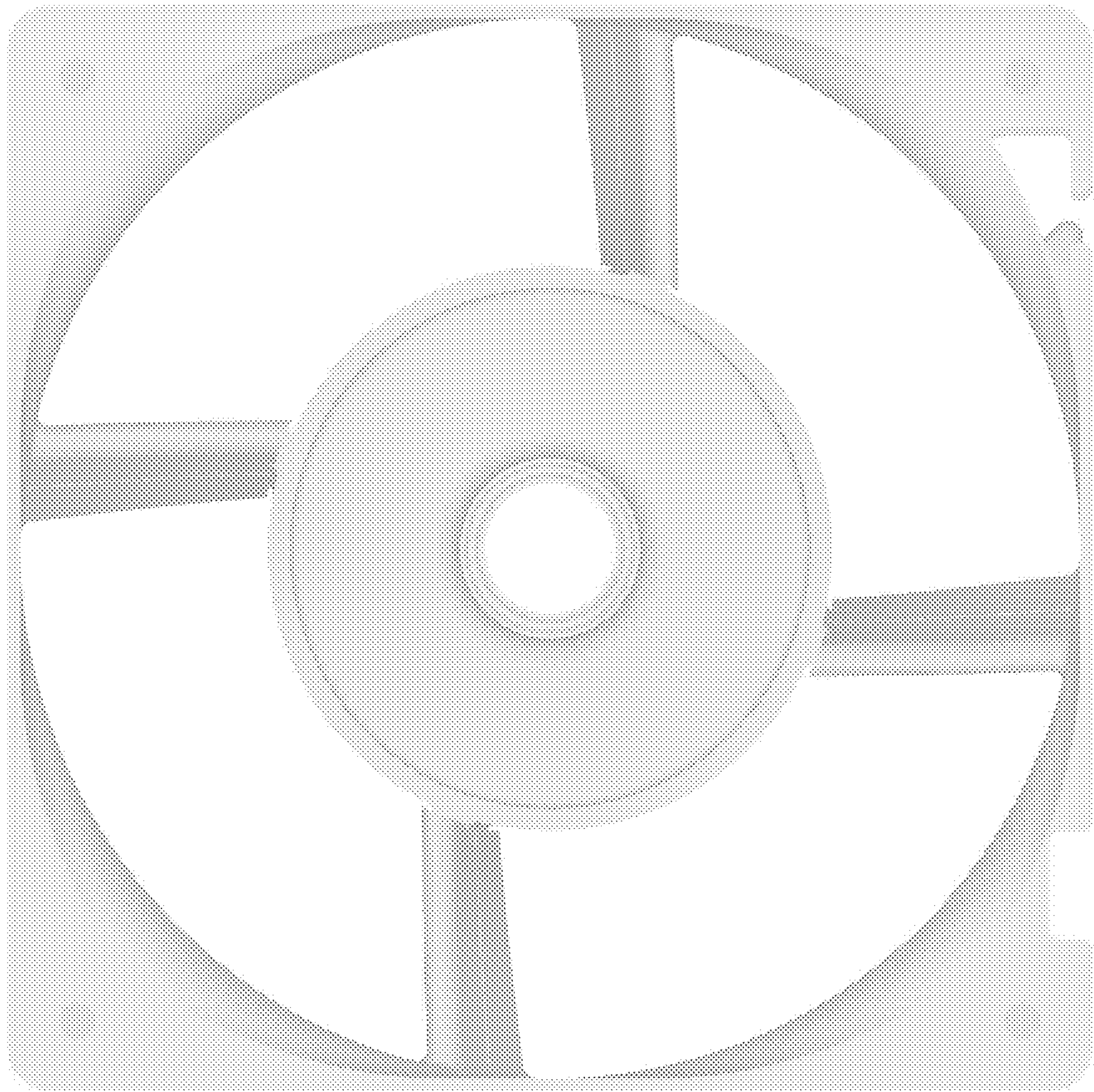


FIG. 24

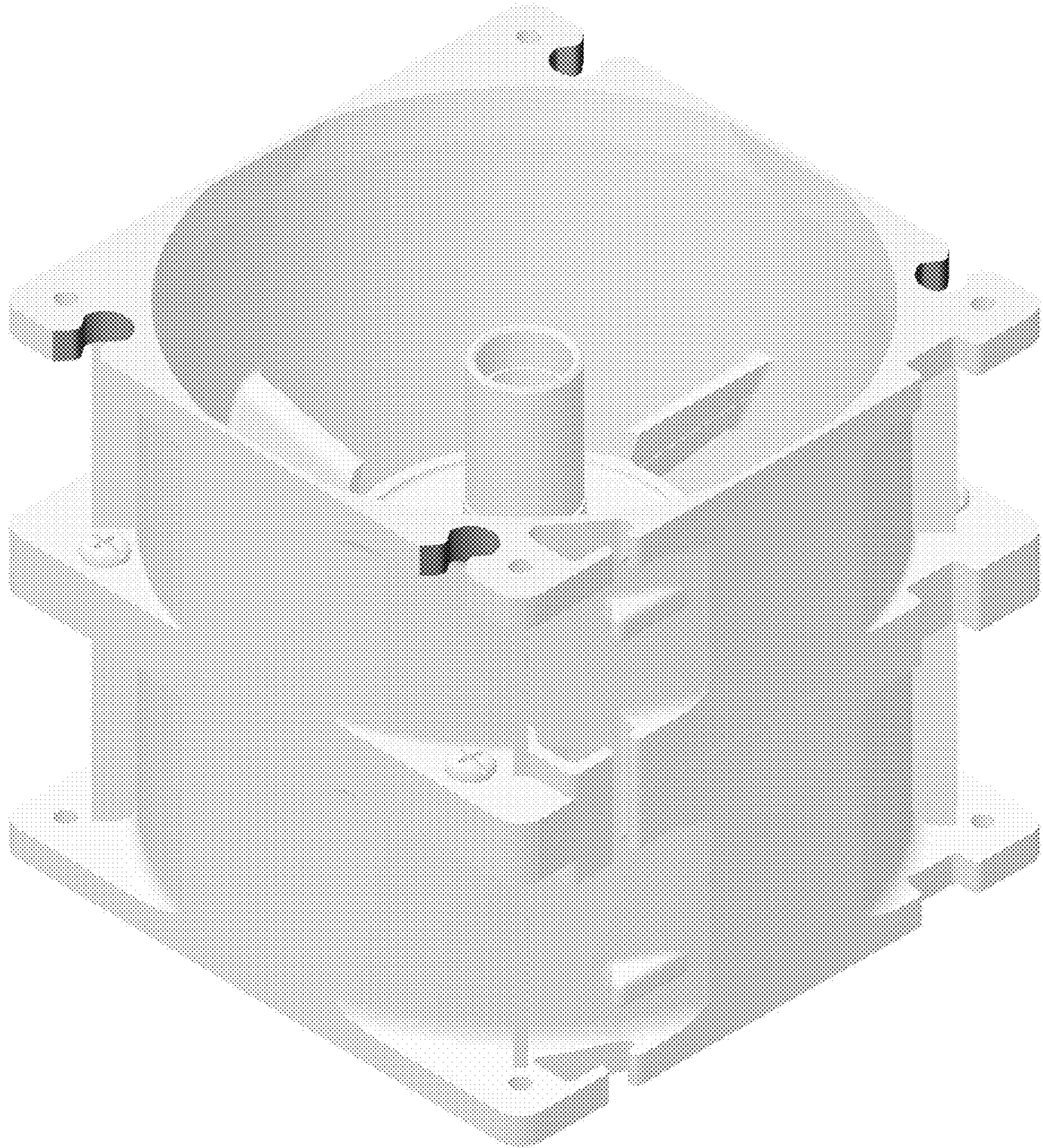


FIG. 25

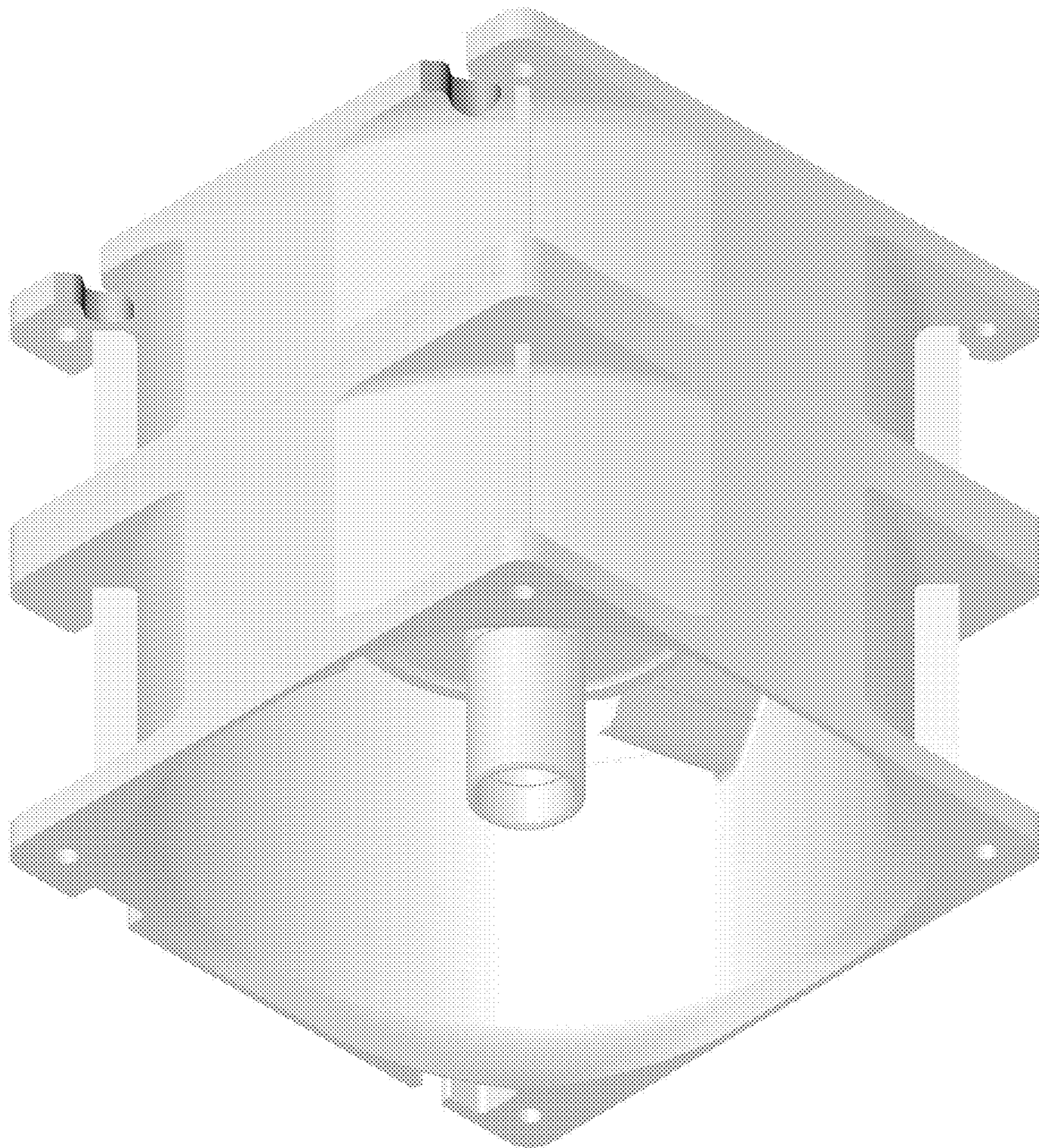


FIG. 26

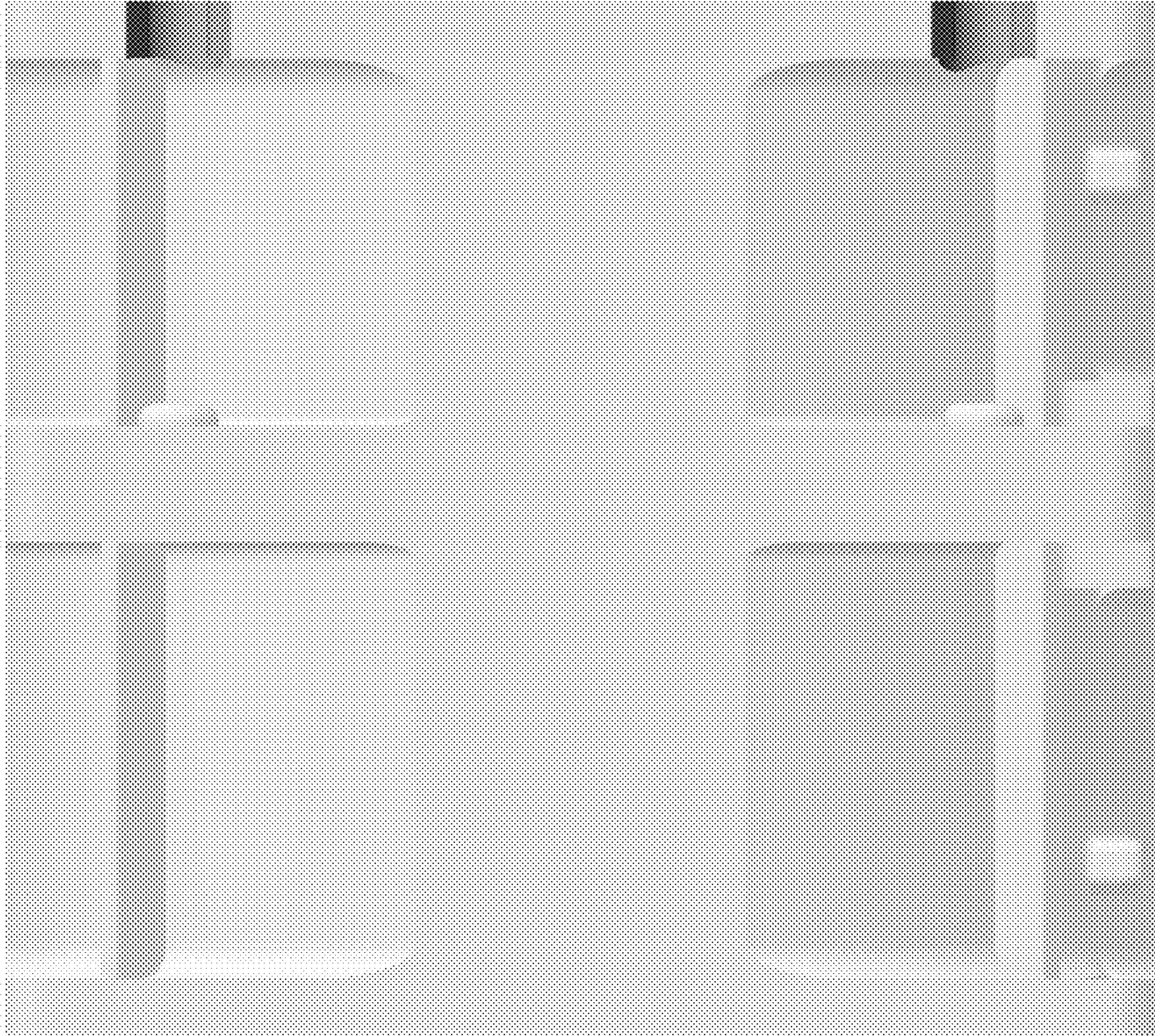


FIG. 27

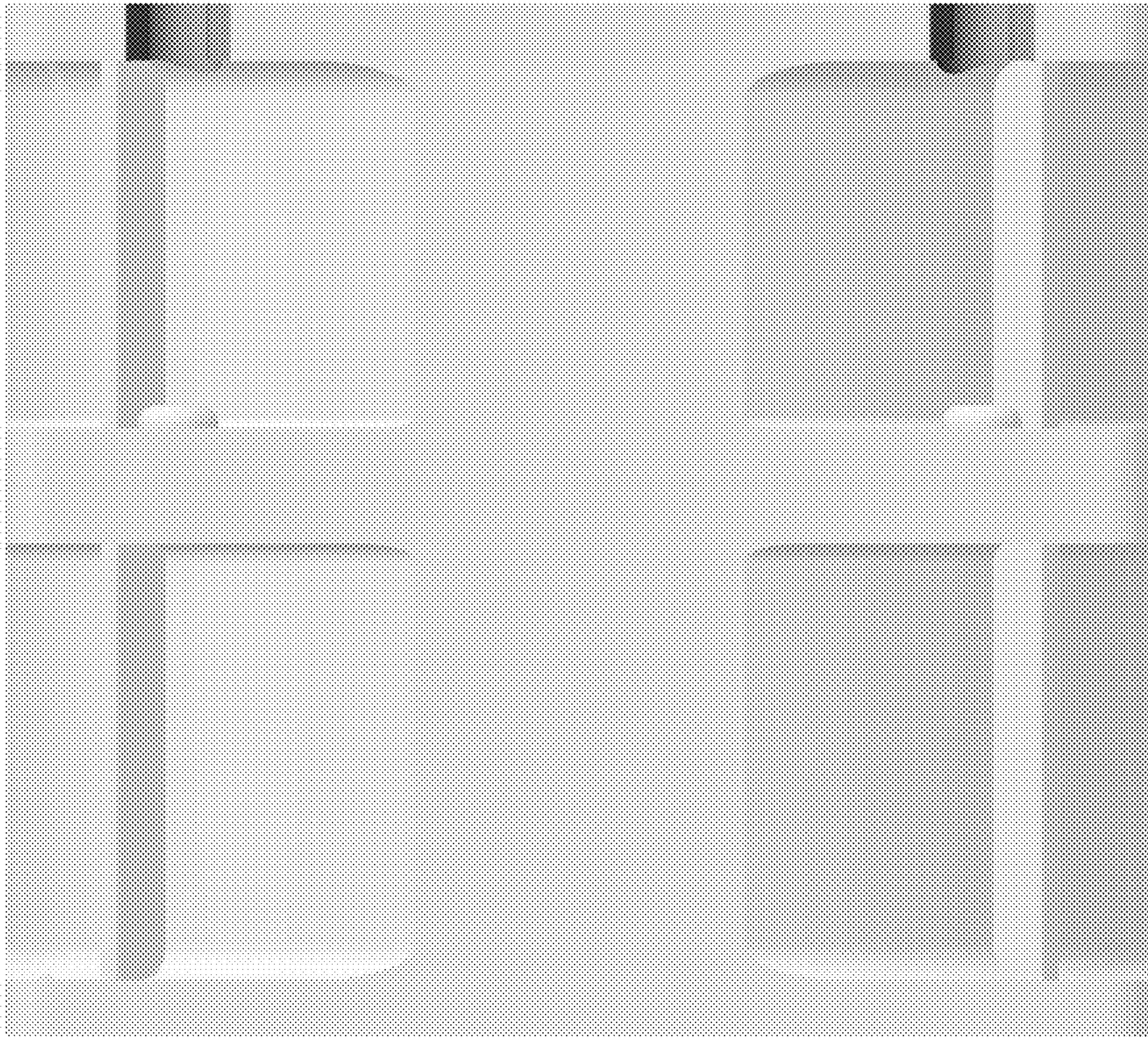


FIG. 28

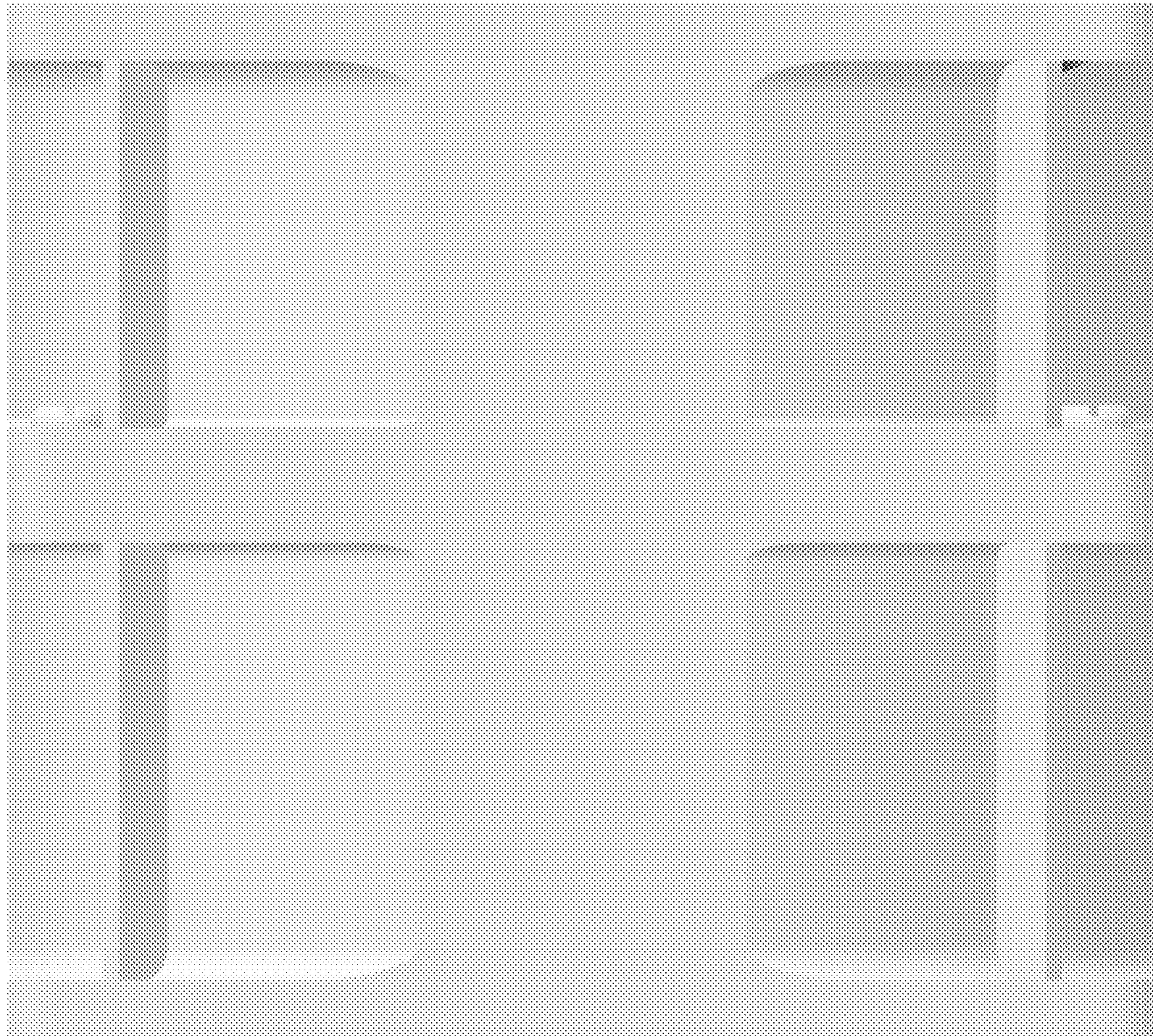


FIG. 29

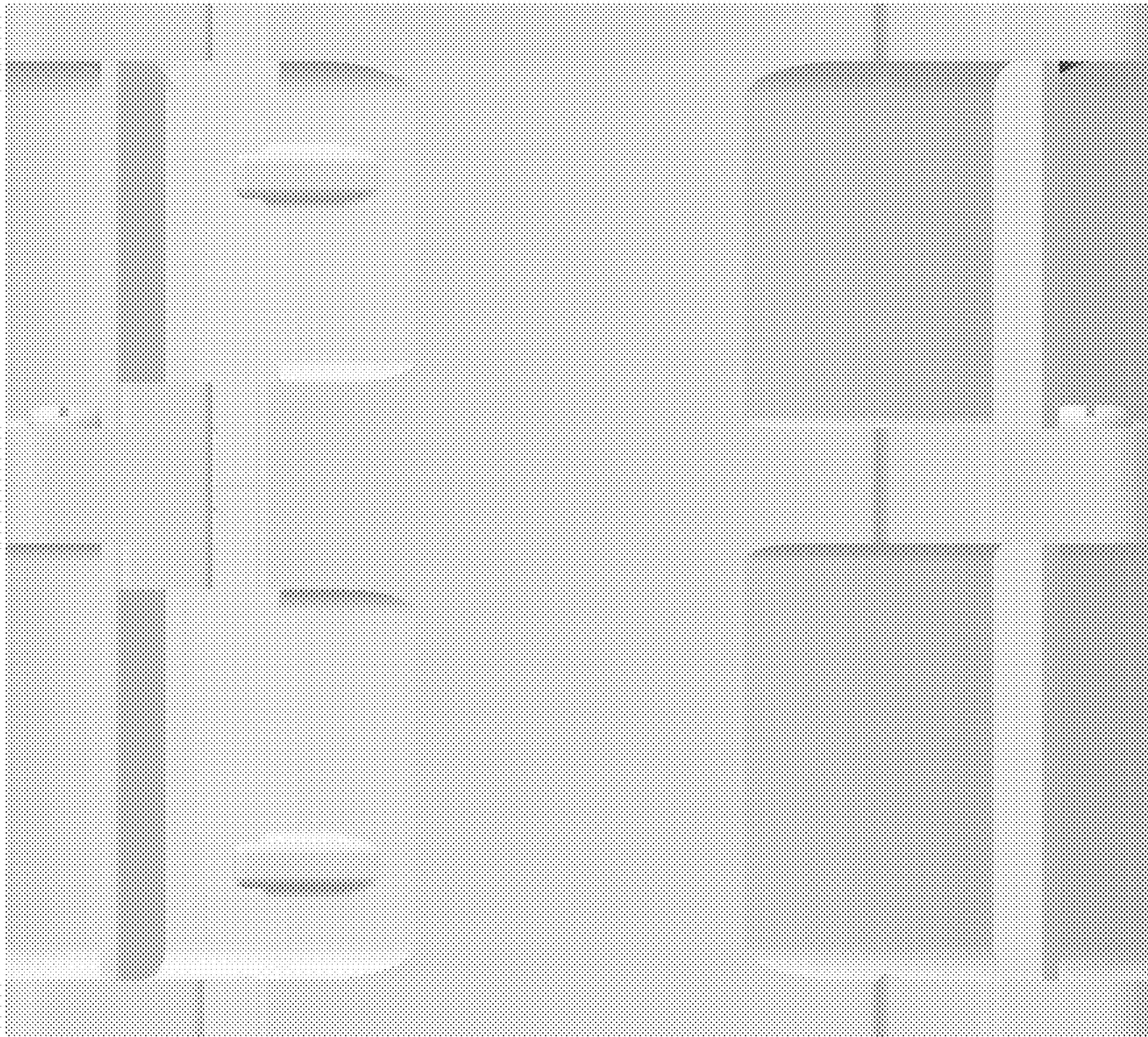


FIG. 30

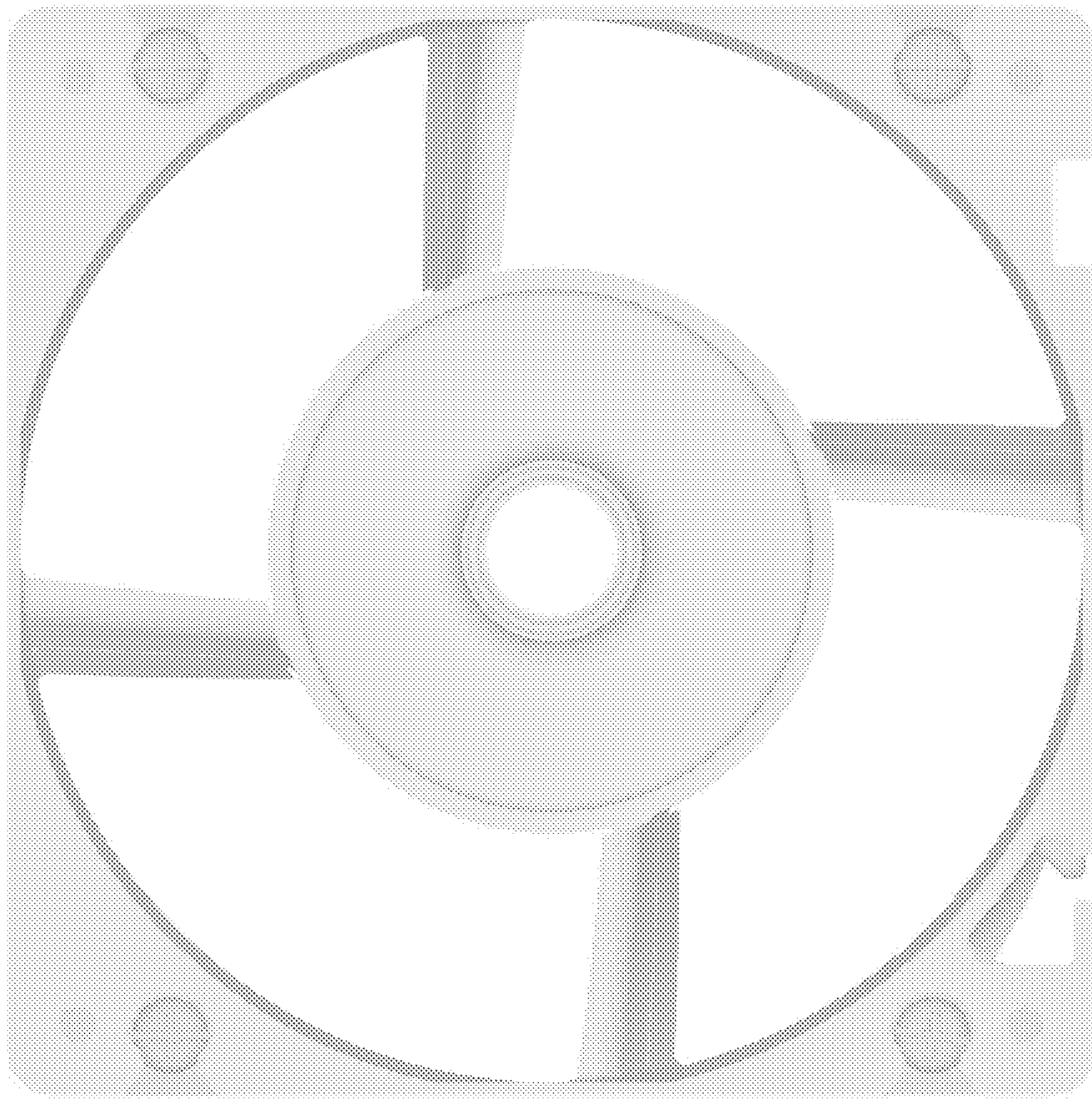


FIG. 31

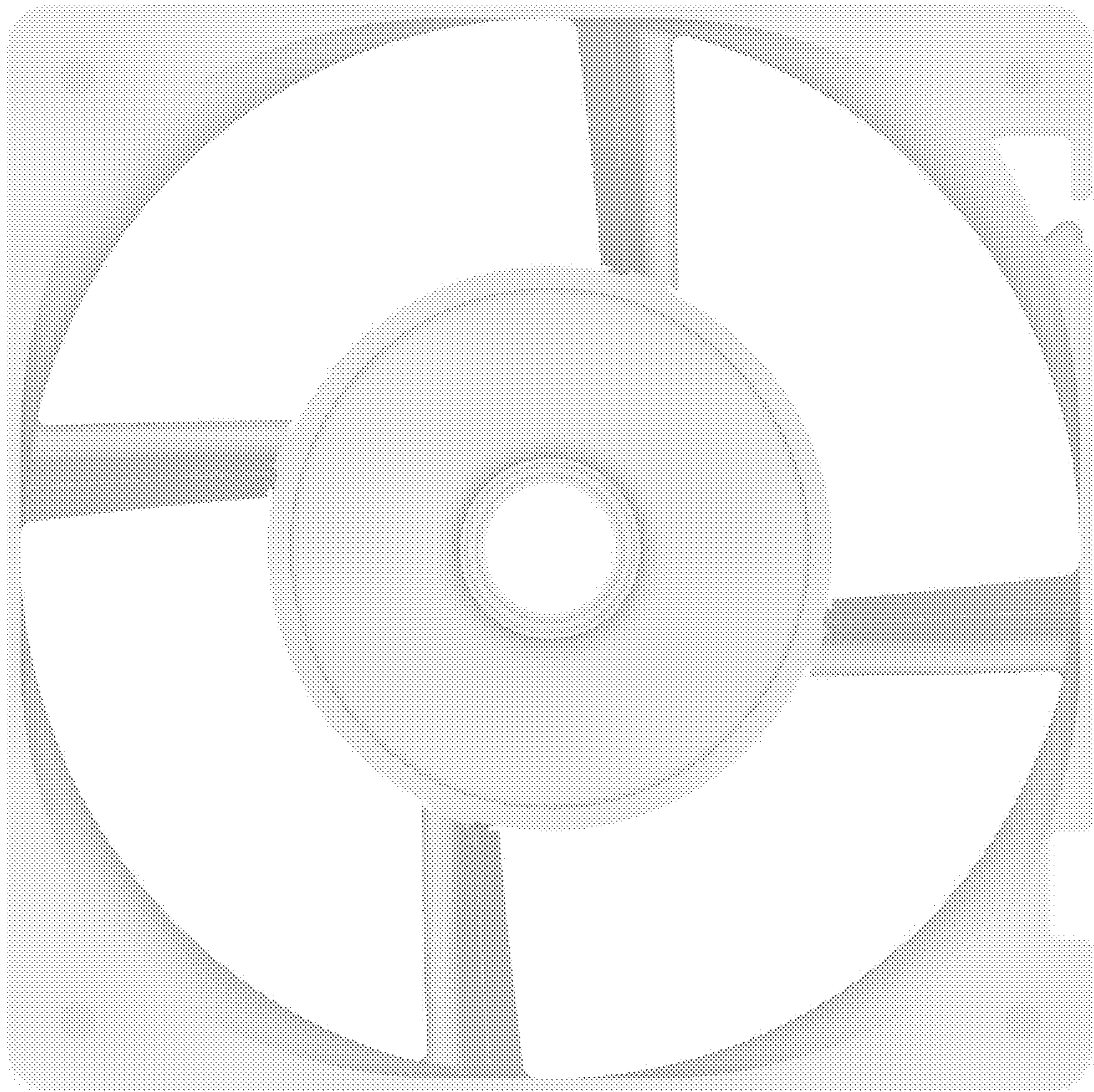


FIG. 32

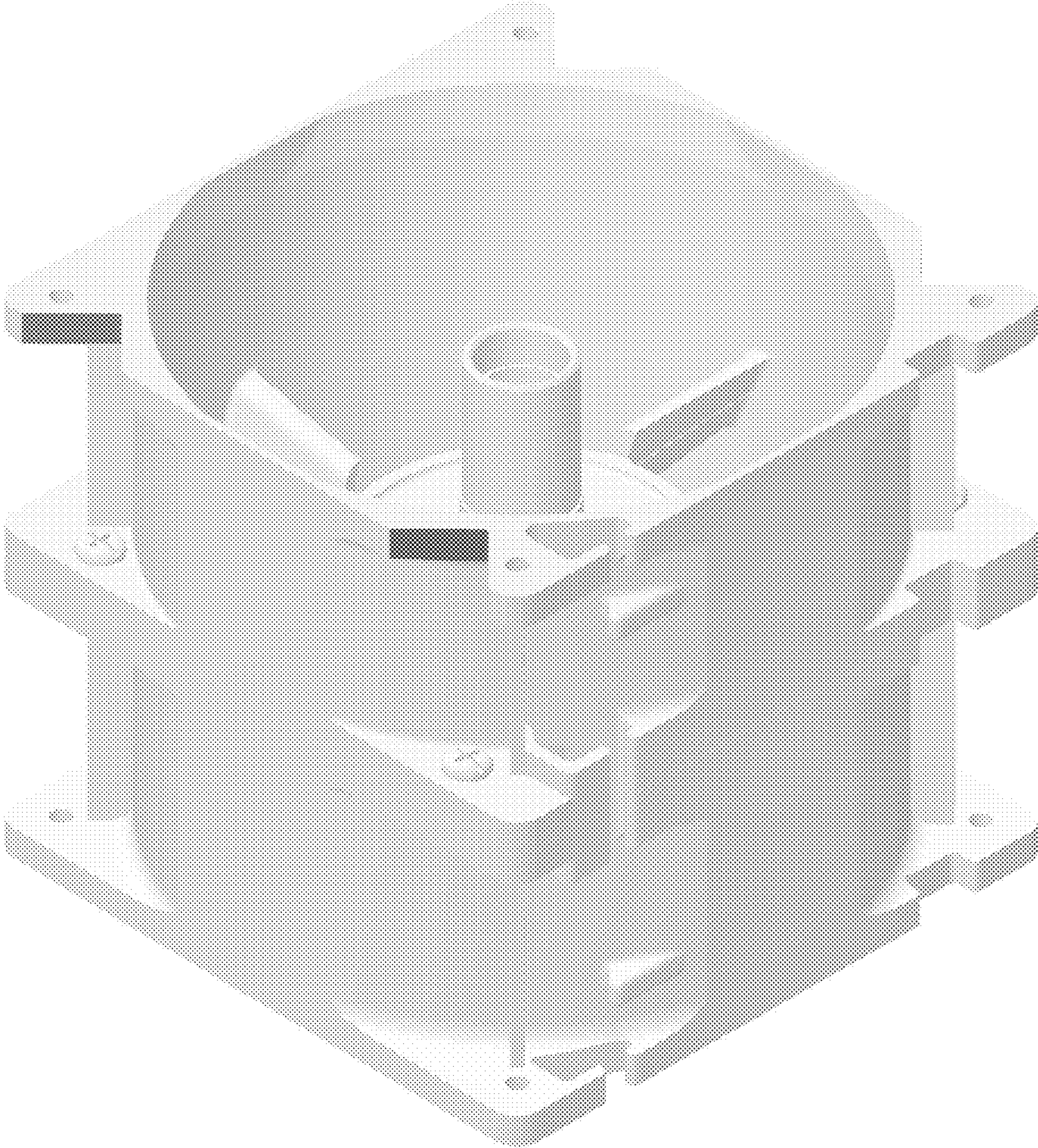


FIG. 33

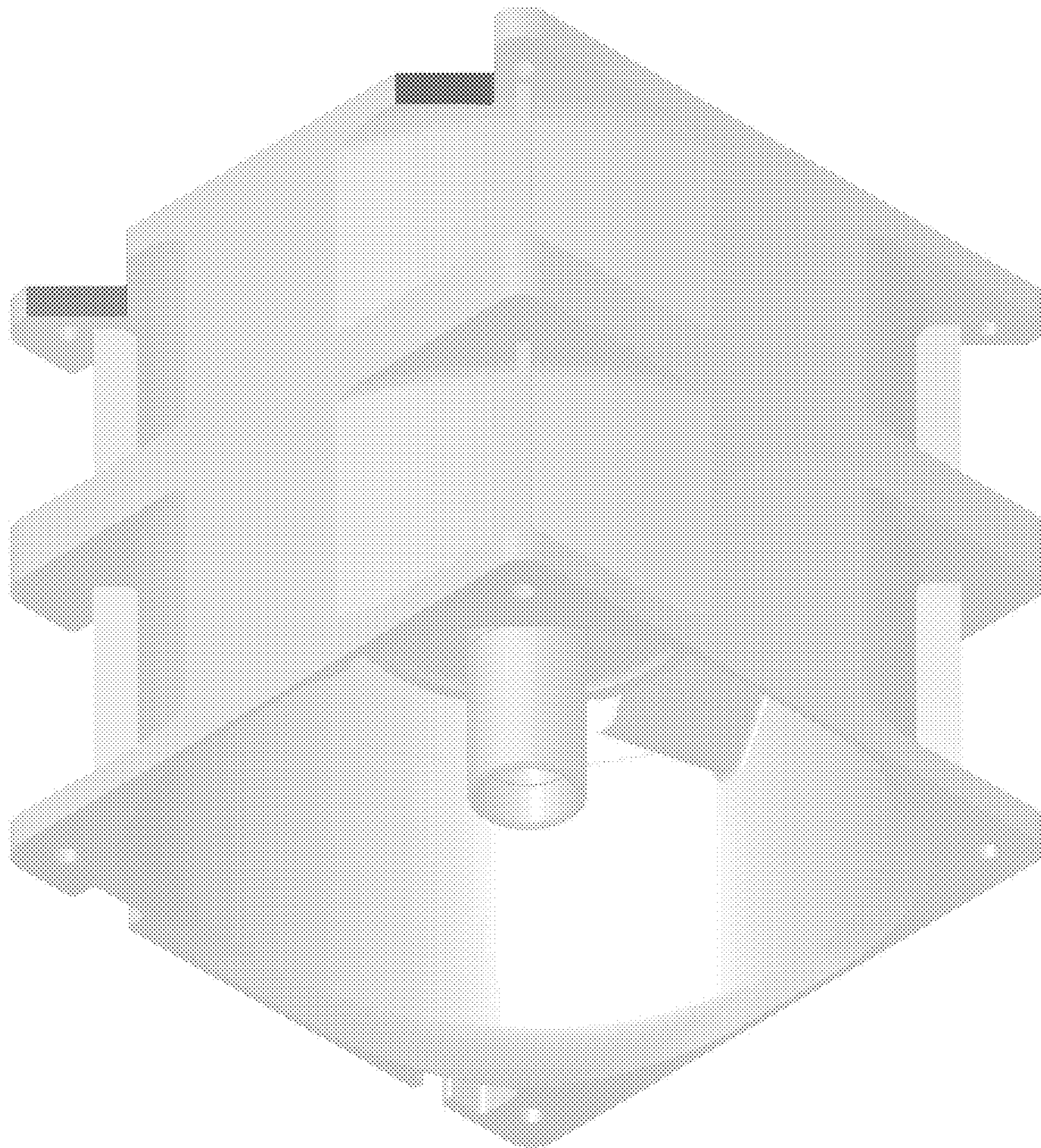


FIG. 34

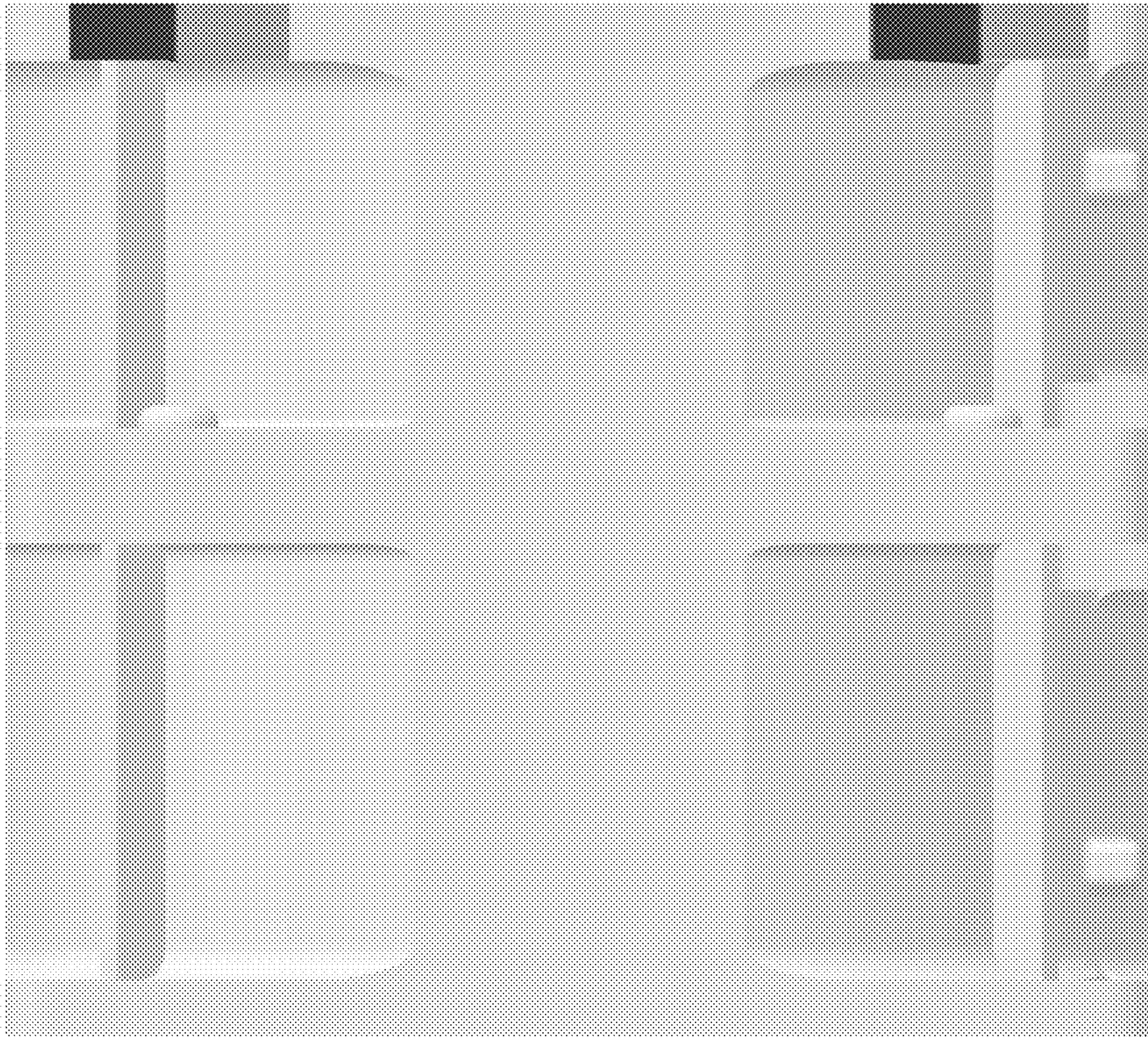


FIG. 35

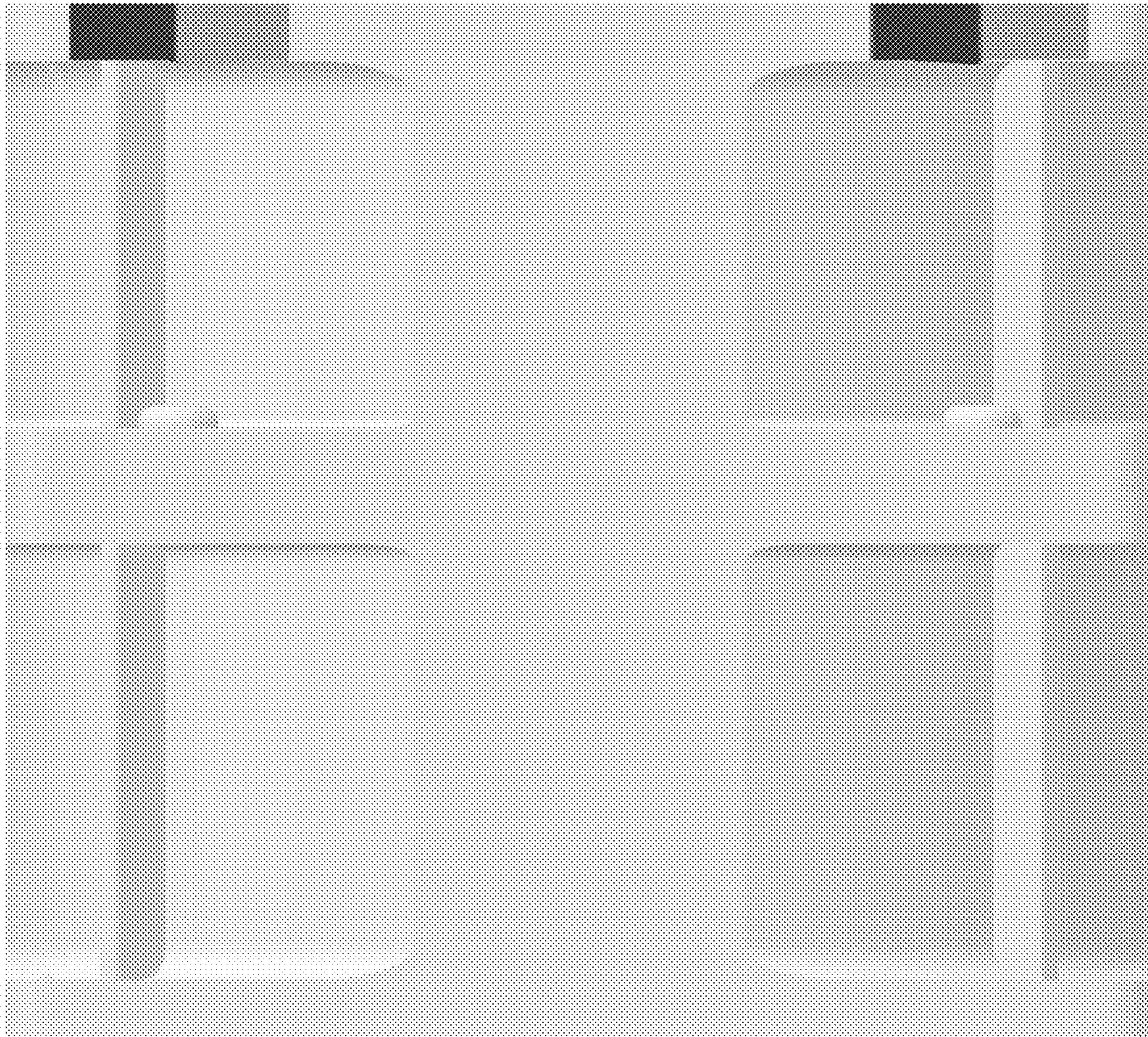


FIG. 36

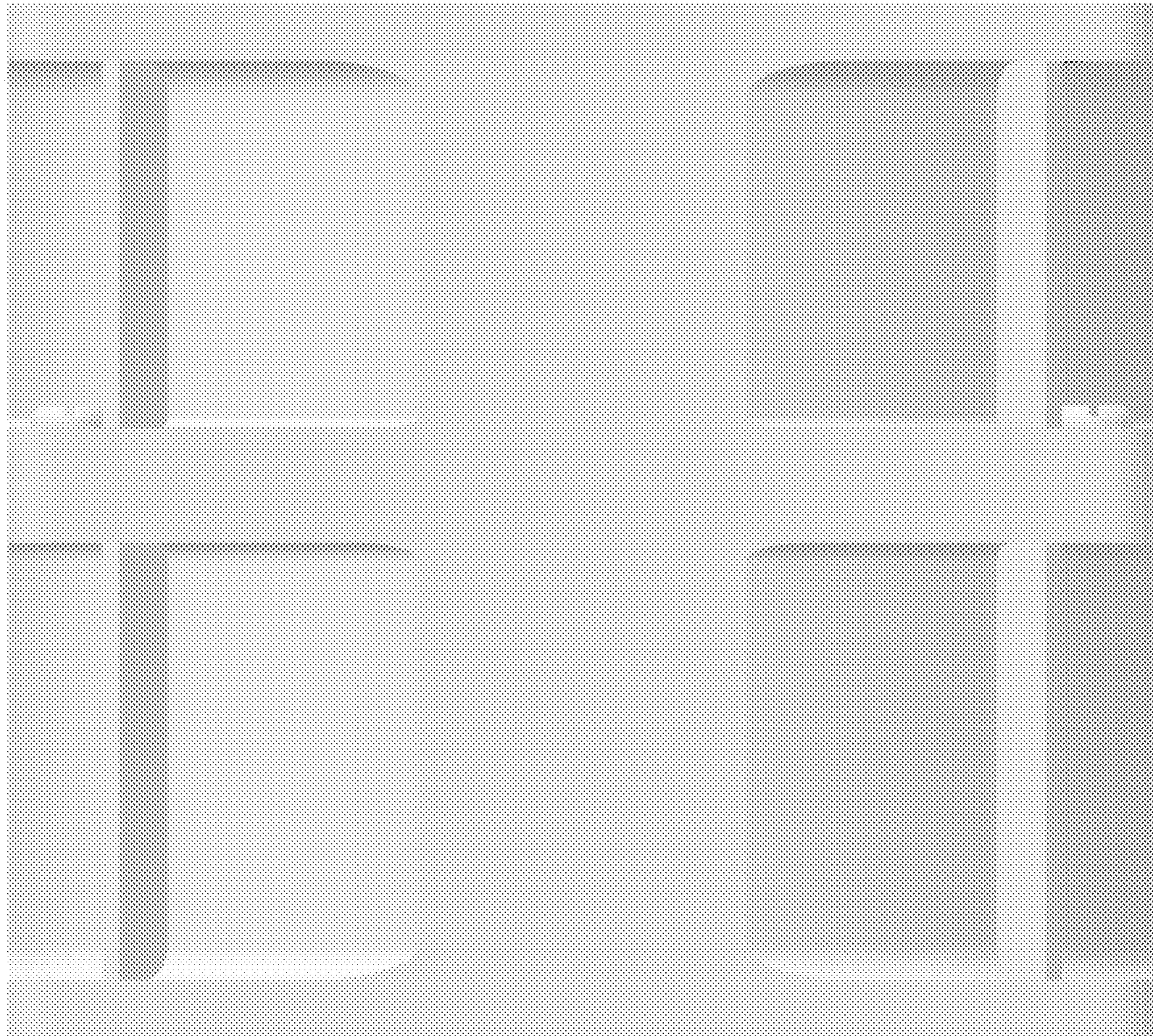


FIG. 37

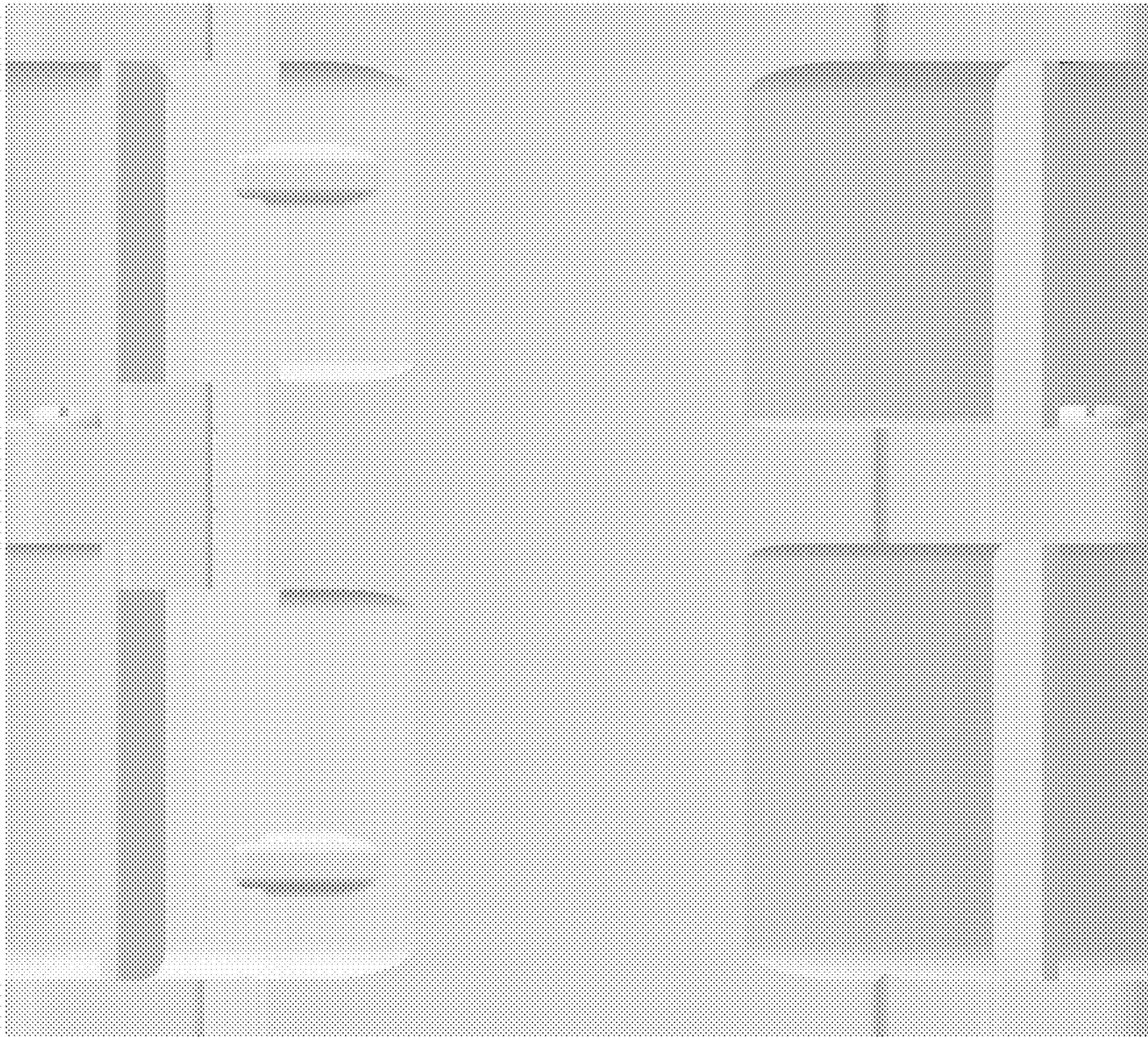


FIG. 38

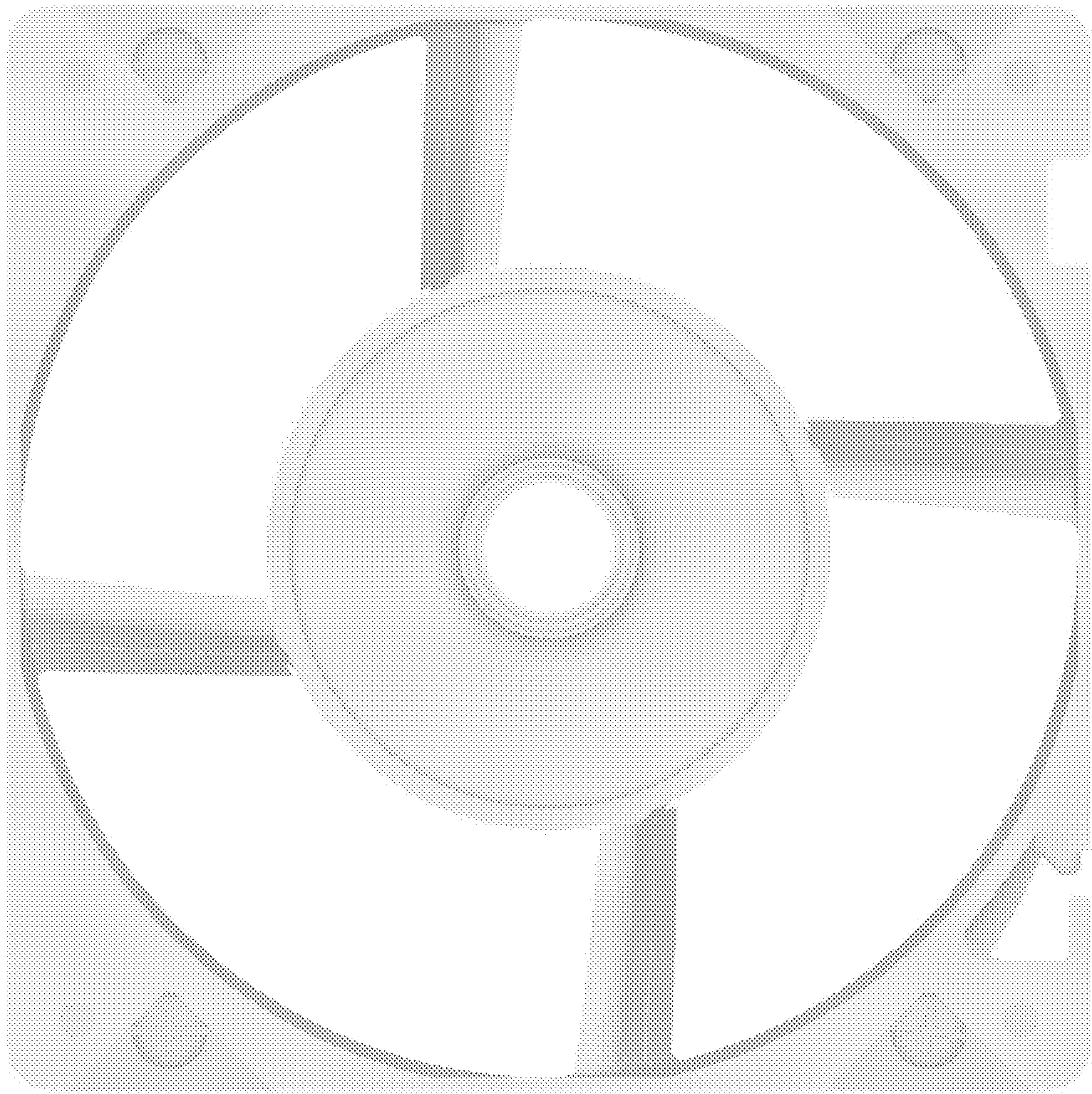


FIG. 39

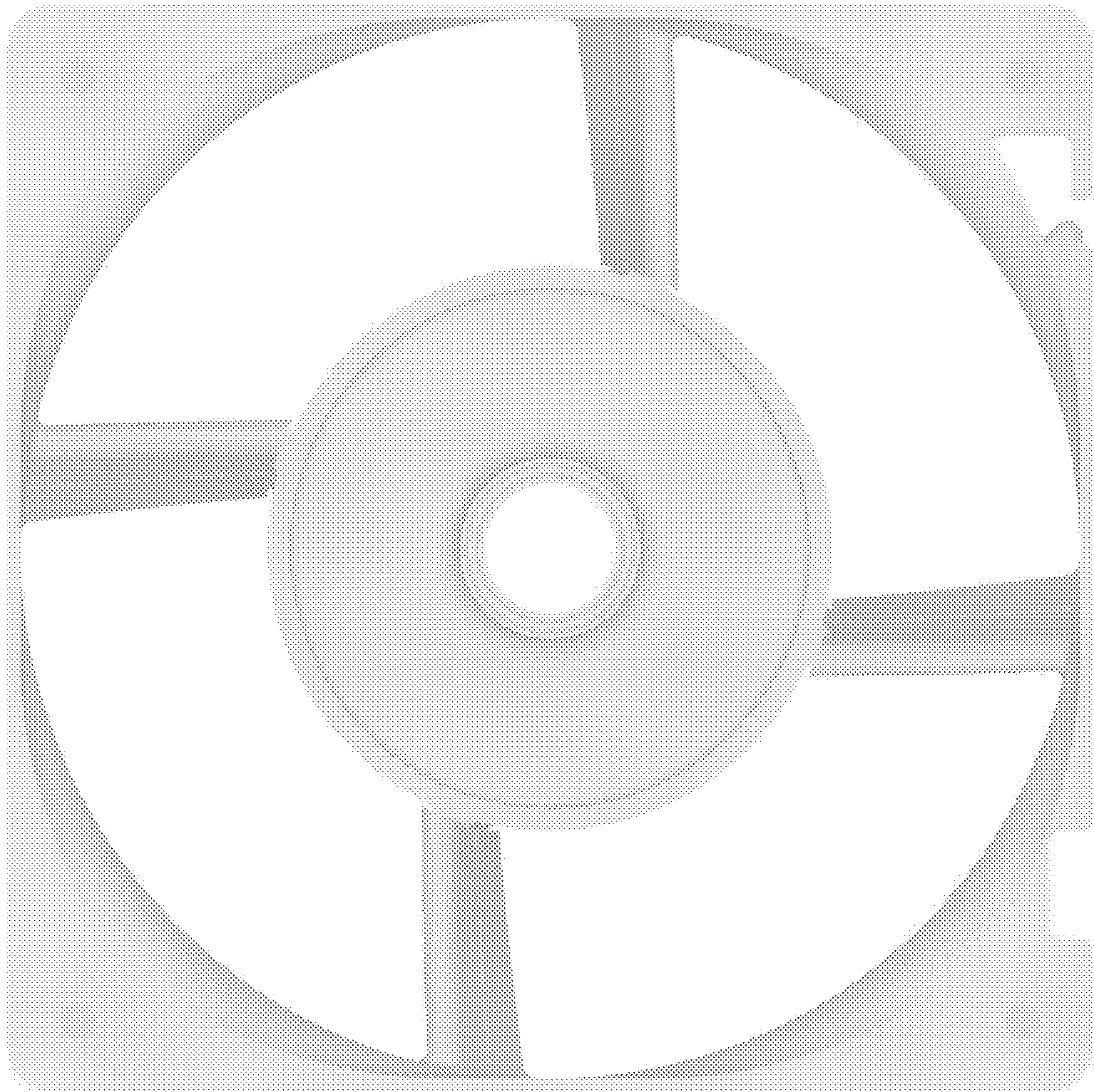


FIG. 40

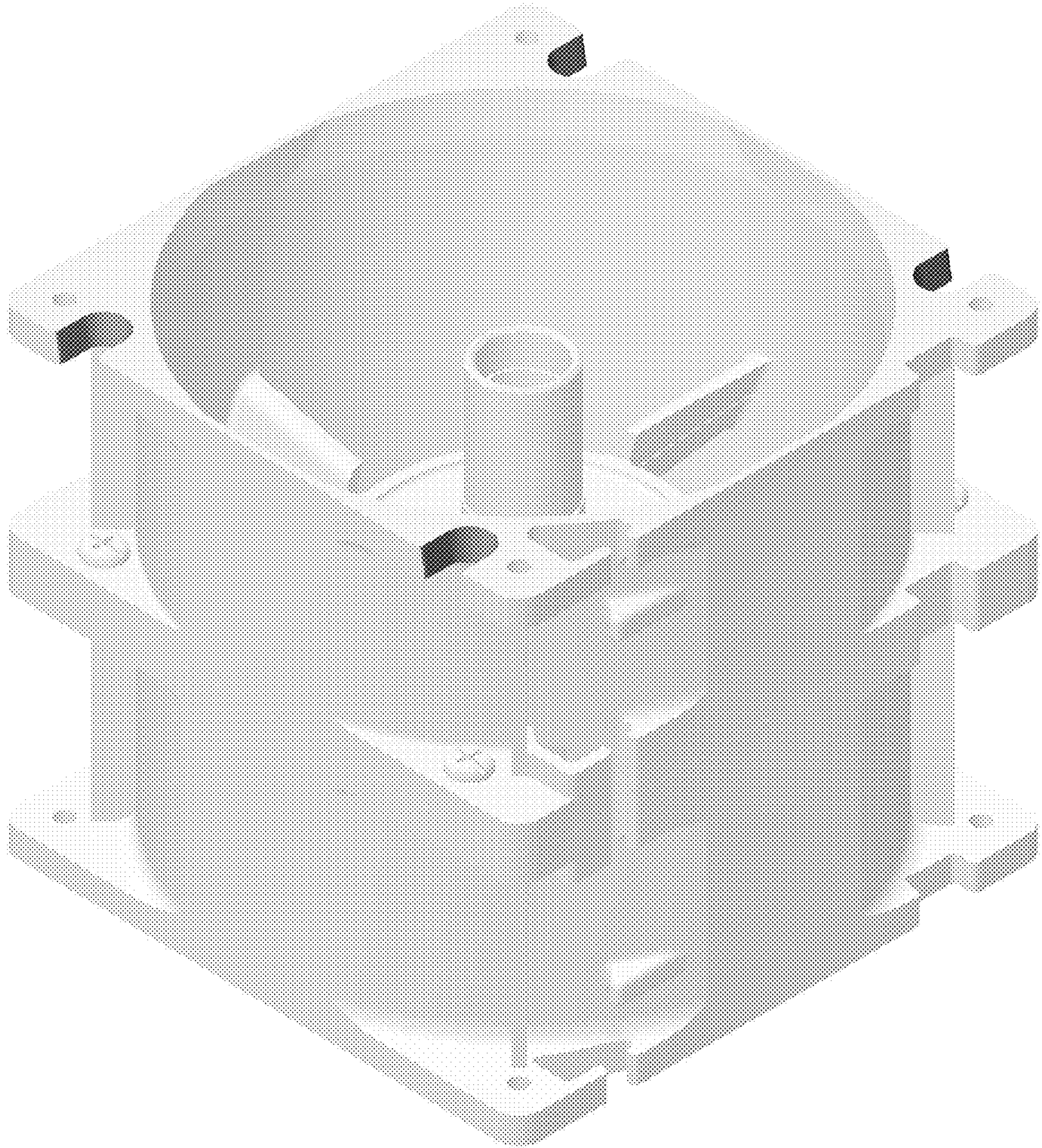


FIG. 41

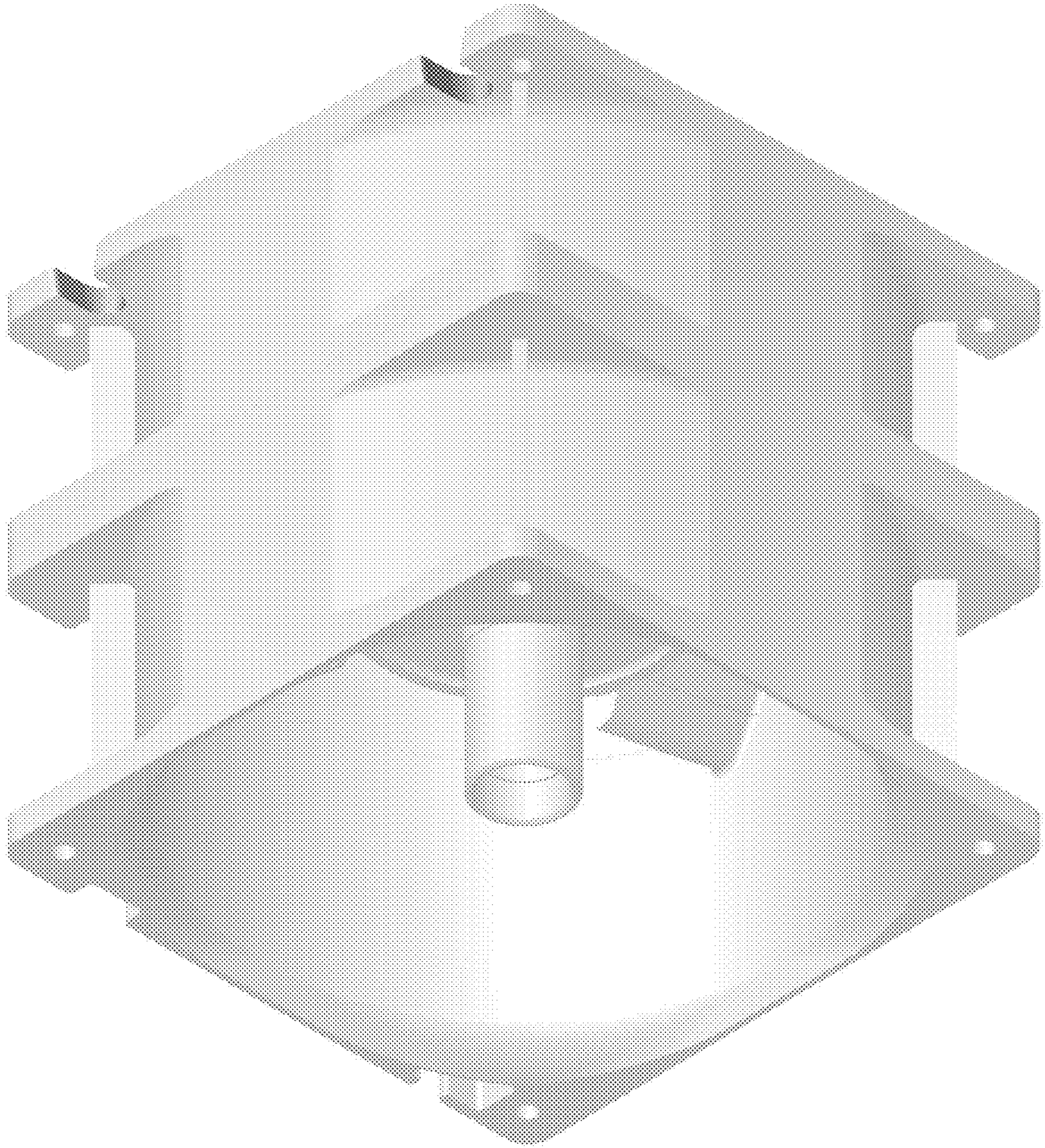


FIG. 42

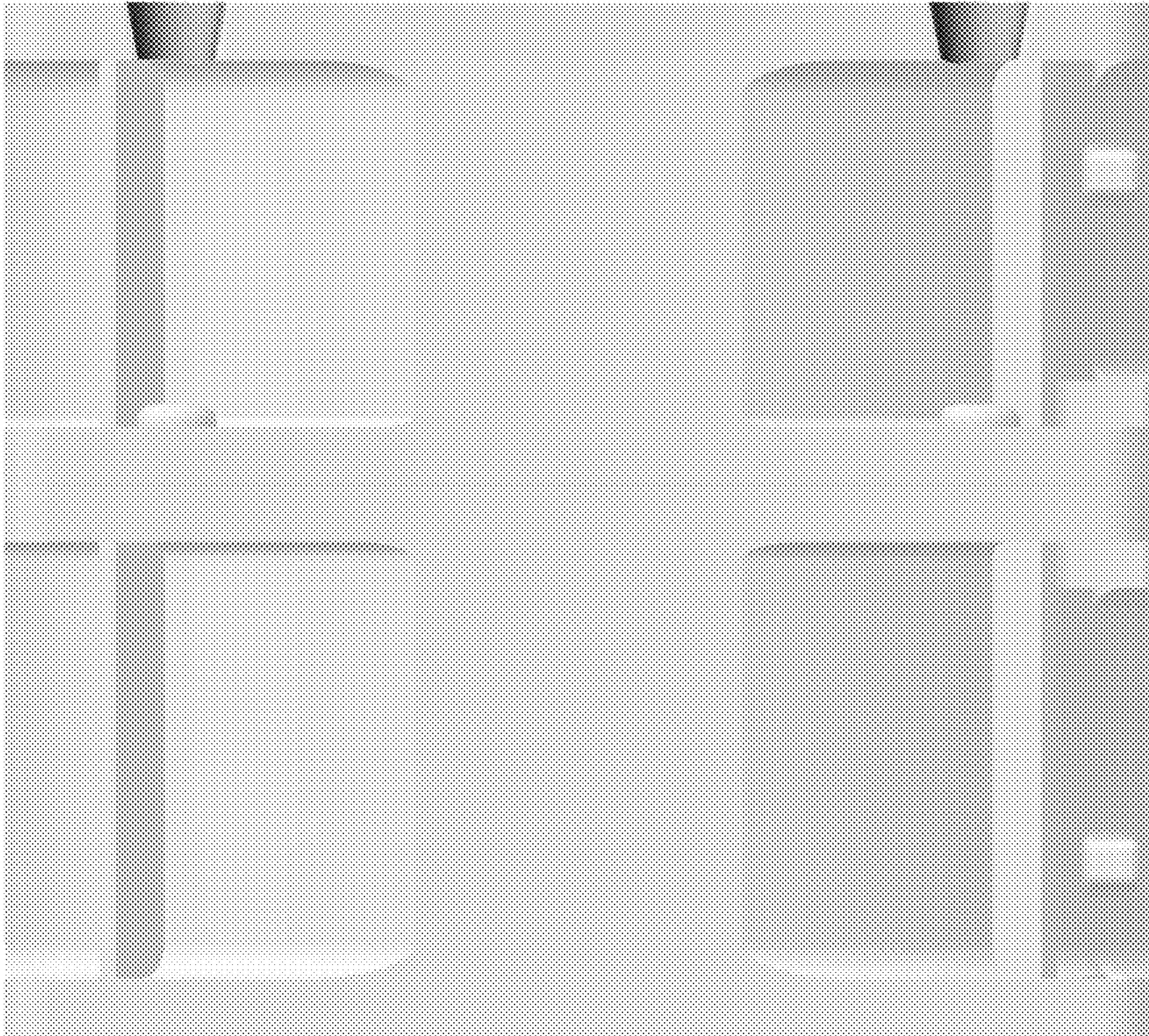


FIG. 43

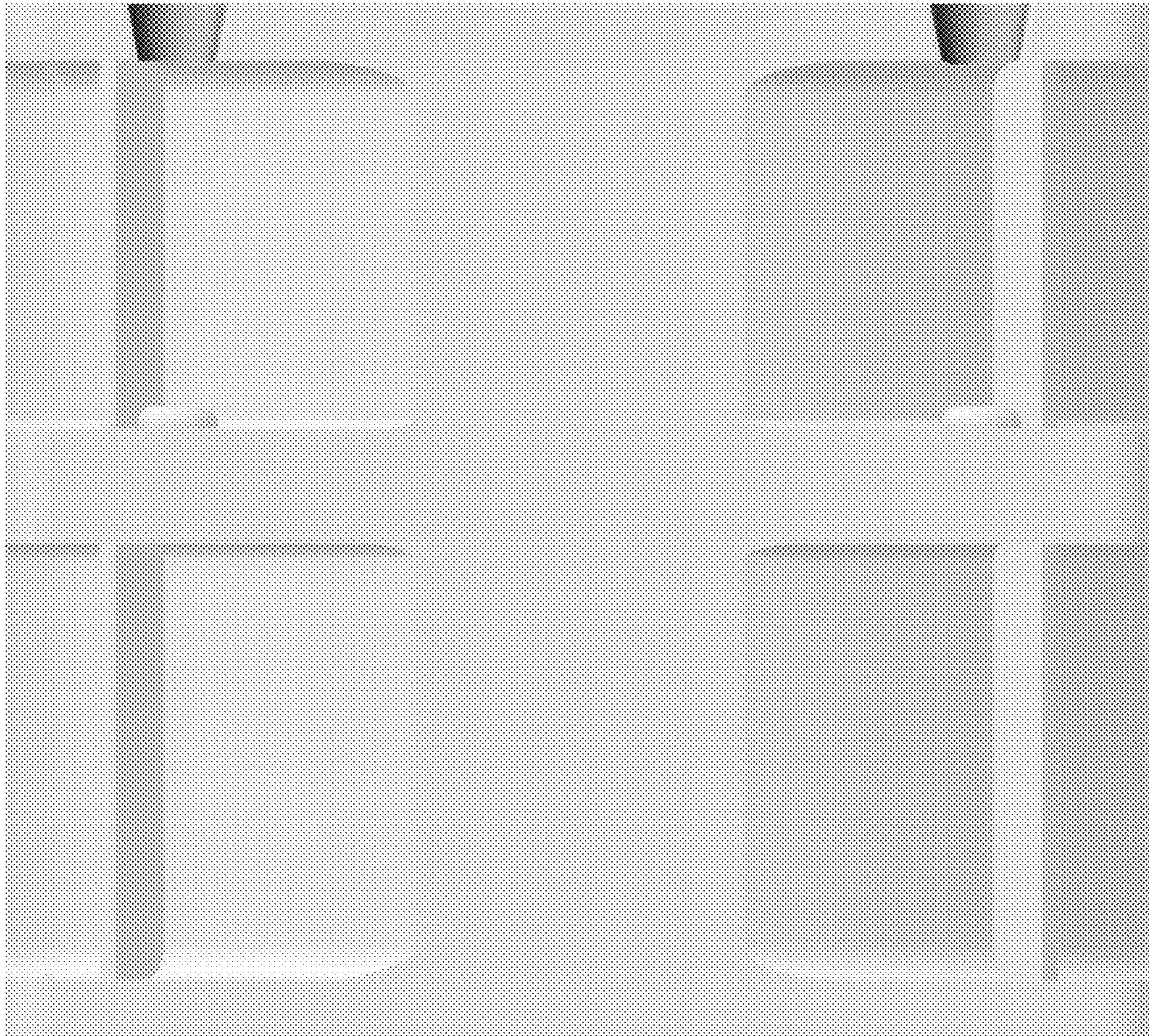


FIG. 44

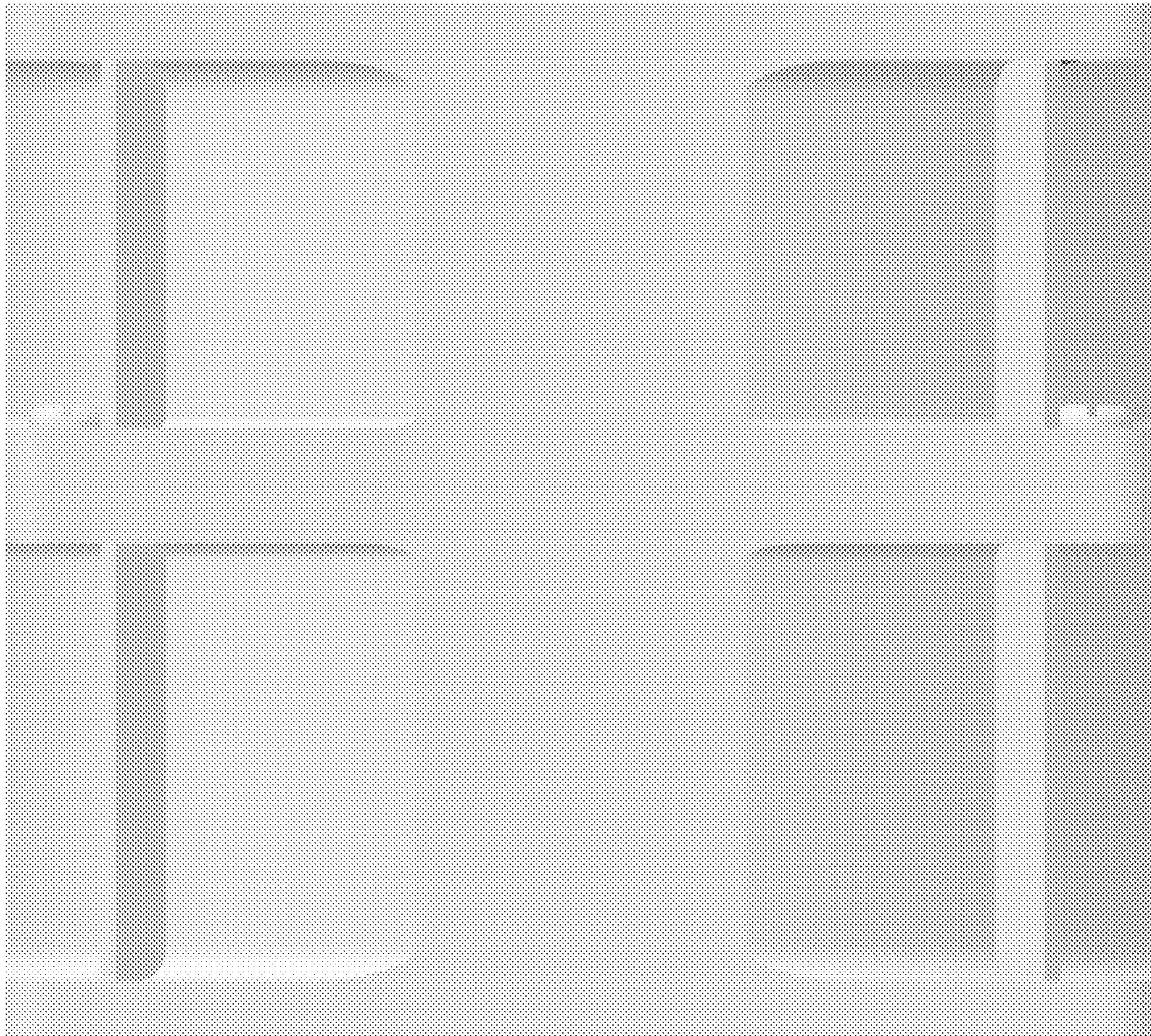


FIG. 45

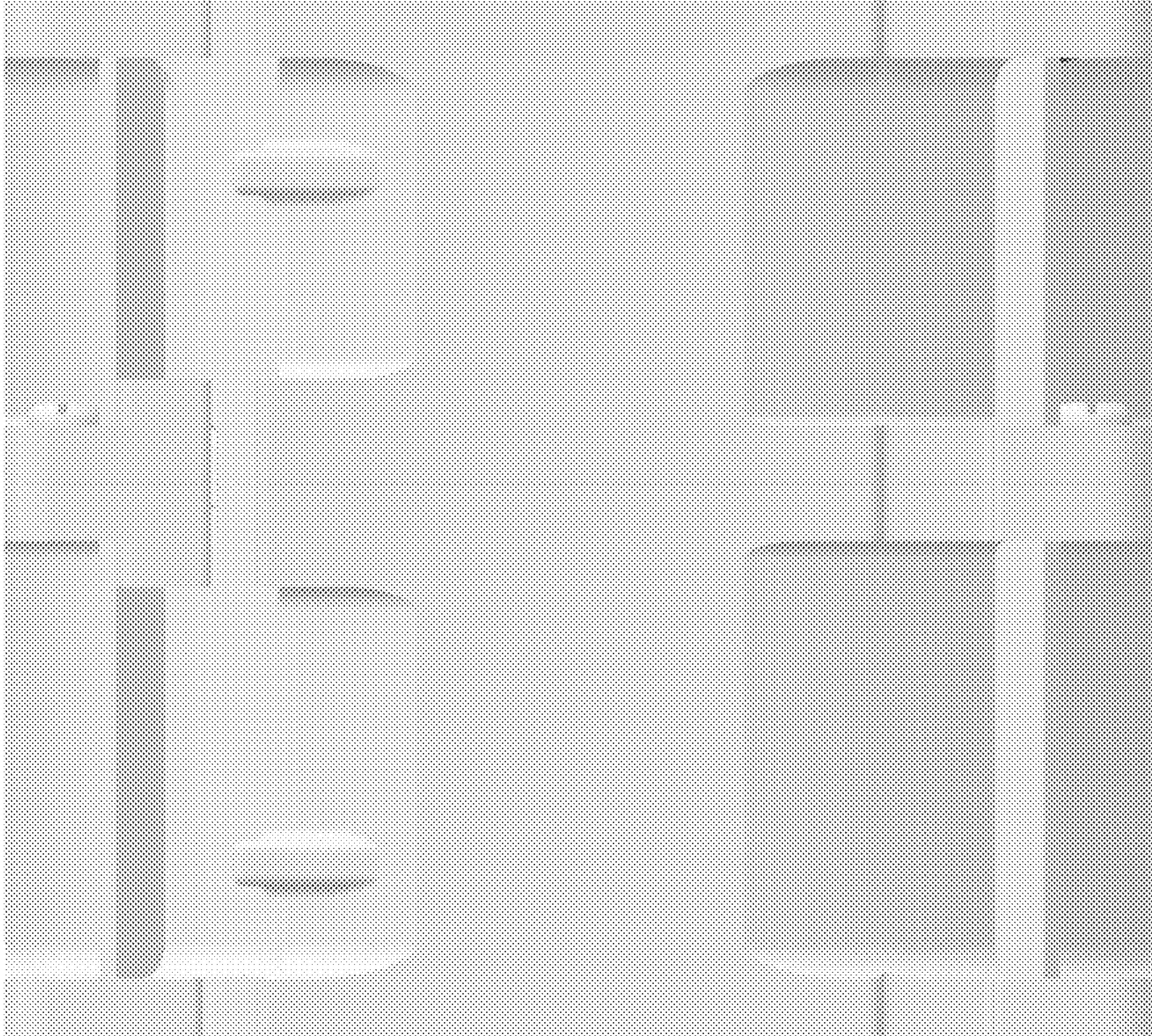


FIG. 46

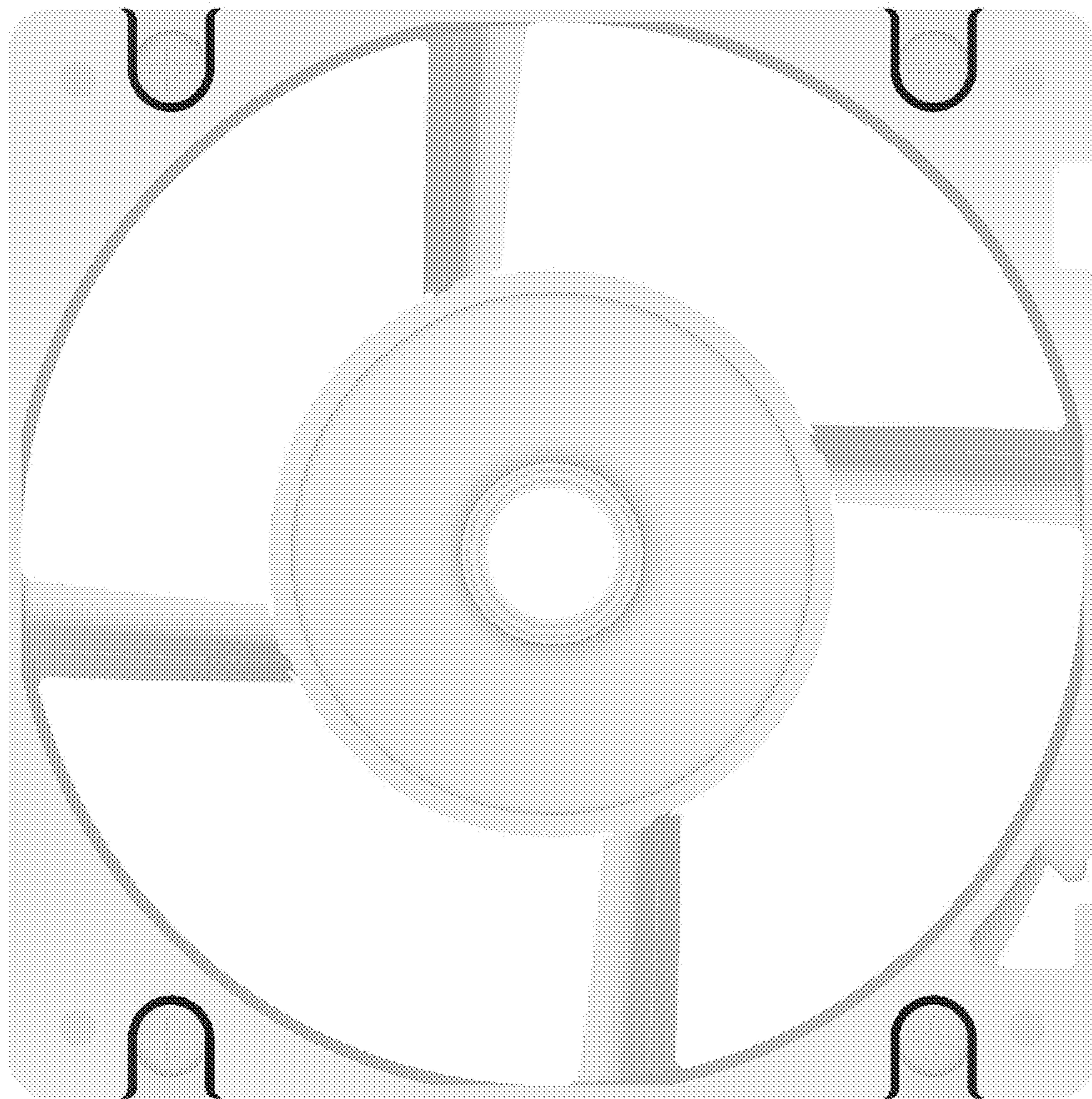


FIG. 47

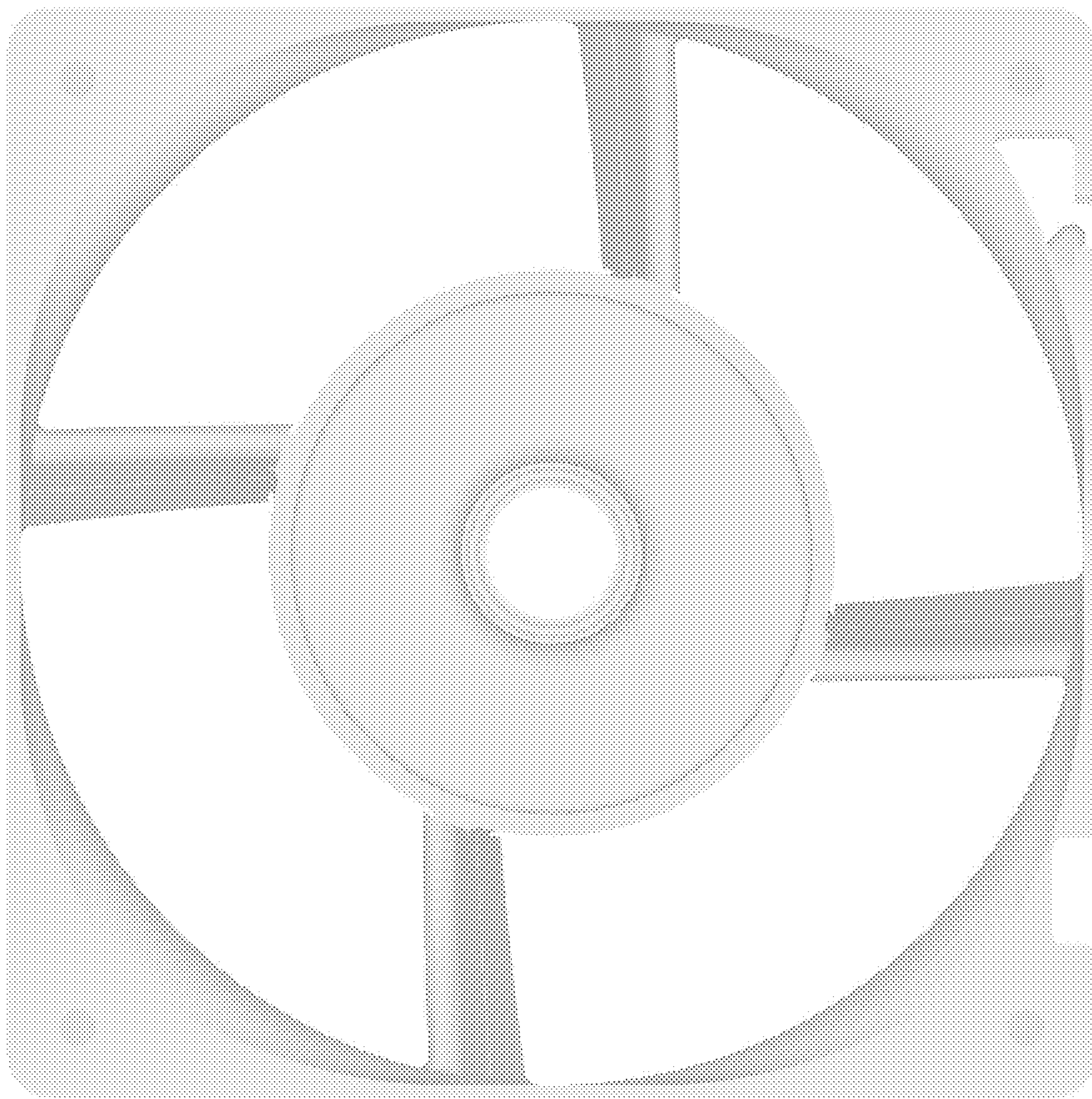


FIG. 48

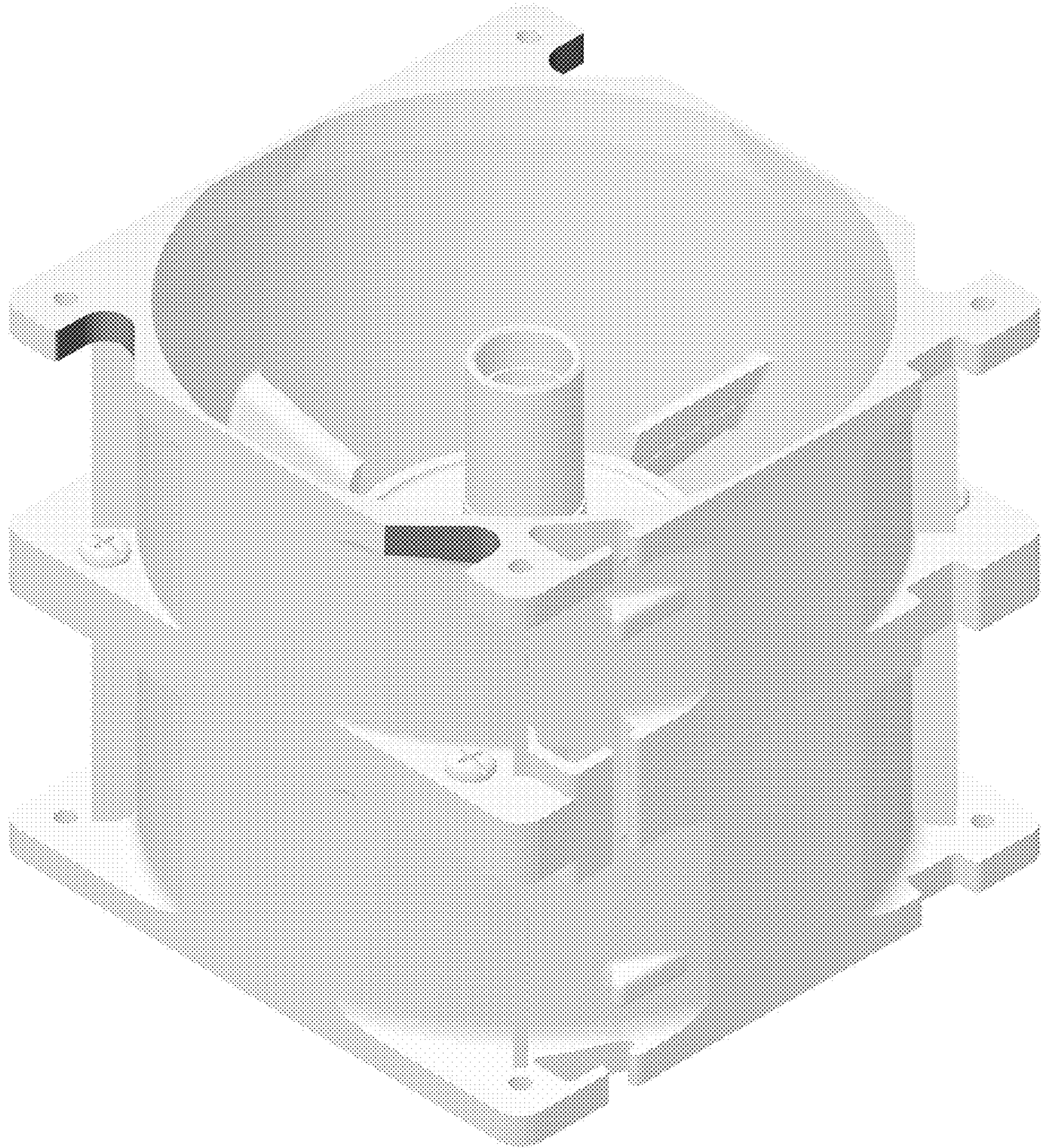


FIG. 49

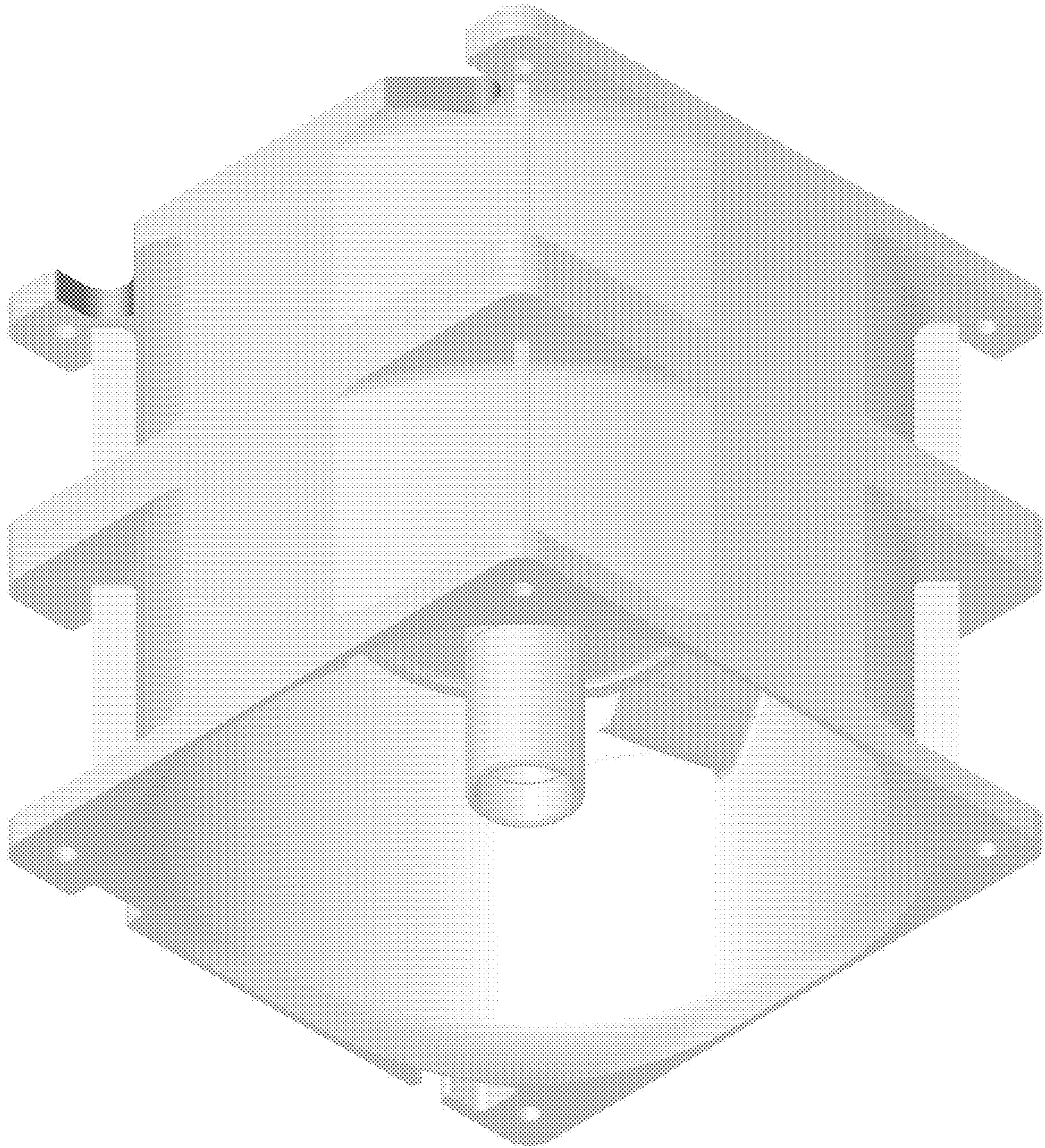


FIG. 50



FIG. 51



FIG. 52

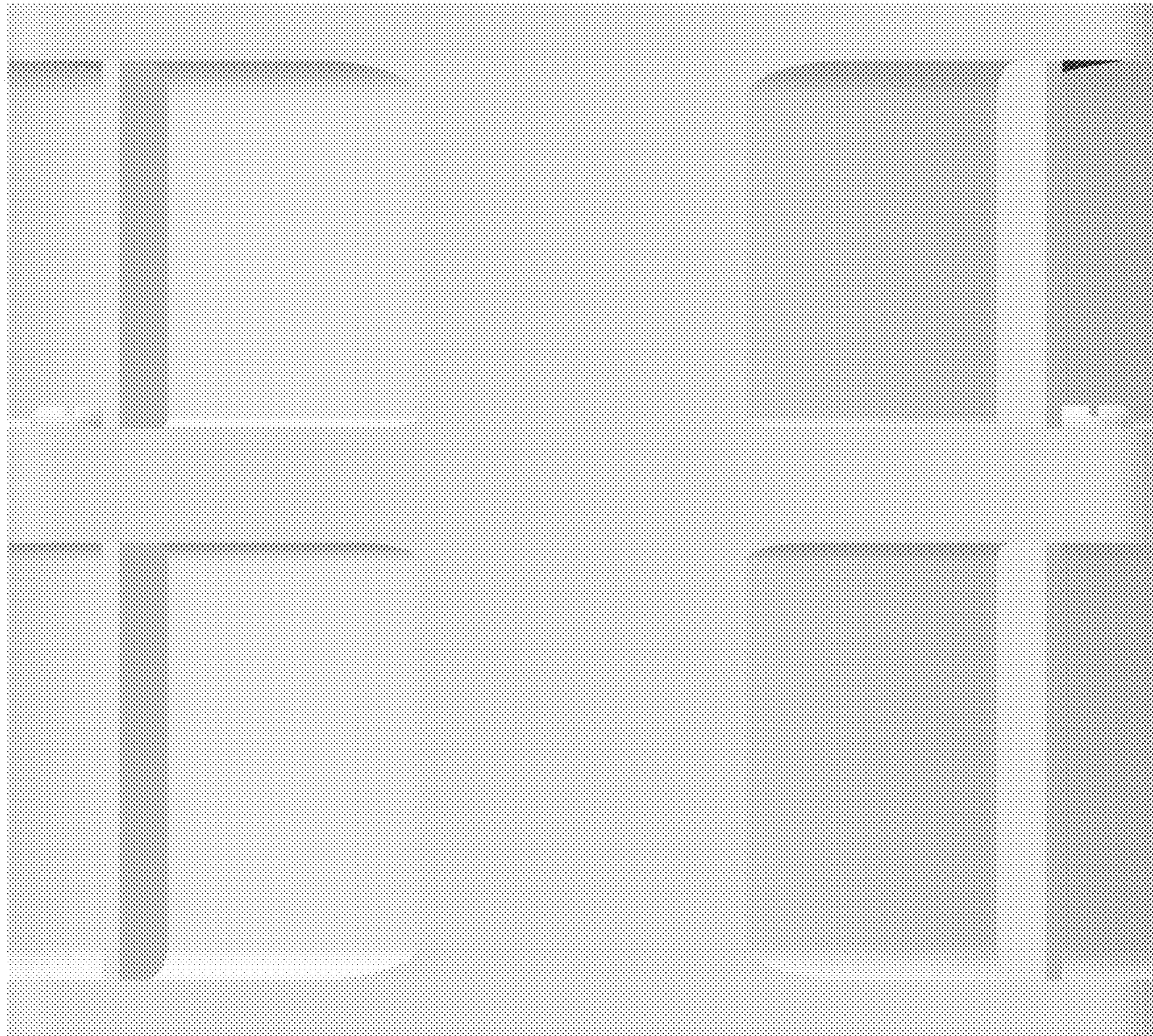


FIG. 53

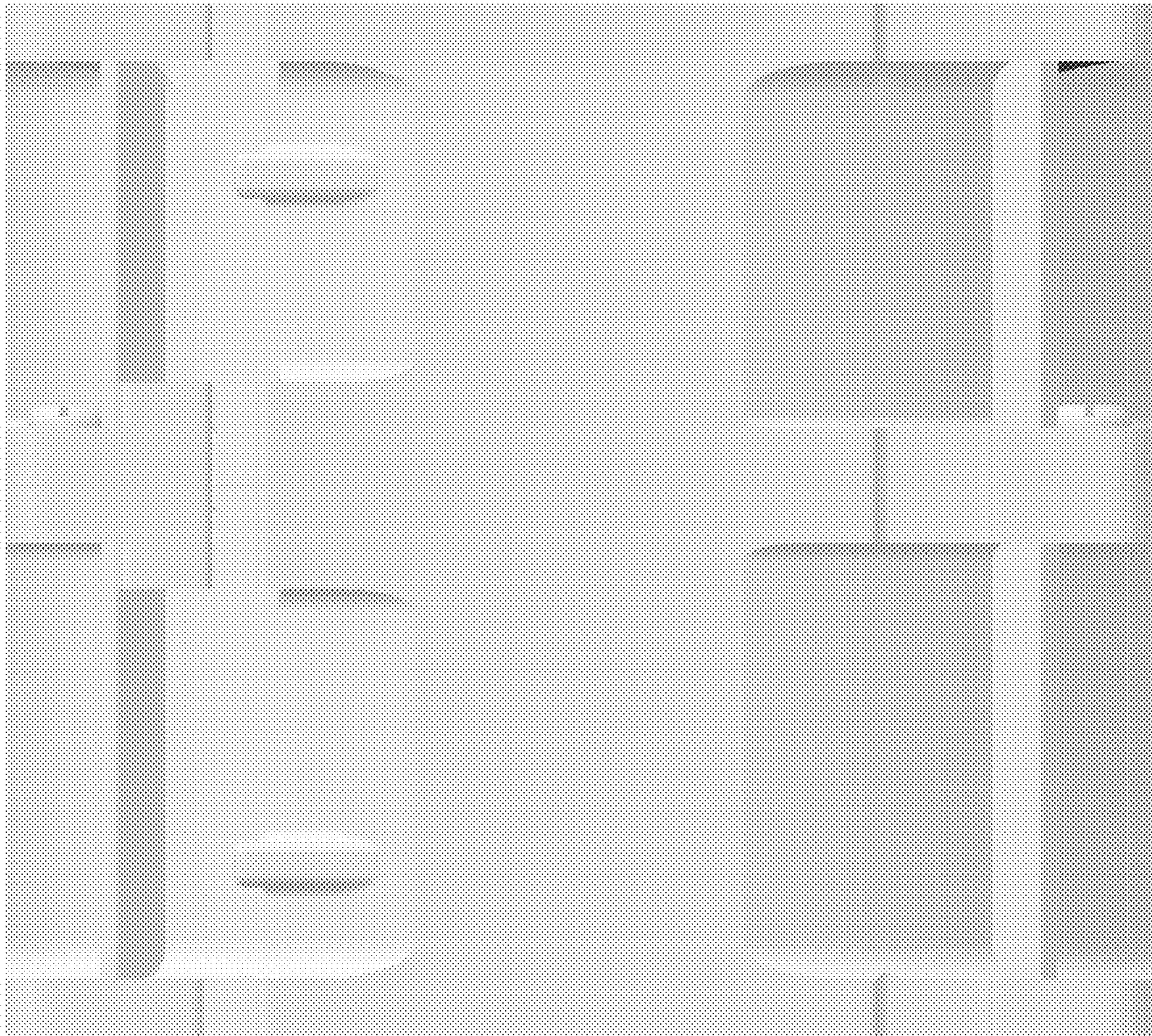


FIG. 54

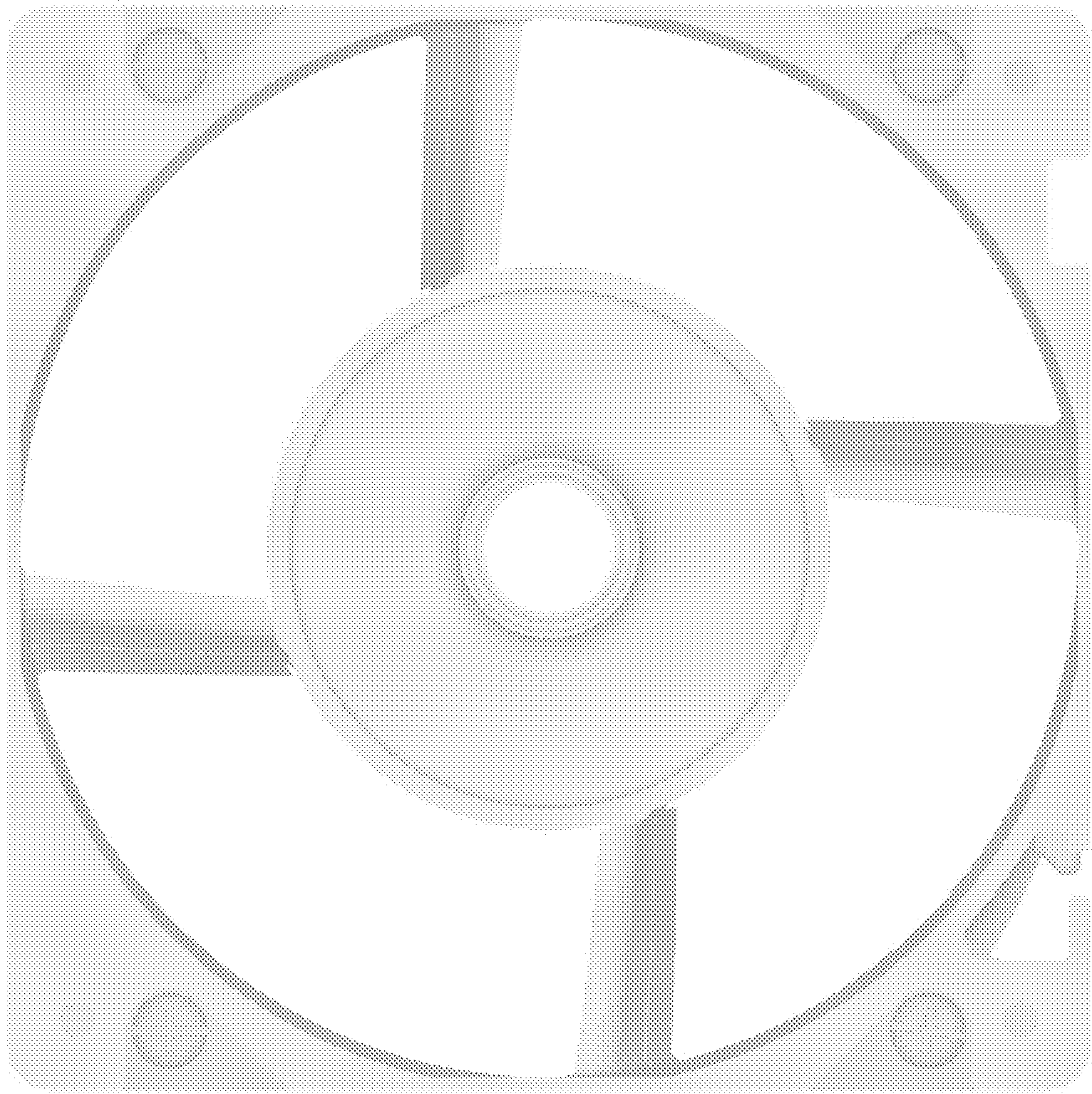


FIG. 55

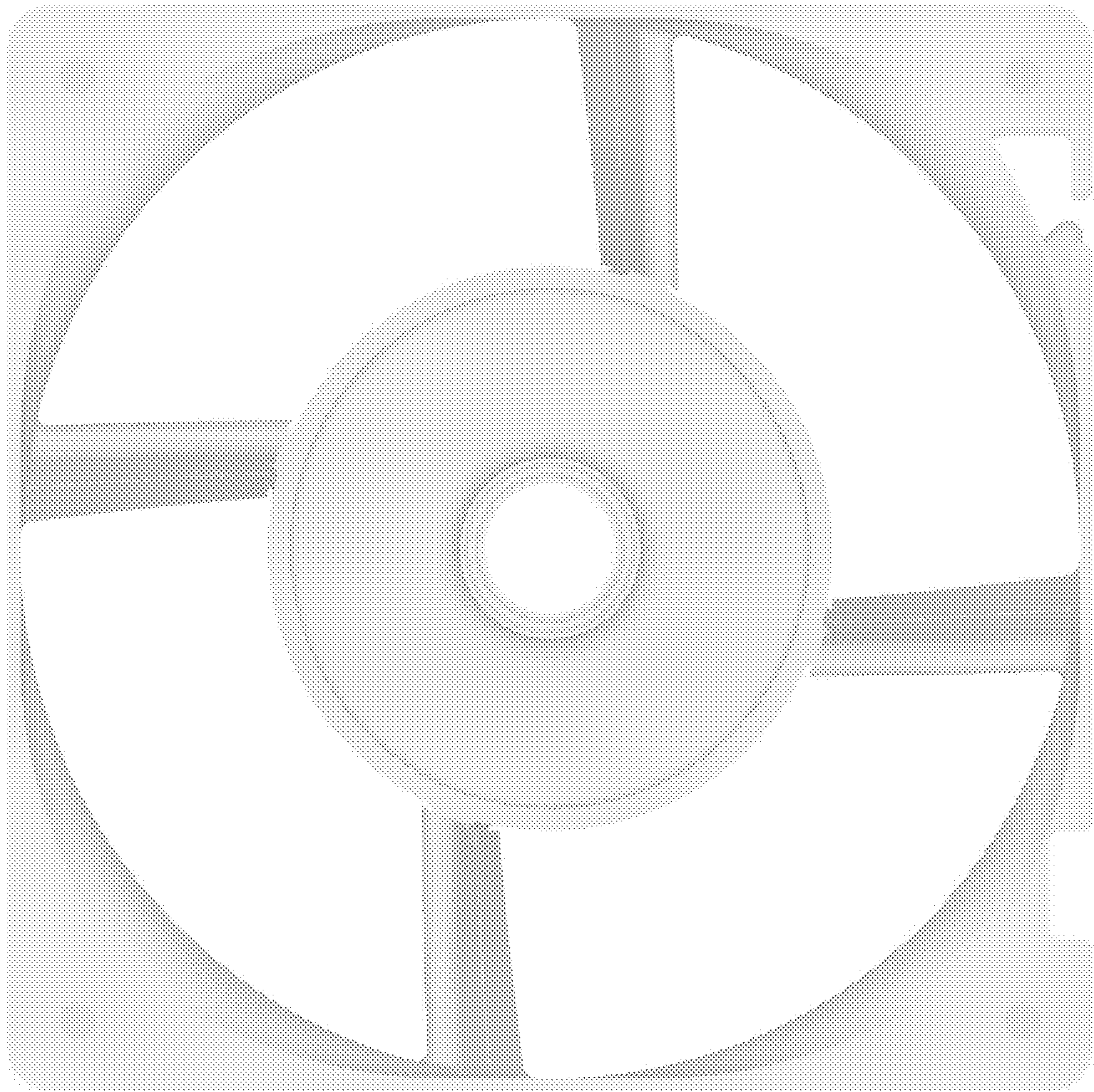


FIG. 56