

US00D972114S

(12) **United States Design Patent** (10) **Patent No.:** **US D972,114 S**
Robinson (45) **Date of Patent:** **** Dec. 6, 2022**

(54) **CEILING FAN**
(71) Applicant: **Beacon Lighting International Limited, Central (HK)**
(72) Inventor: **Glen Robinson, Central (HK)**
(**) Term: **15 Years**
(21) Appl. No.: **29/758,905**
(22) Filed: **Nov. 19, 2020**
(51) **LOC (13) Cl.** **23-04**
(52) **U.S. Cl.**
USPC **D23/377**
(58) **Field of Classification Search**
USPC D23/370, 377, 379, 385, 411-414;
D26/59, 88-89, 124
CPC F04D 25/088; F04D 29/38; F04D 29/384;
F04D 29/386; F21V 33/0096
See application file for complete search history.

(56) **References Cited**
U.S. PATENT DOCUMENTS

D612,476 S *	3/2010	Noble	D23/377
D614,757 S *	4/2010	Noble	D23/377
D675,720 S *	2/2013	Martin Conillas	D23/370
D690,409 S *	9/2013	Noble	D23/379
D716,436 S *	10/2014	Johnson	D26/59
D721,429 S *	1/2015	Busta	D23/377
D741,988 S *	10/2015	Pan	D23/377
D762,296 S *	7/2016	Badarello	D23/377
D770,027 S *	10/2016	Noble	D23/385
D798,433 S *	9/2017	Badarello	D23/413
D800,291 S *	10/2017	Wang	D23/385
D802,513 S *	11/2017	Xiao	D12/214
D808,004 S *	1/2018	Noble	D23/411
D835,251 S *	12/2018	Baek	D23/377
D842,447 S *	3/2019	Hornig	D23/377
D847,969 S *	5/2019	Noble	D23/411
D858,735 S *	9/2019	Wang	D23/377

D861,849 S *	10/2019	Hidalgo	D23/377
D872,251 S *	1/2020	Haggar	D23/377
D879,282 S *	3/2020	Noble	D23/377
D879,935 S *	3/2020	Busta	D23/385
D940,293 S *	1/2022	Yao	D23/377
D940,847 S *	1/2022	Wang	D23/377
D947,354 S *	3/2022	Quan	D23/377
2011/0165002 A1 *	7/2011	Noble	F04D 25/068 416/1
2013/0189109 A1 *	7/2013	Noble	F04D 29/34 416/219 R
2015/0110625 A1 *	4/2015	De Siqueira Indio Da Costa	F04D 25/088 416/62
2020/0063746 A1 *	2/2020	Botkin	F04D 29/34
2021/0048039 A1 *	2/2021	Allen	H02K 7/14
2021/0388844 A1 *	12/2021	Rhoades	F21V 33/0096

* cited by examiner

Primary Examiner — Sharon S Oum

(74) *Attorney, Agent, or Firm* — Rumit Ranjit Kanakia

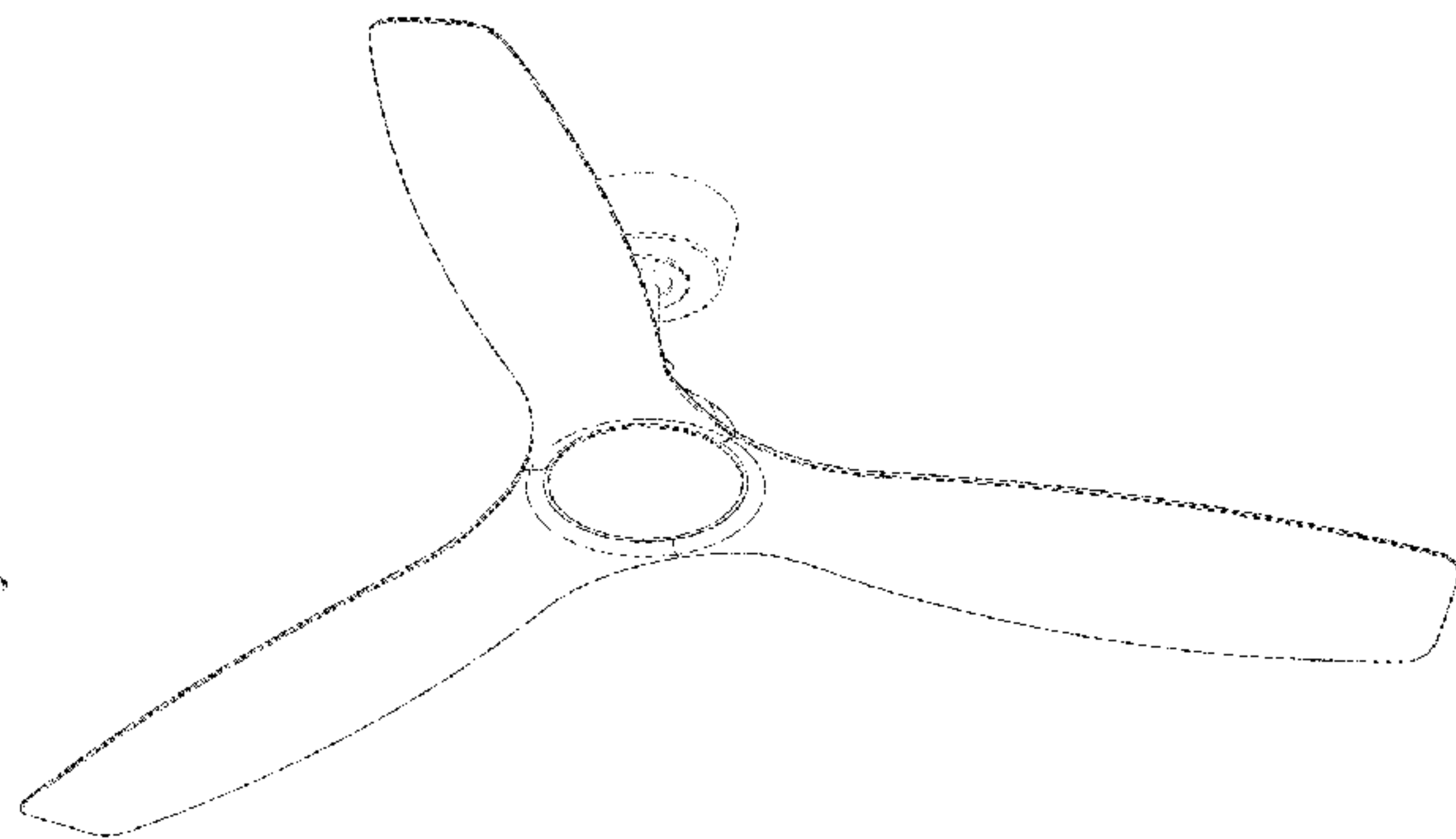
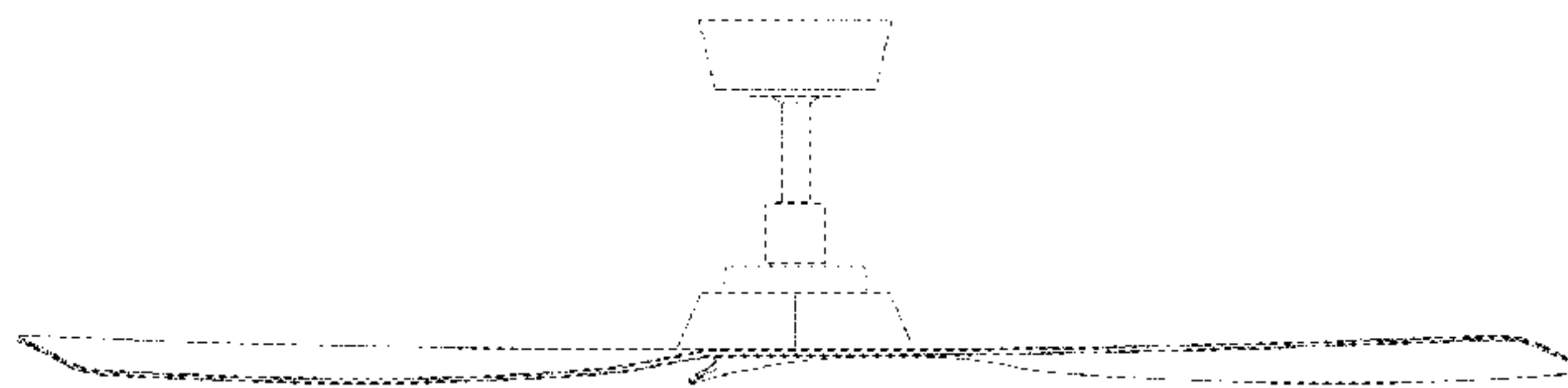
(57) **CLAIM**

The ornamental design for a ceiling fan, as shown and described.

DESCRIPTION

FIG. 1 is a front view of a ceiling fan showing my new design;
FIG. 2 is a rear view thereof;
FIG. 3 is a left side view thereof;
FIG. 4 is a right side view thereof;
FIG. 5 is a top plan view thereof;
FIG. 6 is a bottom plan view thereof;
FIG. 7 is a perspective view from bottom side thereof; and,
FIG. 8 is a perspective view from top side thereof.
The broken lines in the drawings depict portions of the ceiling fan that form no part of the claimed design.

1 Claim, 8 Drawing Sheets



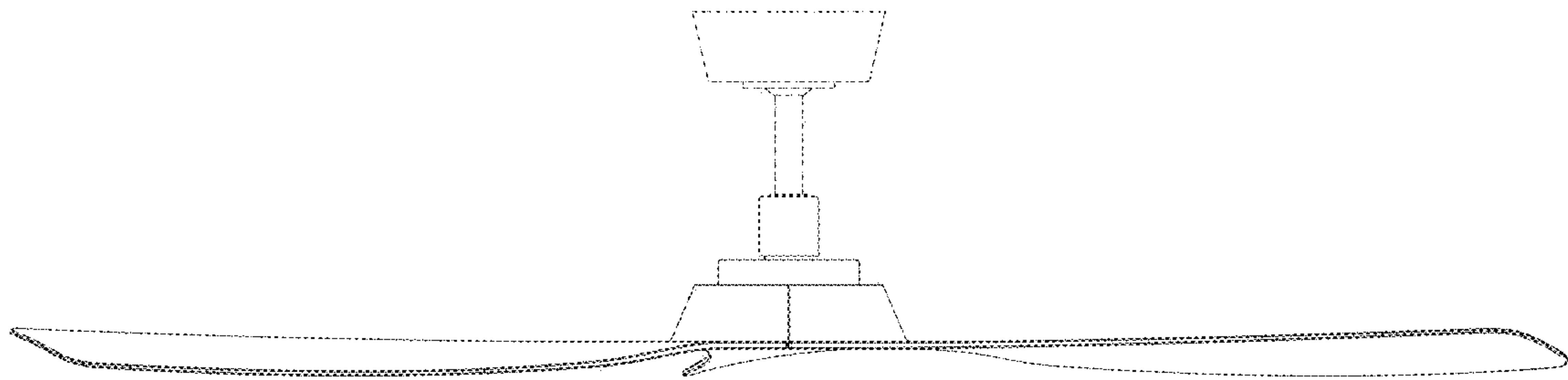


Fig. 1

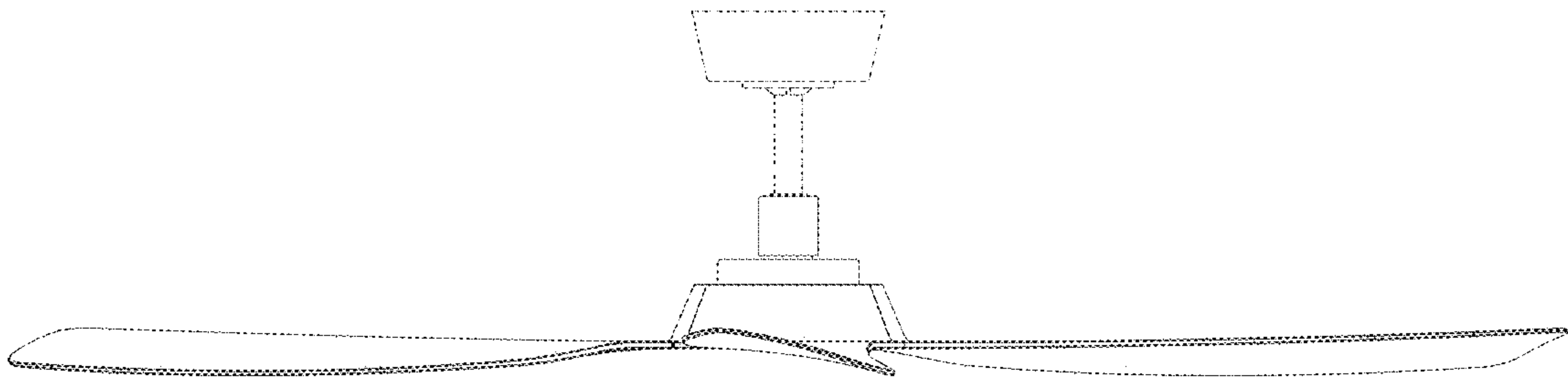


Fig. 2

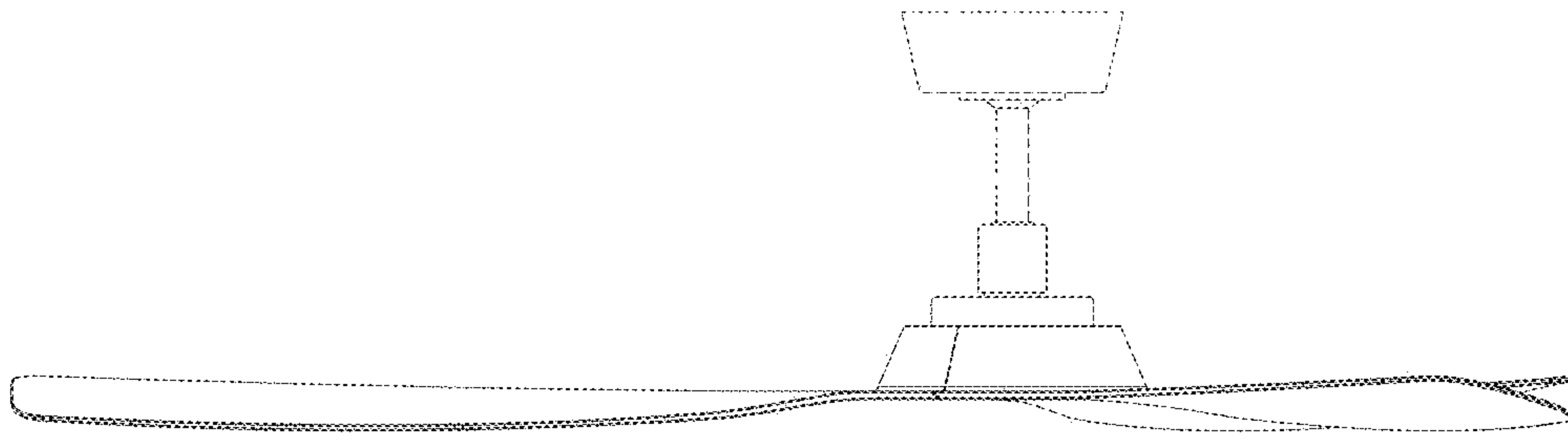


Fig. 3

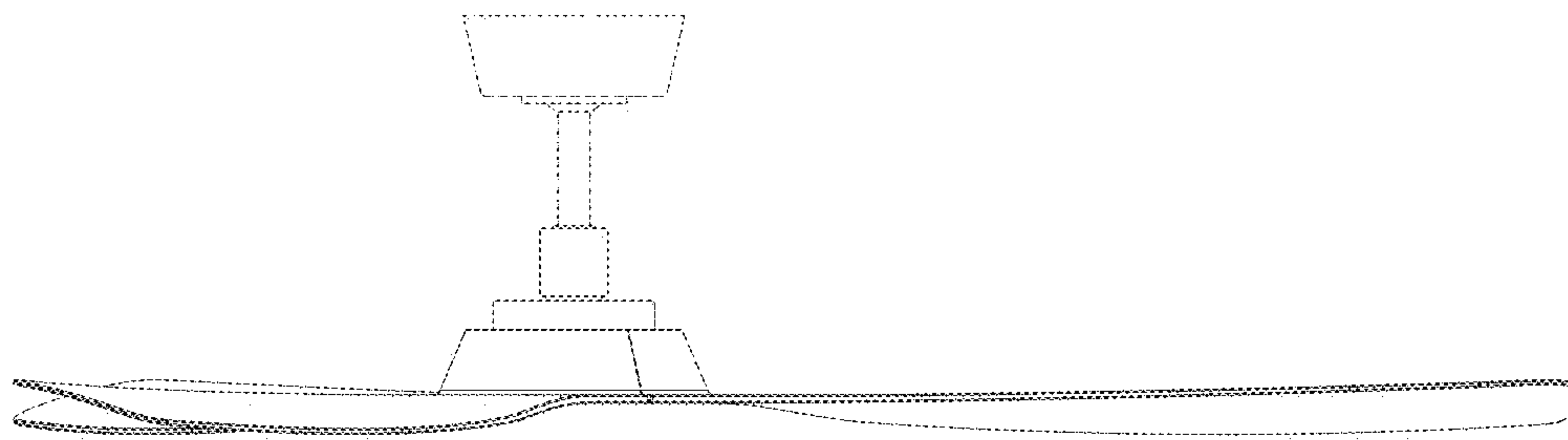


Fig. 4

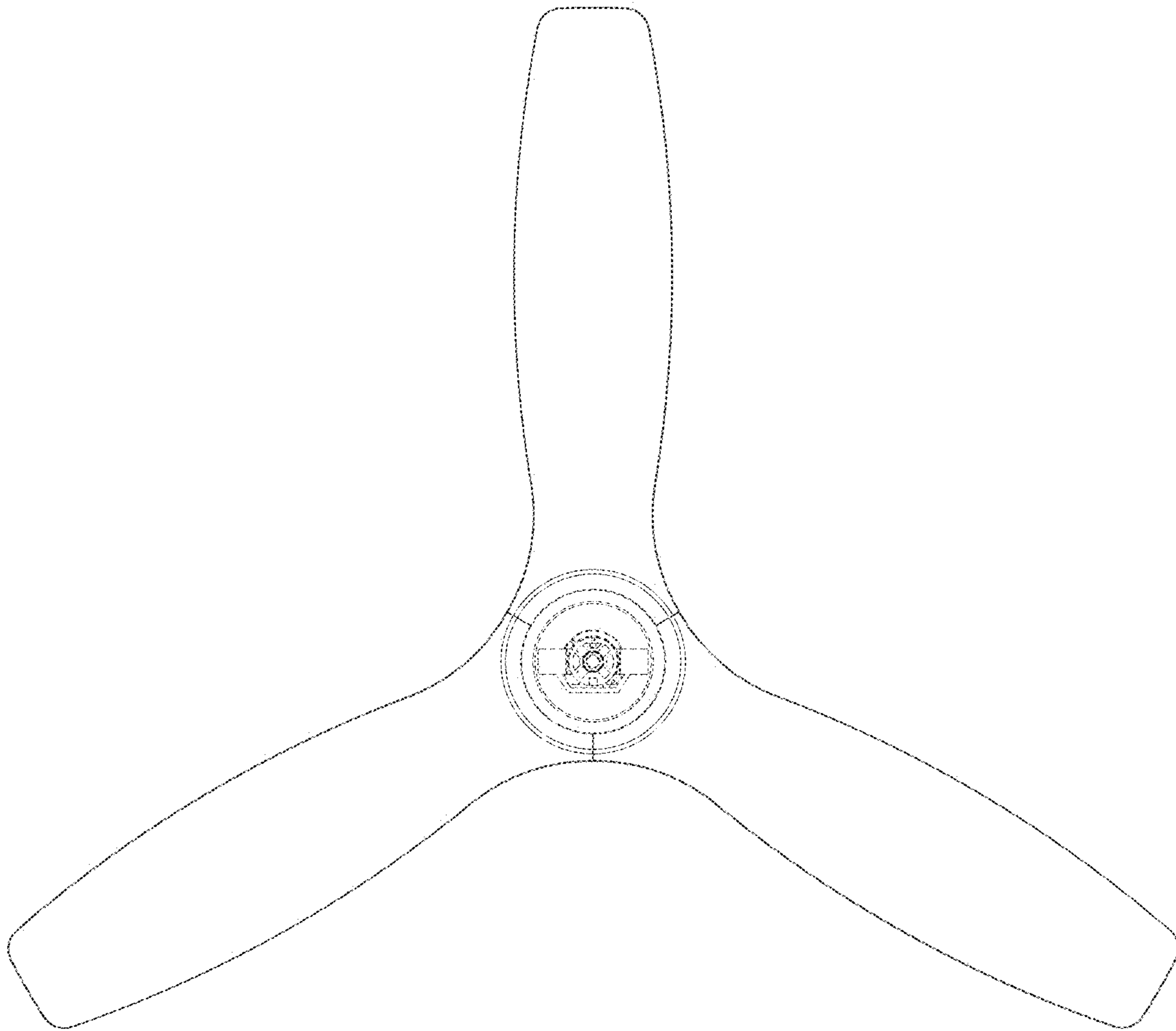


Fig. 5

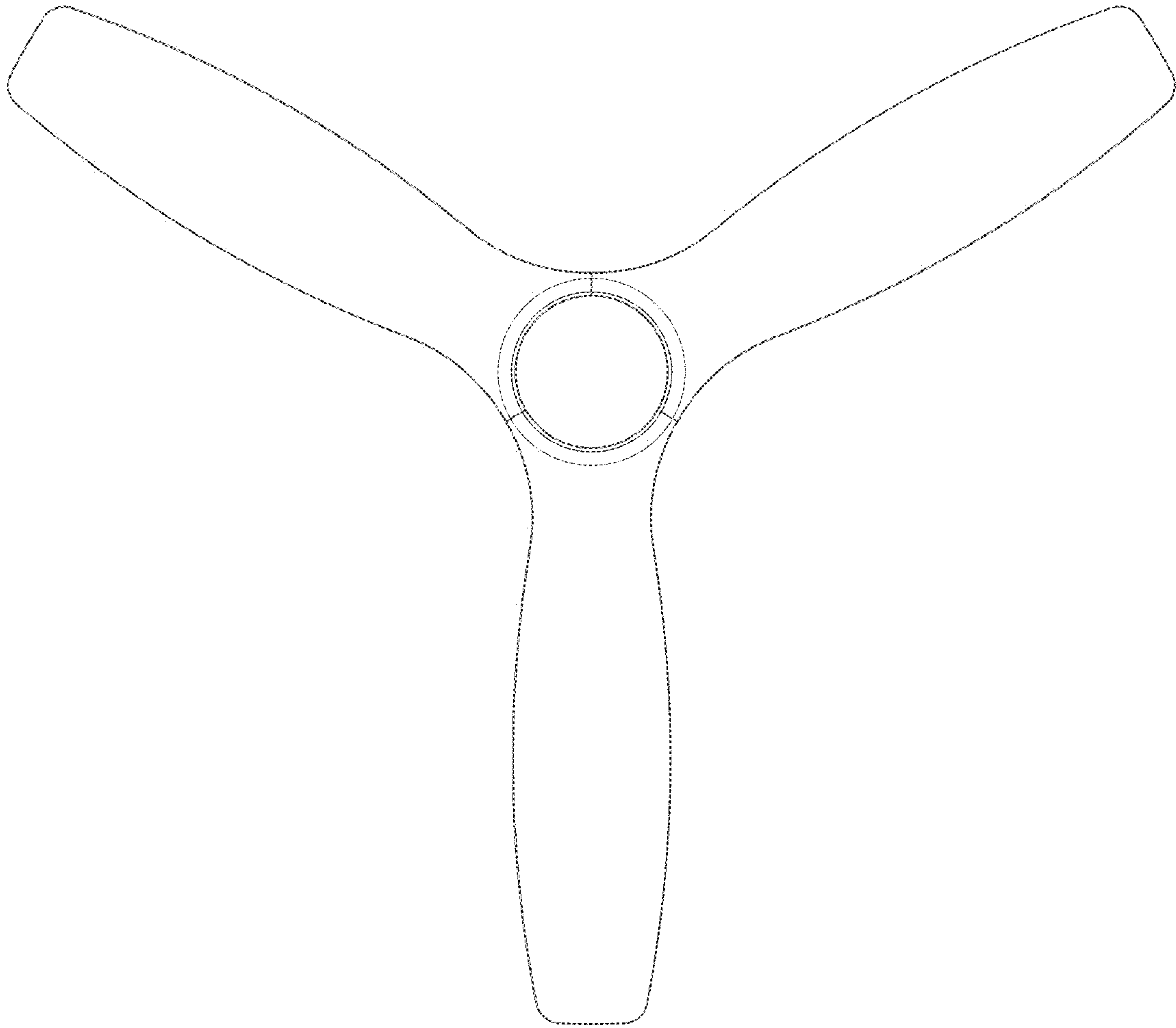


Fig. 6

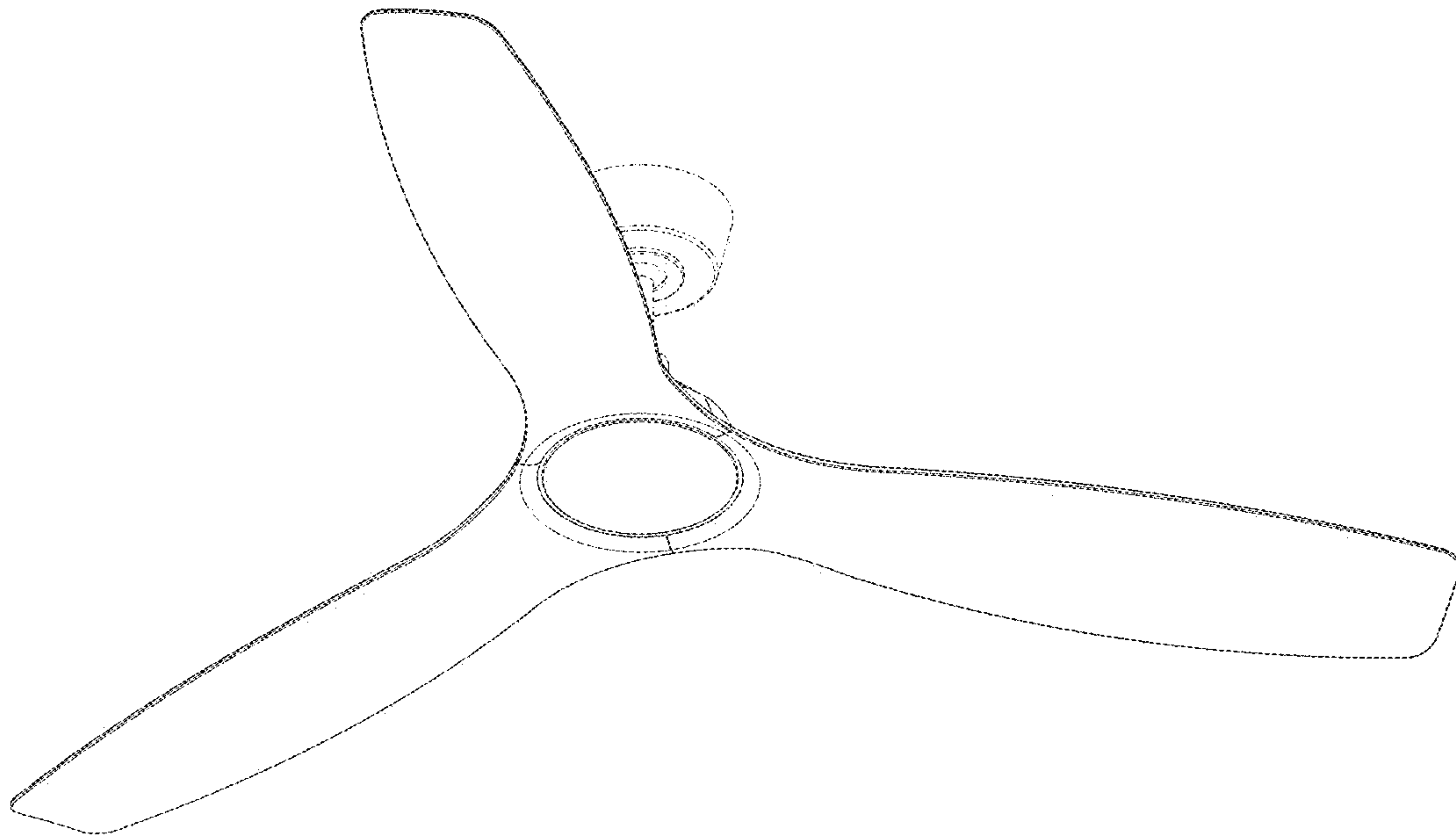


Fig. 7

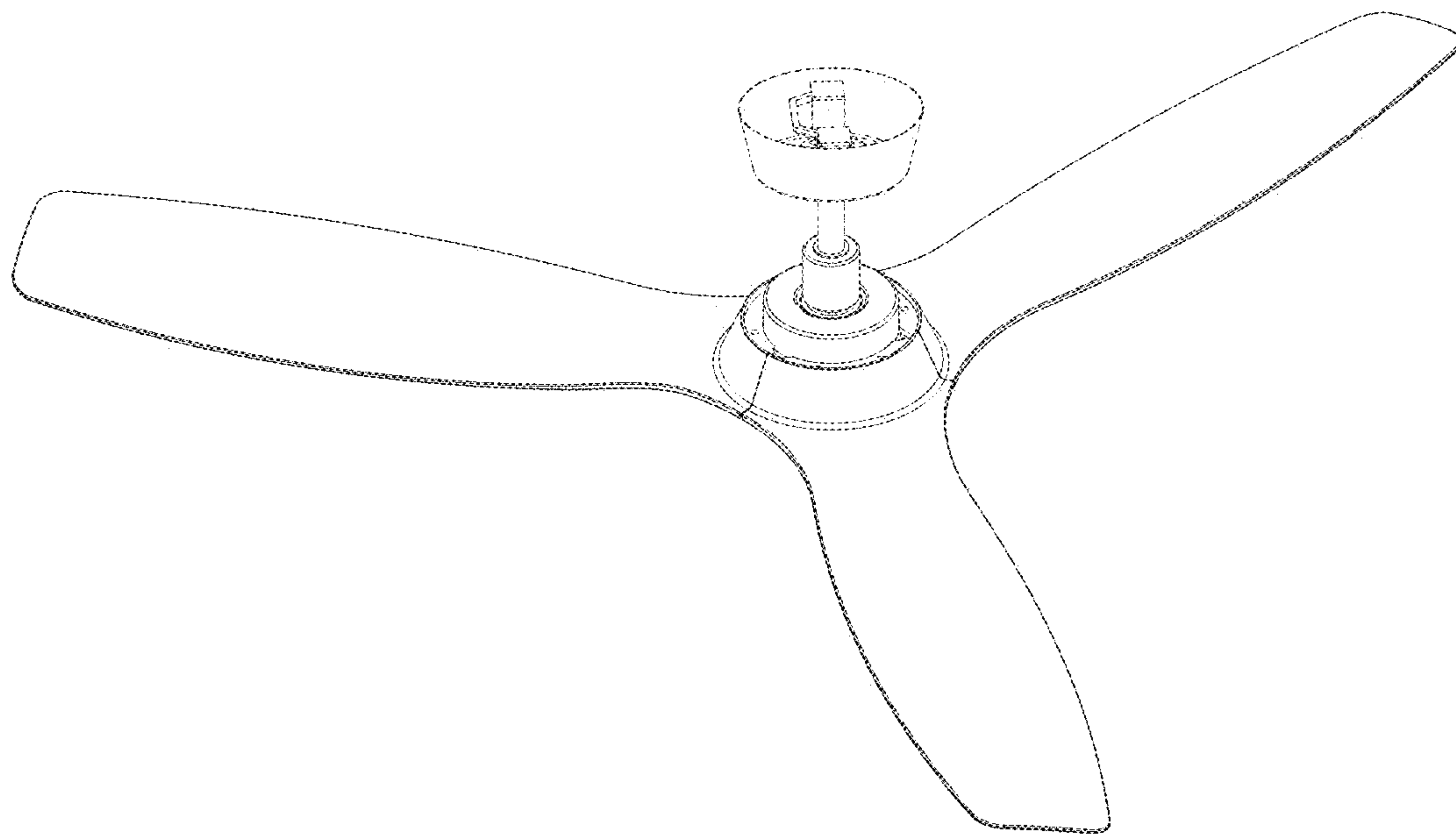


Fig. 8