



US00D972112S

(12) **United States Design Patent** (10) **Patent No.:** **US D972,112 S**
Robinson (45) **Date of Patent:** **** Dec. 6, 2022**

(54) **CEILING FAN**
(71) Applicant: **Beacon Lighting International Limited, Central (HK)**
(72) Inventor: **Glen Robinson, Central (HK)**
(**) Term: **15 Years**
(21) Appl. No.: **29/758,902**
(22) Filed: **Nov. 19, 2020**
(51) **LOC (13) Cl.** **23-04**
(52) **U.S. Cl.**
USPC **D23/377**
(58) **Field of Classification Search**
USPC D23/370, 377, 379, 385, 411-414;
D26/59, 88-89, 124
CPC F04D 25/088; F04D 29/38; F04D 29/384;
F04D 29/386; F21V 33/0096
See application file for complete search history.

2010/0202882 A1* 8/2010 Liu F04D 29/362
416/214 R
2011/0280711 A1* 11/2011 Liu F04D 29/36
415/140
2011/0318202 A1* 12/2011 Care F04D 25/088
417/410.1
2012/0045331 A1* 2/2012 Vilella F21V 33/0096
416/5
2015/0276207 A1* 10/2015 Liu F21V 33/0096
416/5
2018/0258946 A1* 9/2018 Zhou F04D 25/088
2020/0362878 A1* 11/2020 Li F04D 19/002
2020/0378393 A1* 12/2020 Zhou F04D 29/366
2021/0115938 A1* 4/2021 Chen F21V 33/0096

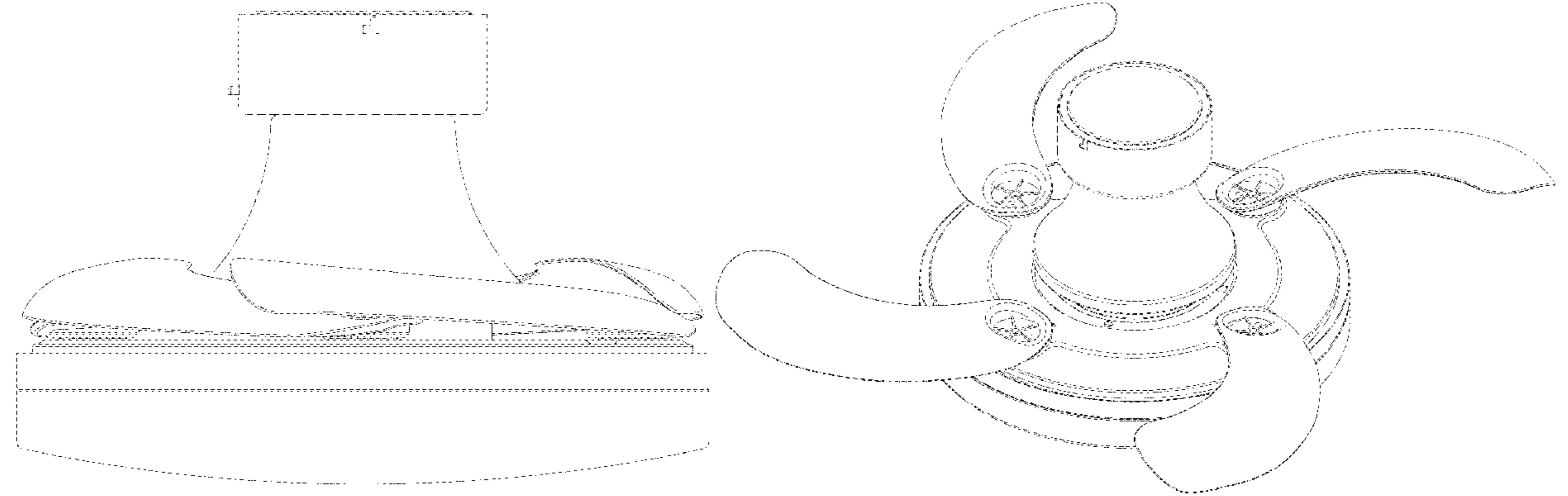
* cited by examiner
Primary Examiner — Sharon S Oum
(74) *Attorney, Agent, or Firm* — Rमित Ranjit Kanakia

(57) **CLAIM**
The ornamental design for a ceiling fan, as shown and described.

(56) **References Cited**
U.S. PATENT DOCUMENTS
D383,528 S * 9/1997 Collmar D23/385
D625,403 S * 10/2010 Liu D23/377
D631,955 S * 2/2011 Vilella D23/411
8,790,085 B2* 7/2014 Vilella F21V 33/0096
416/223 R
8,807,938 B2* 8/2014 Vilella F04D 25/088
416/143
D899,579 S * 10/2020 Sifeng D26/59
10,935,043 B1* 3/2021 Liu F04D 29/362
2006/0140769 A1* 6/2006 Frampton F04D 25/088
416/210 R
2008/0226449 A1* 9/2008 Vilella F21V 33/0096
416/87
2008/0286105 A1* 11/2008 Gajewski F24F 7/007
416/155

DESCRIPTION
FIG. 1 is a front view of a ceiling fan showing my new design;
FIG. 2 is a rear view thereof;
FIG. 3 is a left side view thereof;
FIG. 4 is a right side view thereof;
FIG. 5 is a top plan view thereof;
FIG. 6 is a bottom plan view thereof;
FIG. 7 is a perspective view from top side thereof; and,
FIG. 8 is another perspective view thereof, shown in an alternate position of use.
The broken lines in the drawings depict portions of the ceiling fan that form no part of the claimed design.

1 Claim, 8 Drawing Sheets



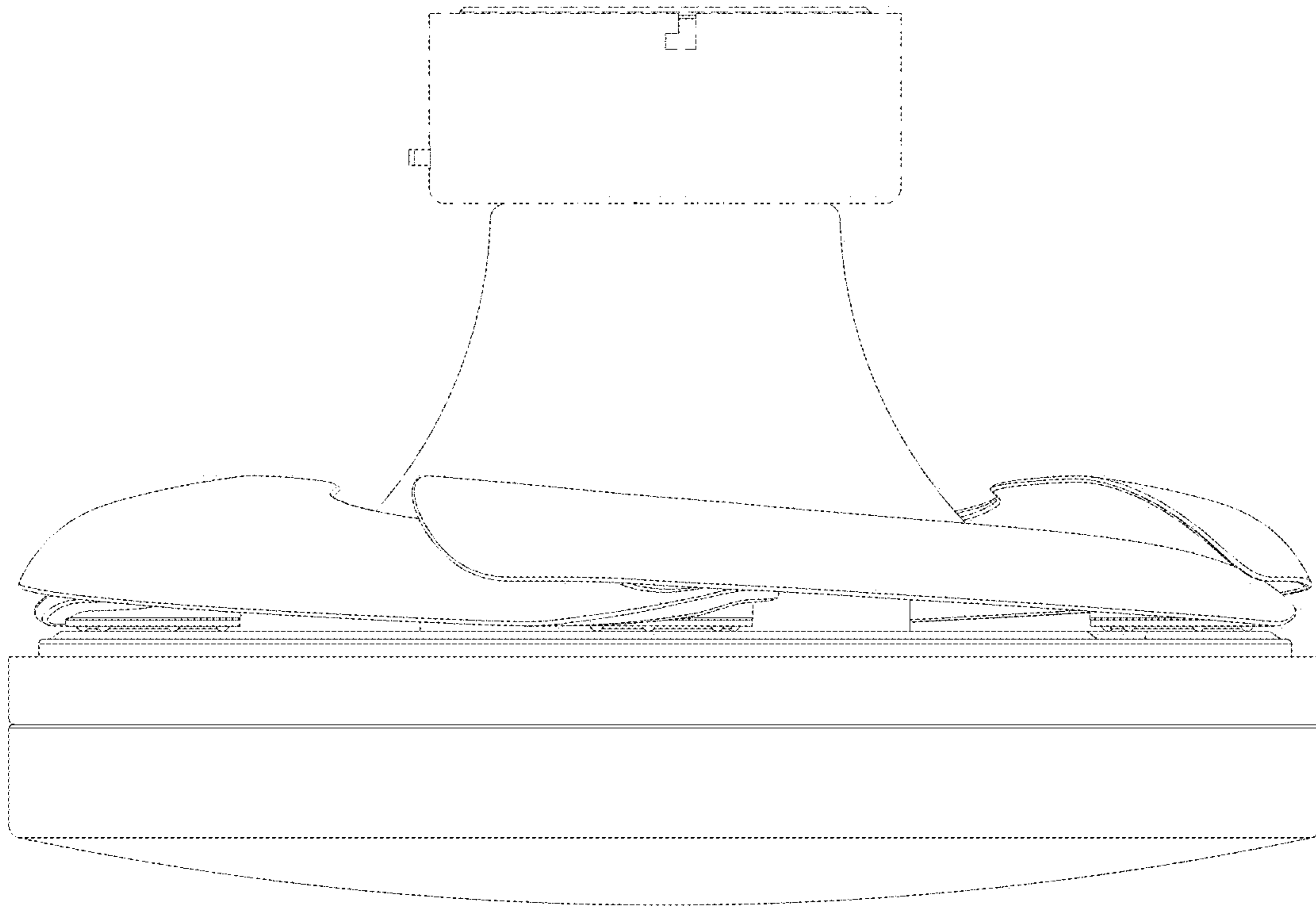


FIG. 1

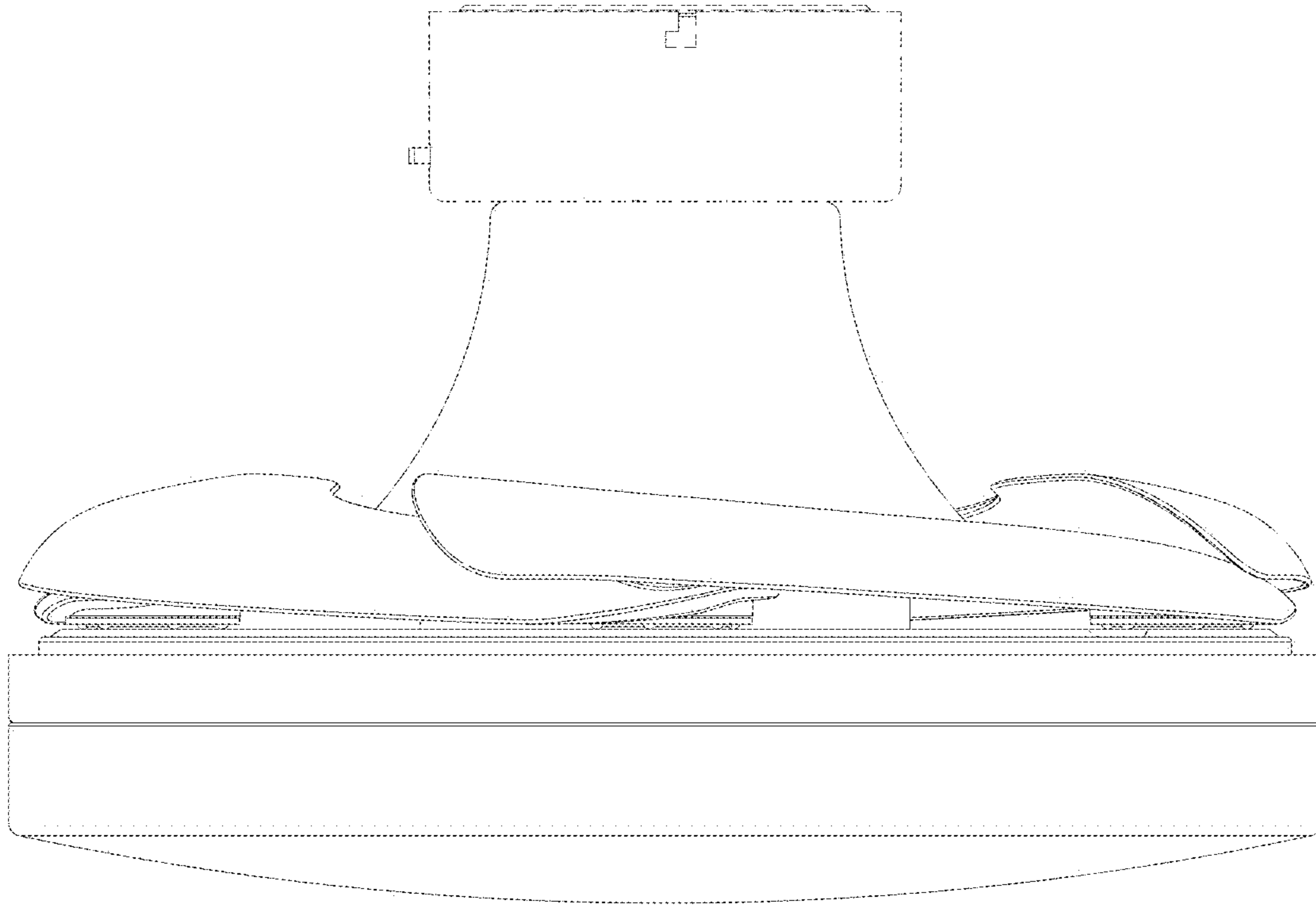


FIG. 2

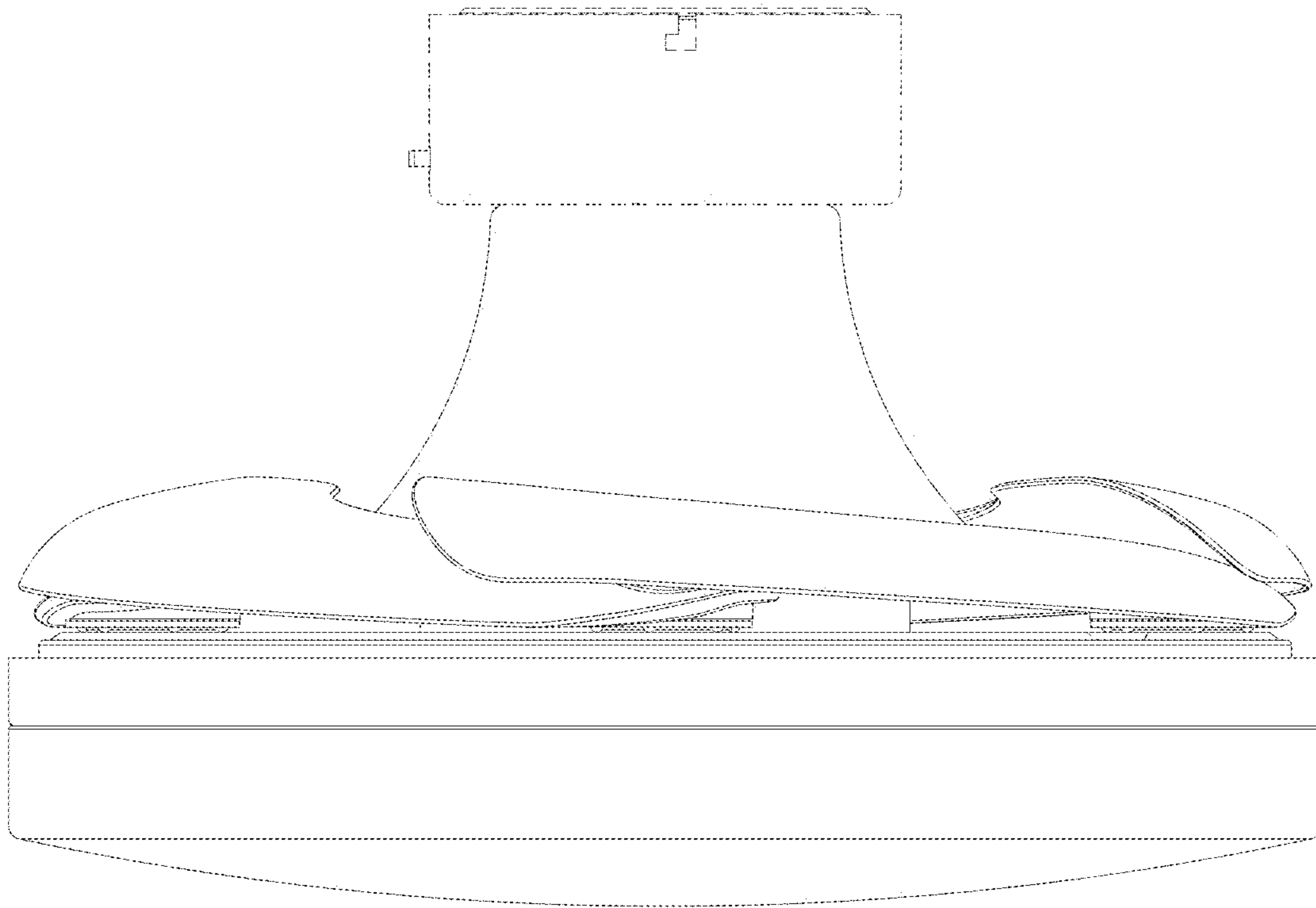


FIG. 3

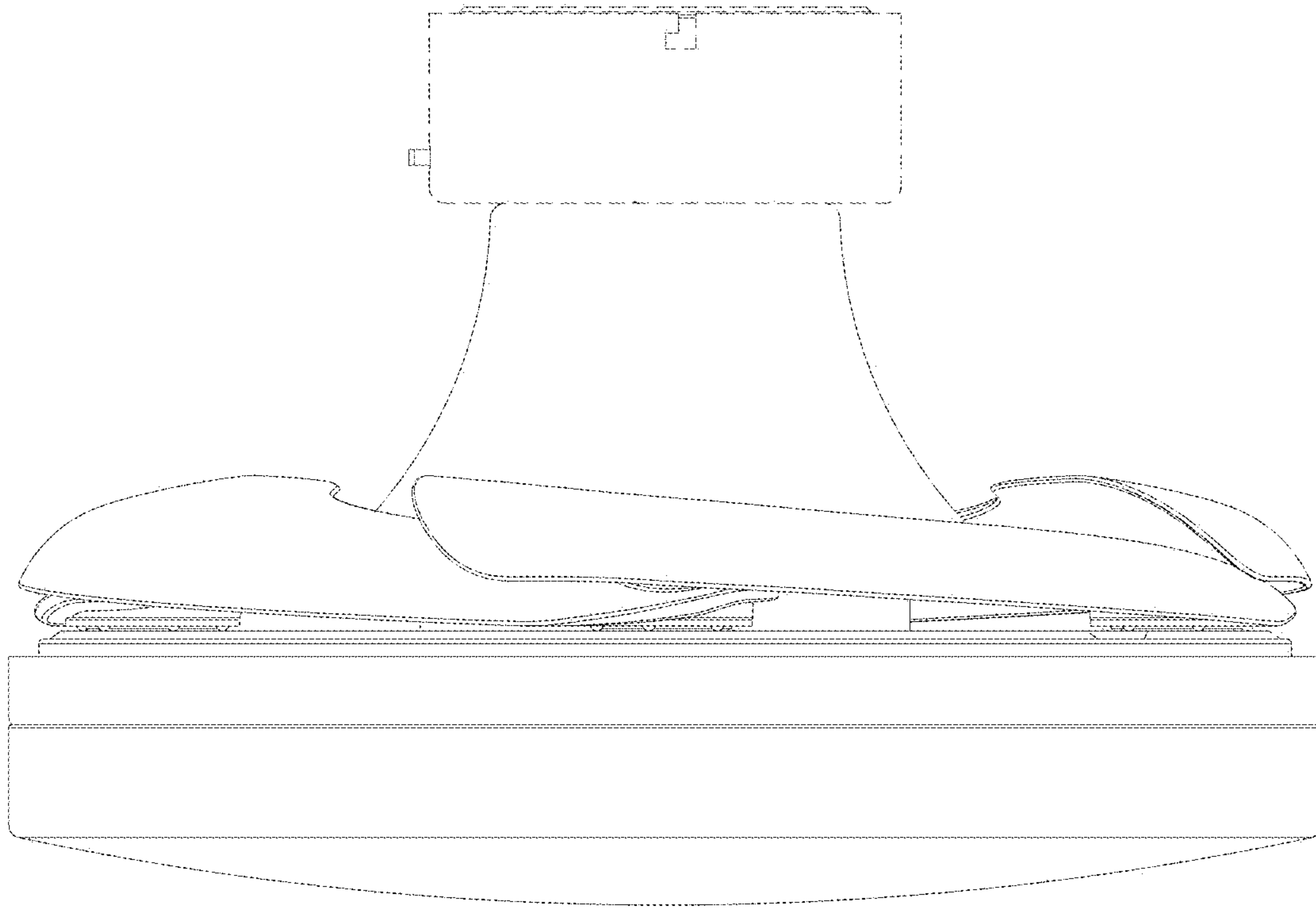


FIG. 4

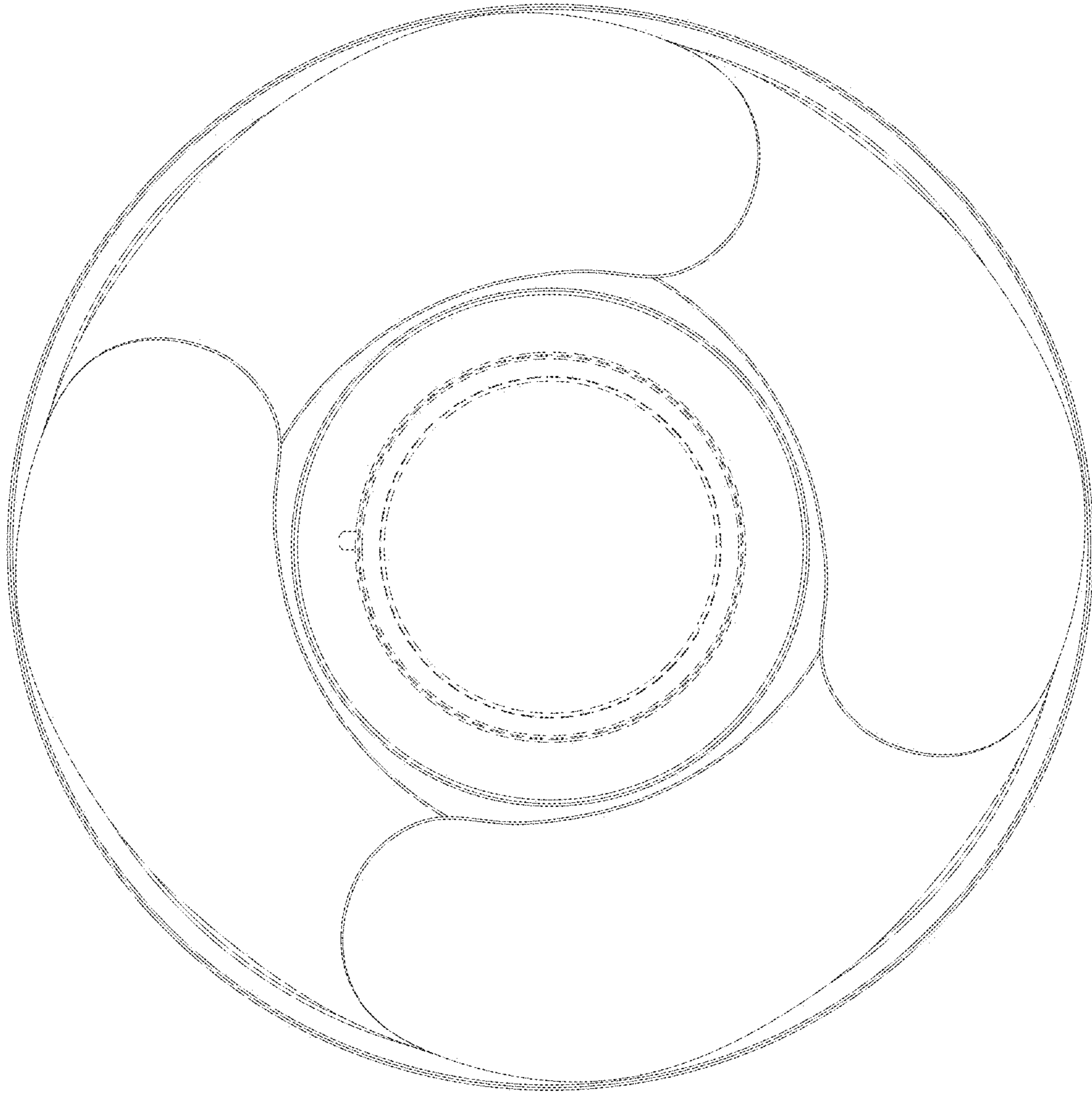


FIG. 5

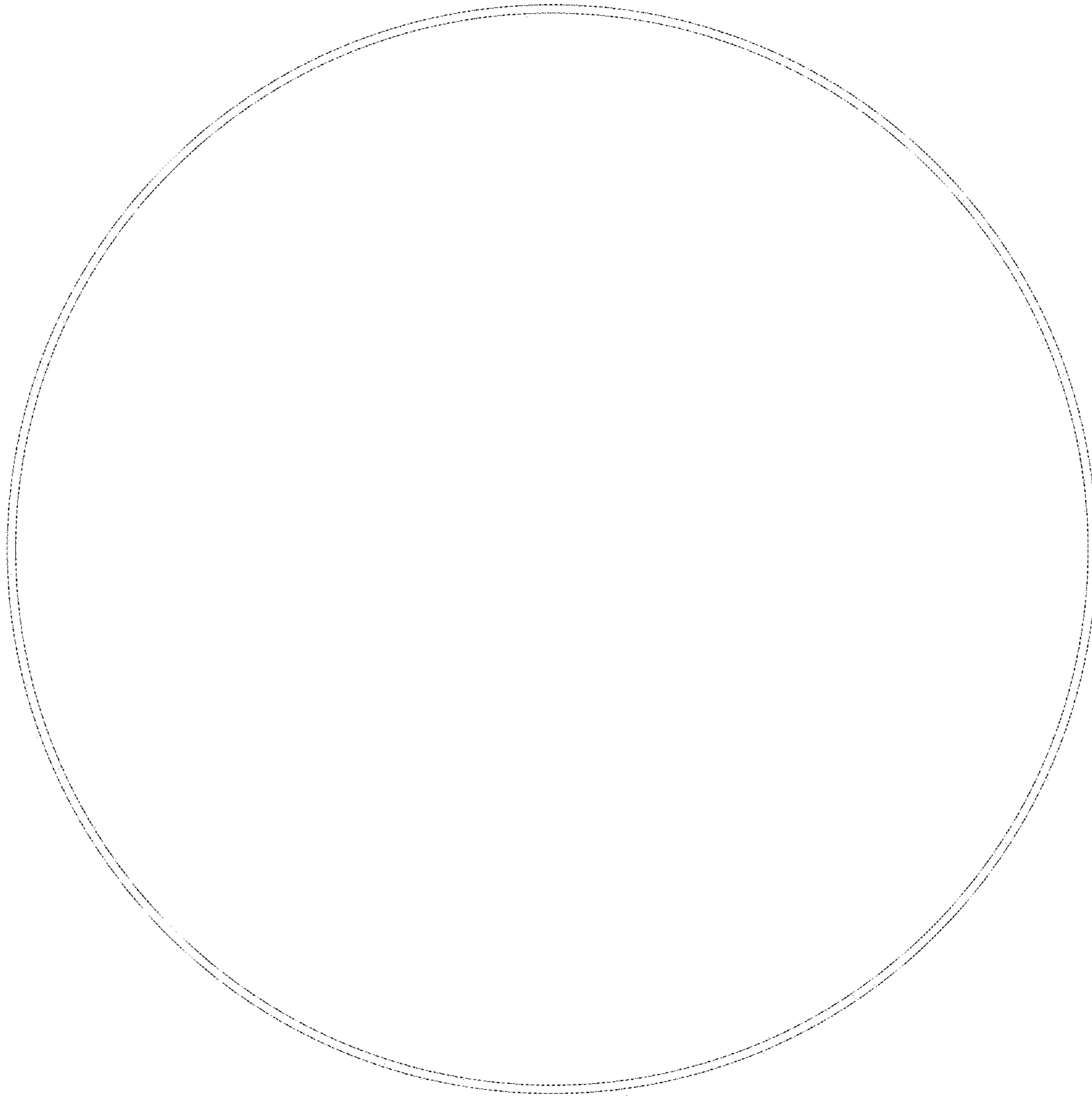


FIG. 6

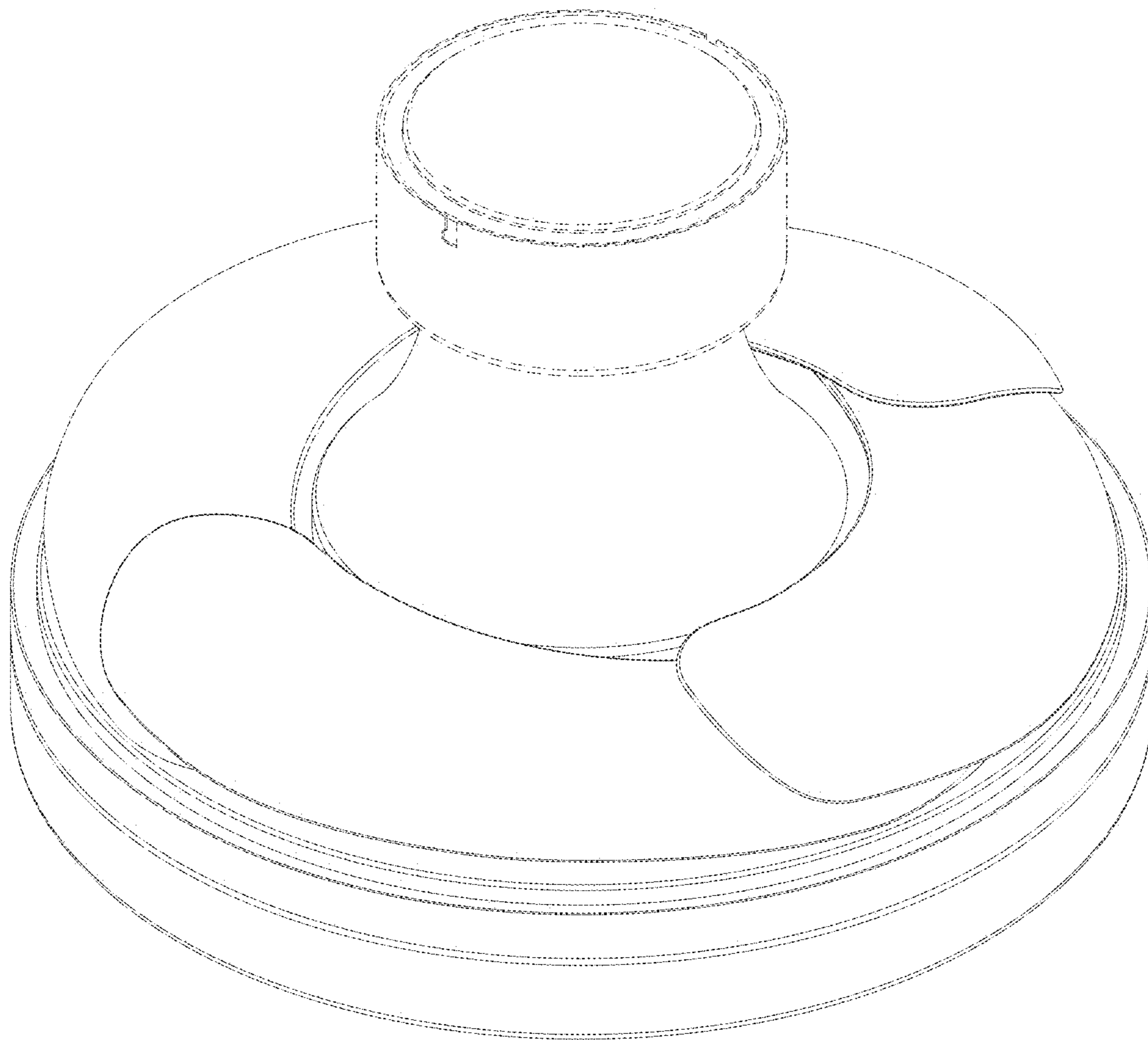


FIG. 7

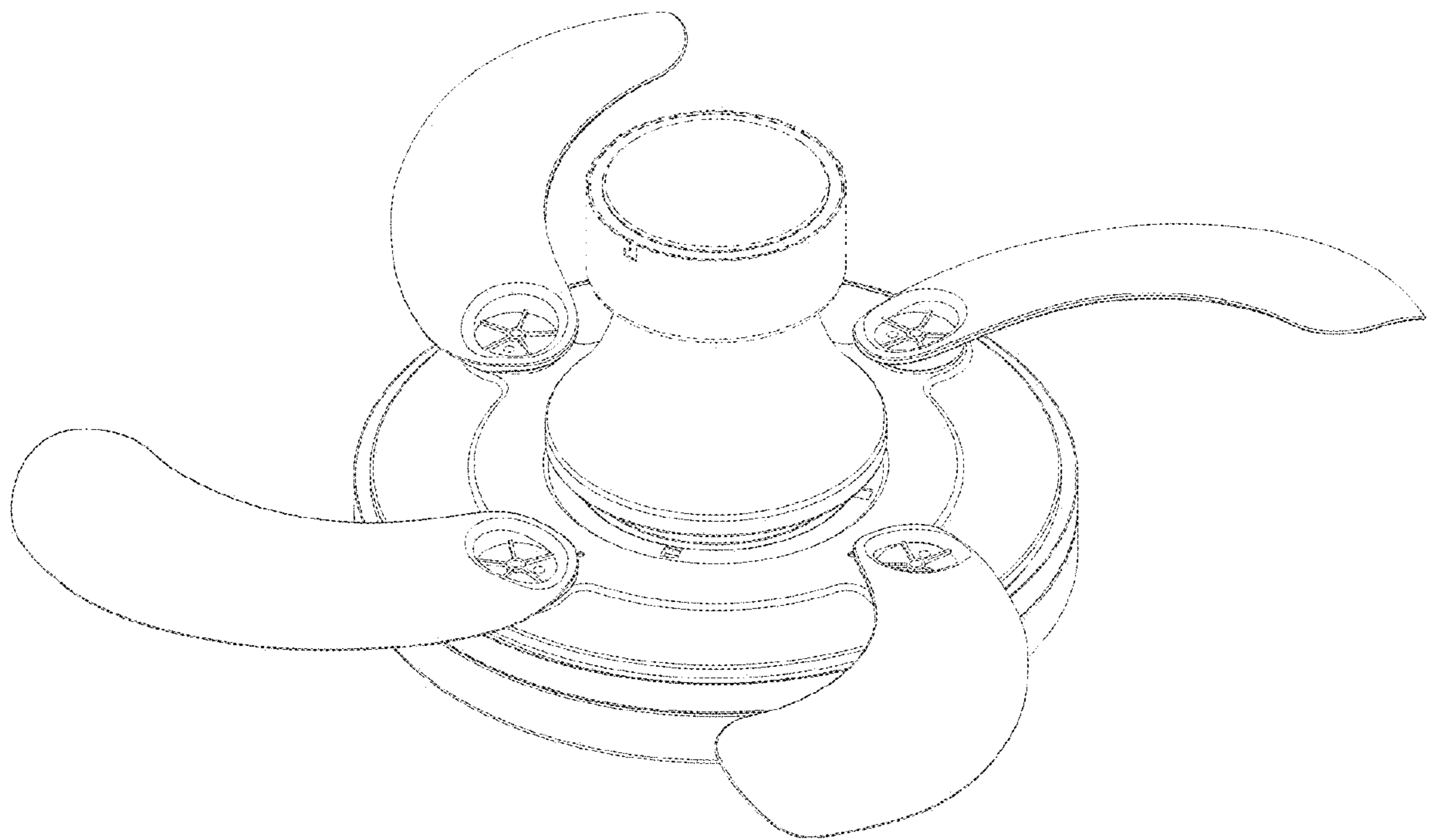


FIG. 8