



US00D972111S

(12) **United States Design Patent** (10) **Patent No.:** **US D972,111 S**
Holmes (45) **Date of Patent:** **** *Dec. 6, 2022**

- (54) **CEILING FAN**
- (71) Applicant: **HUNTER FAN COMPANY**,
Memphis, TN (US)
- (72) Inventor: **Christine Holmes**, Memphis, TN (US)
- (73) Assignee: **Hunter Fan Company**, Memphis, TN
(US)
- (*) Notice: This patent is subject to a terminal dis-
claimer.
- (**) Term: **15 Years**
- (21) Appl. No.: **29/750,386**
- (22) Filed: **Sep. 14, 2020**

- D149,133 S 3/1948 Kisling
- D175,239 S 7/1955 Theisen, III
- 2,822,750 A 2/1958 Austin et al.
- D185,813 S 8/1959 Walker
- D190,193 S 4/1961 Cameron
- D190,827 S 7/1961 Phillips
- D193,631 S 9/1962 Gantenbrink
- 3,499,558 A 3/1970 Rey
- 3,996,850 A 12/1976 Whitener
- 4,271,756 A 6/1981 Bettencourt
- 5,056,428 A 10/1991 Allen
- D328,638 S 8/1992 Hsieh
- D328,951 S 8/1992 Scofield et al.
- D341,419 S 11/1993 Taylor, III

(Continued)

Related U.S. Application Data

- (60) Continuation of application No. 29/645,019, filed on
Apr. 23, 2018, now Pat. No. Des. 899,653, which is
a continuation of application No. 29/621,480, filed on
Oct. 9, 2017, now Pat. No. Des. 821,010, which is a
division of application No. 29/557,164, filed on Mar.
7, 2016, now Pat. No. Des. 804,635.

- (51) **LOC (13) Cl.** **23-04**
- (52) **U.S. Cl.**
USPC **D23/377**
- (58) **Field of Classification Search**
USPC D23/370, 377, 379, 385, 411-414;
D26/59
CPC F04D 25/088; F04D 29/38; F04D 29/384;
F04D 29/386; F21V 33/0096
See application file for complete search history.

(56) **References Cited**

U.S. PATENT DOCUMENTS

- D18,223 S 4/1888 Barr
- 804,254 A 11/1905 Mygatt
- 2,139,928 A 12/1938 Blewett

OTHER PUBLICATIONS

<http://www.kichler.com/products/product/54-inch-porters-lake-fan-mdw-310110mdw.aspx>, Item Specification for the Kichler 54 Inch Porters Lake Fan MDW, 310110MDW, accessed Mar. 7, 2016.

(Continued)

Primary Examiner — Sharon S Oum
(74) *Attorney, Agent, or Firm* — McGarry Bair PC

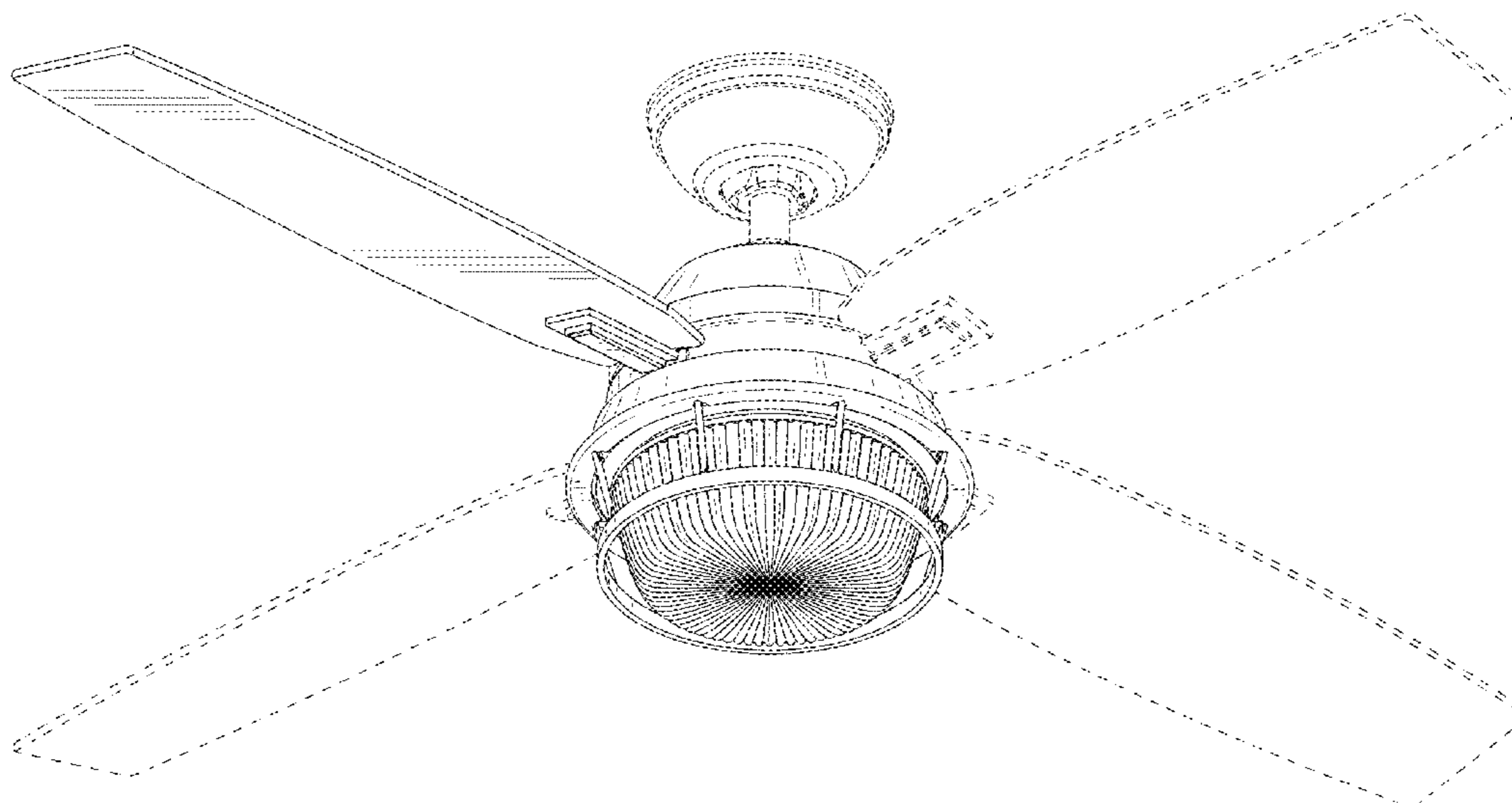
(57) **CLAIM**

The ornamental design for a ceiling fan, as shown and described.

DESCRIPTION

FIG. 1 is a top perspective view of a ceiling fan according to the invention;
FIG. 2 is a bottom perspective view of the ceiling fan of FIG. 1;
FIG. 3 is a top view of the ceiling fan of FIG. 1;
FIG. 4 is a bottom view of the ceiling fan of FIG. 1; and,
FIG. 5 is a front side view of the ceiling fan of FIG. 1, with a rear view being a mirror image thereof.
The broken lines illustrate portions of the ceiling fan that form no part of the claimed design.

1 Claim, 5 Drawing Sheets



(56)

References Cited

U.S. PATENT DOCUMENTS

D350,213 S 8/1994 Druffel et al.
 5,590,594 A 1/1997 Pederson
 D384,770 S 10/1997 Bray
 D388,871 S 1/1998 Jack
 D393,902 S 4/1998 Pickett
 D432,709 S 10/2000 Hsu
 D435,289 S 12/2000 Liu
 D438,324 S 2/2001 Pham
 D442,275 S 5/2001 Dolan
 D449,396 S 10/2001 Campbell
 D478,654 S 8/2003 Hidalgo
 D483,847 S 12/2003 Tai
 D485,002 S 1/2004 Lin
 D489,126 S 4/2004 Young
 D504,173 S 4/2005 Cohen
 D516,200 S 2/2006 Pickett
 D517,675 S 3/2006 Young
 D520,633 S 5/2006 Tai
 D525,696 S 7/2006 Ertze
 D525,739 S 7/2006 Wu
 D556,930 S 12/2007 Ertze
 D561,325 S 2/2008 Shirahama et al.
 D562,972 S 2/2008 Pickett
 D583,040 S 12/2008 Hidalgo
 D585,585 S 1/2009 Hidalgo
 D599,474 S 9/2009 Klausning et al.
 D614,794 S 4/2010 Sabernig
 D615,184 S 5/2010 Searle
 D619,238 S 7/2010 Hidalgo
 D620,101 S 7/2010 Frampton et al.
 D627,873 S 11/2010 Pan
 D627,912 S 11/2010 Mo
 D632,412 S 2/2011 Pan
 D633,194 S 2/2011 Frampton
 D640,407 S 6/2011 Chen
 D660,952 S 5/2012 Spaggiari
 D667,161 S 9/2012 Chen
 D671,633 S 11/2012 Glasbrenner
 D675,371 S 1/2013 Nowak
 D686,771 S 7/2013 Lastimosa
 D700,984 S 3/2014 Yang
 D704,819 S 5/2014 Wang
 D704,822 S 5/2014 Wang
 D705,922 S 5/2014 Wang
 D707,336 S 6/2014 Pan
 D717,935 S 11/2014 Strecker et al.
 D732,157 S 6/2015 Lin et al.
 D760,368 S 6/2016 Chen
 D771,235 S 11/2016 Hoff et al.
 D789,507 S 6/2017 Badarello et al.
 D799,020 S 10/2017 Guthrie
 D804,635 S 12/2017 Holmes
 D805,182 S 12/2017 Pickett
 D805,625 S 12/2017 Hagggar
 D806,852 S 1/2018 Holmes
 D808,002 S 1/2018 Holmes
 D814,011 S 3/2018 McRoberts et al.
 D820,431 S 6/2018 Ertze
 D821,010 S 6/2018 Holmes
 D825,086 S 8/2018 Holmes
 D825,812 S 8/2018 Wright
 D834,172 S 11/2018 Guthrie
 D840,077 S 2/2019 Holmes
 D850,611 S 6/2019 Hidalgo
 D872,850 S * 1/2020 Hagggar D23/377
 D874,632 S * 2/2020 Holmes D26/59
 D899,653 S * 10/2020 Holmes D26/59

D911,510 S * 2/2021 Guthrie D23/377
 2014/0056739 A1 2/2014 Wang
 2016/0111816 A1 4/2016 Walker et al.

OTHER PUBLICATIONS

<http://www.homedepot.com/p/Hampton-Bay-Sussex-II-52-in-Brushed-Nickel-Ceiling-Fan-AL694-BN/203244867>, Item Specification for the Sussex II 52 in. Brushed Nickel Ceiling Fan, AL695-BN, accessed Mar. 7, 2016.
<http://www.hunterfan.com/Ceiling-Fans/Key-Biscayne?ModelNumber=59135>, Item Specification for the Key Biscayne—54" Ceiling Fan, 59135, accessed Mar. 7, 2016.
<http://www.homedepot.com/p/Hunter-Westcott-52-in-New-Bronze-Ceiling-Fan-21095/202052344>, Item Specification for the Hunter Fan Westcott 52 in. New Bronze Ceilign Fan, 21095, accessed Mar. 7, 2016.
<http://www.quorumlightinglights.com/product/quorum-alta-indoor-ceiling-fans-58524-86.html>, Item Specification for the Quorum International Alta 1 Light Ceiling Fan in Oiled Bronze with Walnut Blades, 58524-86, accessed Mar. 7, 2016.
<http://www.minkagroup.net/all-collections?keys=como>, Item Specification for the Como F603-ORB 54" ceiling fan, F603-ORB, accessed Mar. 7, 2016.
<http://www.fanimation.com/products/index.php/fans/xeno.html>, Item Specification for the Xeno, FP6728, accessed Mar. 7, 2016.
<http://www.craftmade.com/Craftmade-HE52SS5-Stainless-Steel-Ceiling-Fan.HTM>, Craftmade—HE52SS5—Helios 52" Ceiling Fan Blades Included in Stainless Steel, HE52SS5, accessed Mar. 7, 2016.
<http://www.homedepot.com/p/Hampton-Bay-Northport-52-in-Brushed-Nickel-Ceiling-Fan-14926/202790687>, Hampton Bay Northport 52 in. Brushed Nickel Ceiling Fan, 14926, accessed Mar. 7, 2016.
<http://www.kingoffans.com/#/products/ceilingFans>, Argenta 52" ceiling fan, 61615, accessed Mar. 7, 2016.
http://ceilingfans.emerson.com/shop/en/fan/highrise-fan-p-cf430?cm_ve=&testElementId=&experimentId=, Highrise ceiling fan, CF430ORB, accessed Mar. 7, 2016.
<http://www.minkagroup.net/all-collections?keys=F695-CC+>, Kafe 52" ceiling fan, F695-CC, accessed Mar. 7, 2016.
<http://www.casablancafanco.com/Ceiling-Fans/Tribeca?ModelNumber=59499>, Tribeca 52" Ceiling Fan, 59499, accessed Mar. 7, 2016.
<http://www.homedepot.com/p/GE-Treviso-52-in-Oil-Rubbed-Bronze-Indoor-LED-Ceiling-Fan-20321/206087472>, Treviso 52 in. Oil Rubbed Bronze Indoor LED Ceiling Fan, 20321, accessed Mar. 7, 2016.
<http://www.kichler.com/products/product/60-terra-select-ceiling-fan-bap-330250bap.aspx>, Terra Select Collection 60" Terra Select Ceiling Fan BAP, 330250BAP, accessed Mar. 7, 2016.
<http://www.kingoffans.com/#/products/ceilingFans>, North ceiling fan, 51546, accessed Mar. 7, 2016.
<http://www.craftmade.com/Craftmade-MOR54ESP3-Espresso-Ceiling-Fan.HTM>, Craftmade—MOR54ESP3—Moorestad 54" Ceiling Fan Blades Included in Espresso with Matte Opal Glass, MOR54ESP3, accessed Mar. 7, 2016.
<http://ceilingfans.emerson.com/shop/en/fan/fans-s-emerson-fans/emerson-fans-browse-all/amhurst-fan-p-cf880>, Amhurst, CF880BS, accessed Mar. 7, 2016.
<http://www.kingoffans.com/#/products/ceilingFans>, Riverwalk ceiling fan, 43247, accessed Mar. 7, 2016.
 Savoy House, date first available Jan. 23, 2016, amazon.com, site visited Jul. 14, 2017, Copyright 1996-2017, Available from Internet, https://www.amazon.com/Savoy-House-56-Ceiling-180-5CN-109/dp/B01AYQ09YC/ref=sr_1_1?e=UTF8&qid=1500053000&sr=8-1&keywords=savory+house+phoebe.

* cited by examiner

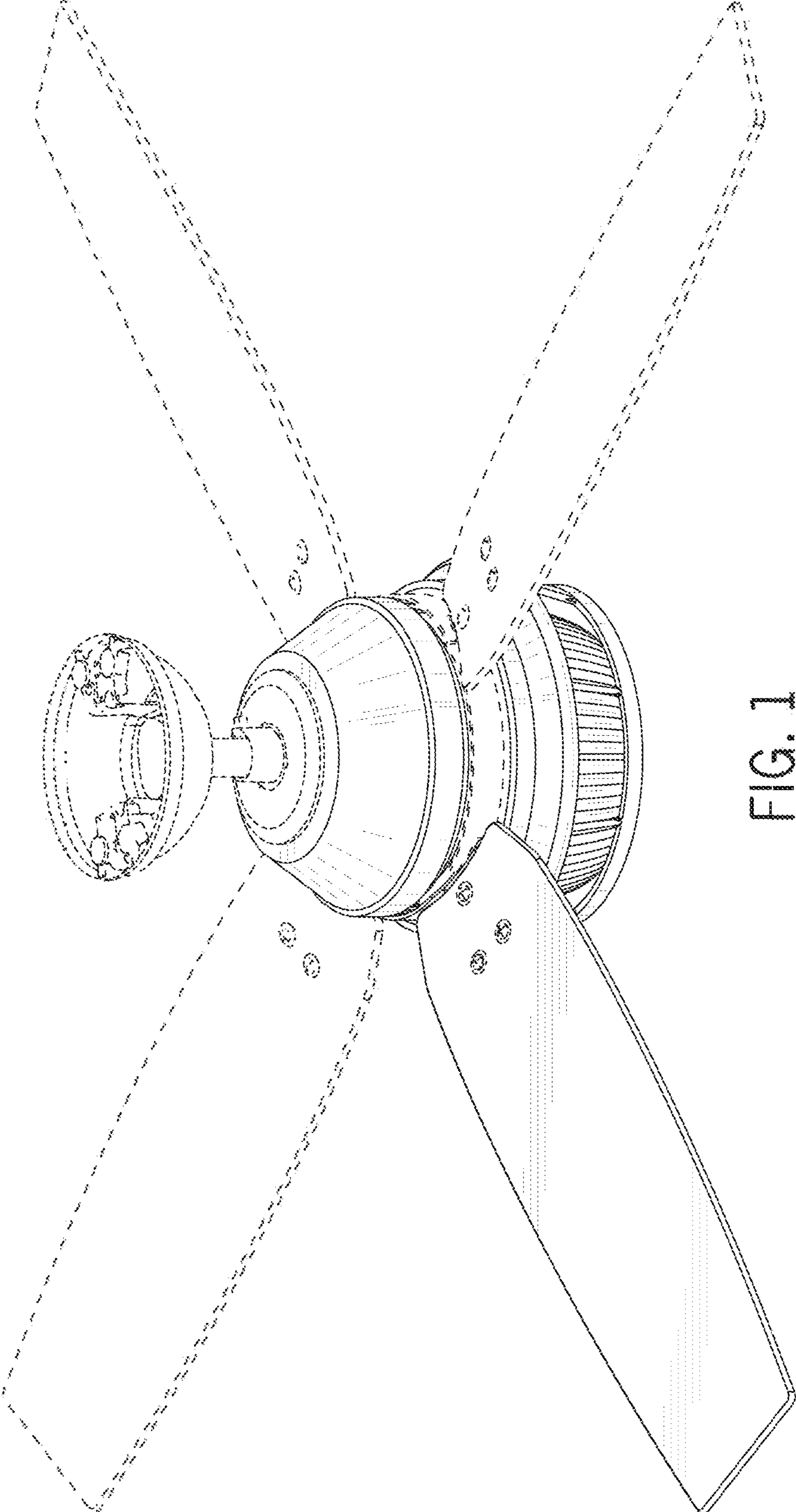


FIG. 1

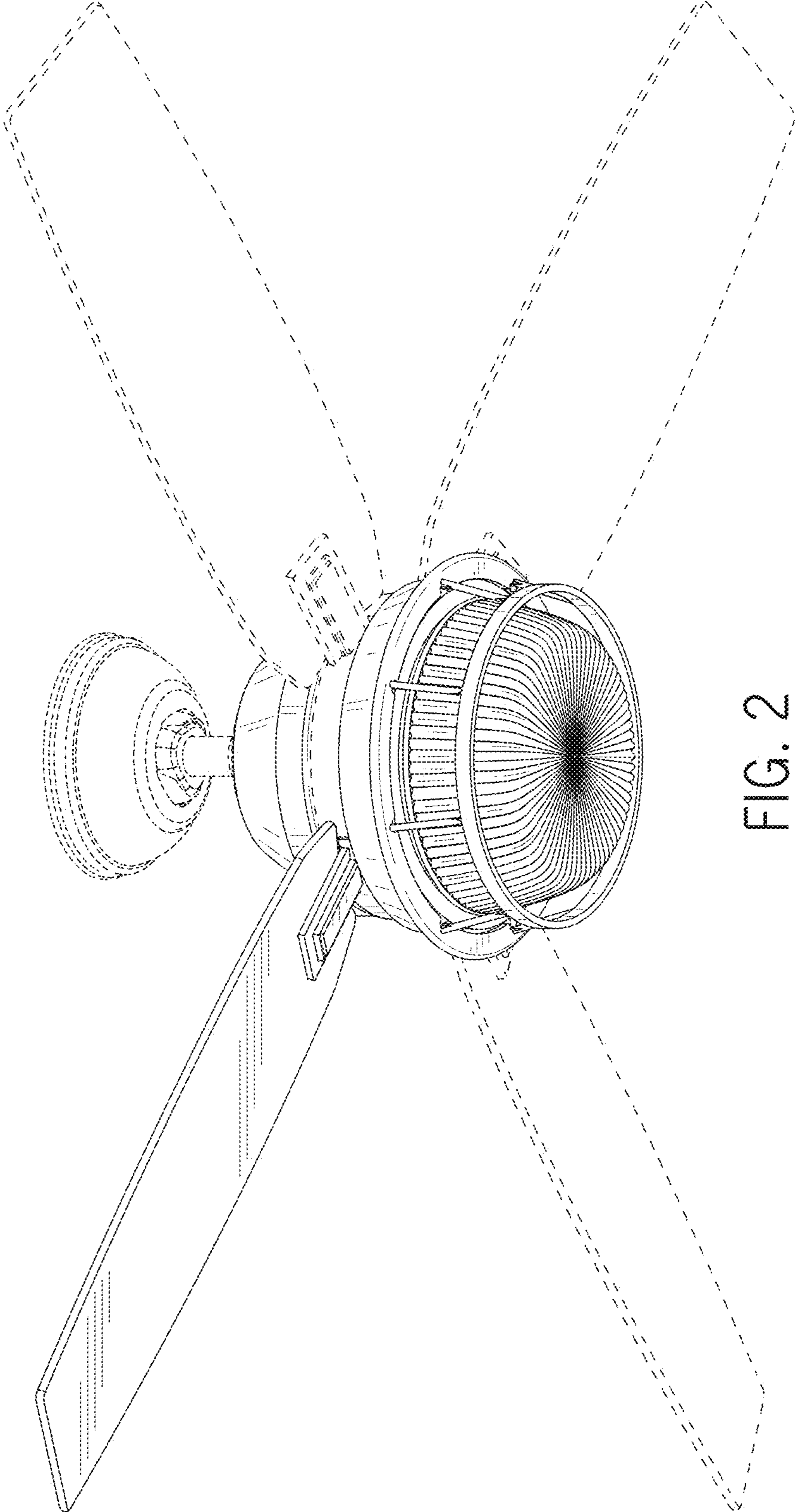


FIG. 2

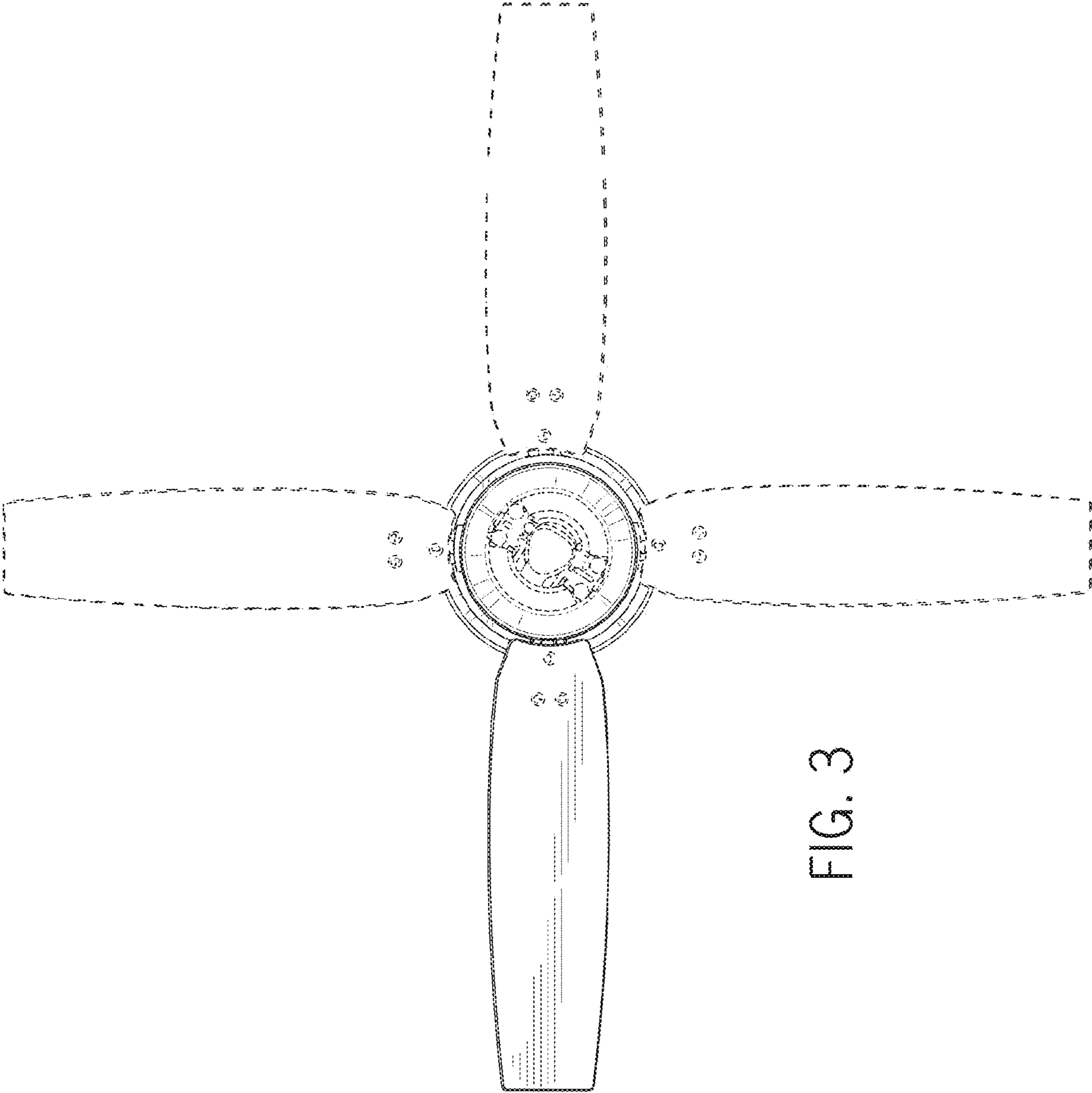


FIG. 3

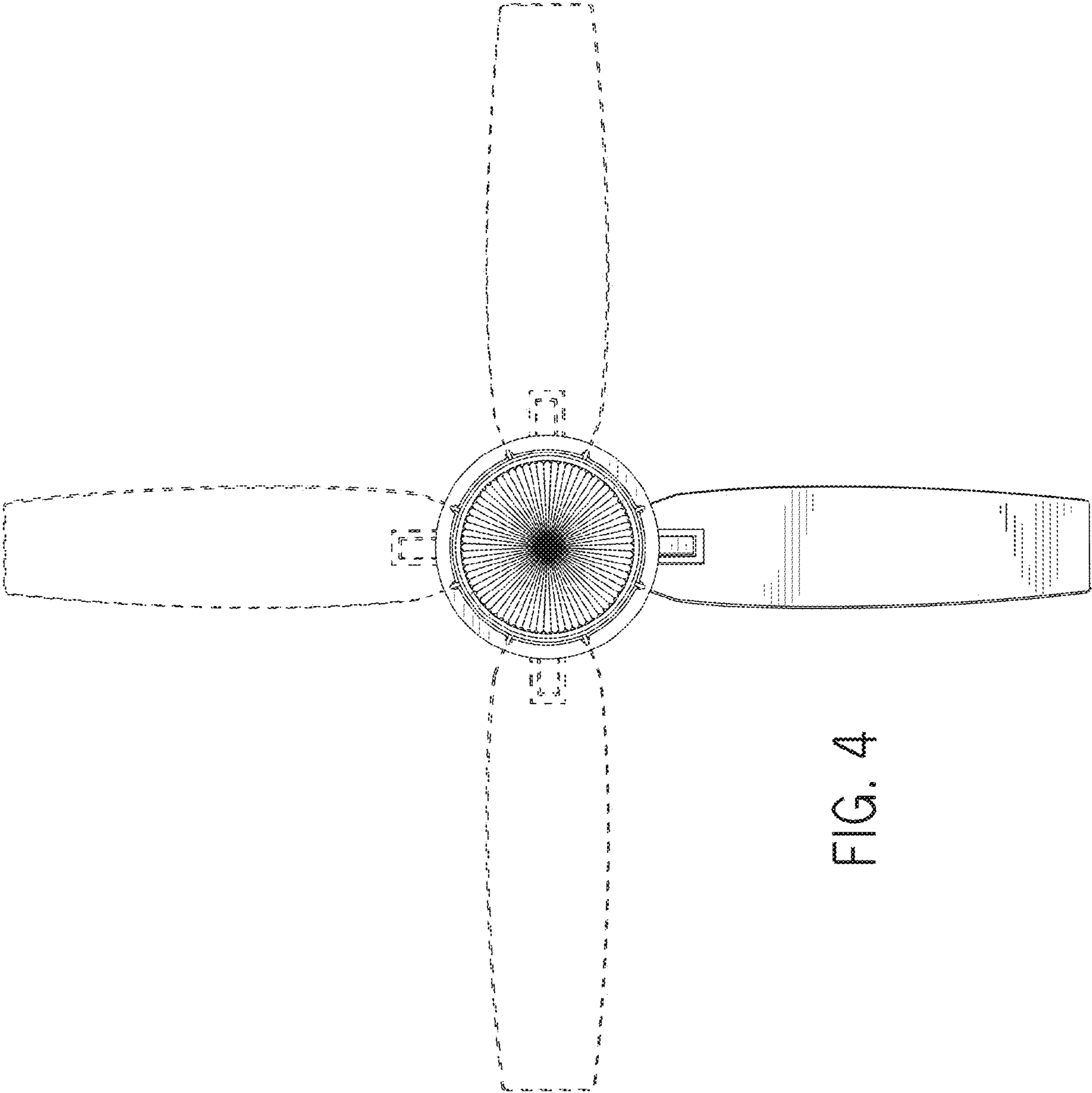


FIG. 4

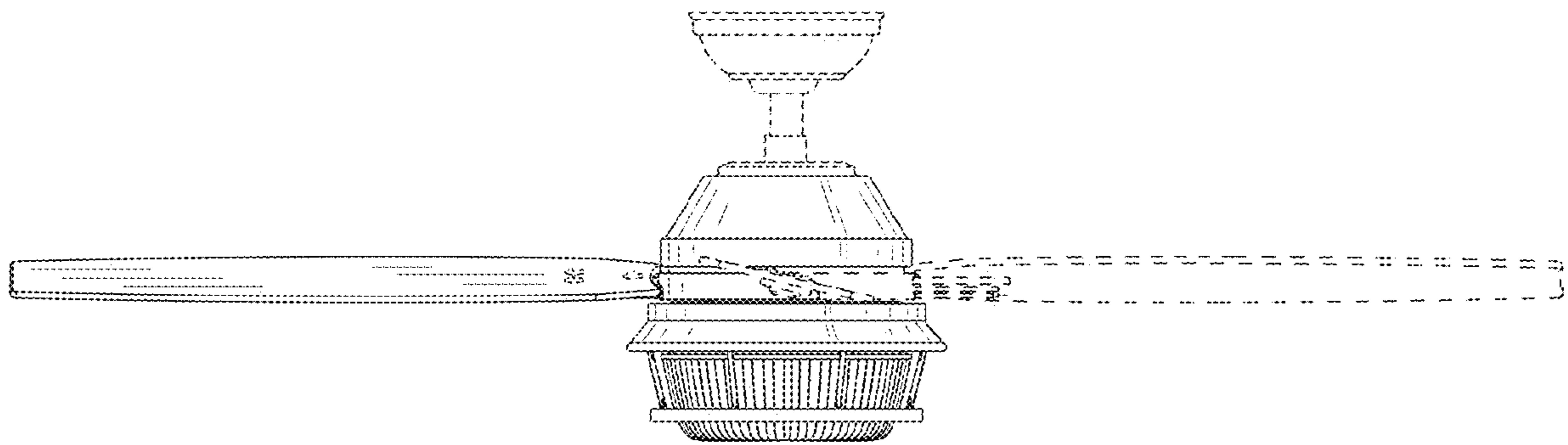


FIG. 5