



US00D972105S

(12) **United States Design Patent** (10) **Patent No.:** **US D972,105 S**  
**Lee** (45) **Date of Patent:** **\*\* Dec. 6, 2022**

(54) **AROMA DIFFUSER**

(56) **References Cited**

(71) Applicant: **Bloomy Lotus Ltd**, Hong Kong (HK)

U.S. PATENT DOCUMENTS

(72) Inventor: **Leander Lee**, Hong Kong (HK)

D224,401 S	*	7/1972	Clinton	.....	D23/207
D451,180 S	*	11/2001	Hoare	.....	D23/360
D698,429 S	*	1/2014	Jorgensen	.....	D23/366
D720,063 S	*	12/2014	Li	.....	D23/366
D800,285 S	*	10/2017	Seo	.....	D23/358
D860,424 S	*	9/2019	Seo	.....	D23/358
D916,267 S	*	4/2021	Chen	.....	D23/366
D919,793 S	*	5/2021	Lee	.....	D23/366

(73) Assignee: **Bloomy Lotus Ltd**, Hong Kong (HK)

(\*\*) Term: **15 Years**

\* cited by examiner

(21) Appl. No.: **29/800,232**

(22) Filed: **Jul. 20, 2021**

*Primary Examiner* — Gino Colan

*Assistant Examiner* — David OBrien

(30) **Foreign Application Priority Data**

Feb. 10, 2021 (HK) ..... 2117573.8M001

(51) **LOC (13) Cl.** ..... **23-04**

(52) **U.S. Cl.**  
USPC ..... **D23/366**

(57) **CLAIM**

The ornamental design for an aroma diffuser, as shown and described.

(58) **Field of Classification Search**

USPC ..... D7/509, 510; D11/143, 152; D14/195, D14/204, 221, 228; D23/207, 208, 209, D23/213, 223, 333, 335, 336, 351, 352, D23/353, 355, 356, 358, 359, 360, 362, D23/364–366; D24/108, 112, 129; D26/26, 37, 40, 46, 49

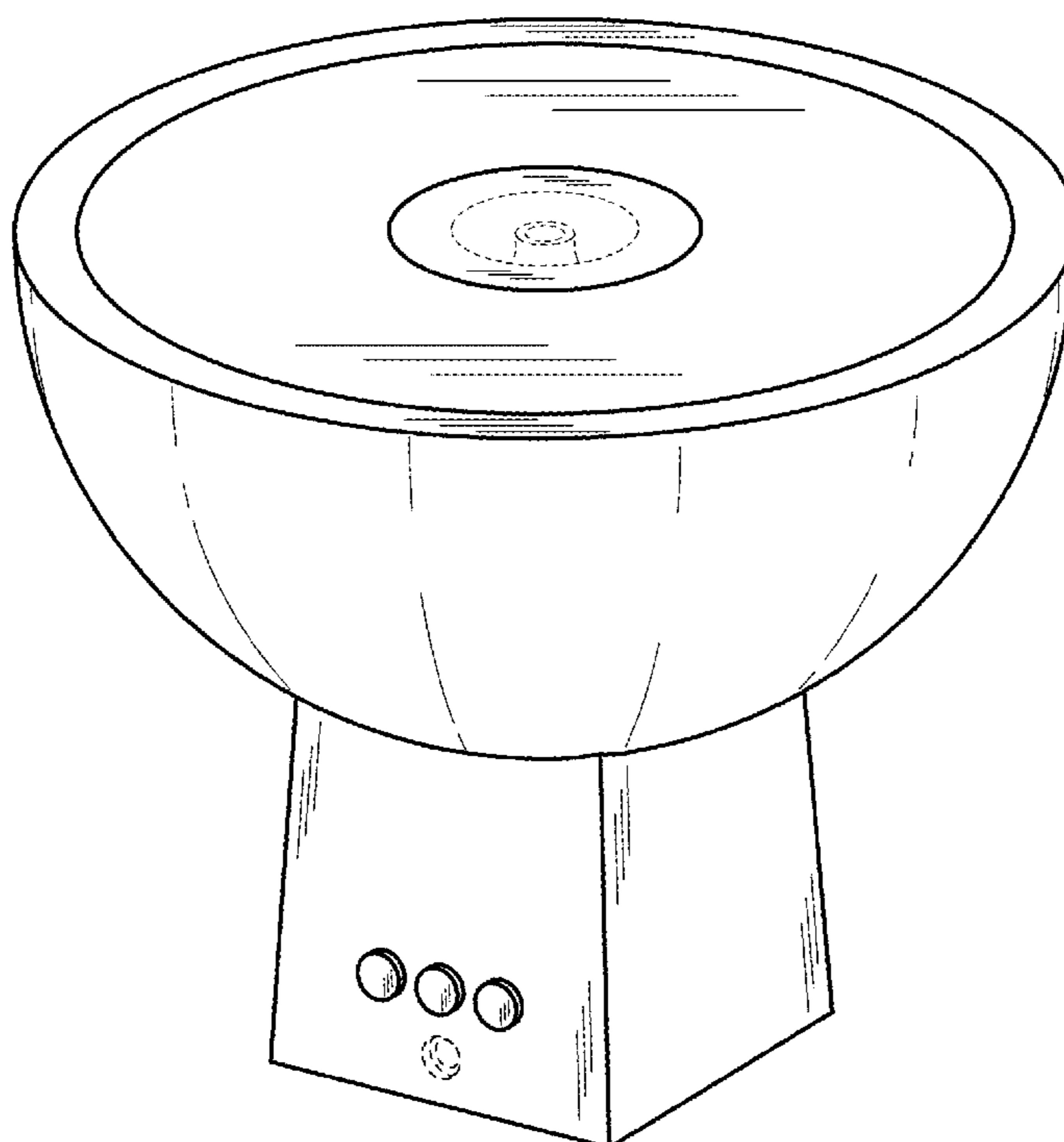
CPC ..... F24F 6/00; F24F 6/06; F24F 1/00; F24F 1/02; F24F 1/022; A47G 7/06; A61M 11/02; A61M 11/041; A61L 9/00; A61L 9/03; A61L 9/12; A61L 9/122; A61L 2209/11; A61L 2209/14; A61L 2209/133; Y10S 261/17; Y10S 261/88; Y10S 261/89; B01D 46/10; B01D 46/0005; B01D 46/2411

**DESCRIPTION**

FIG. 1 is a front elevational view of an aroma diffuser showing my new design;  
 FIG. 2 is a rear elevational view thereof;  
 FIG. 3 is a left side view thereof;  
 FIG. 4 is a right side view thereof;  
 FIG. 5 is a top plan view thereof;  
 FIG. 6 is a bottom plan view thereof;  
 FIG. 7 is a top, front and right side perspective view thereof;  
 and,  
 FIG. 8 is a bottom and rear perspective view thereof.  
 The broken lines in the drawings illustrate portions of the aroma diffuser which form no part of the claimed design.

See application file for complete search history.

**1 Claim, 8 Drawing Sheets**



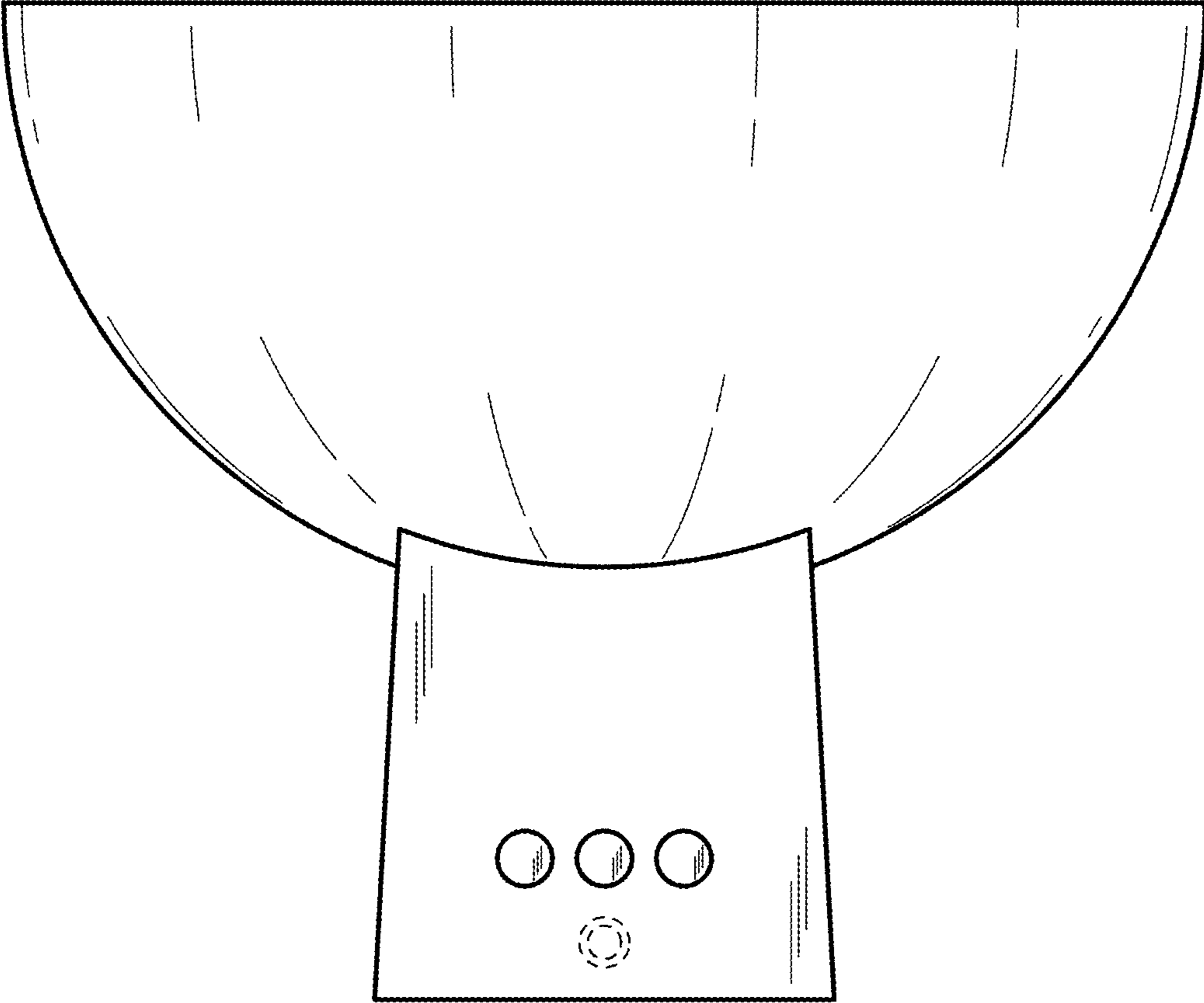


Fig. 1

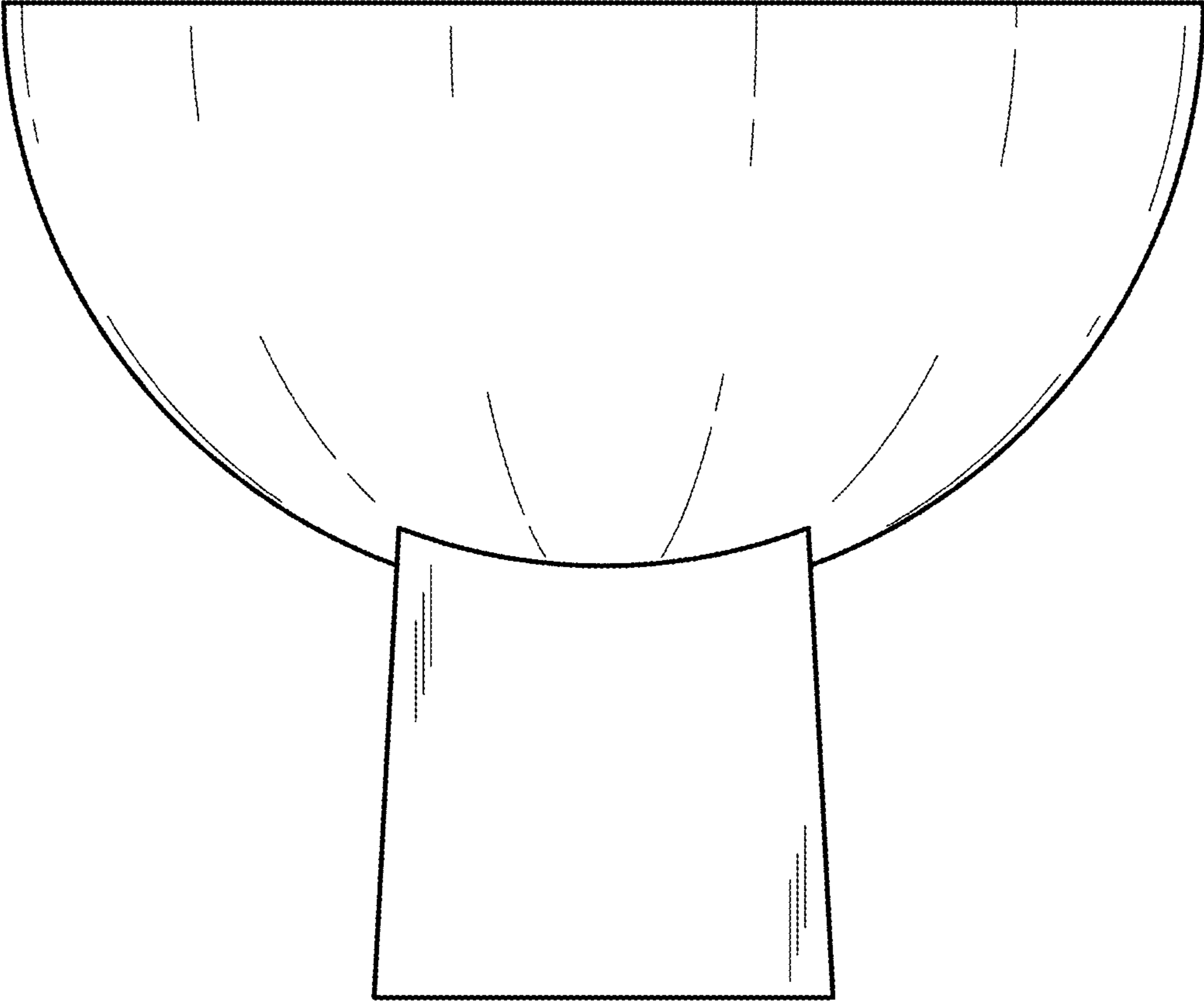


Fig. 2

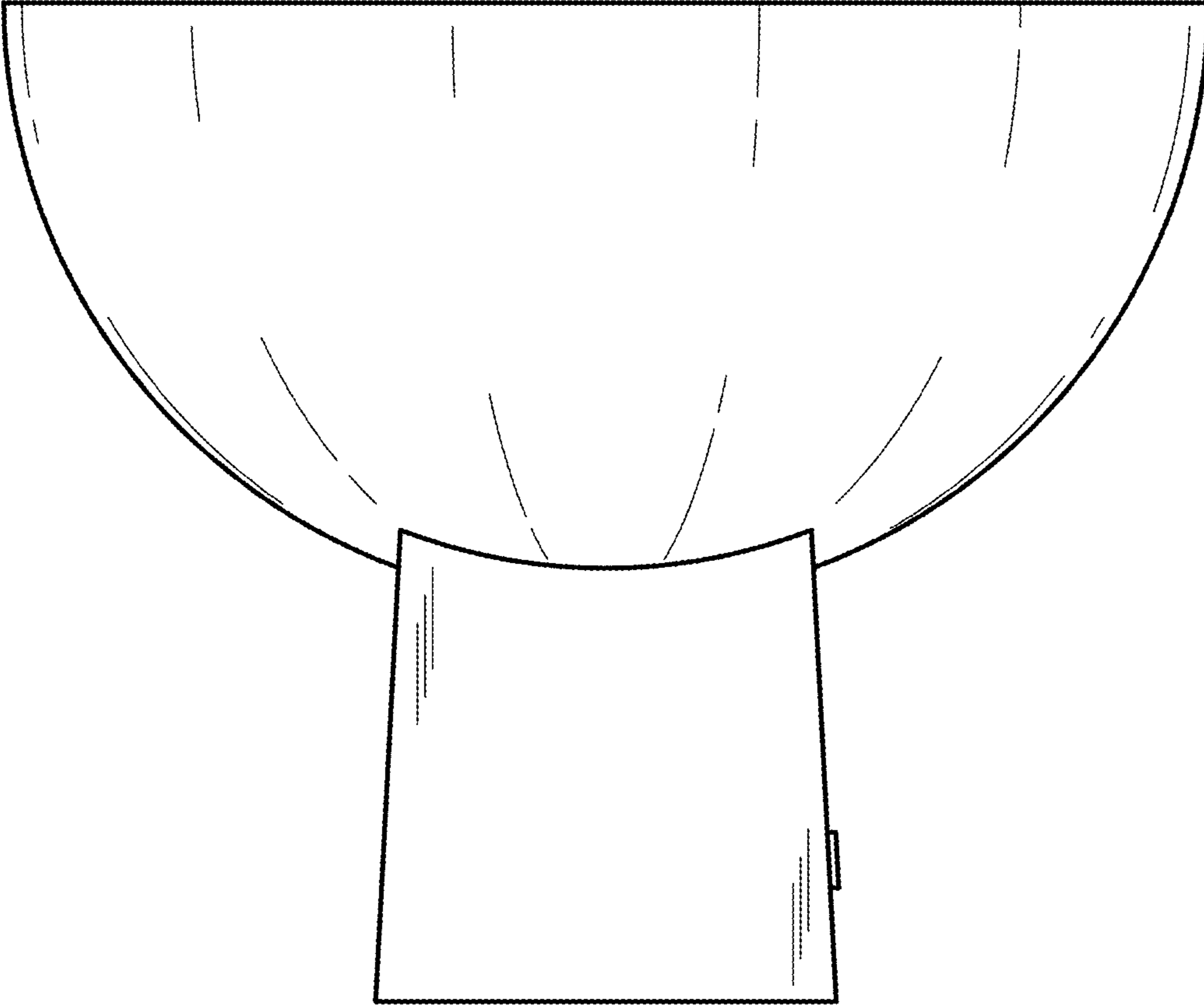


Fig. 3

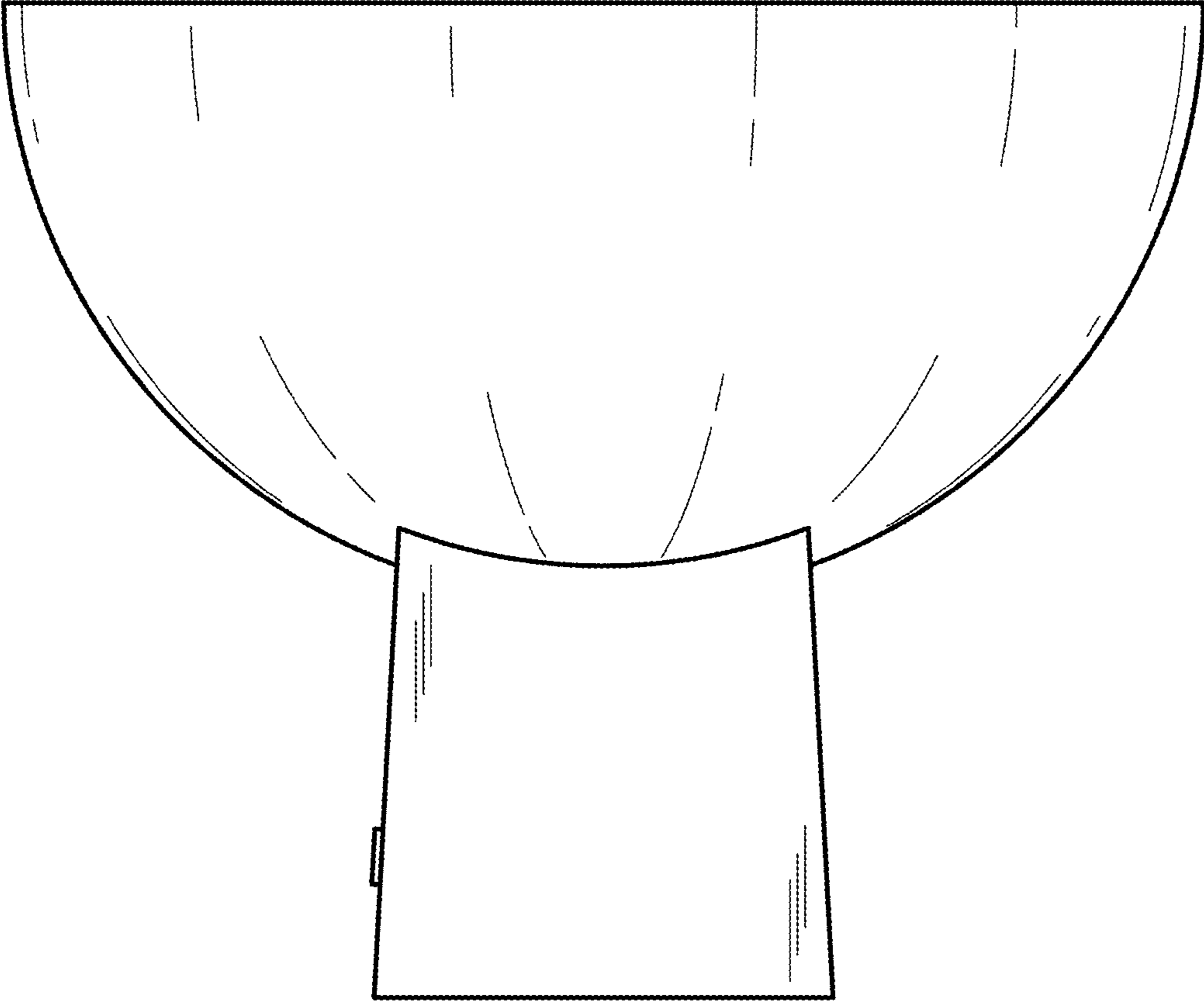


Fig. 4

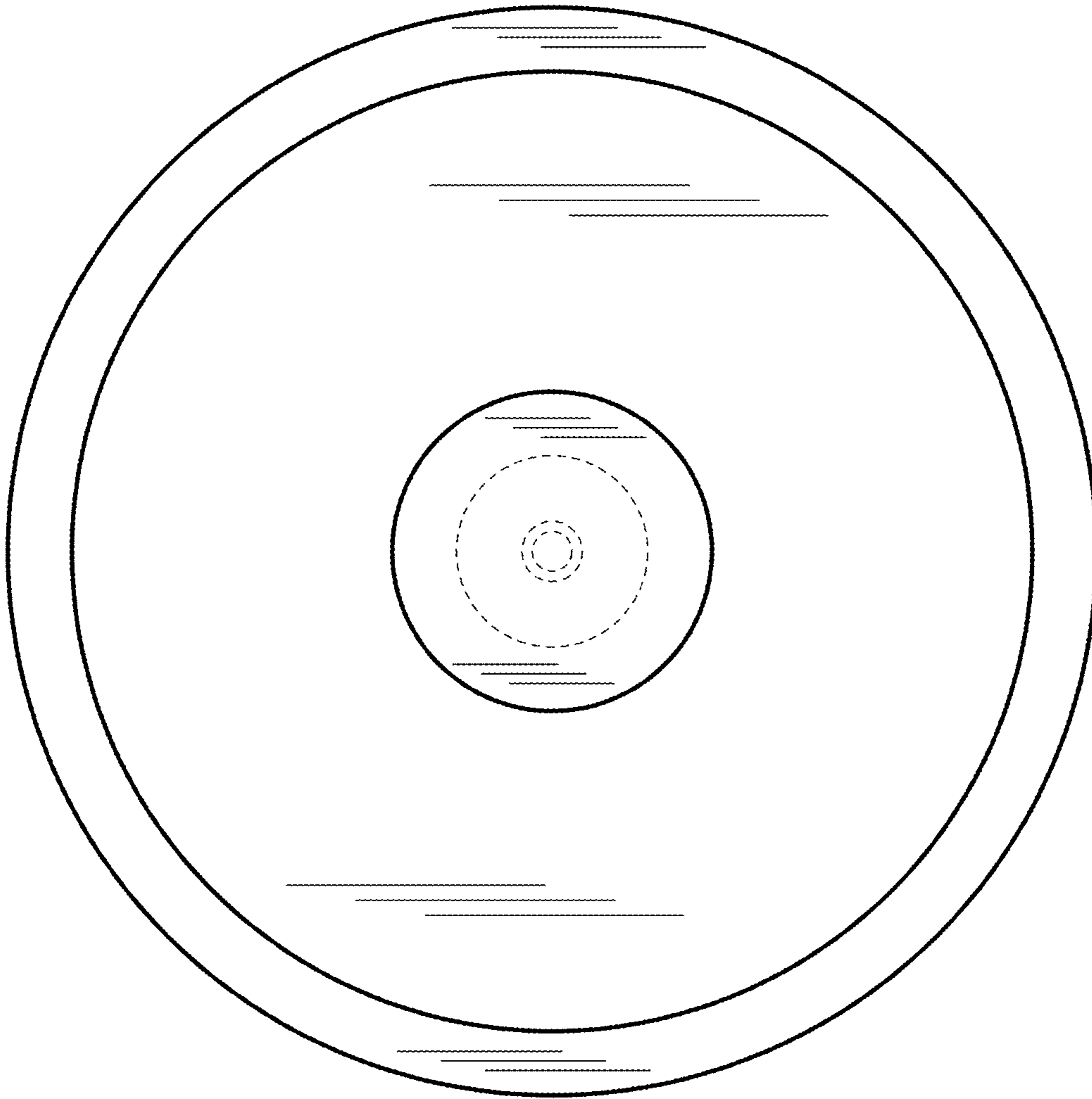


Fig. 5

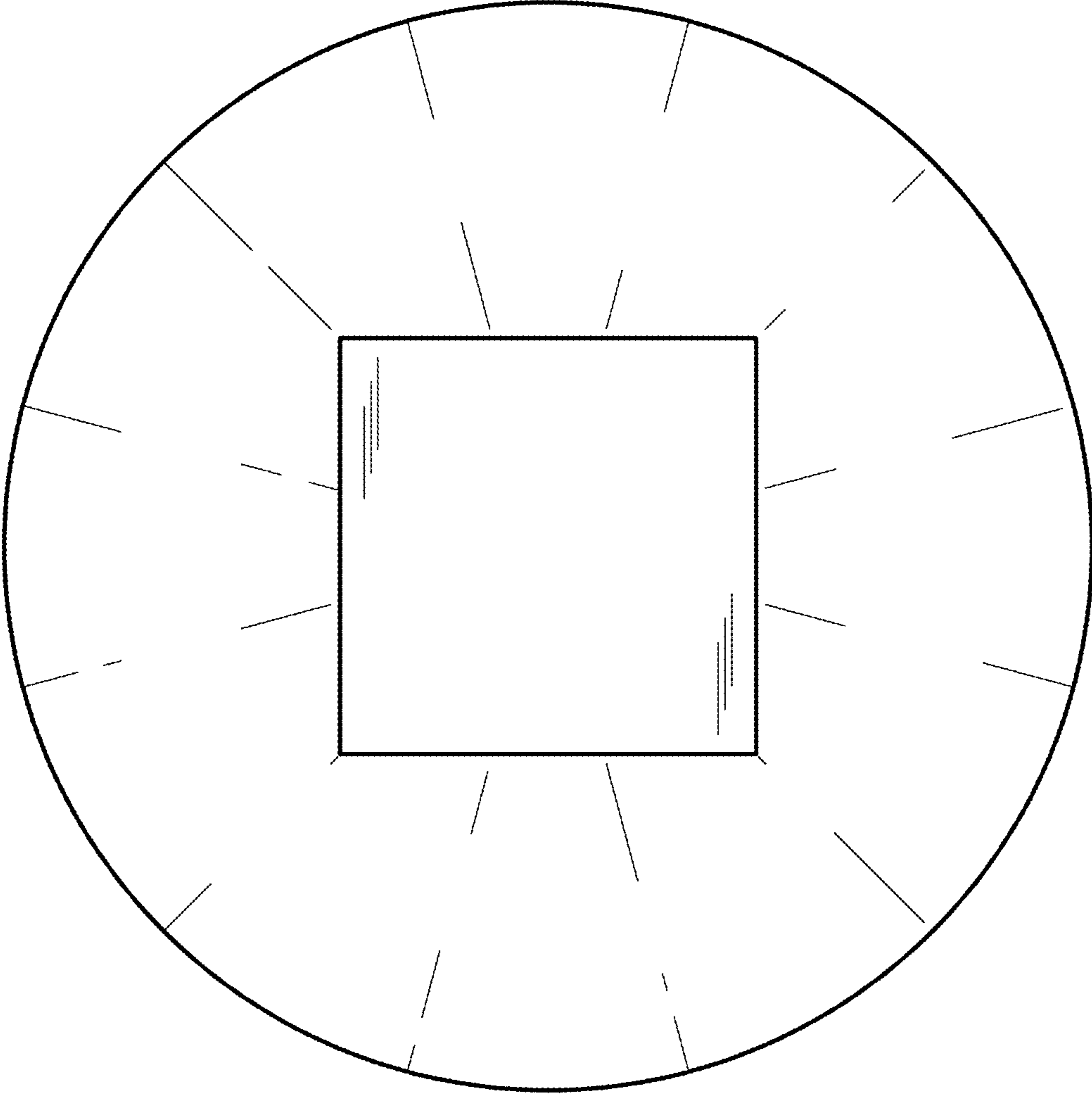


Fig. 6

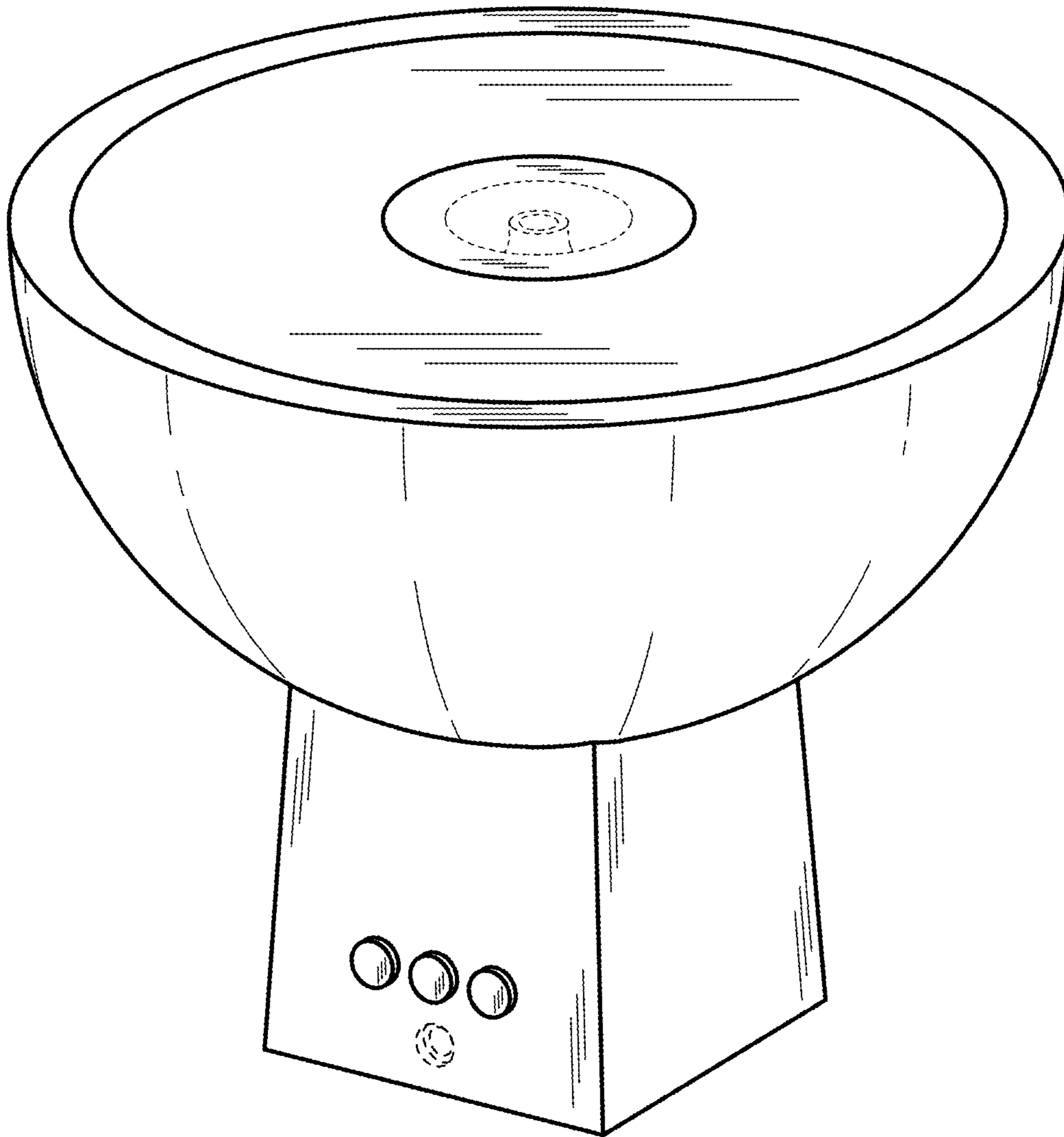


Fig. 7



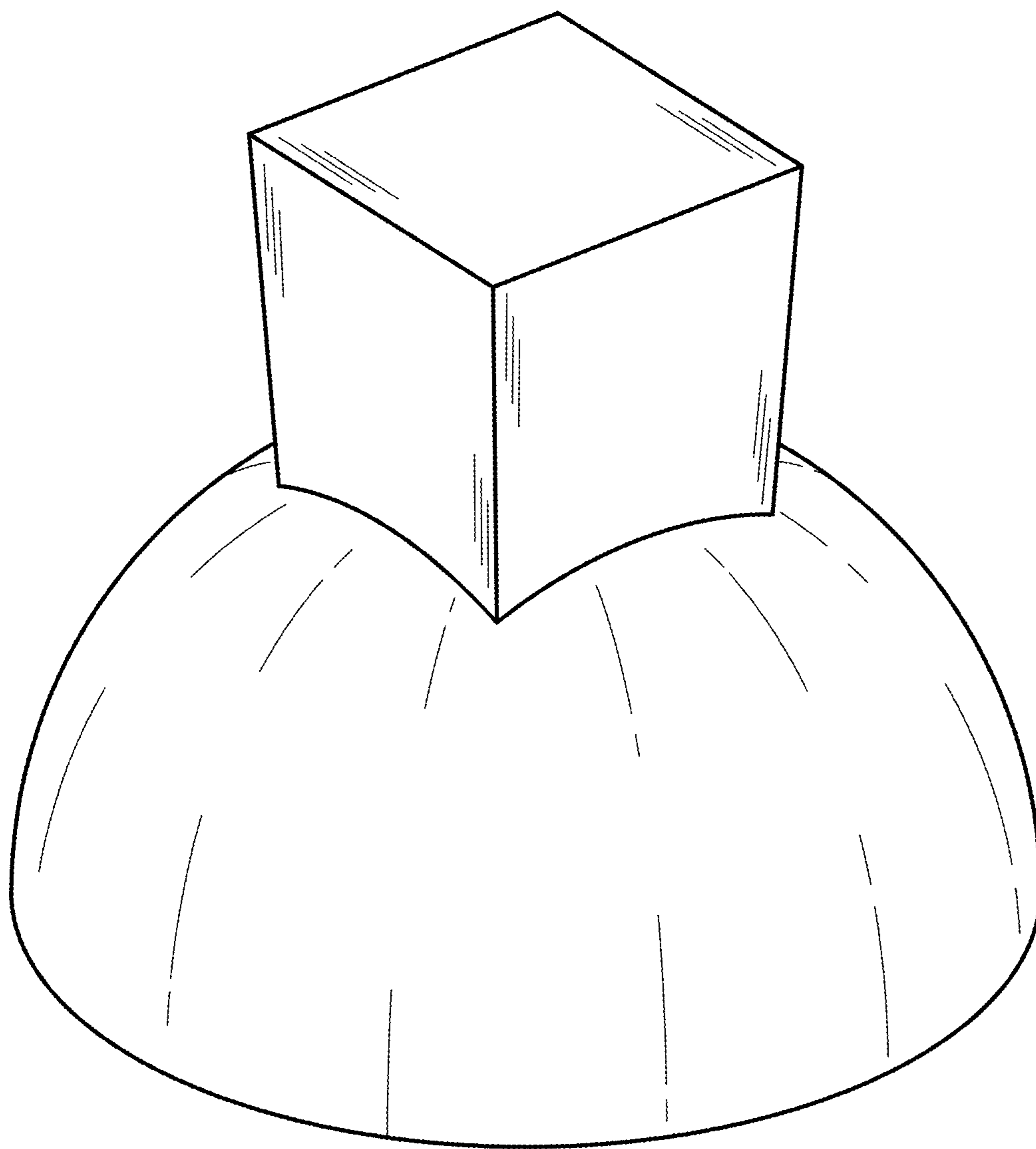


Fig. 8