



US00D972104S

(12) **United States Design Patent** (10) **Patent No.:** **US D972,104 S**  
**Wu** (45) **Date of Patent:** **\*\* Dec. 6, 2022**

(54) **OZONE GENERATOR**

(71) Applicant: **Weibin Wu**, Guangdong (CN)

(72) Inventor: **Weibin Wu**, Guangdong (CN)

(\*\*) Term: **15 Years**

(21) Appl. No.: **29/750,991**

(22) Filed: **Sep. 17, 2020**

(51) **LOC (13) Cl.** ..... **23-04**

(52) **U.S. Cl.**

USPC ..... **D23/366**

(58) **Field of Classification Search**

USPC ..... D7/509, 510; D11/143, 152; D14/195,  
D14/204, 221, 228; D23/207, 208, 209,  
D23/213, 223, 333, 335, 336, 351, 352,  
D23/353, 355, 356, 359, 360, 362,  
D23/364-366; D24/108, 110, 112, 129;  
D26/26, 37, 40, 46, 49; D15/7  
CPC ..... F24F 6/00; F24F 6/06; F24F 1/00; F24F  
1/02; F24F 1/022; A47G 7/06; A61M  
11/02; A61M 11/041; A61L 9/00; A61L  
9/03; A61L 9/12; A61L 9/122; A61L  
2209/11; A61L 2209/14; A61L 2209/133;  
Y10S 261/17; Y10S 261/88; Y10S  
261/89; B01D 46/10; B01D 46/0005;  
B01D 46/2411

See application file for complete search history.

(56) **References Cited**

U.S. PATENT DOCUMENTS

D361,828 S \* 8/1995 Chen ..... D23/335  
D437,637 S \* 2/2001 Leonhard ..... D24/108

D848,593 S \* 5/2019 Exley ..... D23/351  
D849,220 S \* 5/2019 Fang ..... D23/351  
D884,864 S \* 5/2020 Sun ..... D23/364  
D887,982 S \* 6/2020 Schmidt ..... D23/366  
D906,502 S \* 12/2020 Lu ..... D23/364  
2020/0317518 A1\* 10/2020 Schmidt ..... A61L 9/12

\* cited by examiner

*Primary Examiner* — Gino Colan

*Assistant Examiner* — David OBrien

(74) *Attorney, Agent, or Firm* — ScienBiziP, P.C.

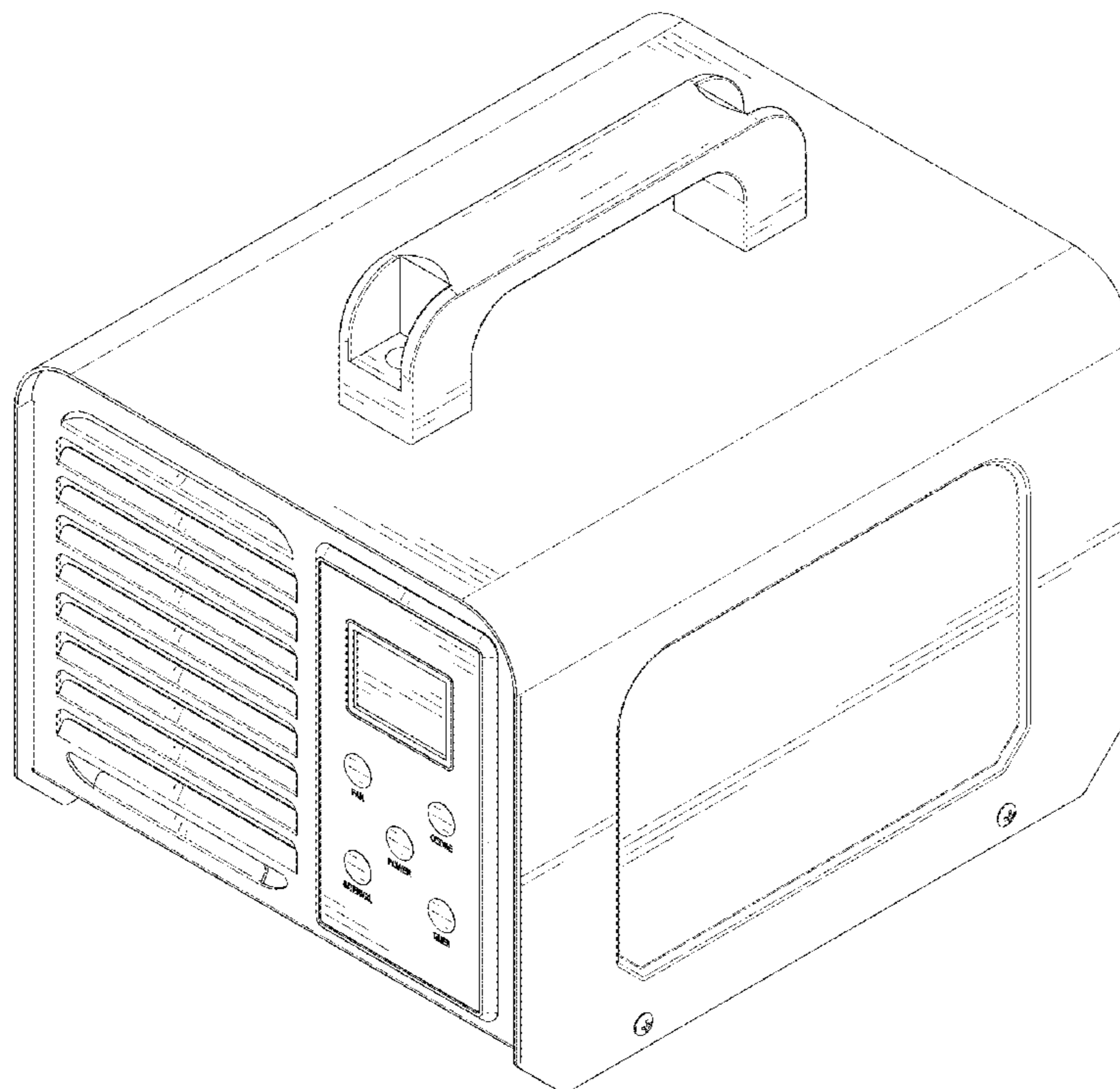
(57) **CLAIM**

The ornamental design for an ozone generator, as shown and described.

**DESCRIPTION**

FIG. 1 is a front and top perspective view of an ozone generator, showing my design.  
FIG. 2 is a rear and bottom perspective view thereof.  
FIG. 3 is a front elevation view thereof.  
FIG. 4 is a rear elevation view thereof.  
FIG. 5 is a left side elevation thereof.  
FIG. 6 is a right side elevation thereof.  
FIG. 7 is a top plan view thereof; and,  
FIG. 8 is a bottom plan view thereof.  
The broken lines shown in the figures are for the purpose of illustrating portions of the ozone generator and form no part of the claimed design.

**1 Claim, 8 Drawing Sheets**



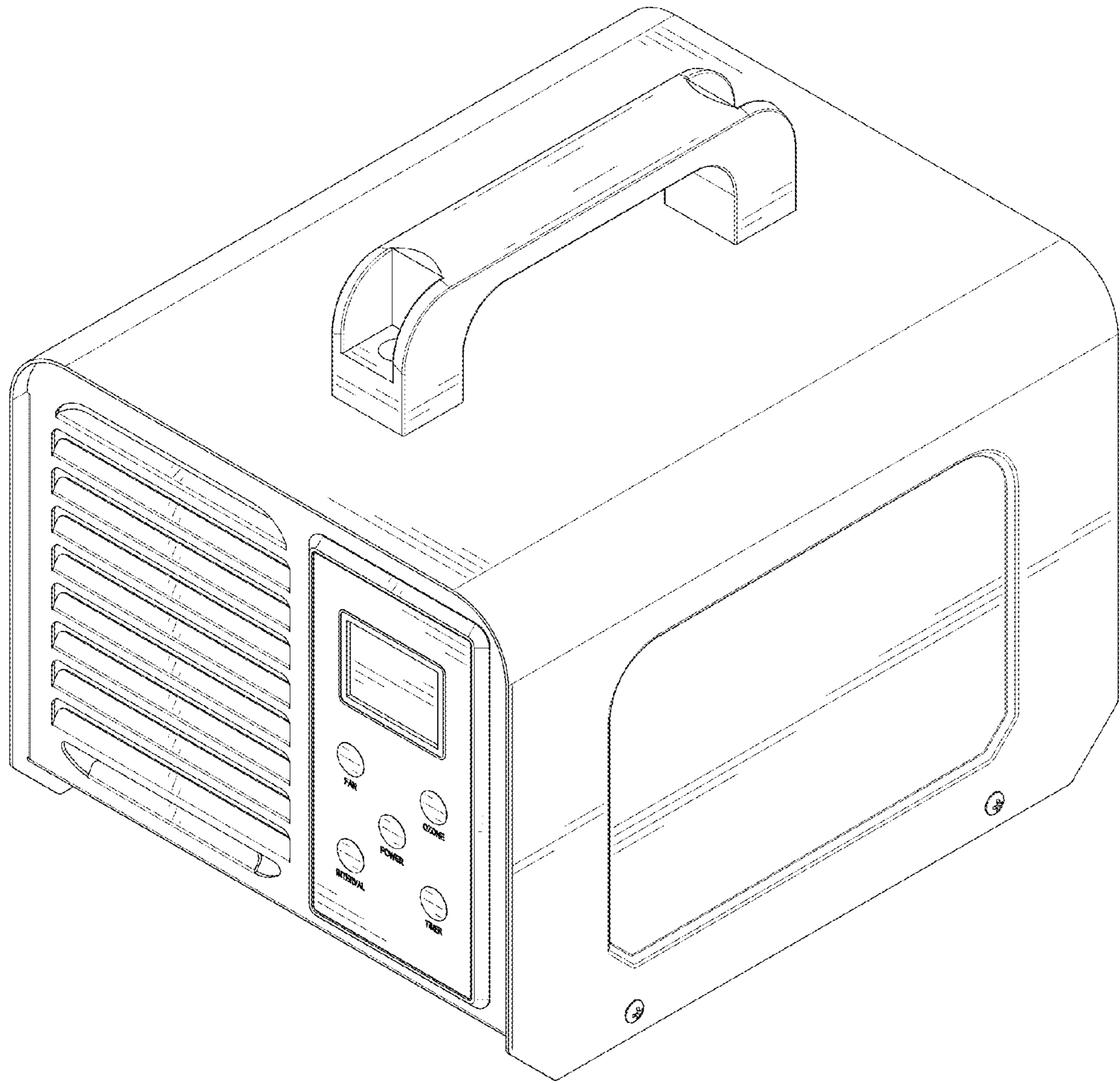


FIG.1

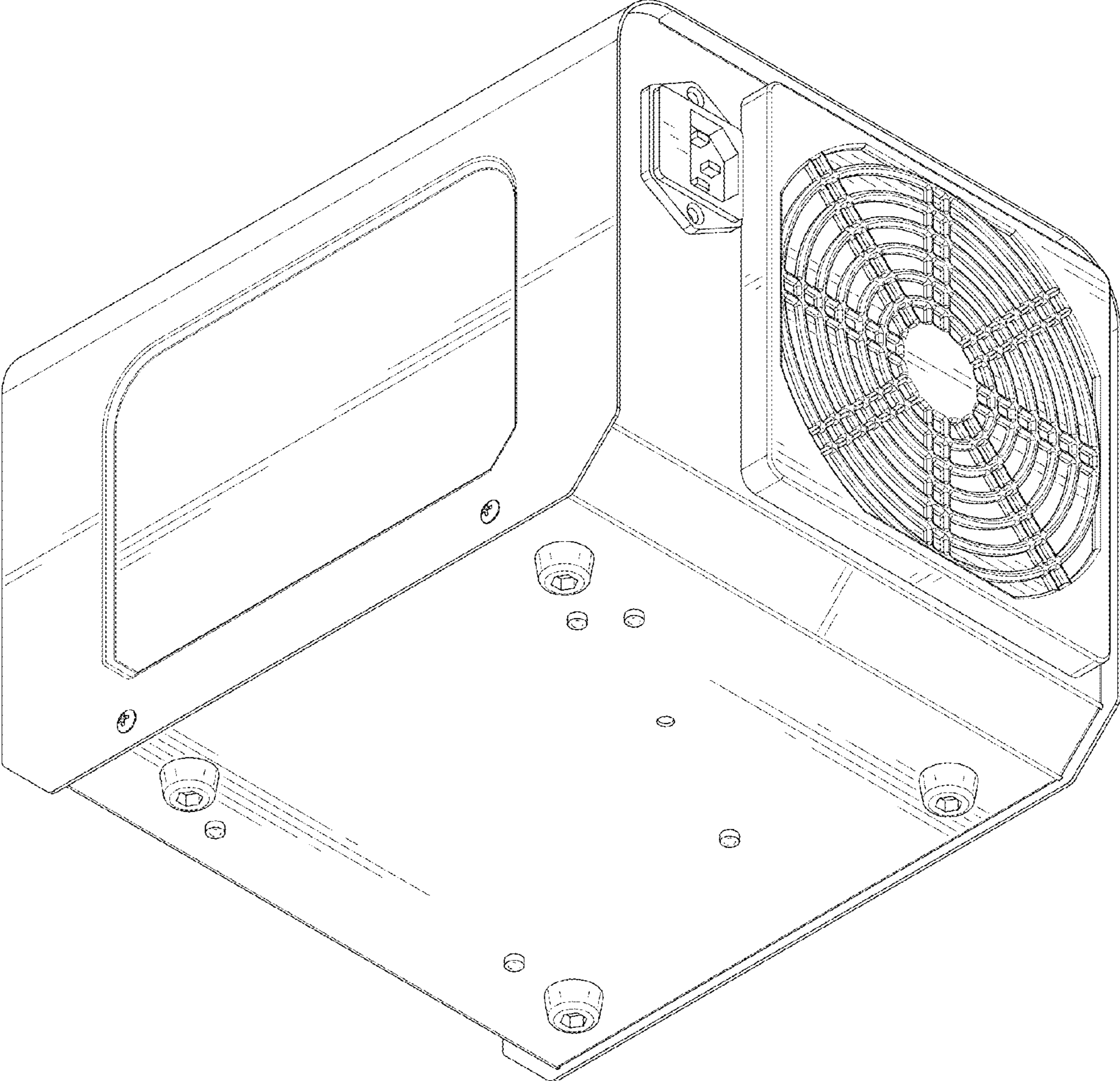


FIG.2

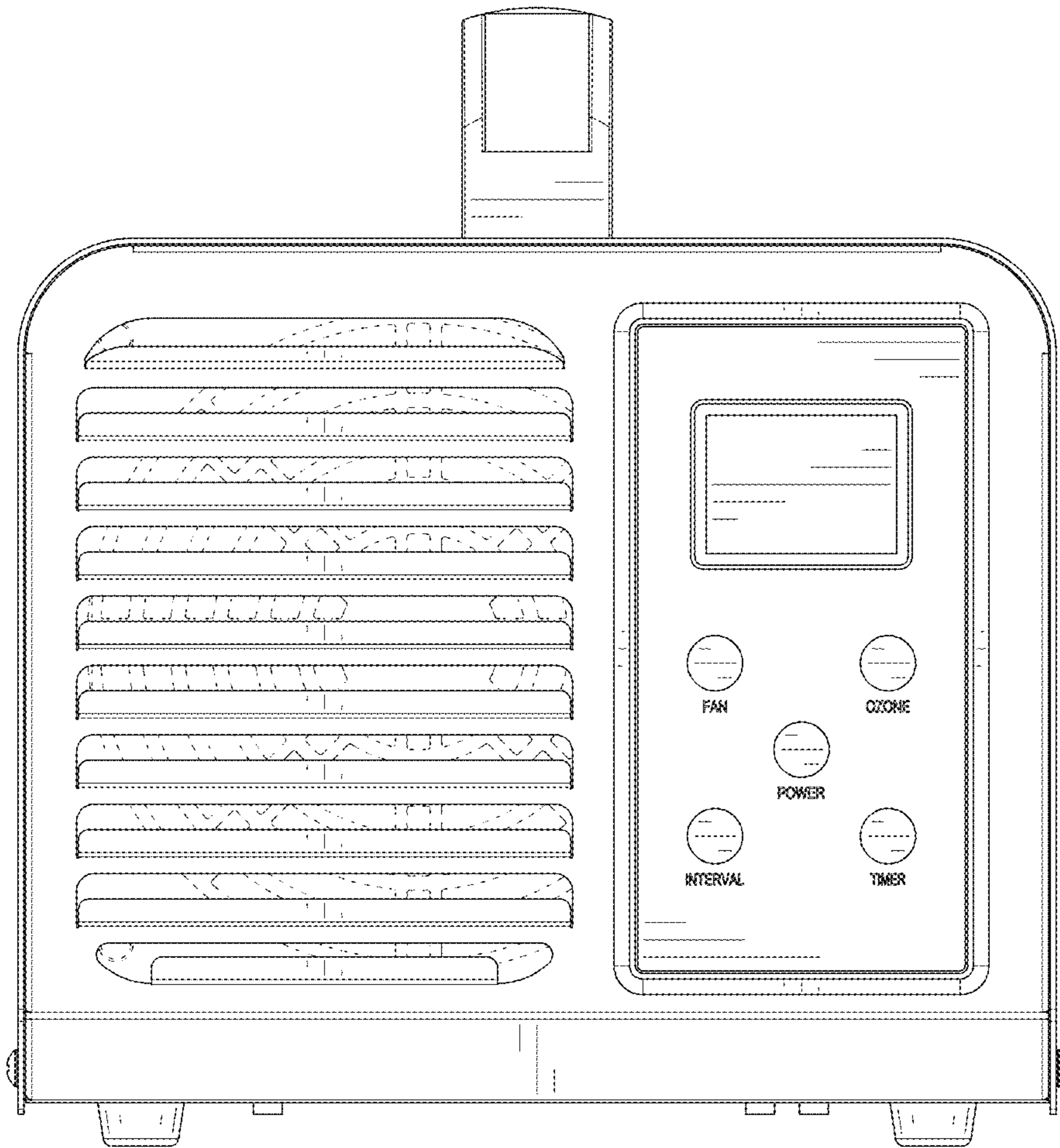


FIG.3

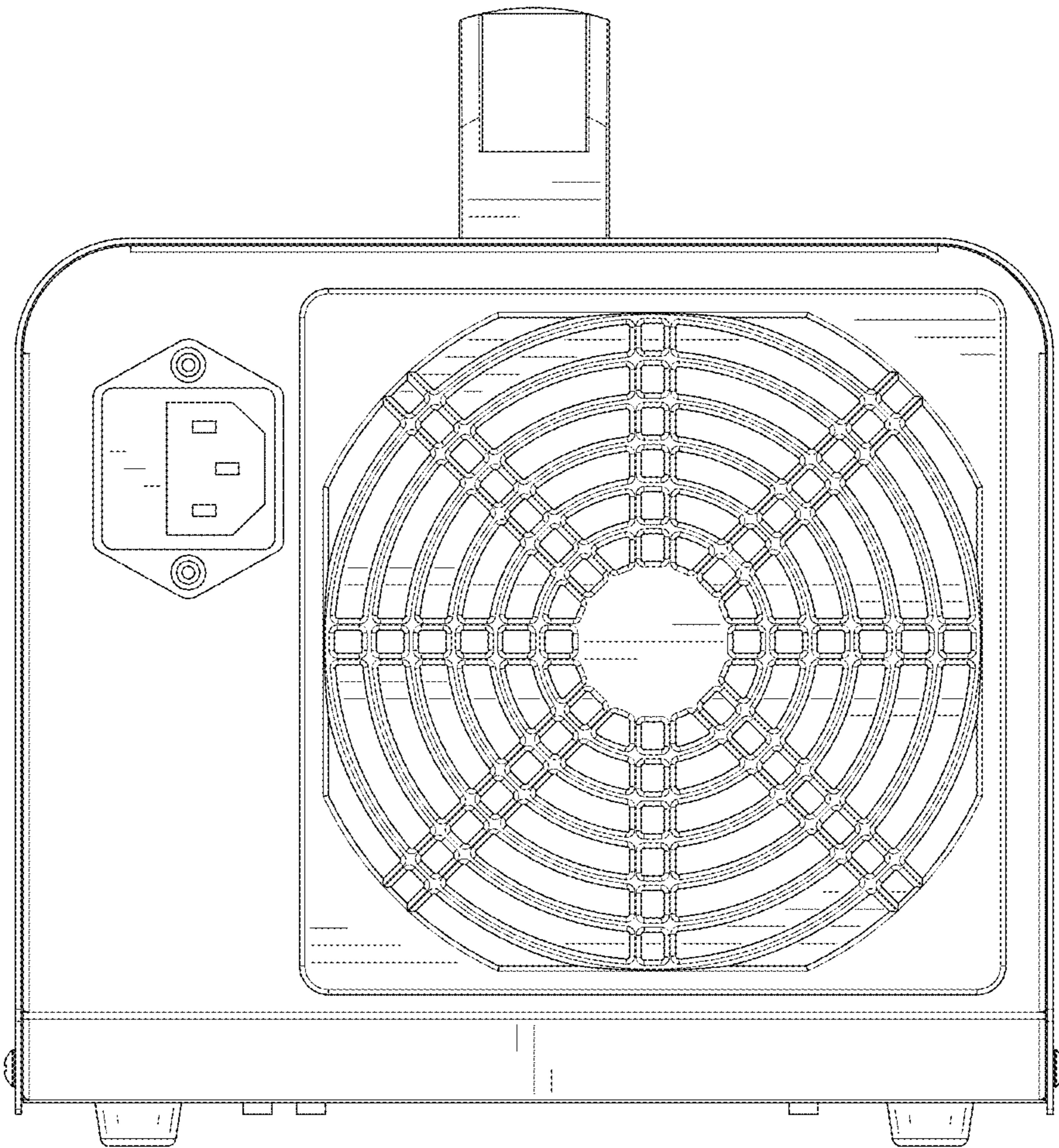


FIG.4

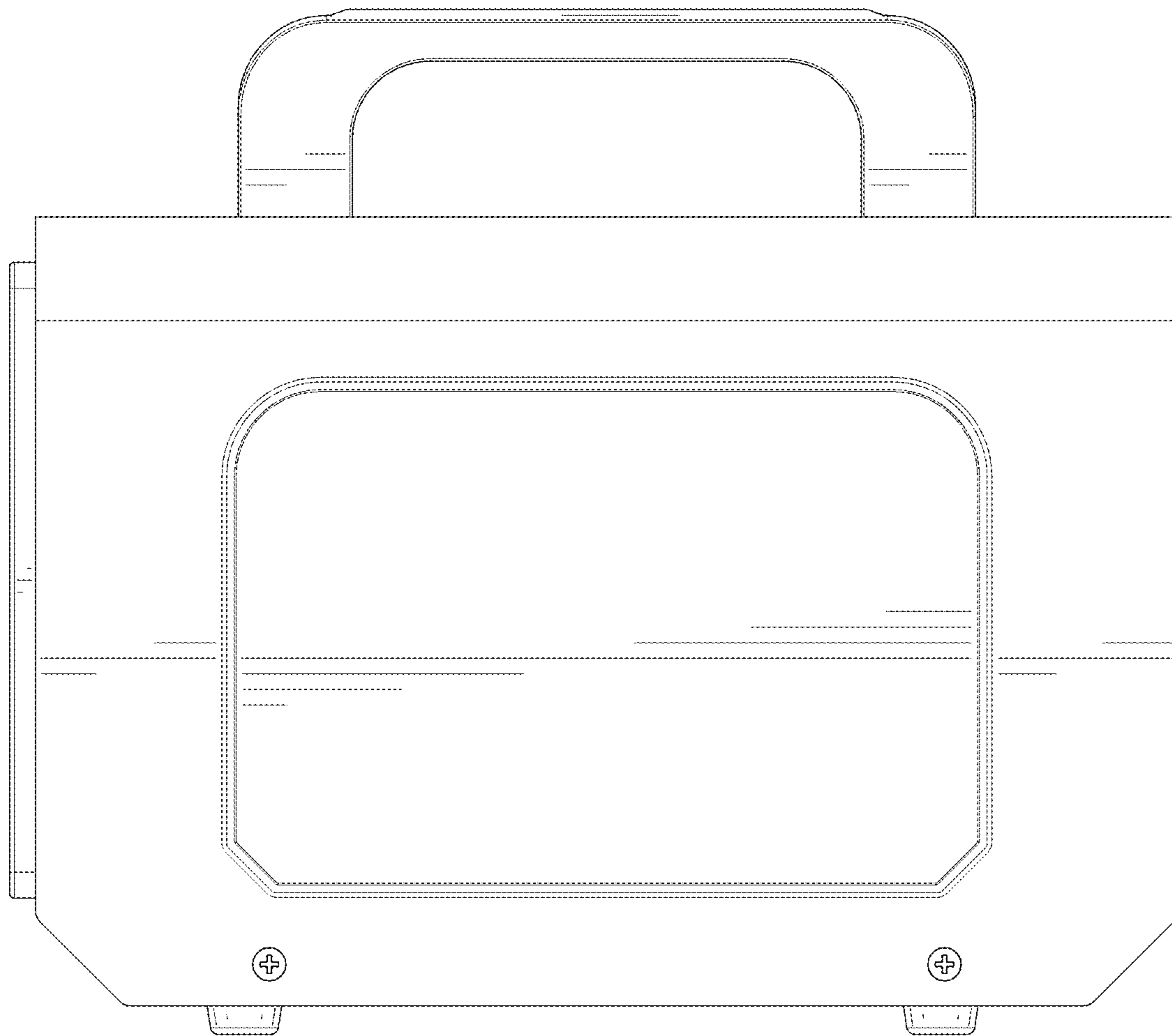


FIG.5

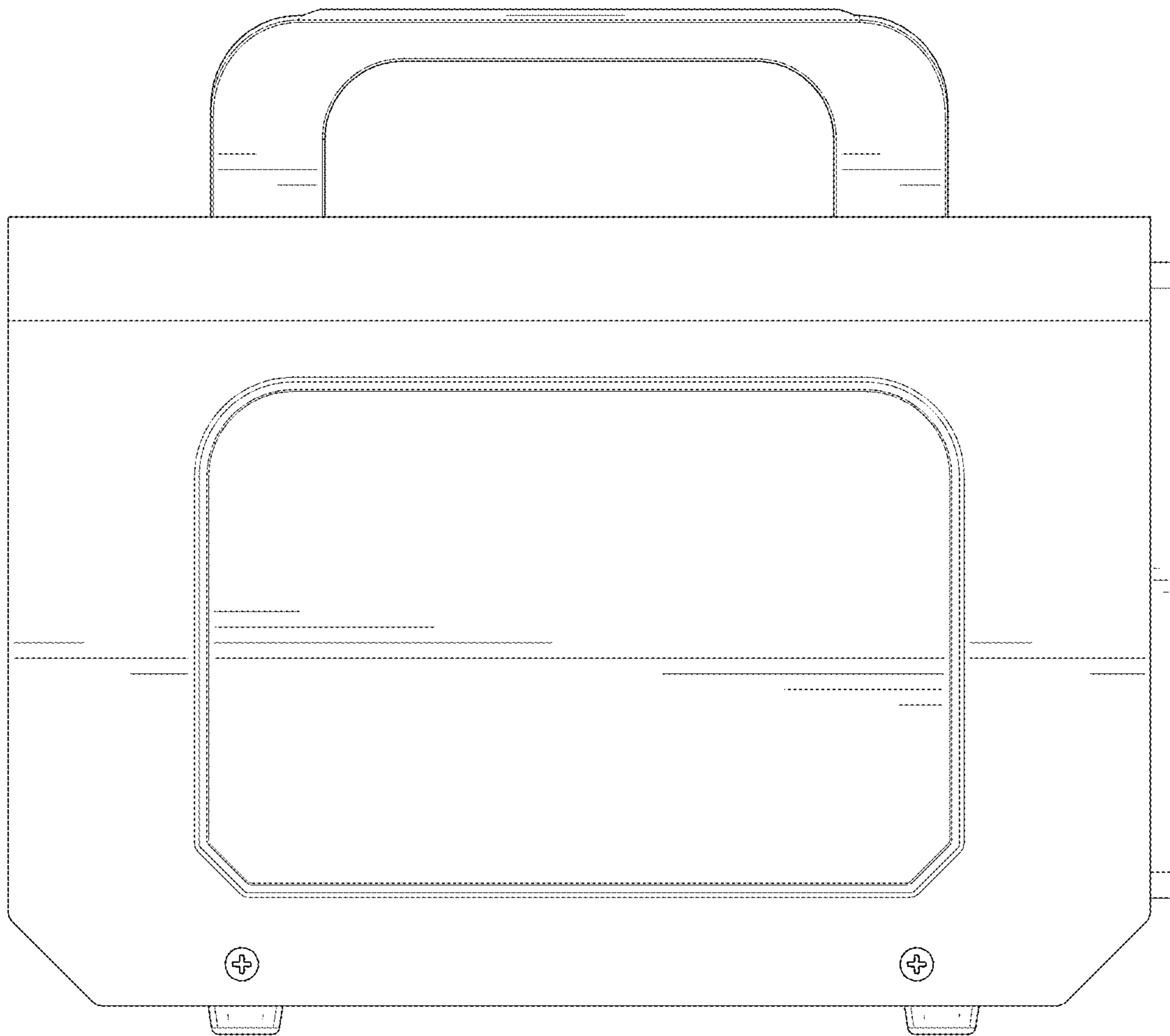


FIG.6

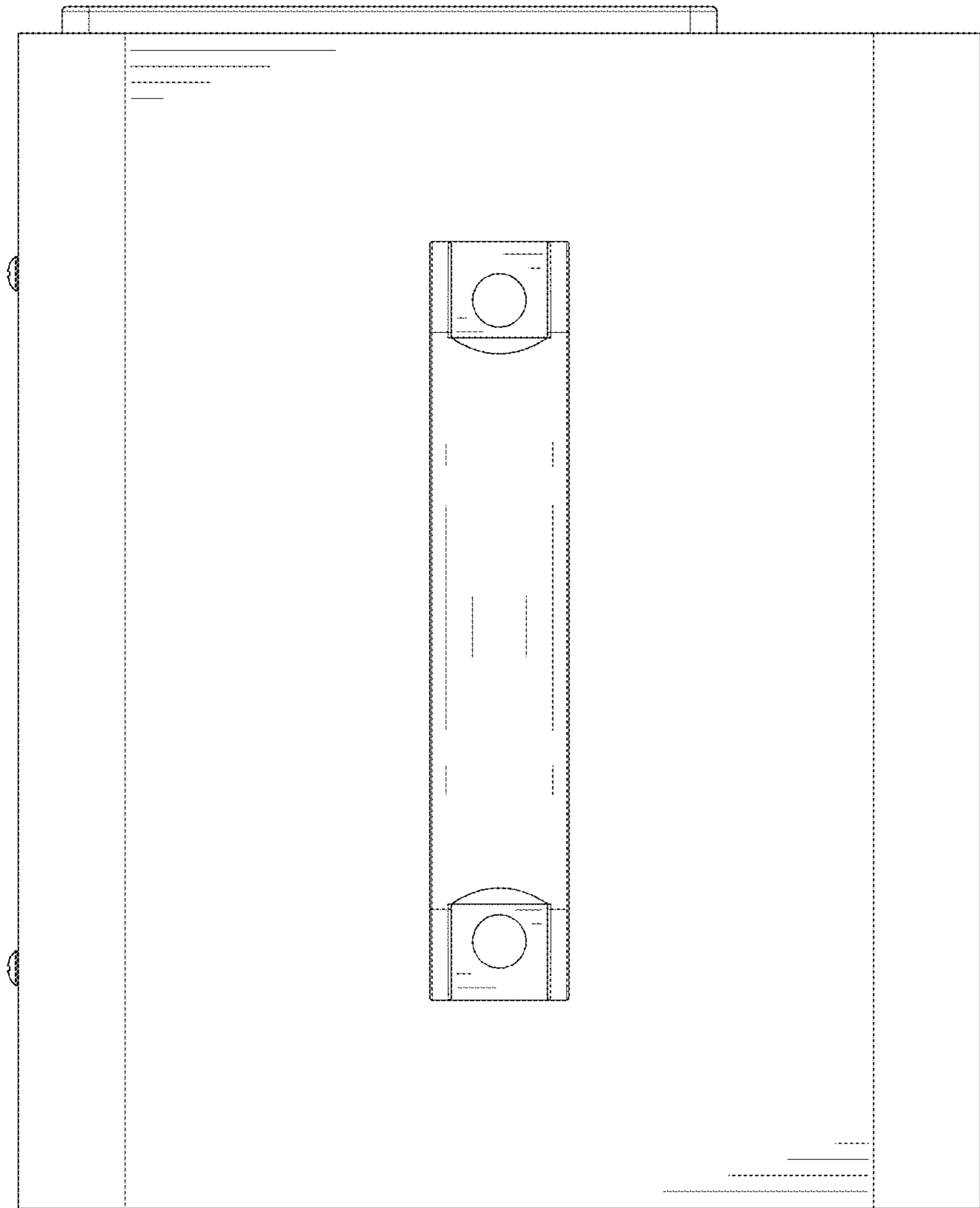


FIG. 7



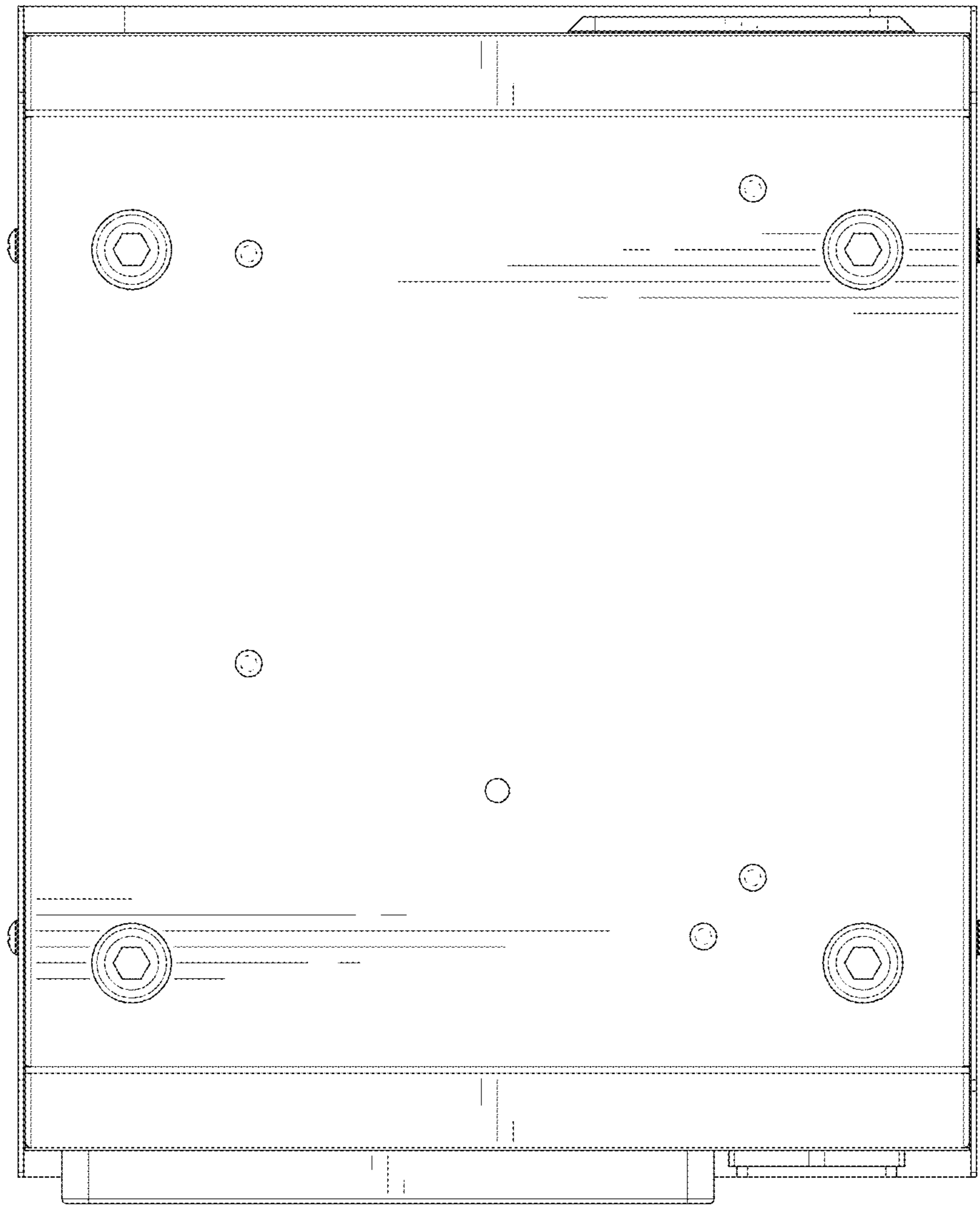


FIG.8