

US00D972101S

(12) **United States Design Patent** (10) **Patent No.:** **US D972,101 S**  
**Lee** (45) **Date of Patent:** **\*\* Dec. 6, 2022**

(54) **AIR PURIFIER**  
(71) Applicant: **Bloomy Lotus Ltd**, Hong Kong (HK)  
(72) Inventor: **Leander Lee**, Hong Kong (HK)  
(73) Assignee: **Bloomy Lotus Ltd**, Hong Kong (HK)  
(\*\*) Term: **15 Years**

D819,580 S \* 6/2018 Krishnan ..... D15/138  
D823,450 S \* 7/2018 Seo ..... D23/358  
D824,034 S \* 7/2018 Pushpala ..... D24/186  
D830,856 S \* 10/2018 Golnik ..... D10/70  
D855,567 S \* 8/2019 Cai ..... D13/108  
D865,685 S \* 11/2019 Adenau ..... D13/174  
D869,391 S \* 12/2019 Roberts ..... D13/108

(Continued)

(21) Appl. No.: **29/757,466**  
(22) Filed: **Nov. 5, 2020**

**FOREIGN PATENT DOCUMENTS**

HK 1800677-0002 \* 9/2018  
TW 190855-0001 \* 9/2017

(30) **Foreign Application Priority Data**

May 8, 2020 (HK) ..... 2016117.0

(51) **LOC (13) Cl.** ..... **23-04**

(52) **U.S. Cl.**  
USPC ..... **D23/364**

(58) **Field of Classification Search**  
USPC ..... D23/332, 336, 356, 359, 364-365, 378,  
D23/499; D14/204, 214, 240, 314, 496;  
D16/203-216  
CPC ..... F24F 1/029; F24F 1/035; F24F 1/0287;  
F24F 6/06; F24F 6/14; F24F 13/06; F24F  
13/20; F24F 13/222; F24F 3/16; F24F  
3/1405; A61L 9/03

See application file for complete search history.

(56) **References Cited**

**U.S. PATENT DOCUMENTS**

D350,192 S \* 8/1994 Patel ..... D9/504  
D490,182 S \* 5/2004 Benensohn ..... D26/89  
D565,715 S \* 4/2008 Wu ..... D23/366  
D640,823 S \* 6/2011 Hokazono ..... D26/89  
D655,849 S \* 3/2012 Sabernig ..... D26/85  
D655,850 S \* 3/2012 Sabernig ..... D26/85  
D665,491 S \* 8/2012 Goel ..... D23/386  
D717,674 S \* 11/2014 Vu ..... D10/70  
D756,501 S \* 5/2016 Park ..... D23/385  
D796,682 S \* 9/2017 Falk ..... D24/186

**OTHER PUBLICATIONS**

G-Color Cor Air Freshener, first available Sep. 17, 2019[online],  
[site visited Apr. 20, 2022]. Available from internet, URL:<<https://www.amazon.com/G-Color-Freshener-Aromatherapy-2Eucalyptus-Supplement/dp/B07Y1NMDW1>> (Year: 2019).\*

*Primary Examiner* — Barbara Fox  
*Assistant Examiner* — Jamaal Rasheed

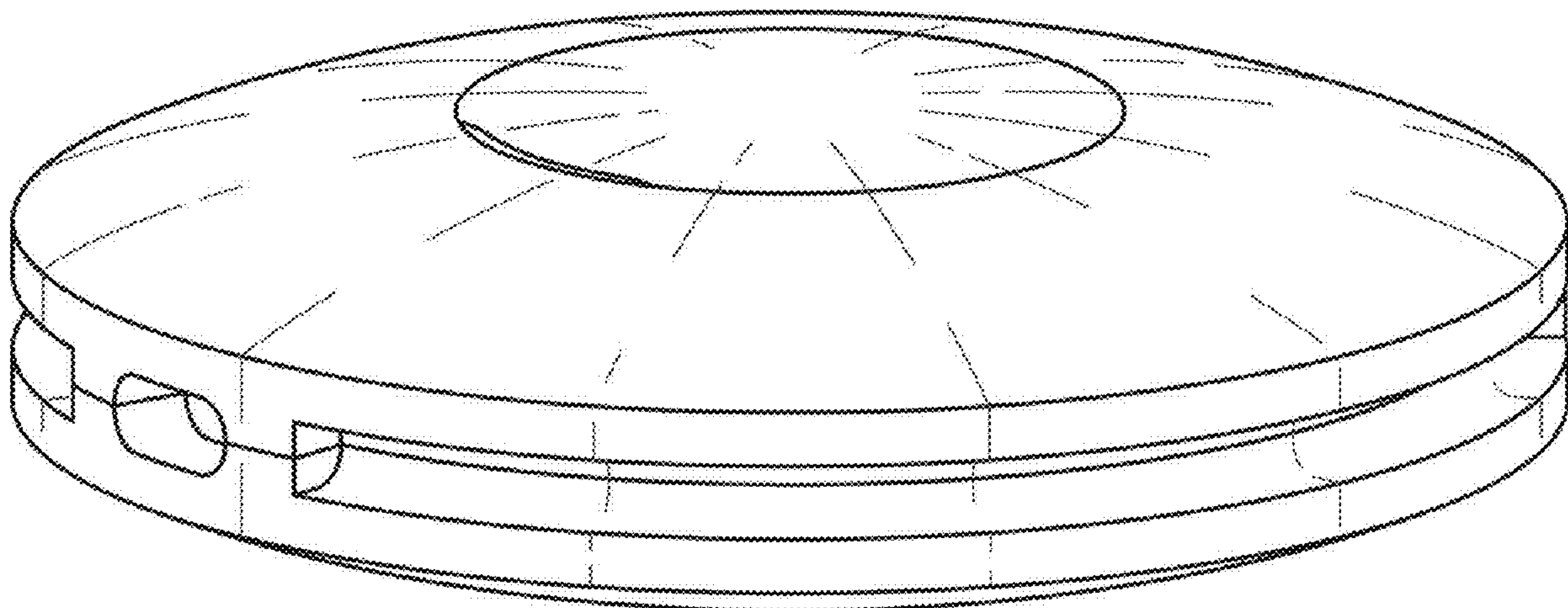
(57) **CLAIM**

The ornamental design for an air purifier, as shown and described.

**DESCRIPTION**

FIG. 1 is a front elevational view of an air purifier showing my new design;  
FIG. 2 is a rear elevational view thereof;  
FIG. 3 is a left side view thereof;  
FIG. 4 is a right side view thereof;  
FIG. 5 is a top plan view thereof;  
FIG. 6 is a bottom plan view thereof;  
FIG. 7 is a top, front and right side perspective view thereof;  
FIG. 8 is a bottom, rear and left side perspective view thereof; and,  
FIG. 9 is a top and front perspective view thereof.

**1 Claim, 9 Drawing Sheets**



(56)

**References Cited**

U.S. PATENT DOCUMENTS

D884,129 S *	5/2020	Hammes .....	D23/264
D888,903 S *	6/2020	Gunther .....	D23/269
D898,596 S *	10/2020	Golnik .....	D10/70
D911,276 S *	2/2021	Li .....	D13/108
D917,684 S *	4/2021	Jung .....	D23/364

\* cited by examiner

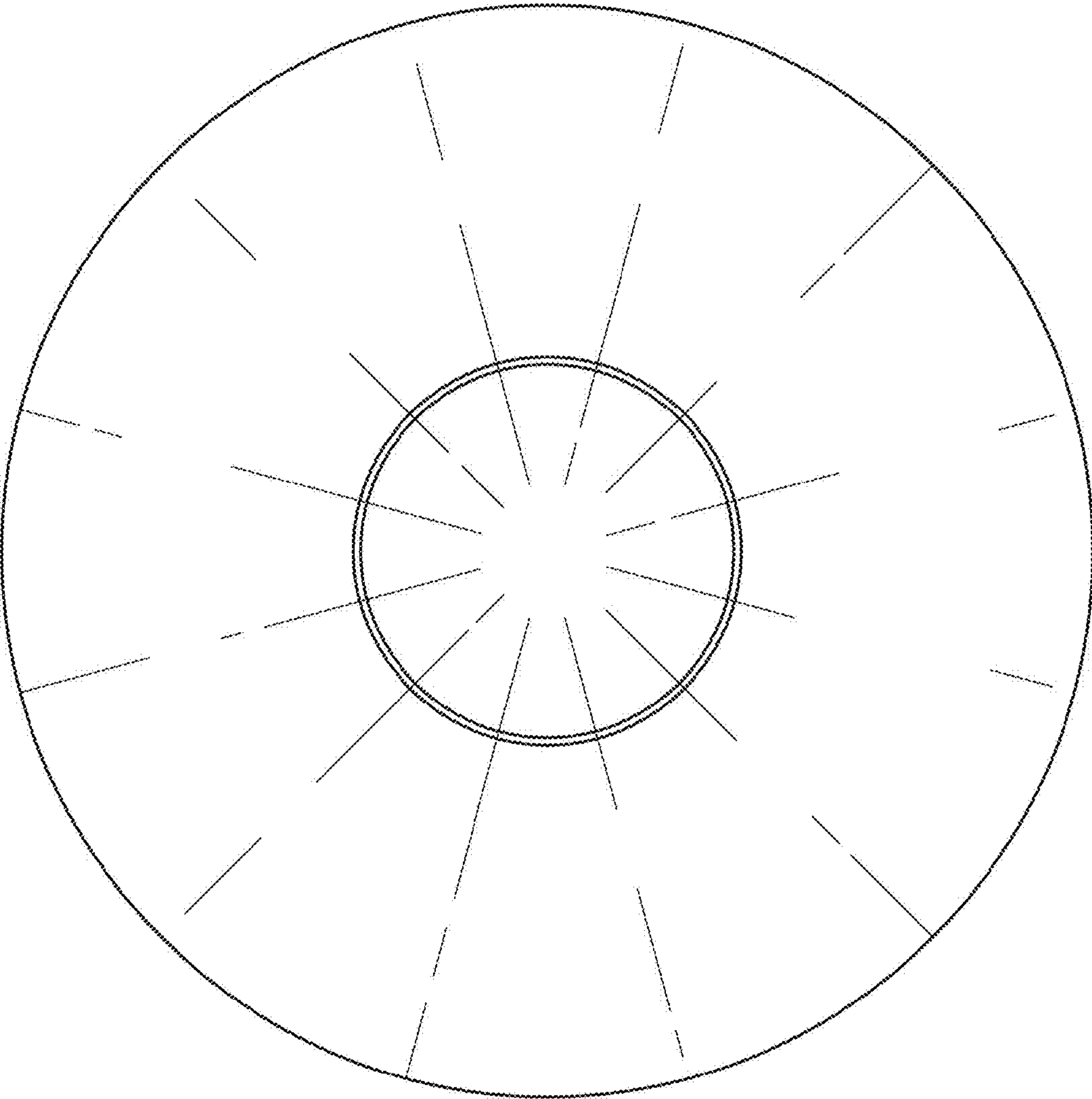


Fig. 1

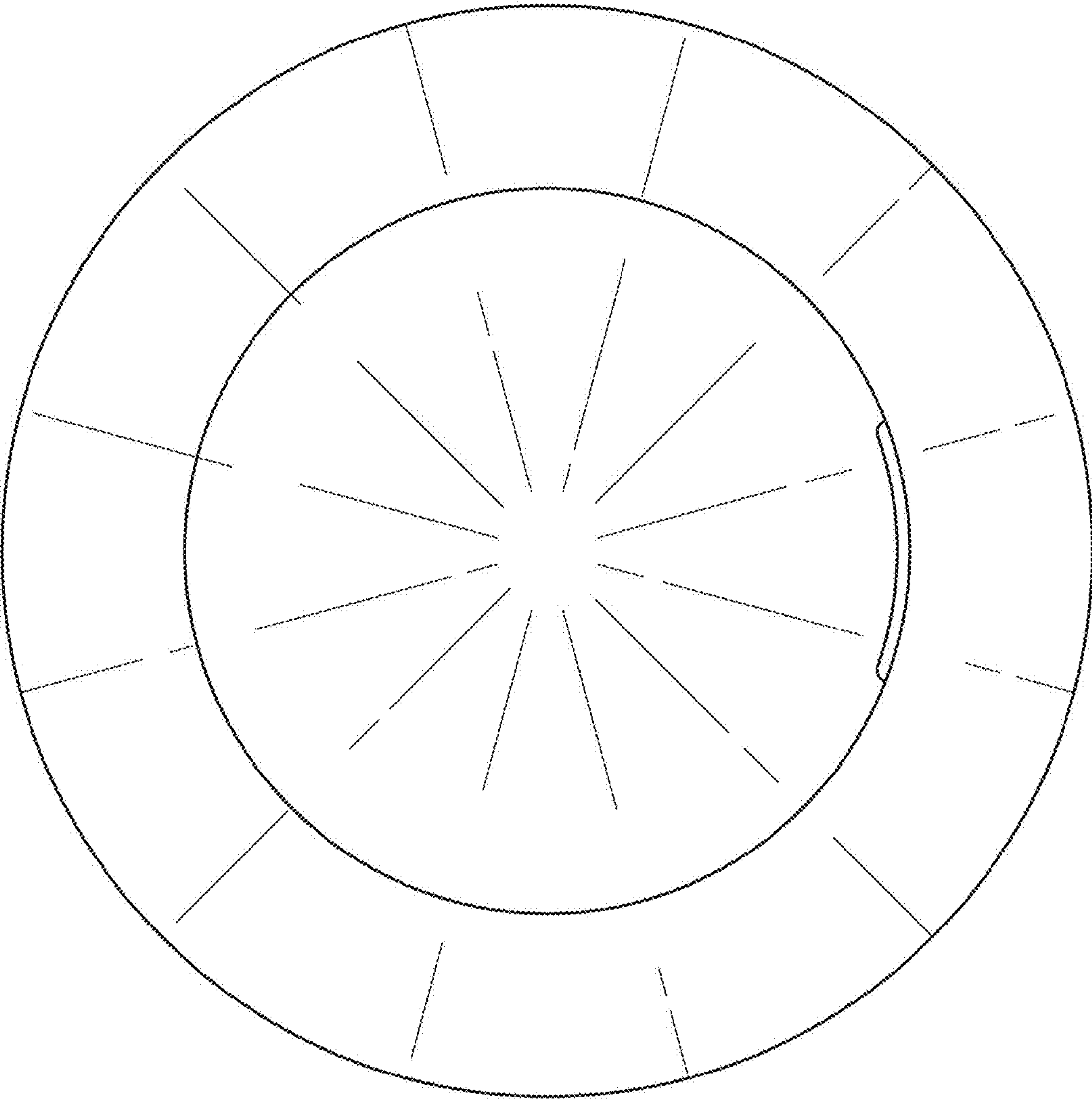


Fig. 2

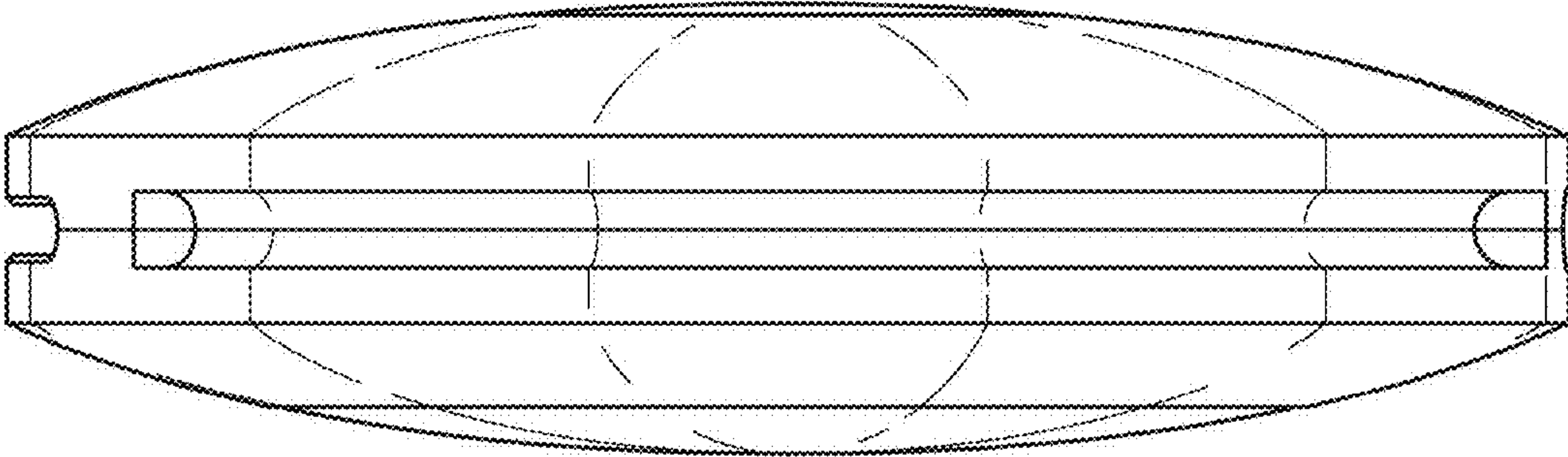


Fig. 3

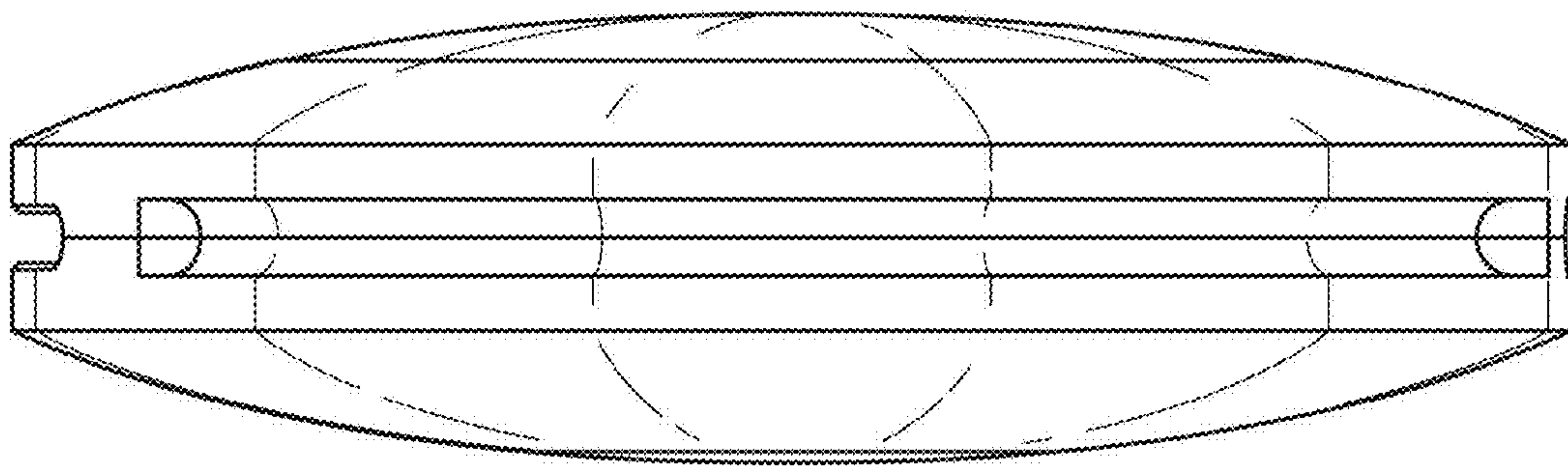


Fig. 4



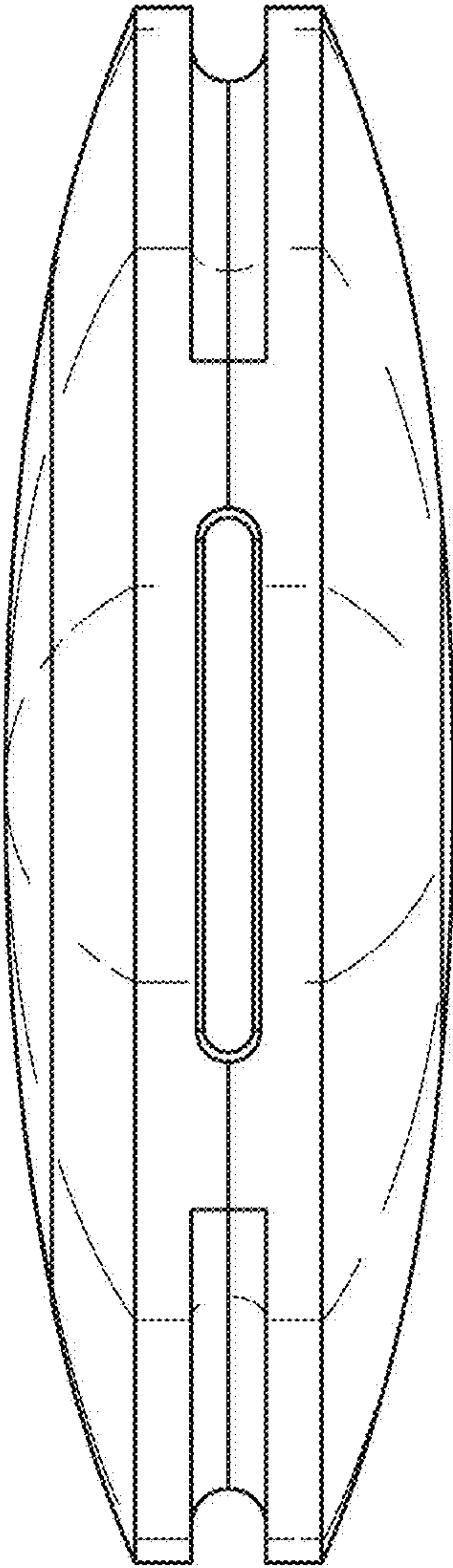


Fig. 5

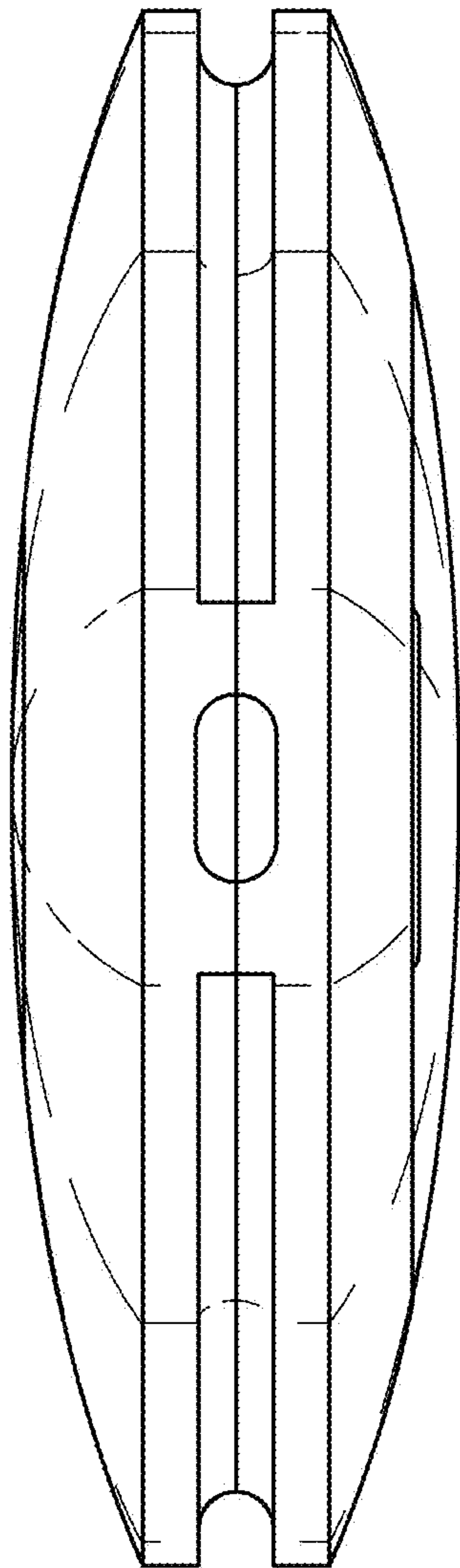


Fig. 6



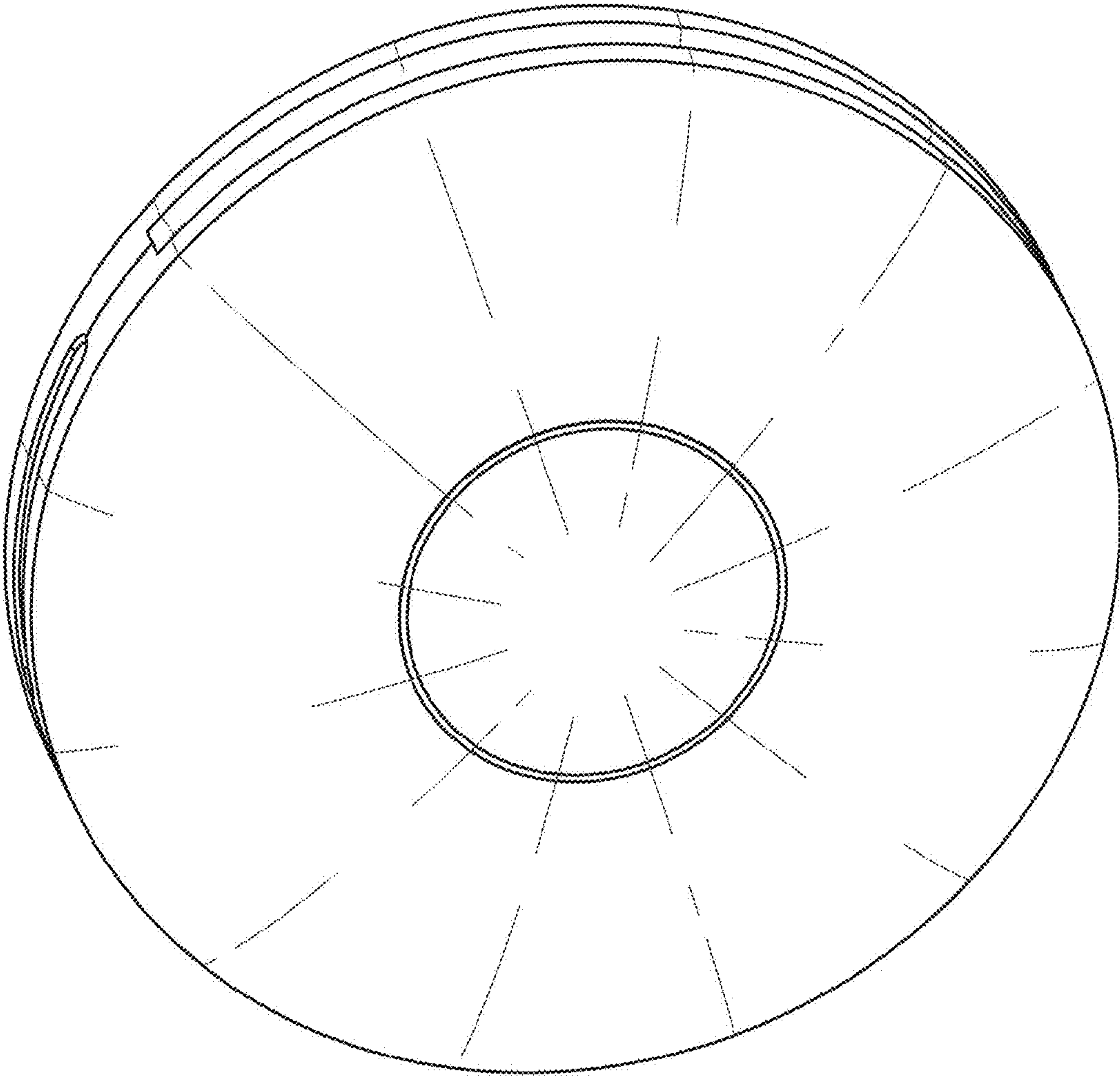


Fig. 7

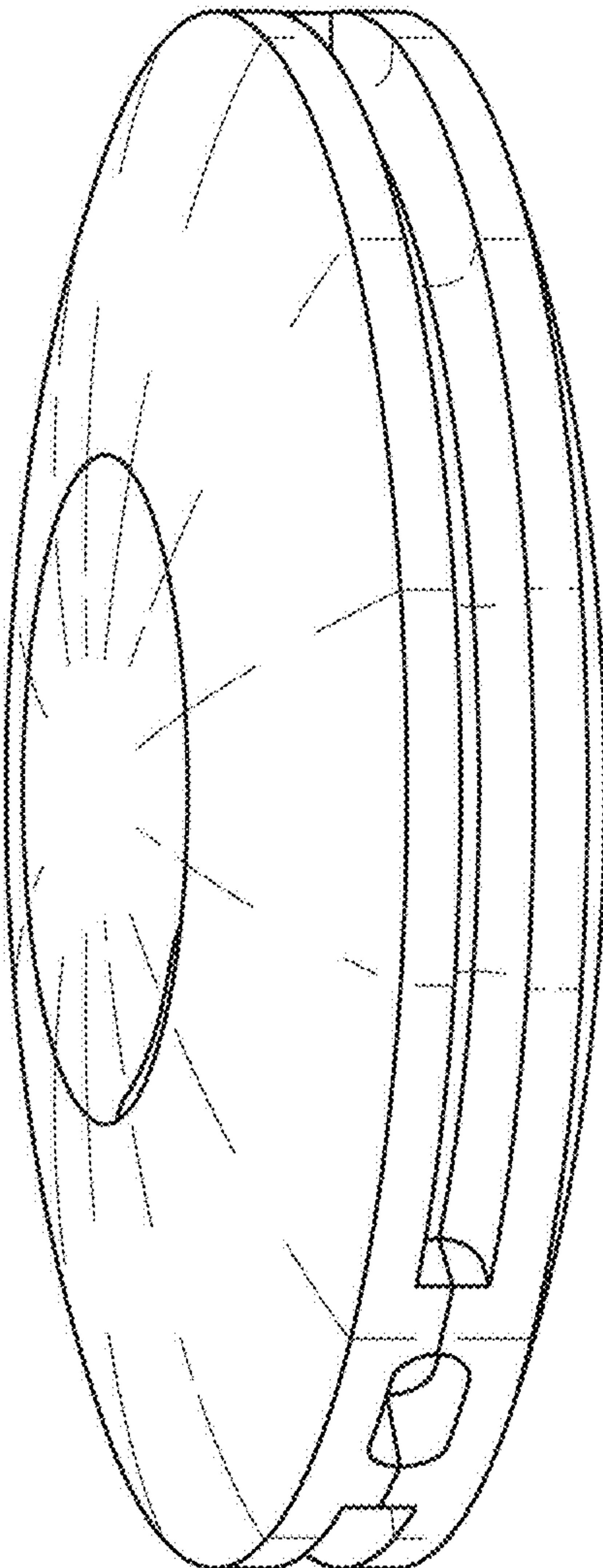


Fig. 8

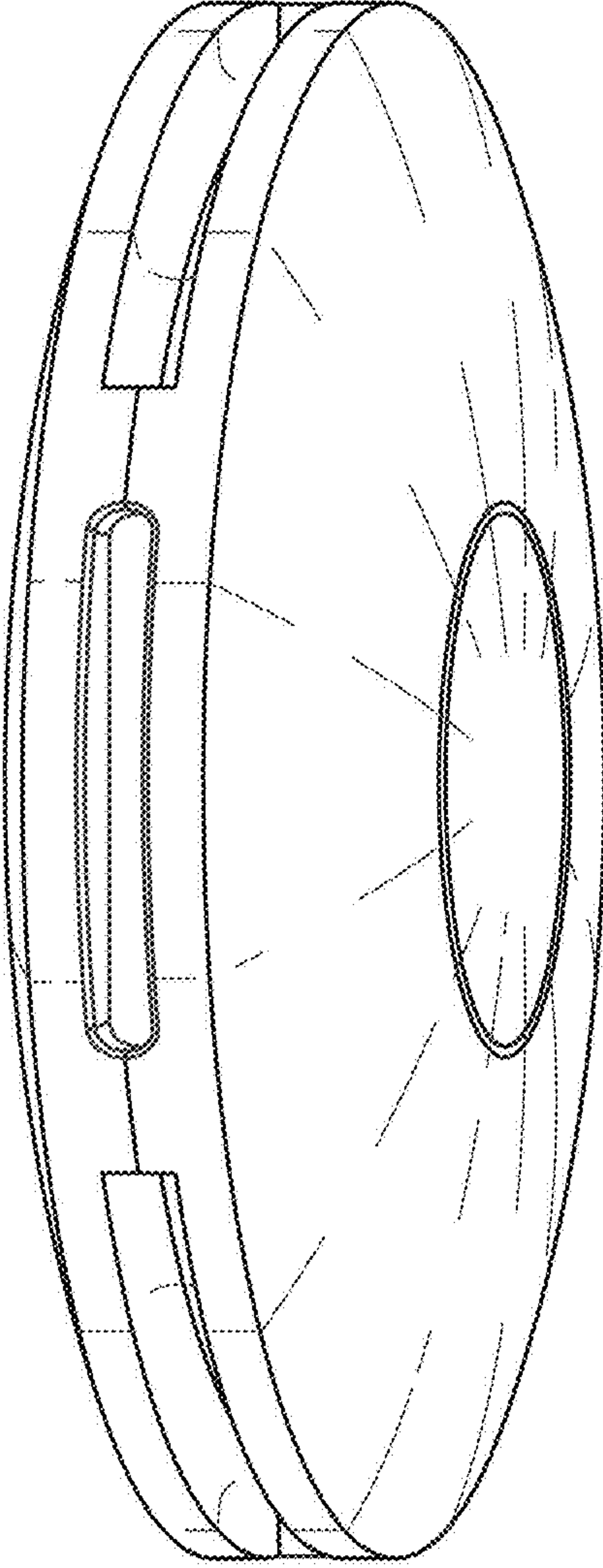


Fig. 9