



US00D972098S

(12) **United States Design Patent**
Yang

(10) **Patent No.:** **US D972,098 S**

(45) **Date of Patent:** **** Dec. 6, 2022**

(54) **COOLING APPARATUS**

(71) Applicant: **Shenzhen Meilian Technology Co., Ltd.**, Shenzhen (CN)

(72) Inventor: **Jiliang Yang**, Shenzhen (CN)

(**) Term: **15 Years**

(21) Appl. No.: **29/821,617**

(22) Filed: **Dec. 31, 2021**

(51) **LOC (13) Cl.** **23-04**

(52) **U.S. Cl.**
USPC **D23/351**

(58) **Field of Classification Search**
USPC D23/333, 351-354, 388
CPC F24F 1/00; F24F 1/0007; F24F 1/02; F24F 1/08; F24F 1/42; F24F 1/56; F24F 1/60; F24F 3/044; F24F 3/048; F24F 3/16; G05D 23/1905; G05D 23/1932; G05D 23/1902; G05D 23/1931; G05B 19/0426; G05B 19/409; G05B 15/02

See application file for complete search history.

(56) **References Cited**

U.S. PATENT DOCUMENTS

| | | | |
|--------------|---------|-----------------|---------|
| D536,429 S | 2/2007 | Bushee | |
| D590,487 S * | 4/2009 | Chen | D23/333 |
| D603,497 S * | 11/2009 | Choi | D23/364 |
| D606,645 S * | 12/2009 | Orihara | D23/366 |
| D618,113 S | 6/2010 | Bandawat et al. | |
| D673,665 S * | 1/2013 | Langford | D23/359 |
| D698,018 S * | 1/2014 | Choi | D23/366 |

| | | | |
|--------------|---------|--------|----------------------|
| D719,251 S * | 12/2014 | Farone | D23/364 |
| D751,184 S * | 3/2016 | Farone | D23/364 |
| D807,997 S * | 1/2018 | Seo | D23/364 |
| D852,344 S * | 6/2019 | Hua | A61L 9/16 D23/364 |
| D912,796 S * | 3/2021 | Huang | D23/364 |
| D913,466 S * | 3/2021 | Shen | D23/351 |
| D933,179 S * | 10/2021 | Fu | D23/333 |
| D949,308 S * | 4/2022 | Huang | D23/359 |

* cited by examiner

Primary Examiner — Natasha Vujcic

(74) *Attorney, Agent, or Firm* — Che-Yang Chen; Law Office of Michael Chen

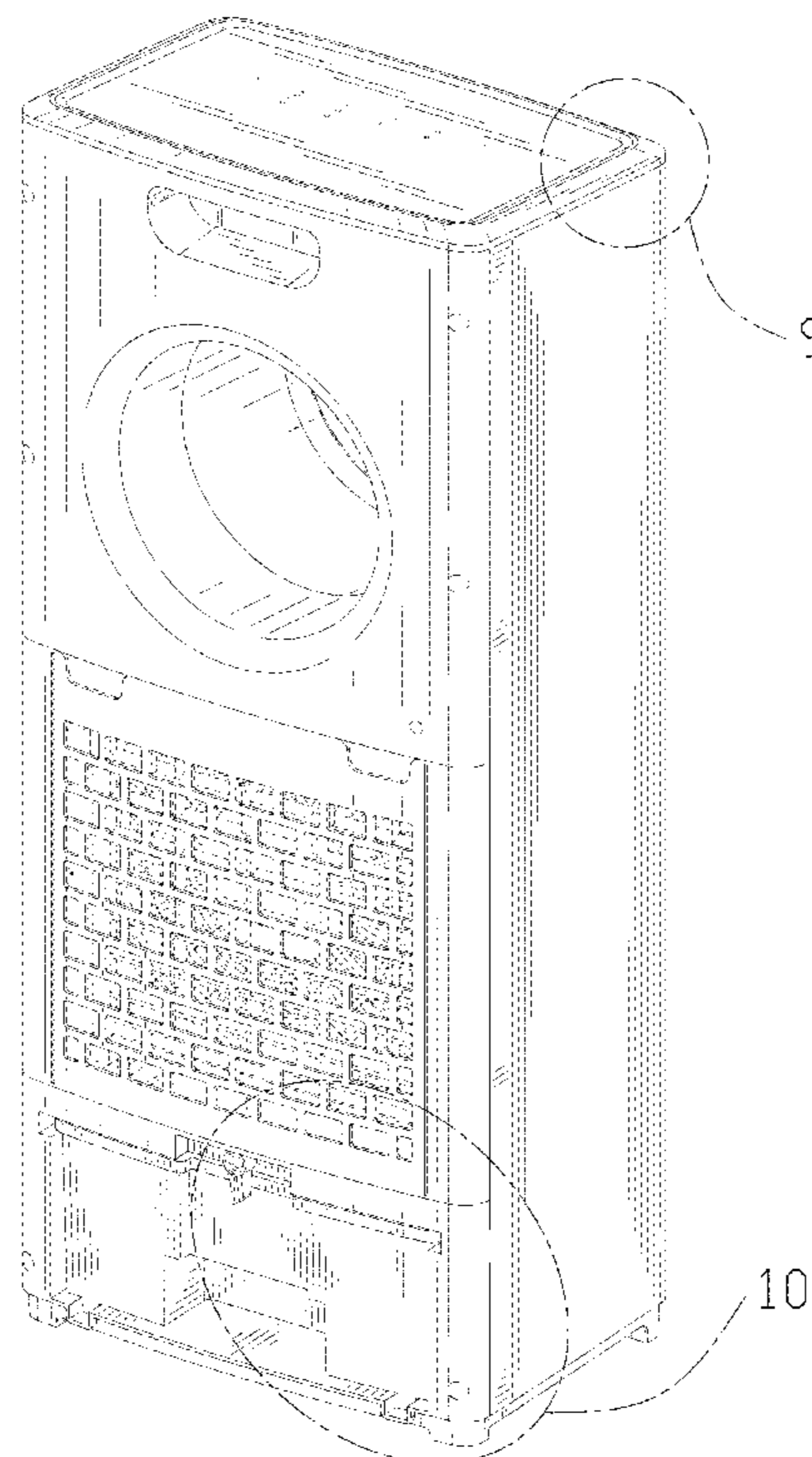
(57) **CLAIM**

I claim, the ornamental design for a cooling apparatus, as shown and described.

DESCRIPTION

FIG. 1 is a perspective view of a cooling apparatus showing my new design;
FIG. 2 is a perspective view thereof from another angle;
FIG. 3 is a front elevational view thereof;
FIG. 4 is a rear elevational view thereof;
FIG. 5 is a left side elevational view thereof;
FIG. 6 is a right side elevational view thereof;
FIG. 7 is a top plan view thereof;
FIG. 8 is a bottom plan view thereof;
FIG. 9 is a partial enlarged view of portion 9 in FIG. 1; and,
FIG. 10 is a partial enlarged view of portion 10 in FIG. 1.

1 Claim, 10 Drawing Sheets



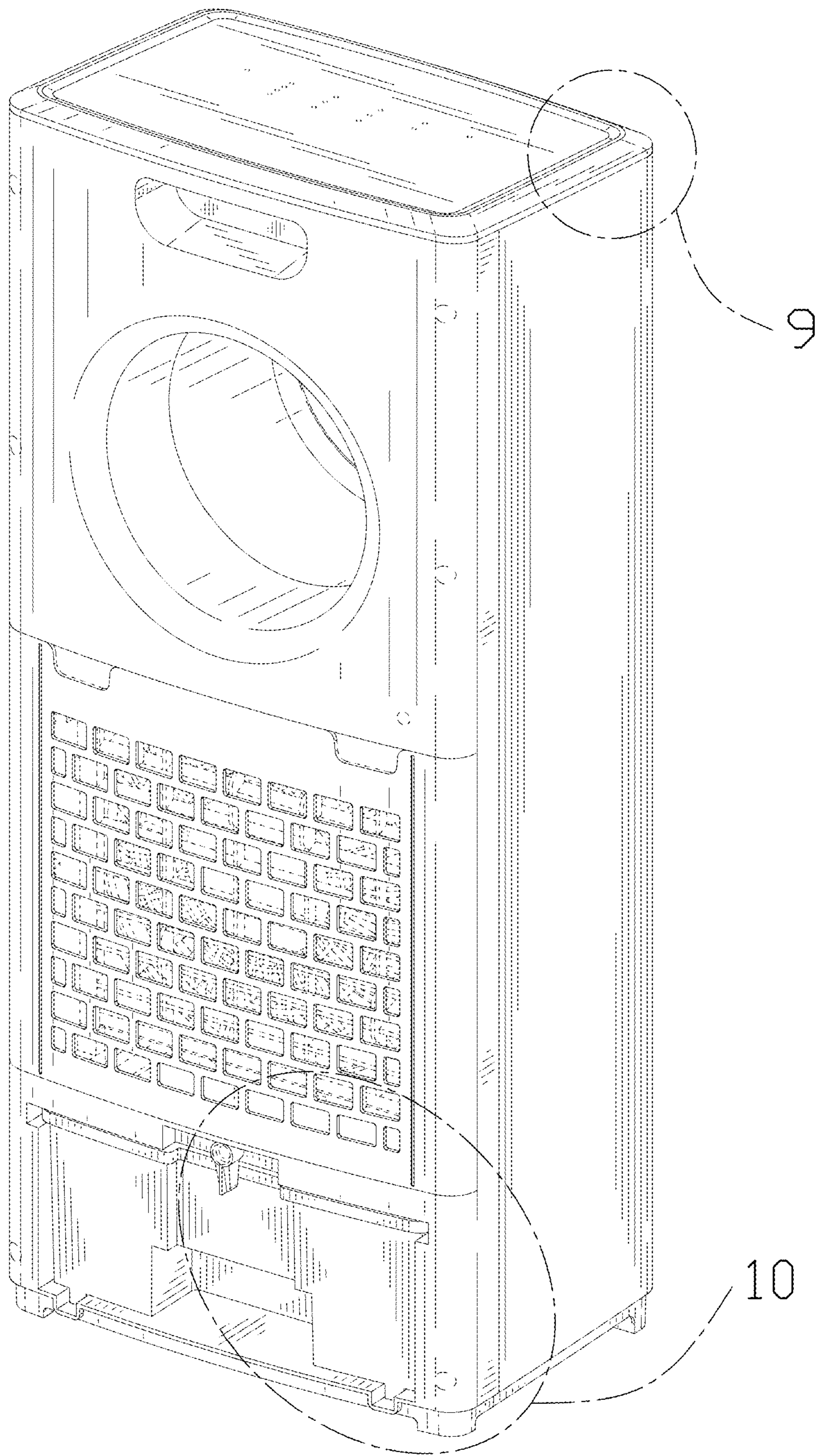


FIG. 1

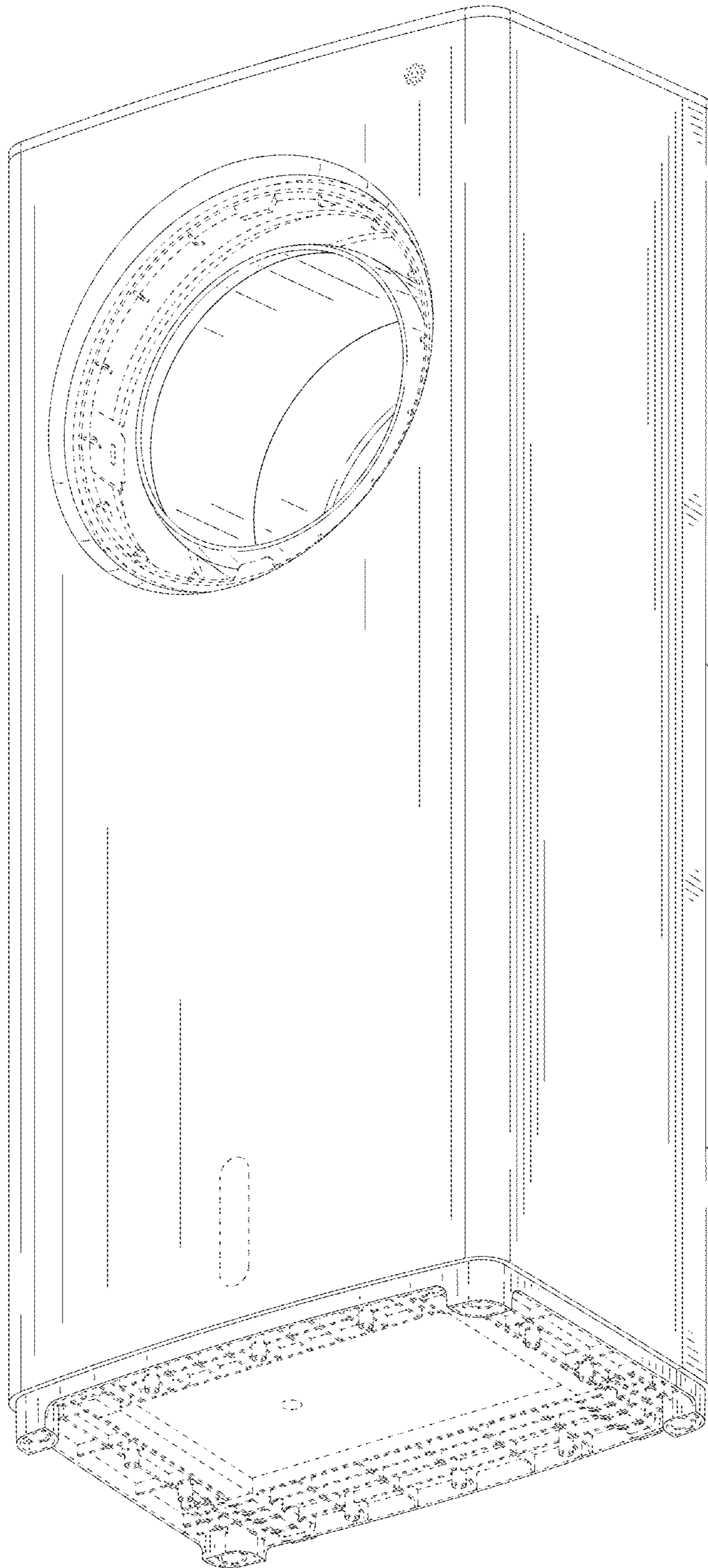


FIG. 2

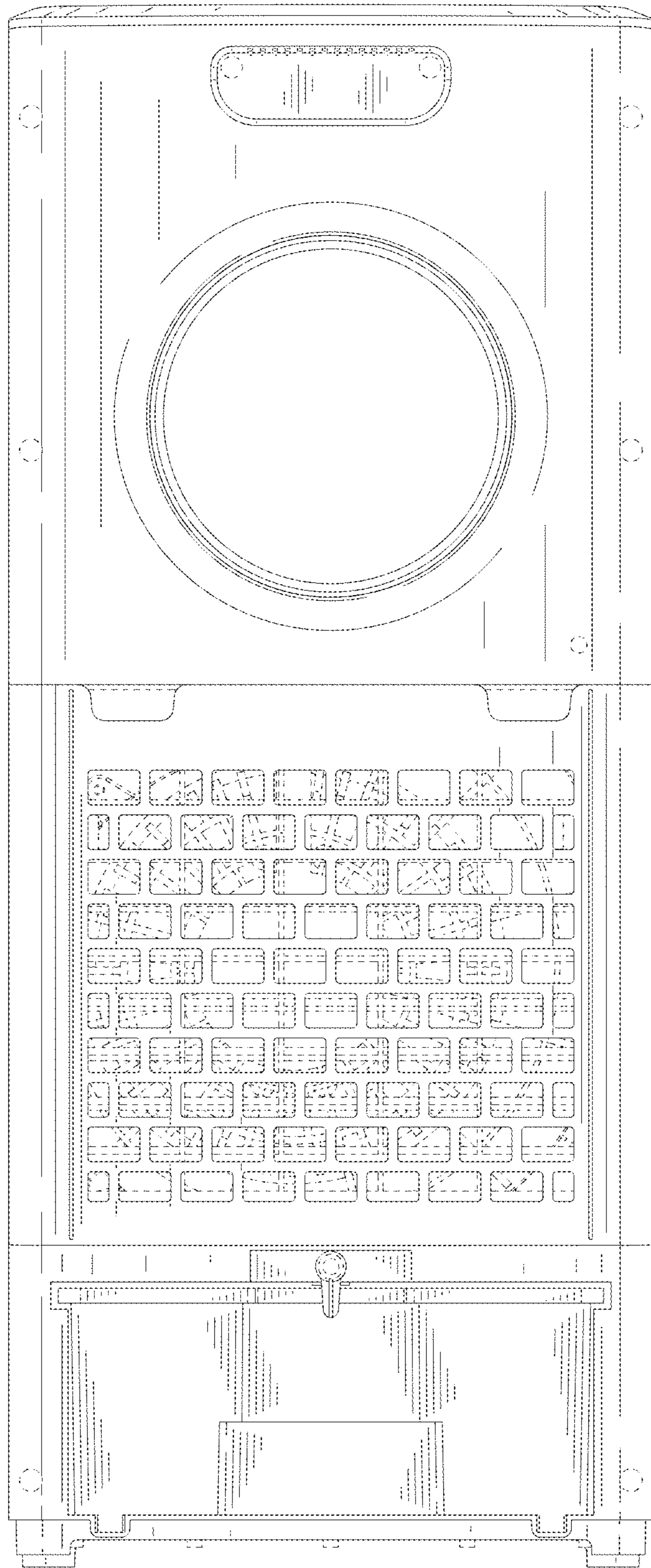


FIG. 3

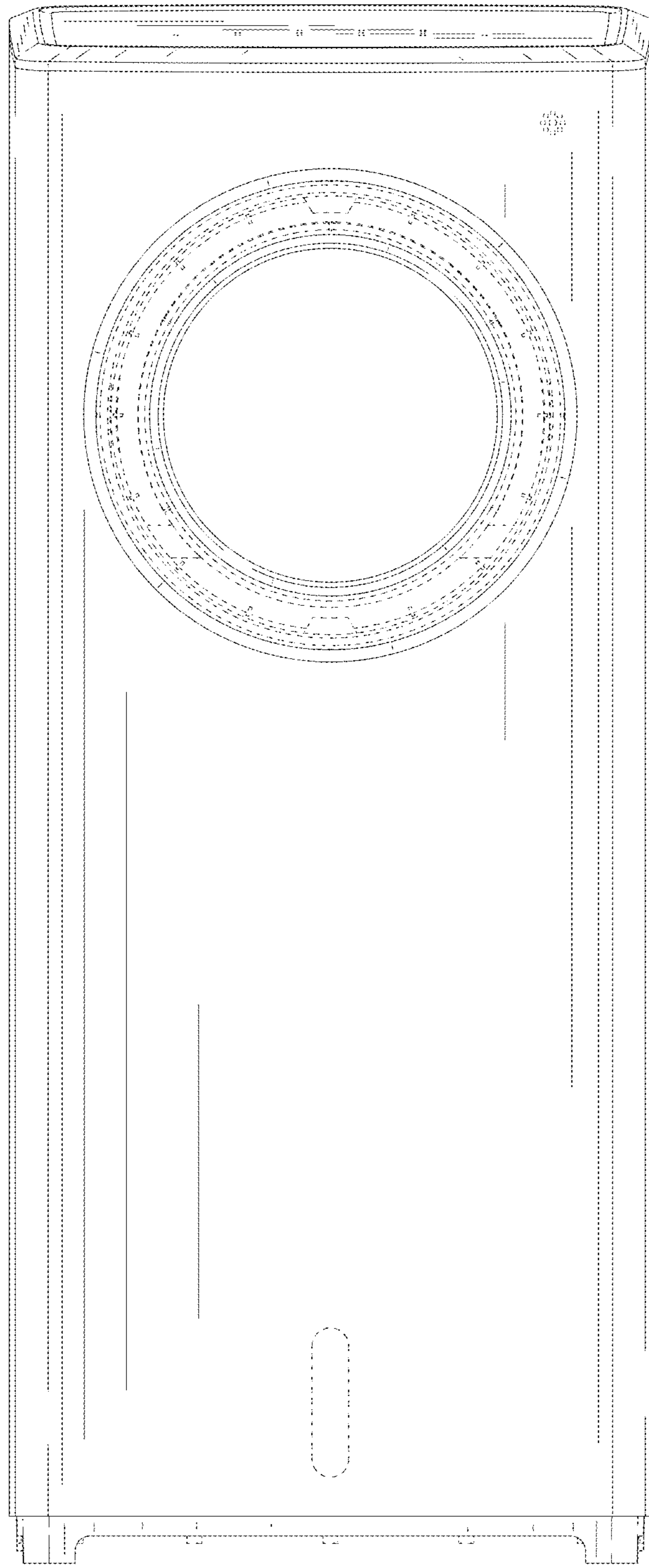


FIG. 4

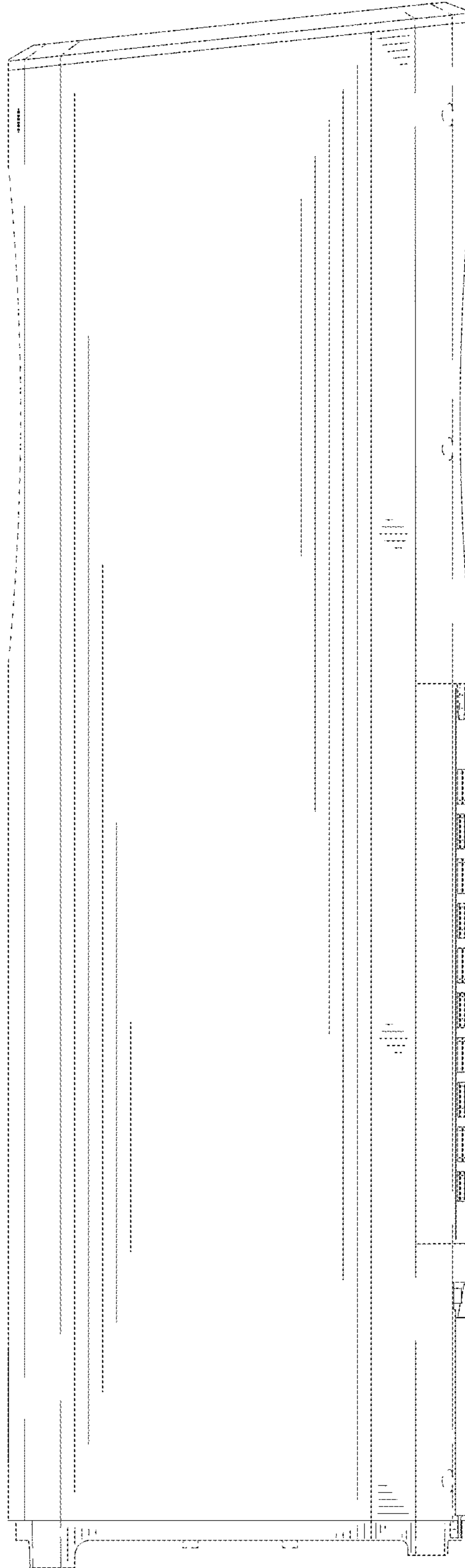


FIG. 5

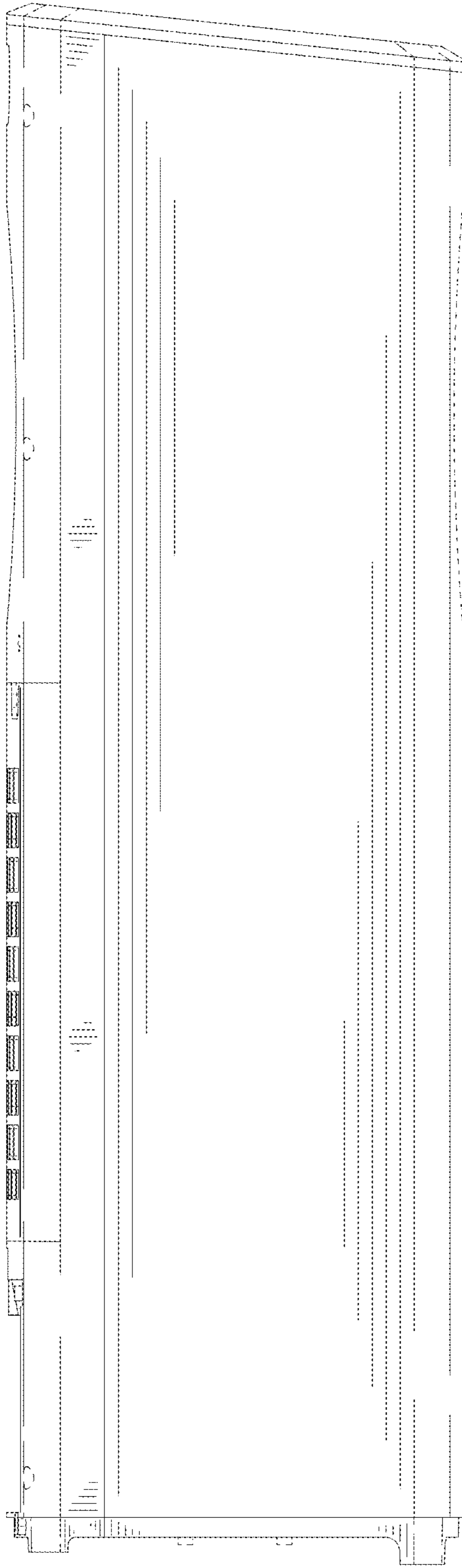


FIG. 6

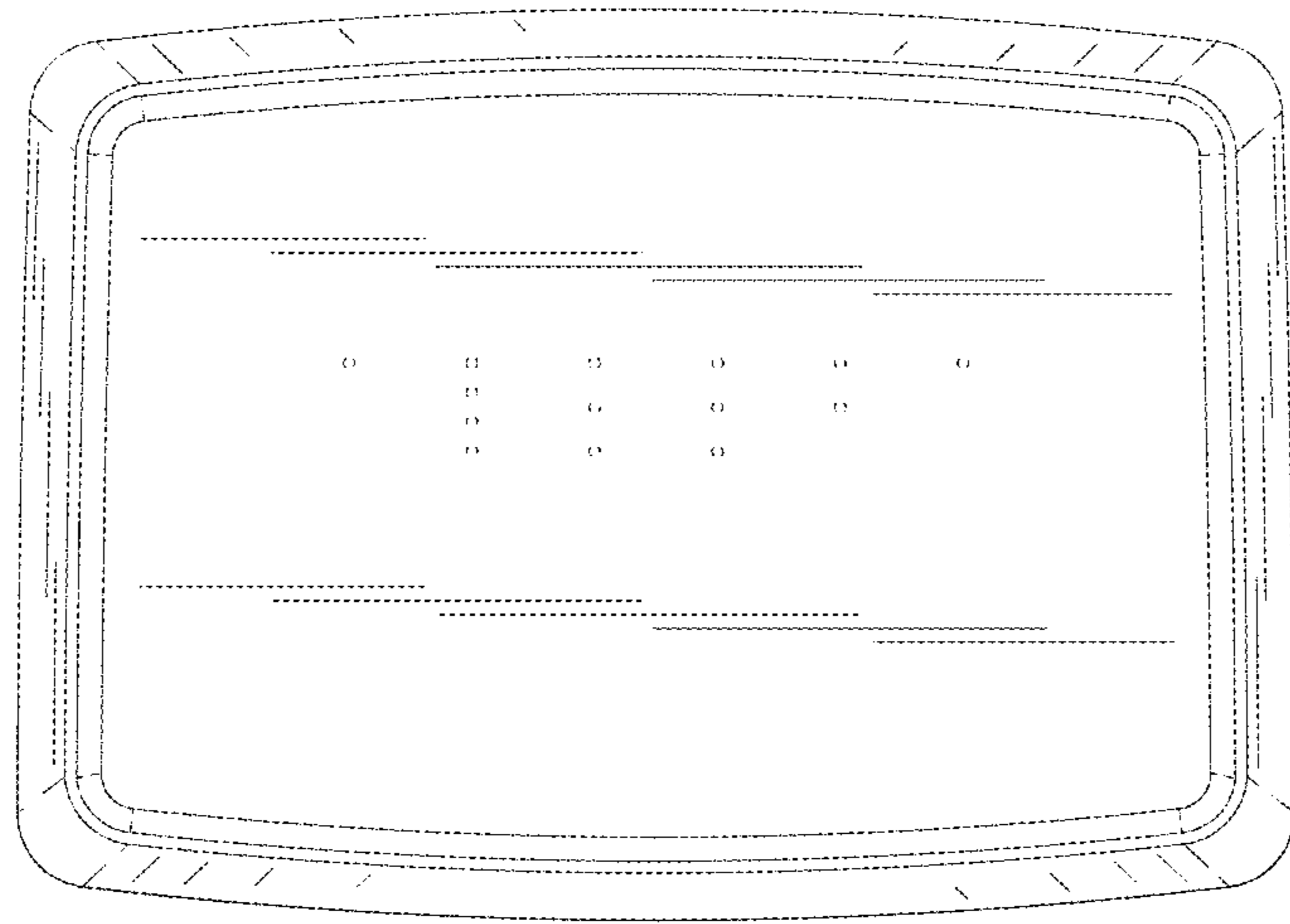


FIG. 7

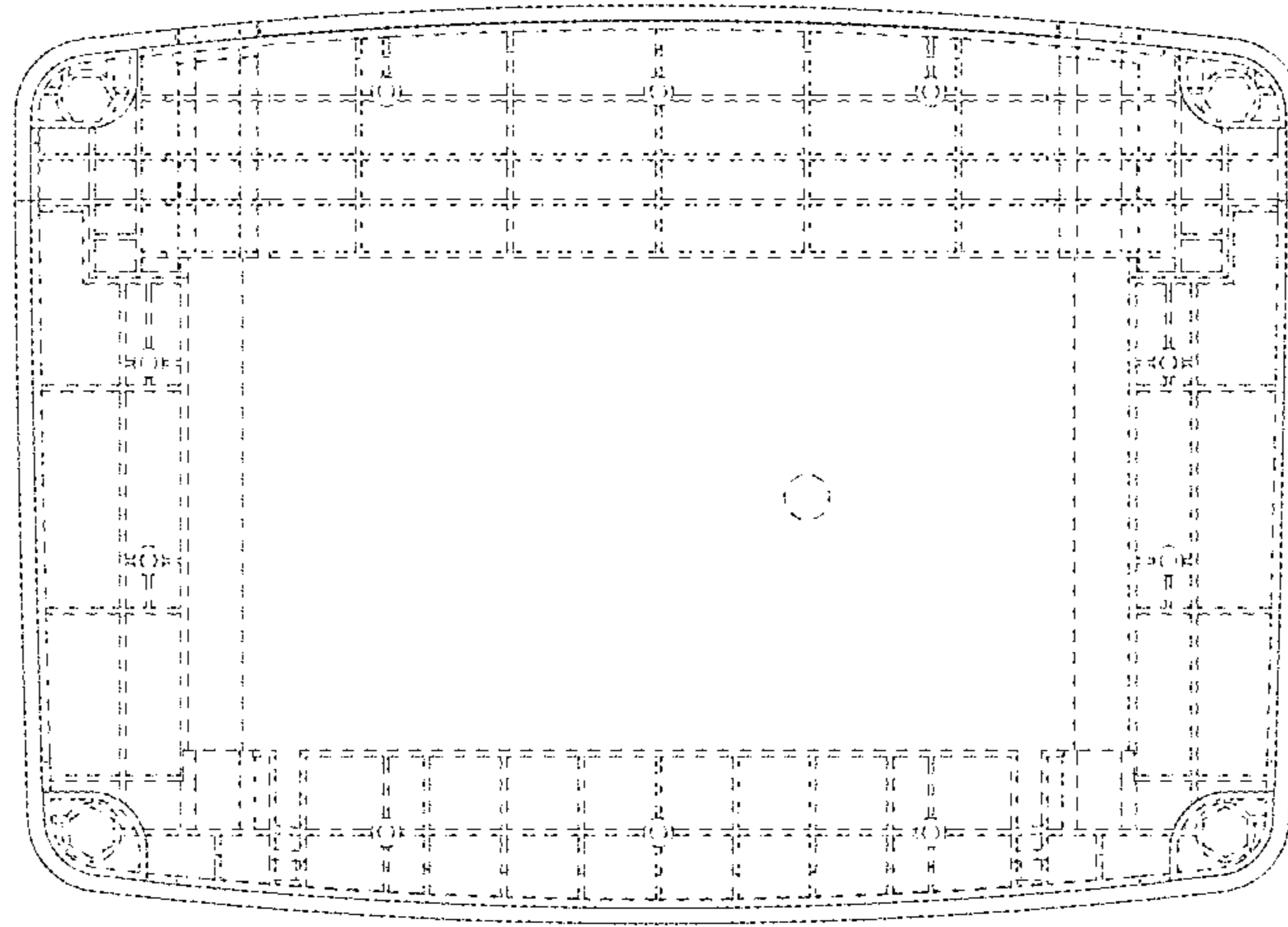


FIG. 8

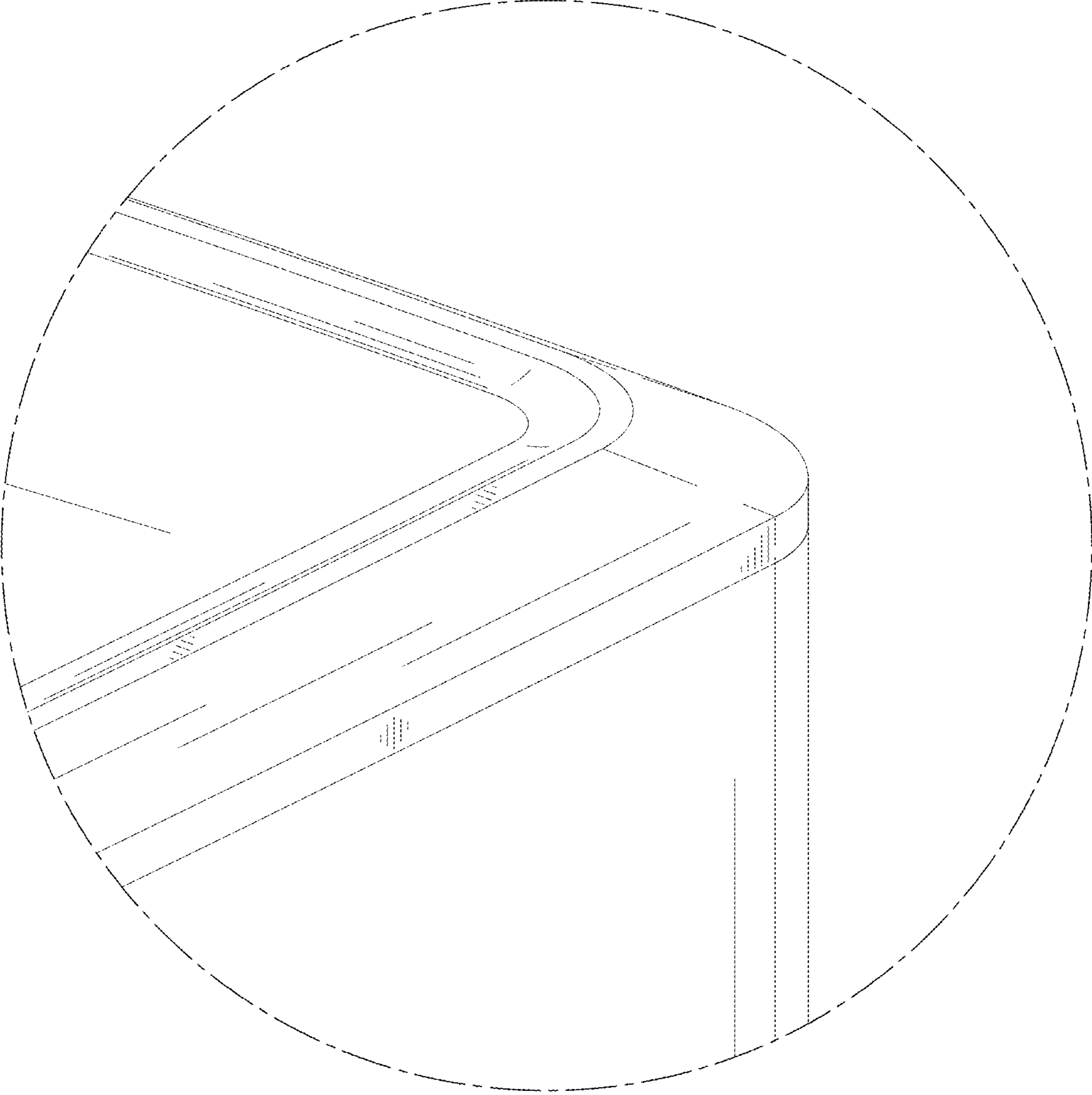


FIG. 9

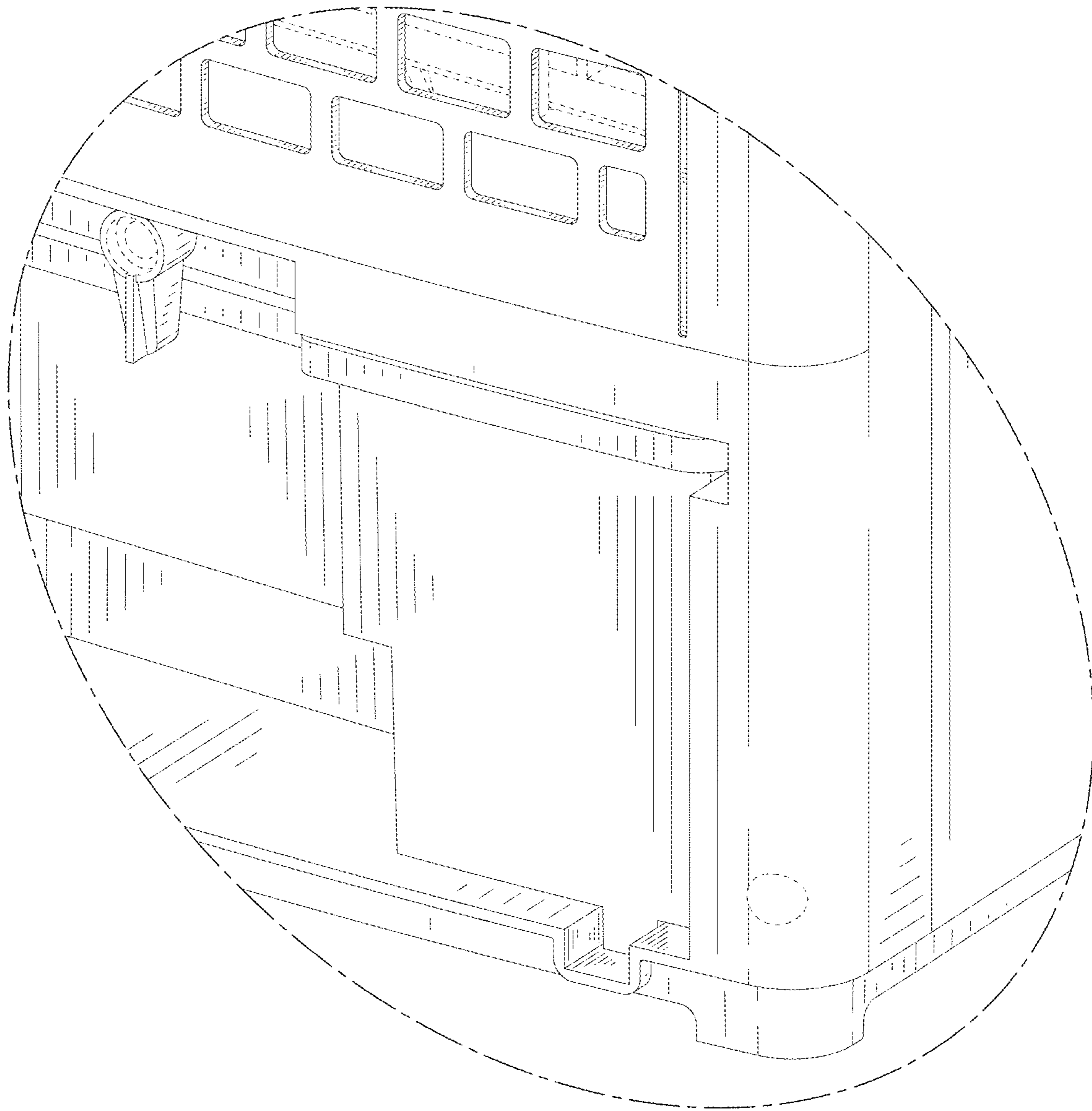


FIG. 10