



US00D972097S

(12) **United States Design Patent**
Yang

(10) **Patent No.:** **US D972,097 S**

(45) **Date of Patent:** **** Dec. 6, 2022**

(54) **COOLING APPARATUS**

(71) Applicant: **Shenzhen Meilian Technology Co., Ltd.**, Shenzhen (CN)

(72) Inventor: **Jiliang Yang**, Shenzhen (CN)

(**) Term: **15 Years**

(21) Appl. No.: **29/818,090**

(22) Filed: **Dec. 7, 2021**

(51) **LOC (13) Cl.** **23-04**

(52) **U.S. Cl.**
USPC **D23/351**

(58) **Field of Classification Search**
USPC D23/333, 351-354, 359, 364, 388
CPC F24F 1/00; F24F 1/0007; F24F 1/02; F24F 1/08; F24F 1/42; F24F 1/56; F24F 1/60; F24F 3/044; F24F 3/048; F24F 3/16; G05D 23/1905; G05D 23/1932; G05D 23/1902; G05D 23/1931; G05B 19/0426; G05B 19/409; G05B 15/02

See application file for complete search history.

(56) **References Cited**

U.S. PATENT DOCUMENTS

D310,412 S	*	9/1990	Fukumoto	D23/359
D395,490 S	*	6/1998	Jane'	D23/335
D435,096 S	*	12/2000	Meeks	D23/356
D536,429 S		2/2007	Bushee		
D551,746 S	*	9/2007	Pino	D23/359
D557,778 S	*	12/2007	Ni	D23/333
D573,241 S	*	7/2008	Chiu	D23/359
D606,184 S	*	12/2009	Chiu	D23/359
D618,113 S		6/2010	Bandawat et al.		

D643,092 S		8/2011	Bandawat et al.		
D729,365 S	*	5/2015	Yuan	D23/359
D746,426 S	*	12/2015	Zhao	D23/359
D750,209 S	*	2/2016	Satou	D23/364
D788,894 S	*	6/2017	Qin	D23/333
D912,796 S	*	3/2021	Huang	D23/364
D913,466 S	*	3/2021	Shen	D23/351
D927,658 S	*	8/2021	Fu	D23/333
D933,179 S	*	10/2021	Fu	D23/333
D945,587 S	*	3/2022	Yan	D23/364
D947,335 S	*	3/2022	Zheng	D23/359
D949,308 S	*	4/2022	Huang	D23/359
D950,696 S	*	5/2022	Xie	D23/359

* cited by examiner

Primary Examiner — Natasha Vujcic

(74) *Attorney, Agent, or Firm* — Che-Yang Chen; Law Office of Michael Chen

(57) **CLAIM**

I claim, the ornamental design for a cooling apparatus, as shown and described.

DESCRIPTION

FIG. 1 is a perspective view of a cooling apparatus showing my new design;

FIG. 2 is a perspective view thereof from another angle;

FIG. 3 is a front elevational view thereof;

FIG. 4 is a rear elevational view thereof;

FIG. 5 is a left side elevational view thereof;

FIG. 6 is a right side elevational view thereof;

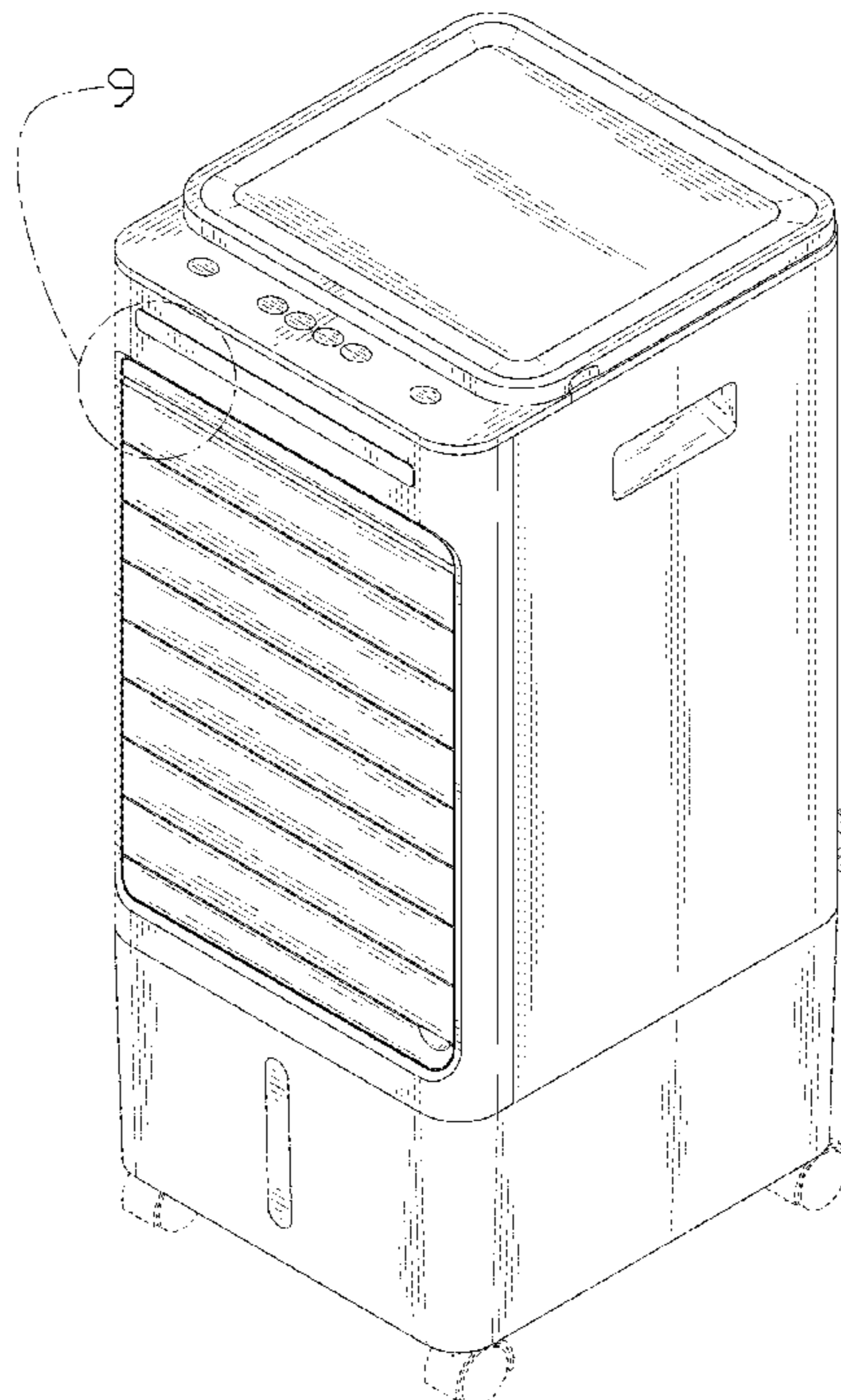
FIG. 7 is a top plan view thereof;

FIG. 8 is a bottom plan view thereof;

FIG. 9 is a partial enlarged view of portion 9 in FIG. 1; and,

FIG. 10 is a partial enlarged view of portion 10 in FIG. 2.

1 Claim, 10 Drawing Sheets



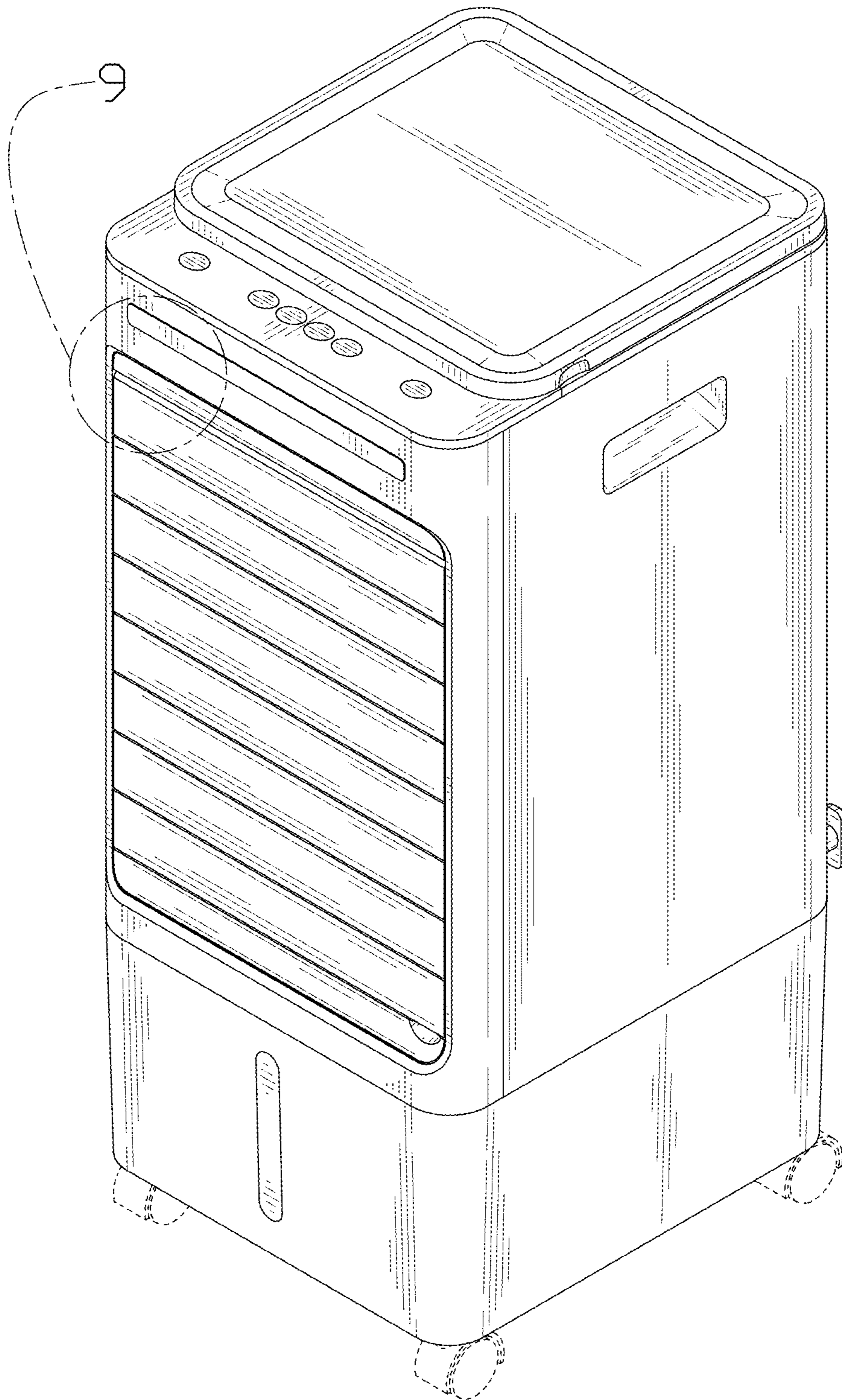


FIG. 1

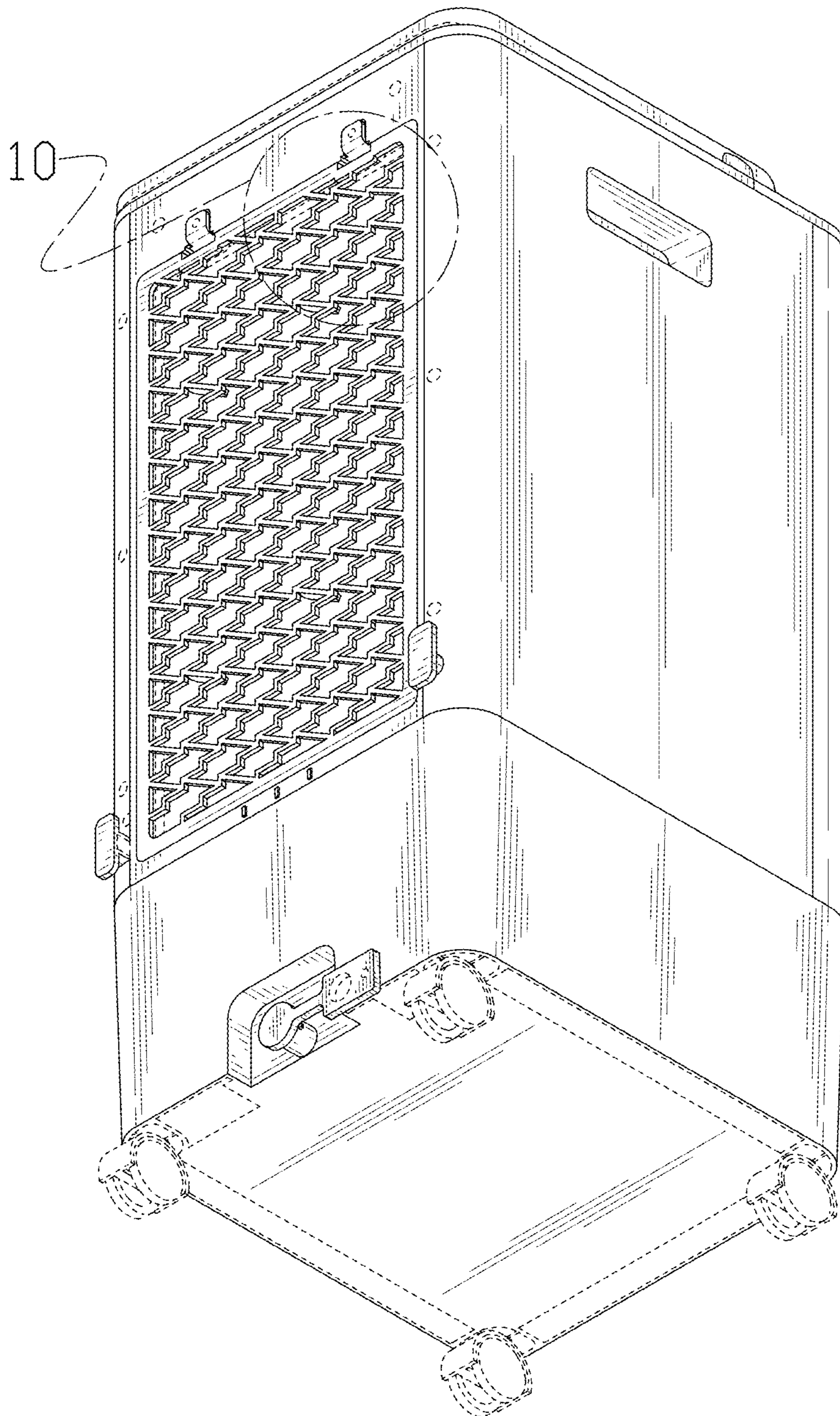


FIG. 2

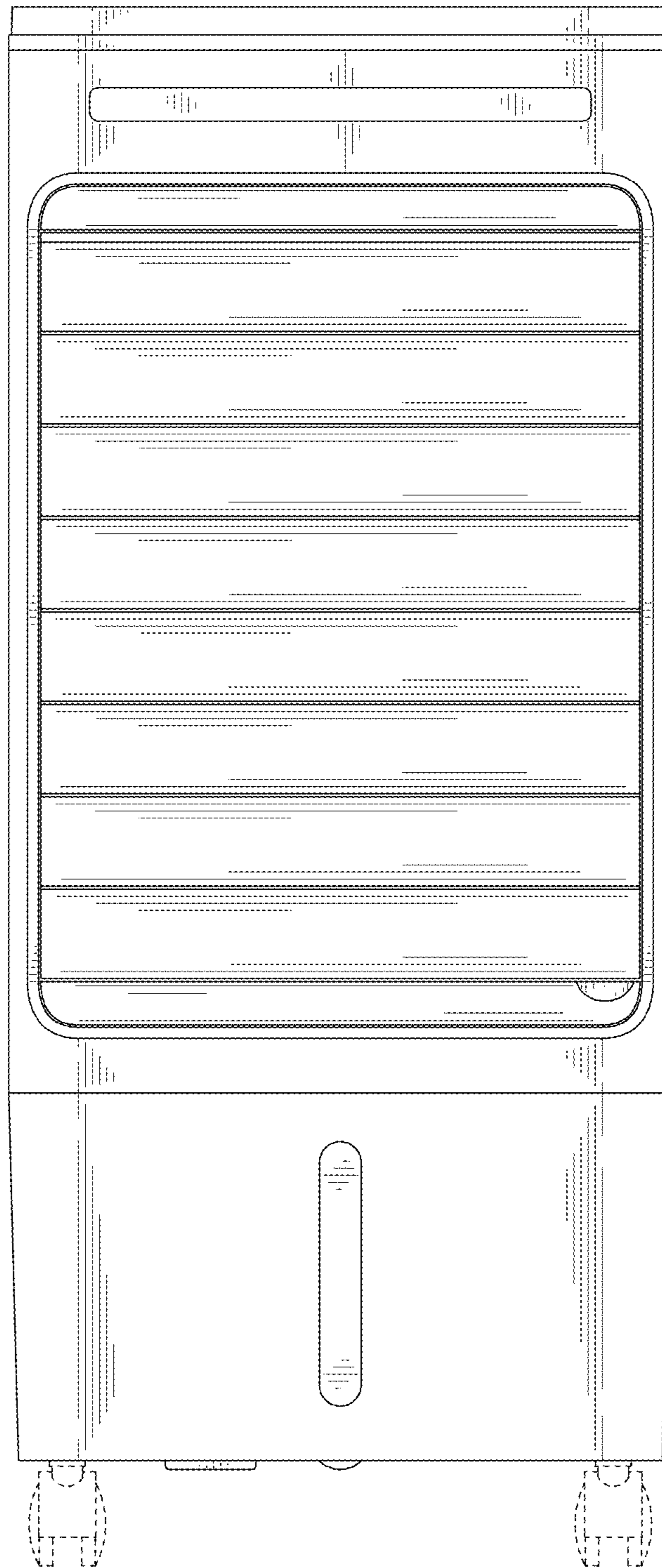


FIG. 3

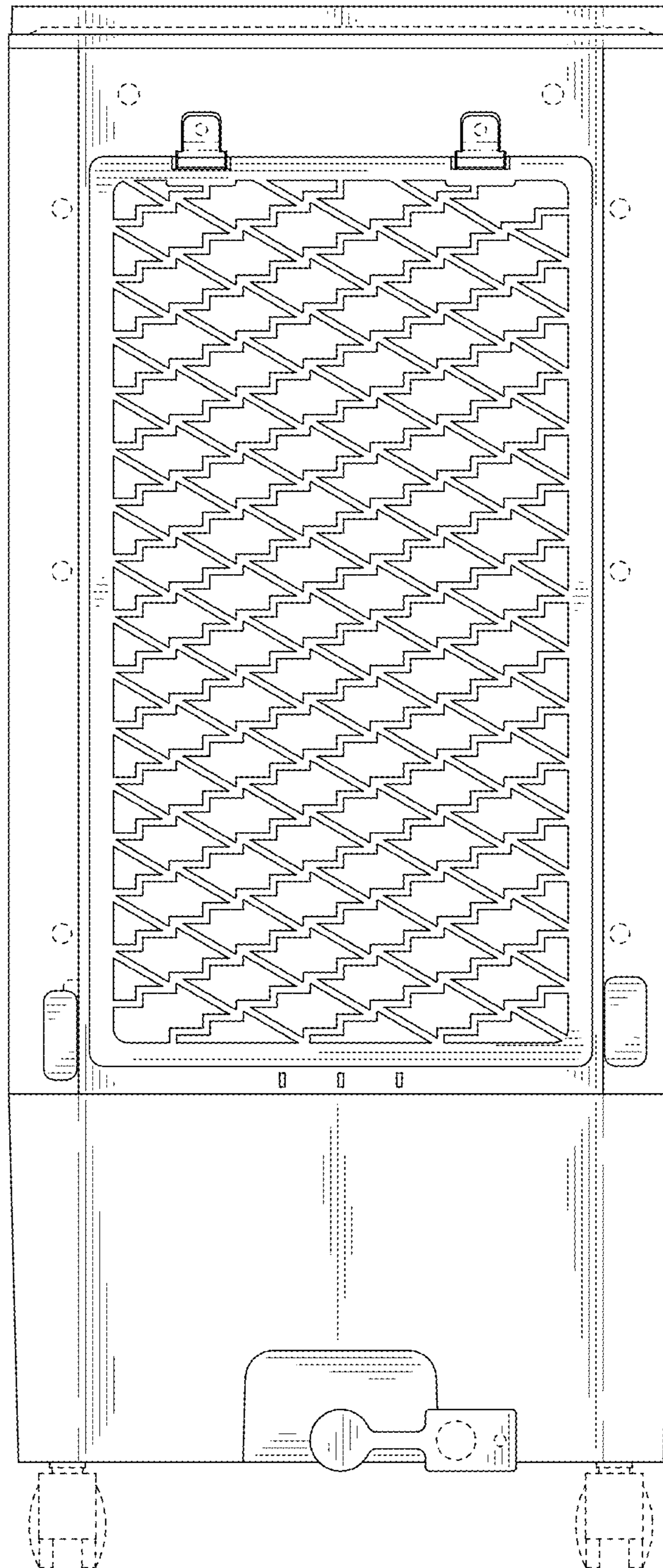


FIG. 4

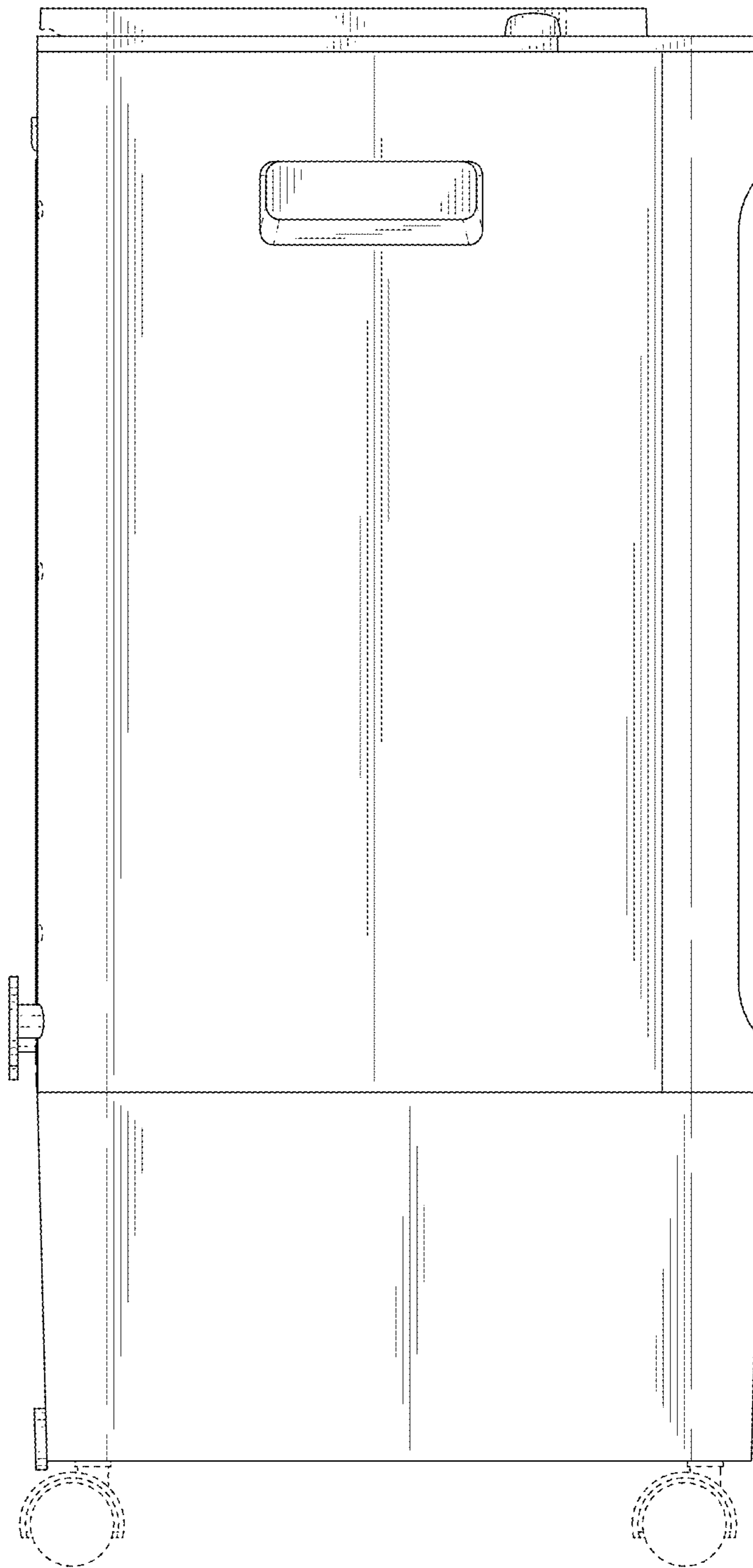


FIG. 5

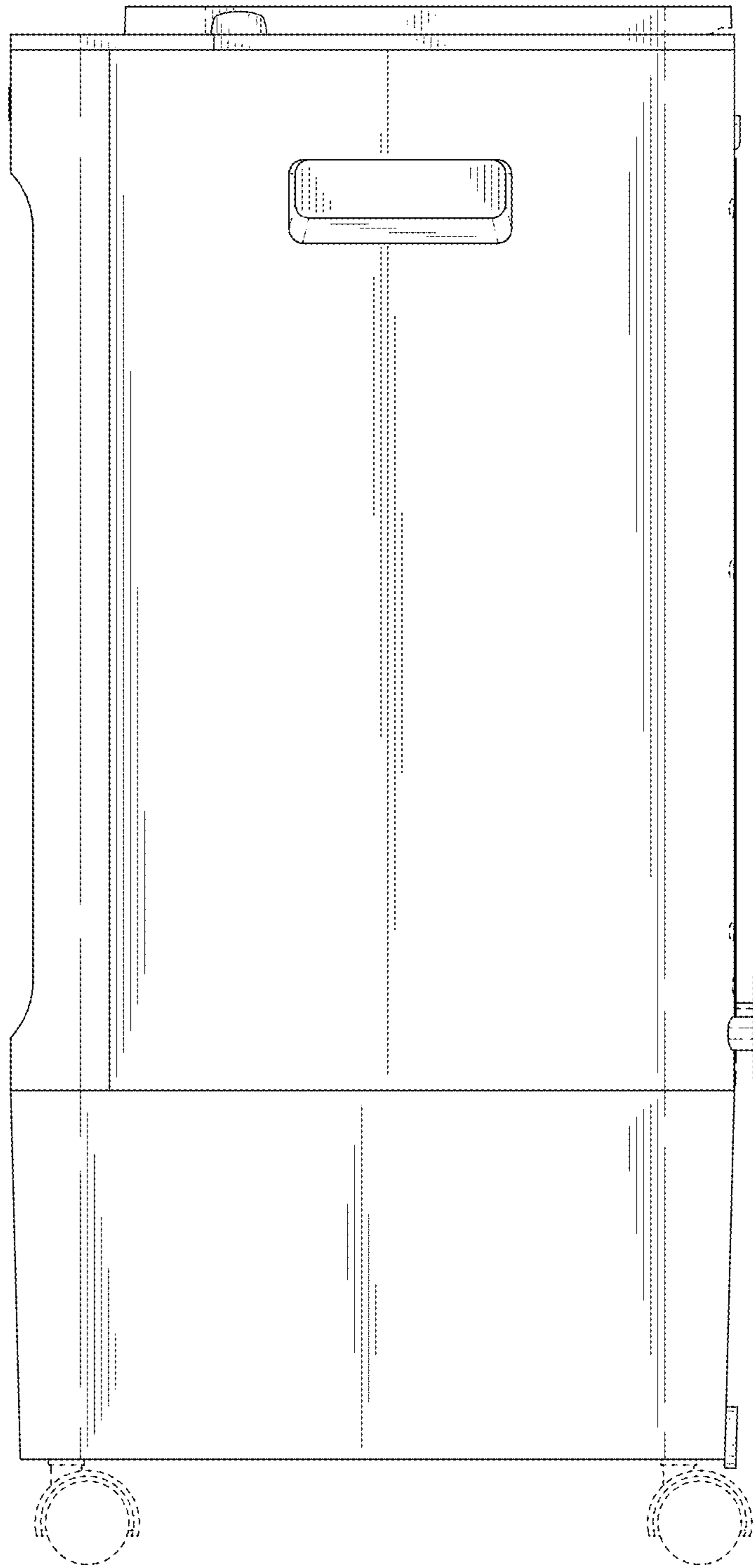


FIG. 6

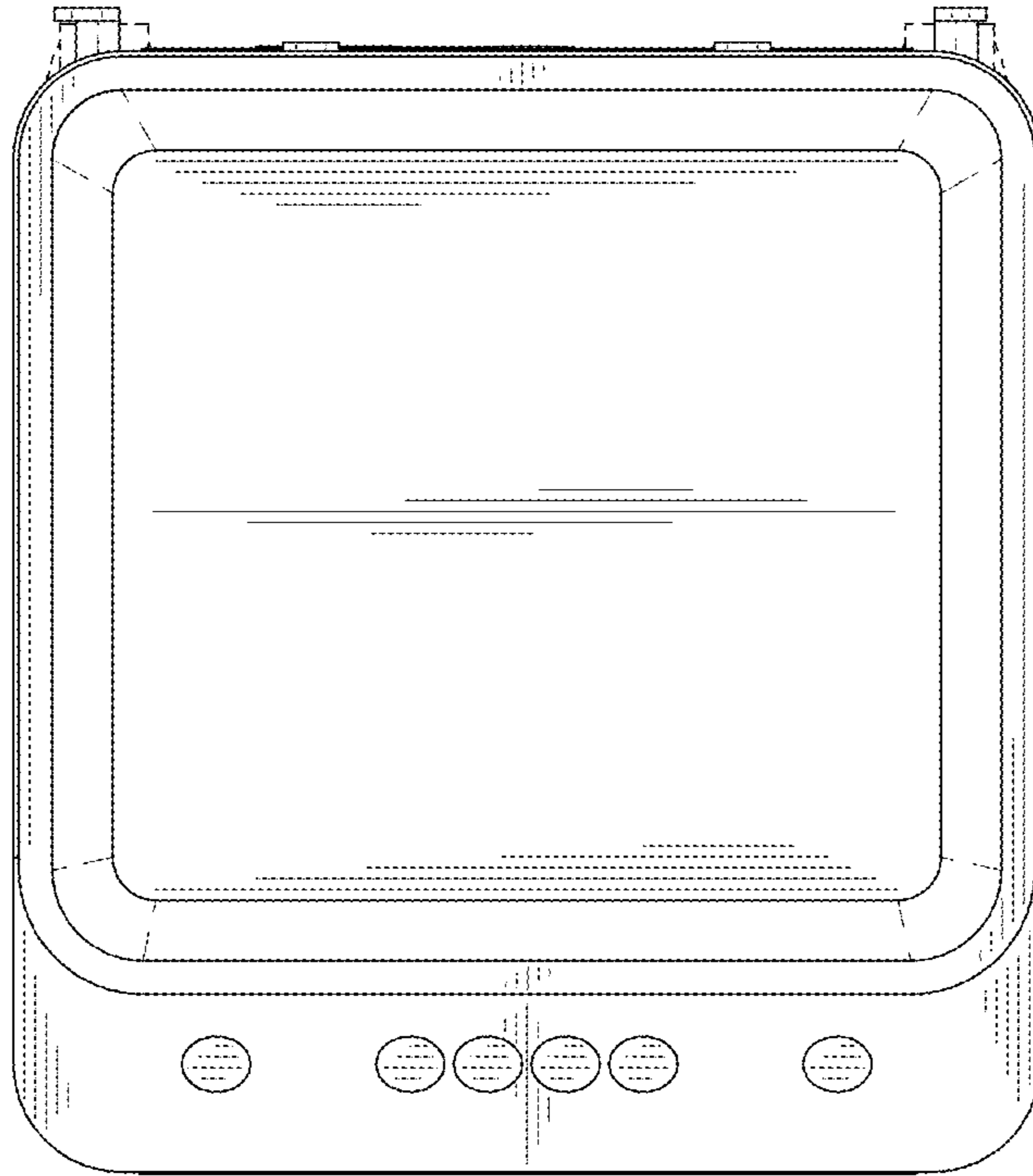


FIG. 7

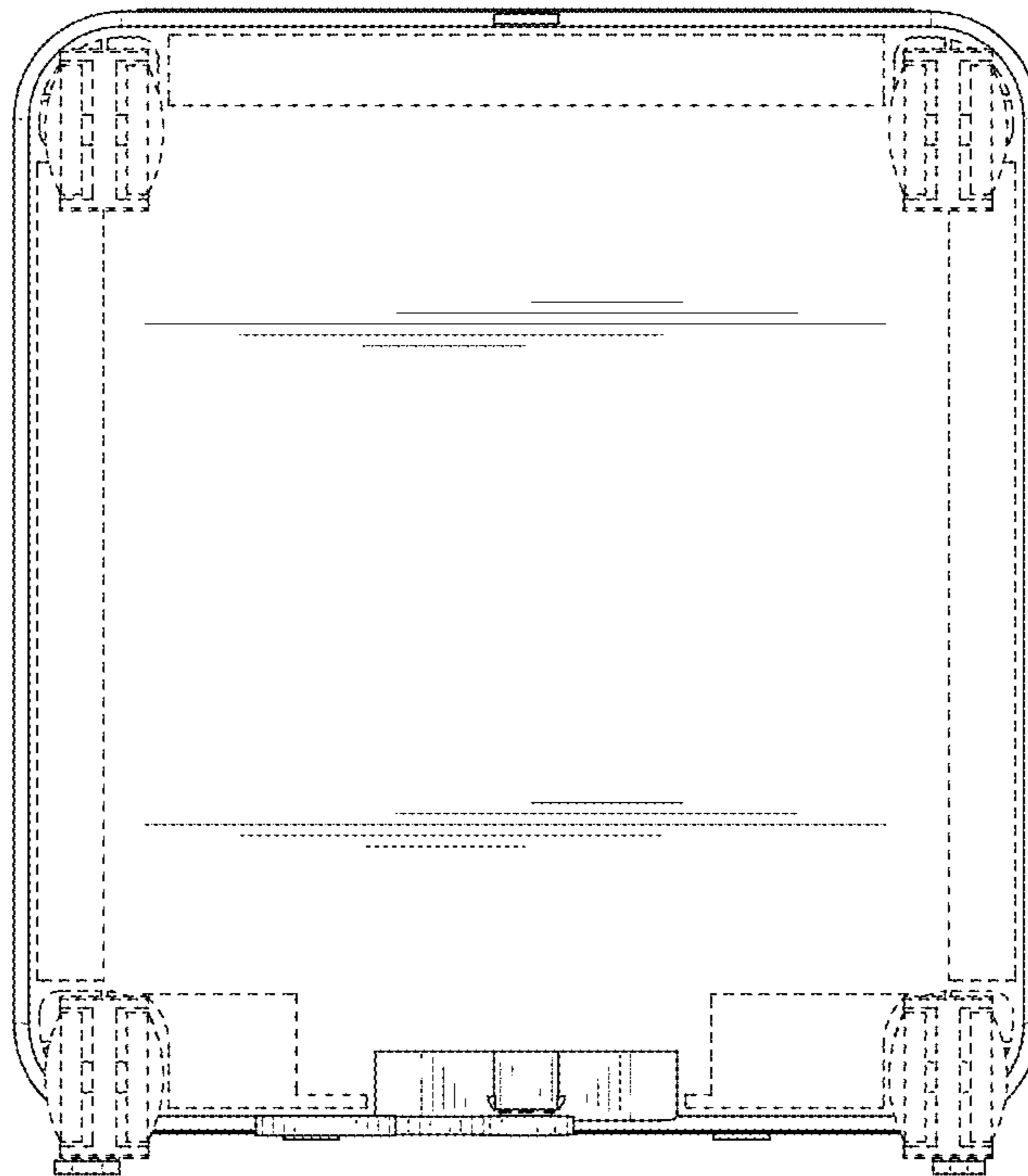


FIG. 8

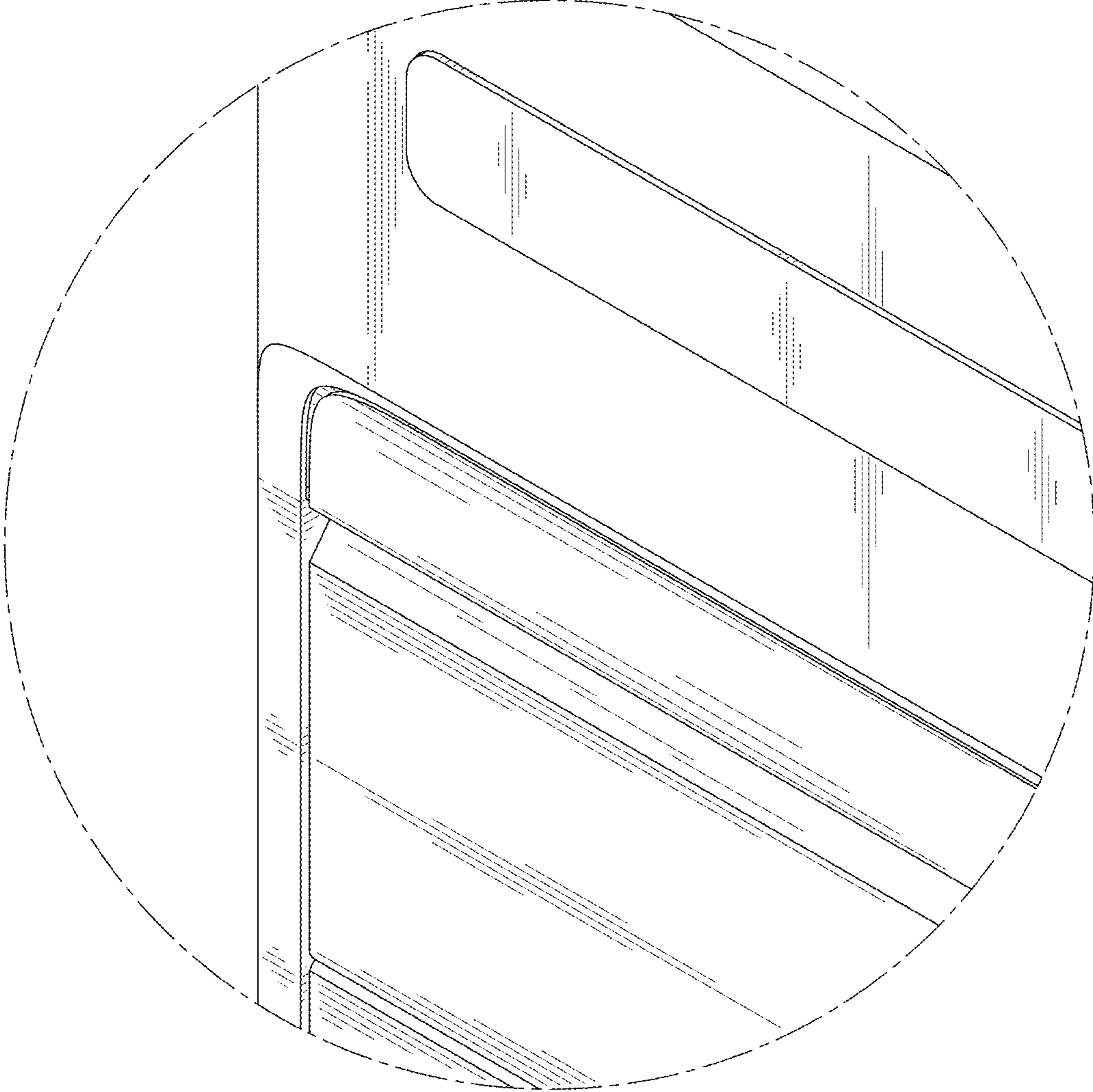


FIG. 9

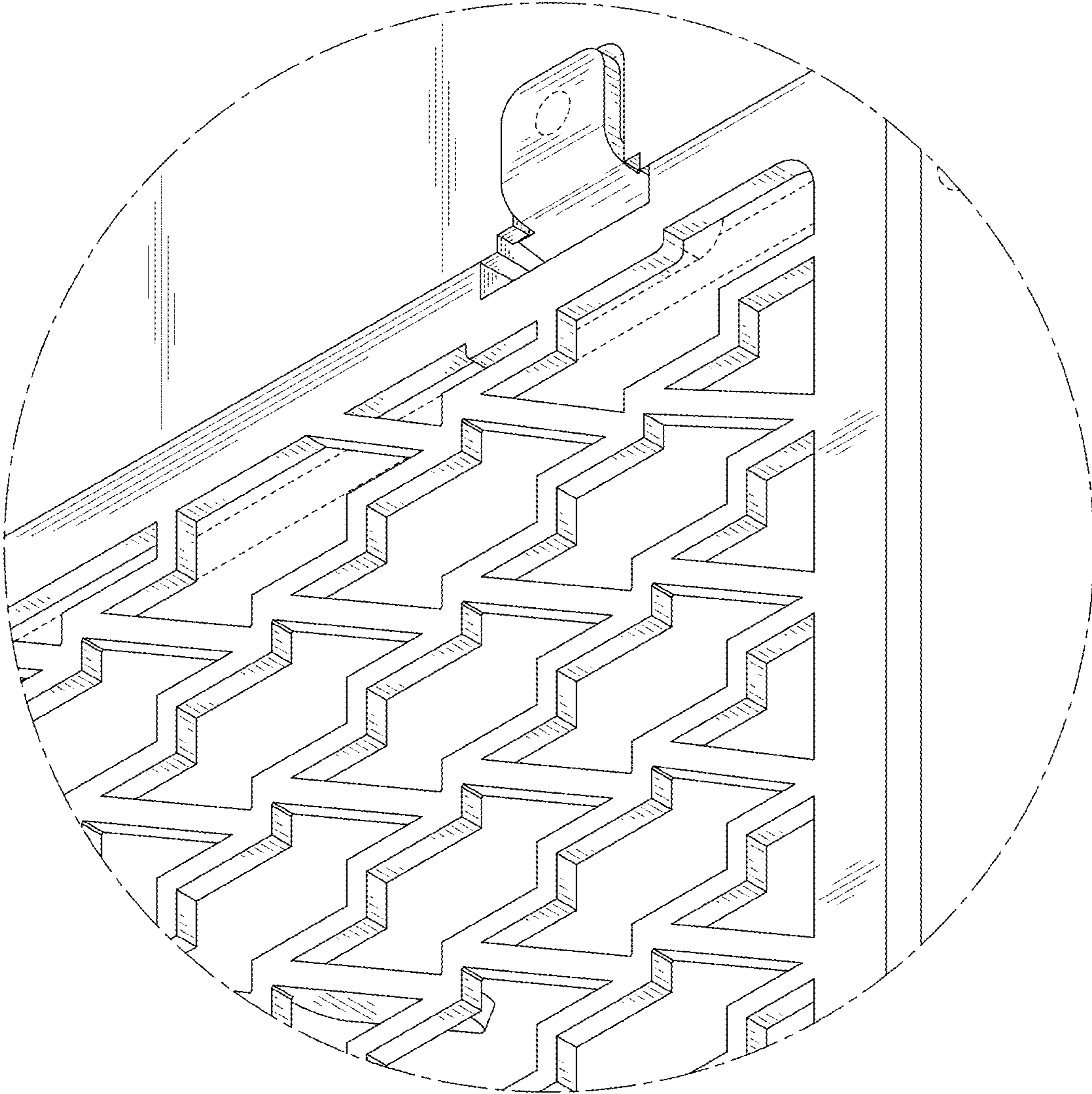


FIG. 10