



US00D972095S

(12) **United States Design Patent** (10) **Patent No.:** **US D972,095 S**  
**Ellis** (45) **Date of Patent:** **\*\* Dec. 6, 2022**

(54) **TILTABLE HEATING DEVICE**

(71) Applicant: **National Presto Industries, Inc.**, Eau Claire, WI (US)

(72) Inventor: **Brent T. Ellis**, Altoona, WI (US)

(73) Assignee: **National Presto Industries, Inc.**, Eau Claire, WI (US)

(\*\*) Term: **15 Years**

(21) Appl. No.: **29/758,747**

(22) Filed: **Nov. 18, 2020**

(51) **LOC (13) Cl.** ..... **23-03**

(52) **U.S. Cl.**  
USPC ..... **D23/335**

(58) **Field of Classification Search**  
USPC ..... D23/314, 330, 332, 334, 335, 336, 337, D23/338, 339, 340, 341, 355, 356, 364, D23/370, 381, 382  
CPC ..... F24D 15/02; F24D 19/02; F24H 3/002; F24C 7/065  
See application file for complete search history.

D456,067 S 4/2002 Kalina et al.  
D503,220 S \* 3/2005 Kim ..... D23/332  
D633,189 S 2/2011 Berge et al.  
D909,550 S \* 2/2021 Green ..... D23/336  
2021/0041140 A1\* 2/2021 Green ..... F24D 15/02

\* cited by examiner

*Primary Examiner* — Ania Aman  
(74) *Attorney, Agent, or Firm* — Kenneth A. Smith

(57) **CLAIM**

I claim the ornamental design for tiltable heating device, as shown and described.

**DESCRIPTION**

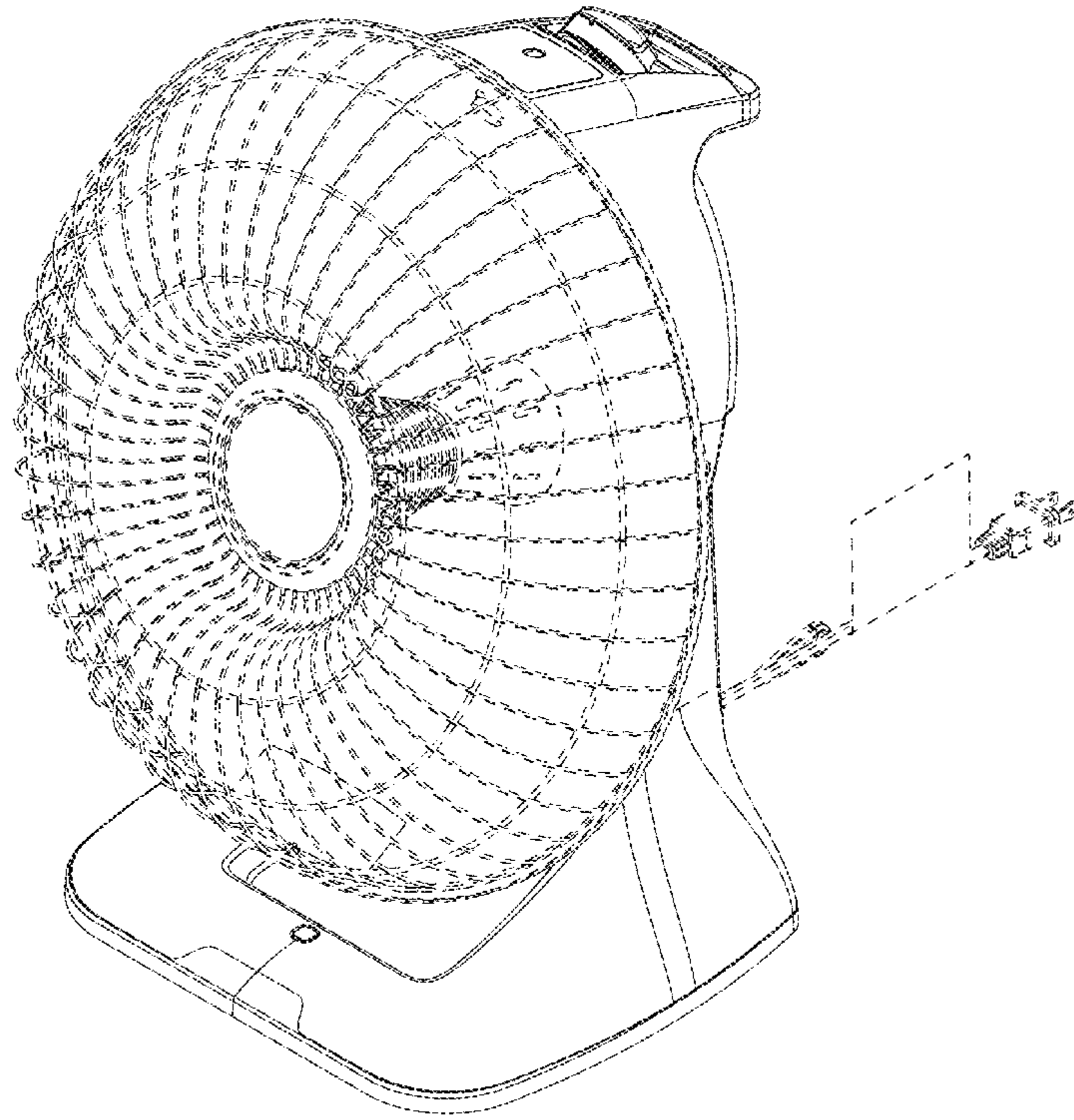
FIG. 1 is a top, front perspective view of a tiltable heating device of the present invention.  
FIG. 2 is a front view of the tiltable heating device depicted in FIG. 1.  
FIG. 3 is a right, side view of the tiltable heating device depicted in FIG. 1.  
FIG. 4 is a rear view of the tiltable heating device depicted in FIG. 1.  
FIG. 5 is a left, side view of the tiltable heating device depicted in FIG. 1.  
FIG. 6 is a top view of the tiltable heating device depicted in FIG. 1; and,  
FIG. 7 is a bottom view of the tiltable heating device depicted in FIG. 1.  
The broken lines in the drawings illustrate portions of the tiltable heating device that form no part of the claimed design.

(56) **References Cited**

U.S. PATENT DOCUMENTS

2,512,061 A \* 6/1950 Huck ..... F24C 7/065 392/429  
D294,968 S \* 3/1988 Shin-Chin ..... D23/382  
D312,684 S 12/1990 Geissler et al.  
D385,022 S \* 10/1997 Glenn ..... D23/332  
D391,355 S 2/1998 Hedrington  
D413,660 S \* 9/1999 Lee ..... D23/332

**1 Claim, 7 Drawing Sheets**



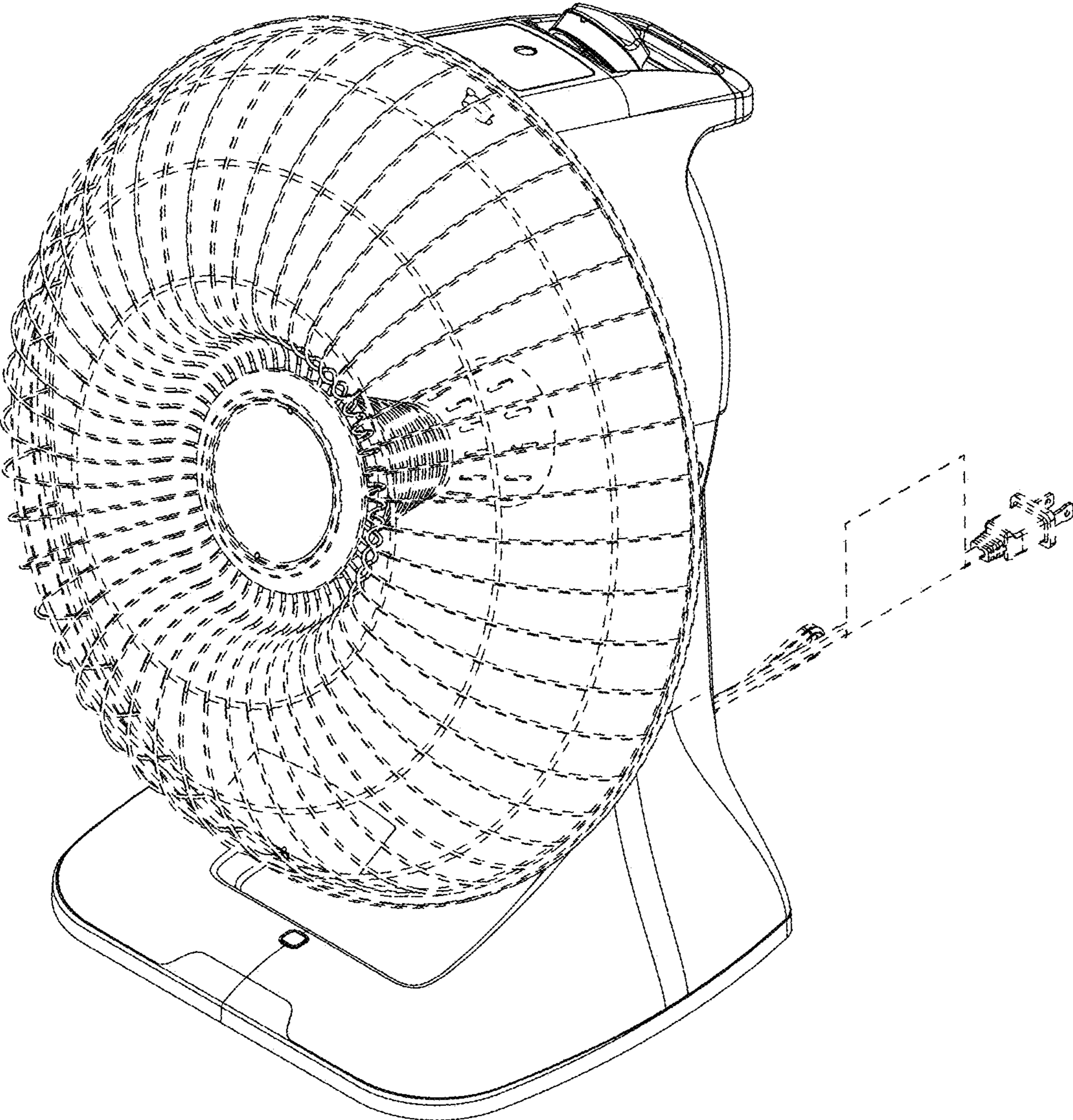


Fig. 1

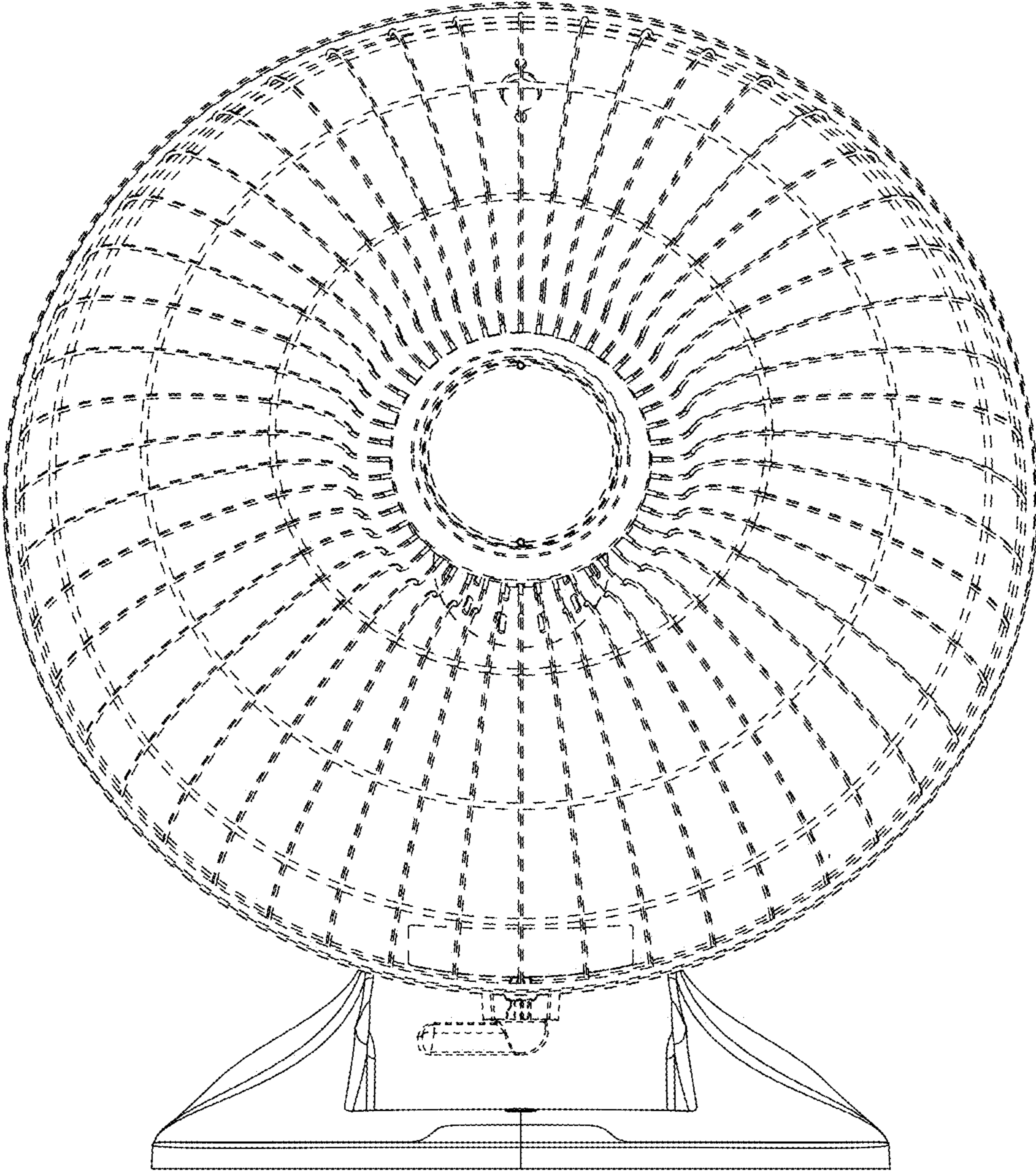


Fig. 2

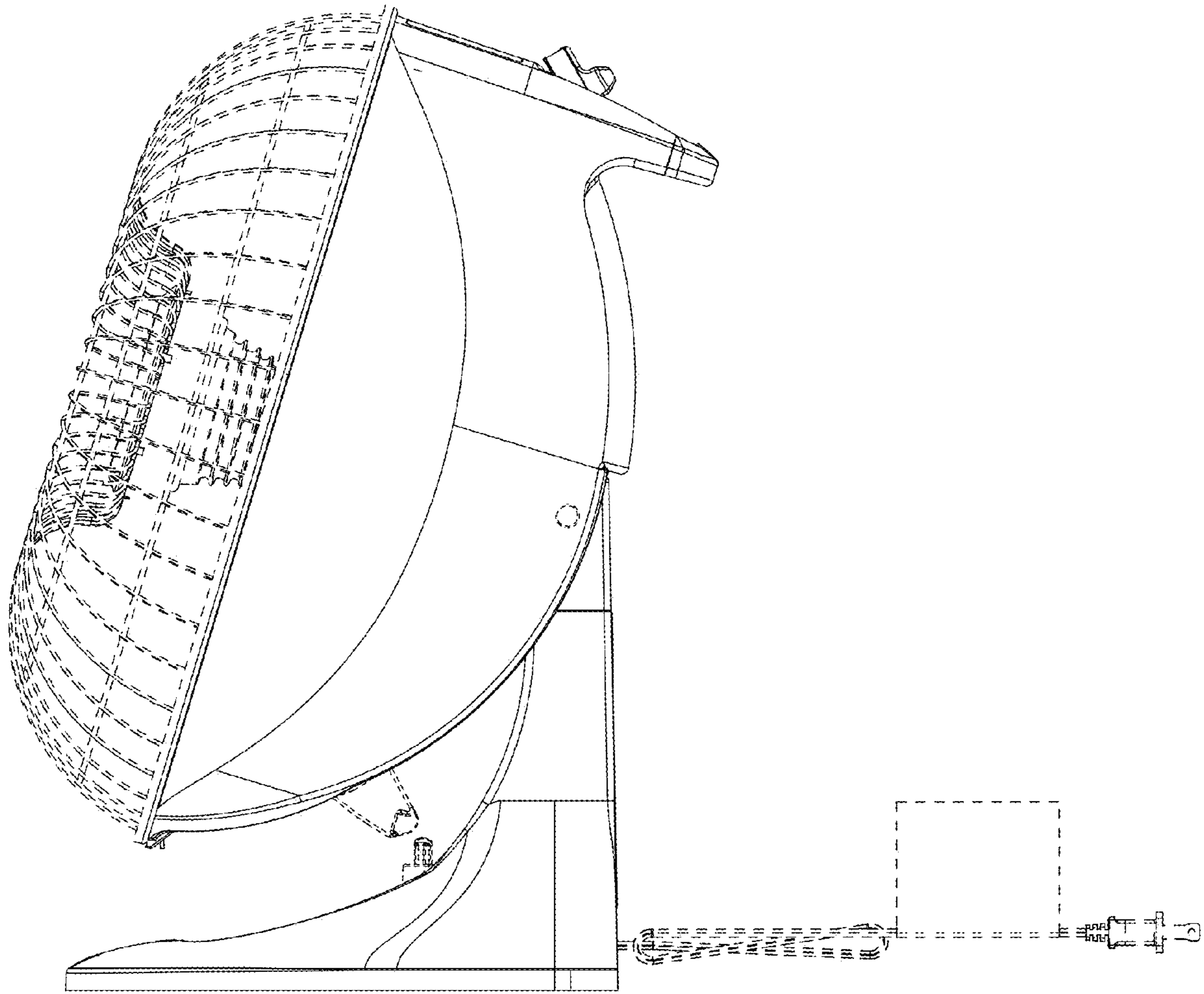


Fig. 3

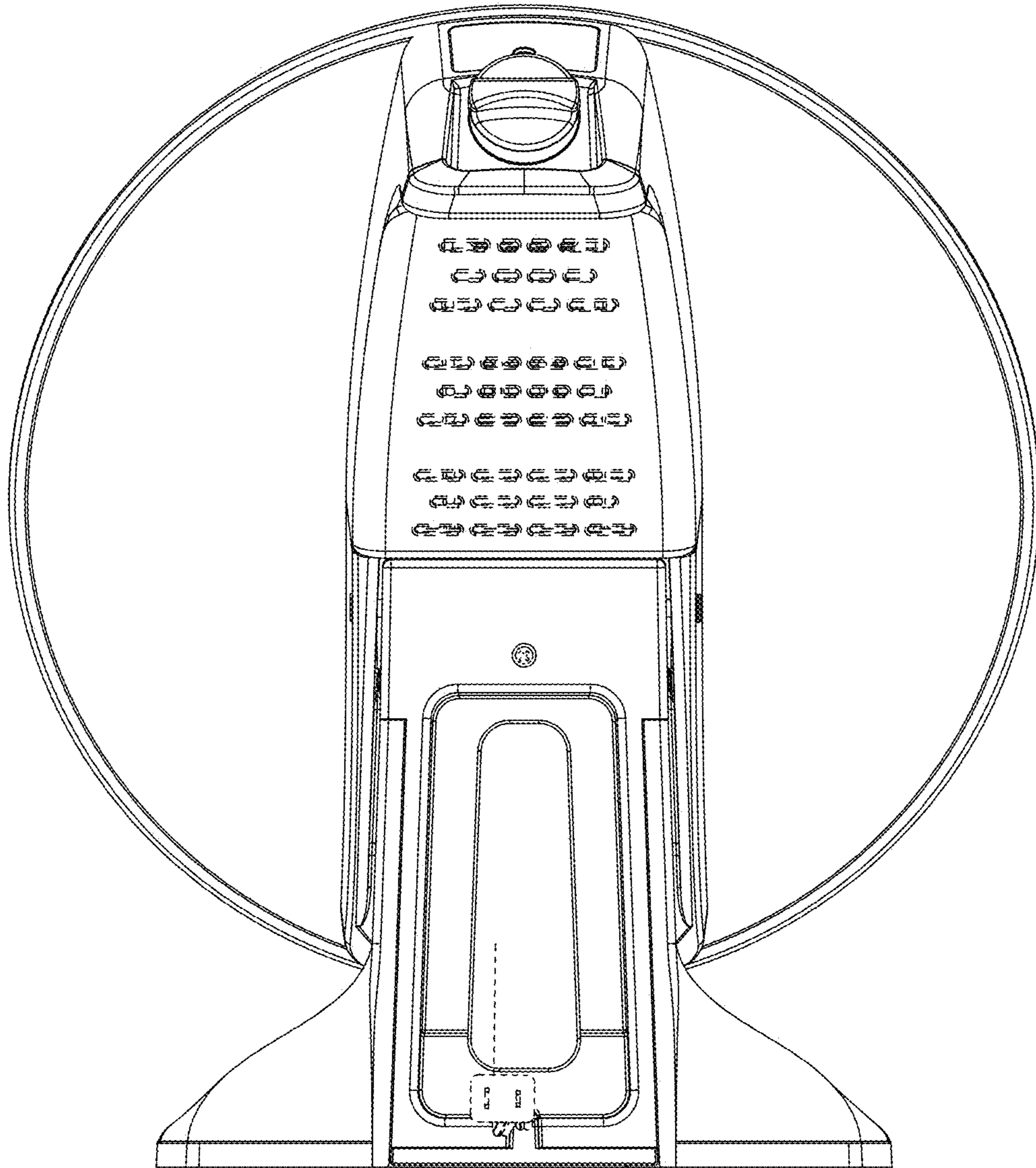


Fig. 4

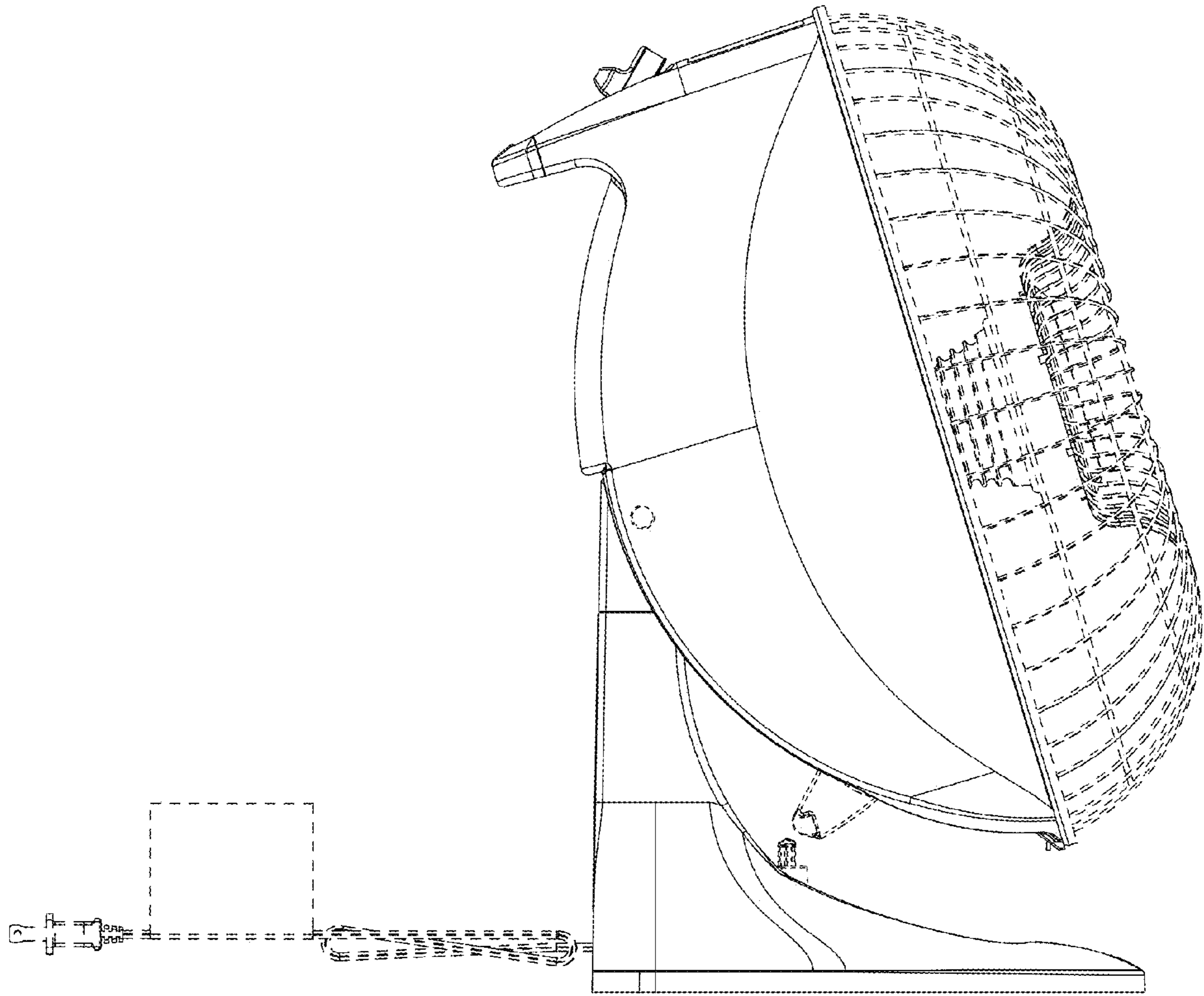


Fig. 5

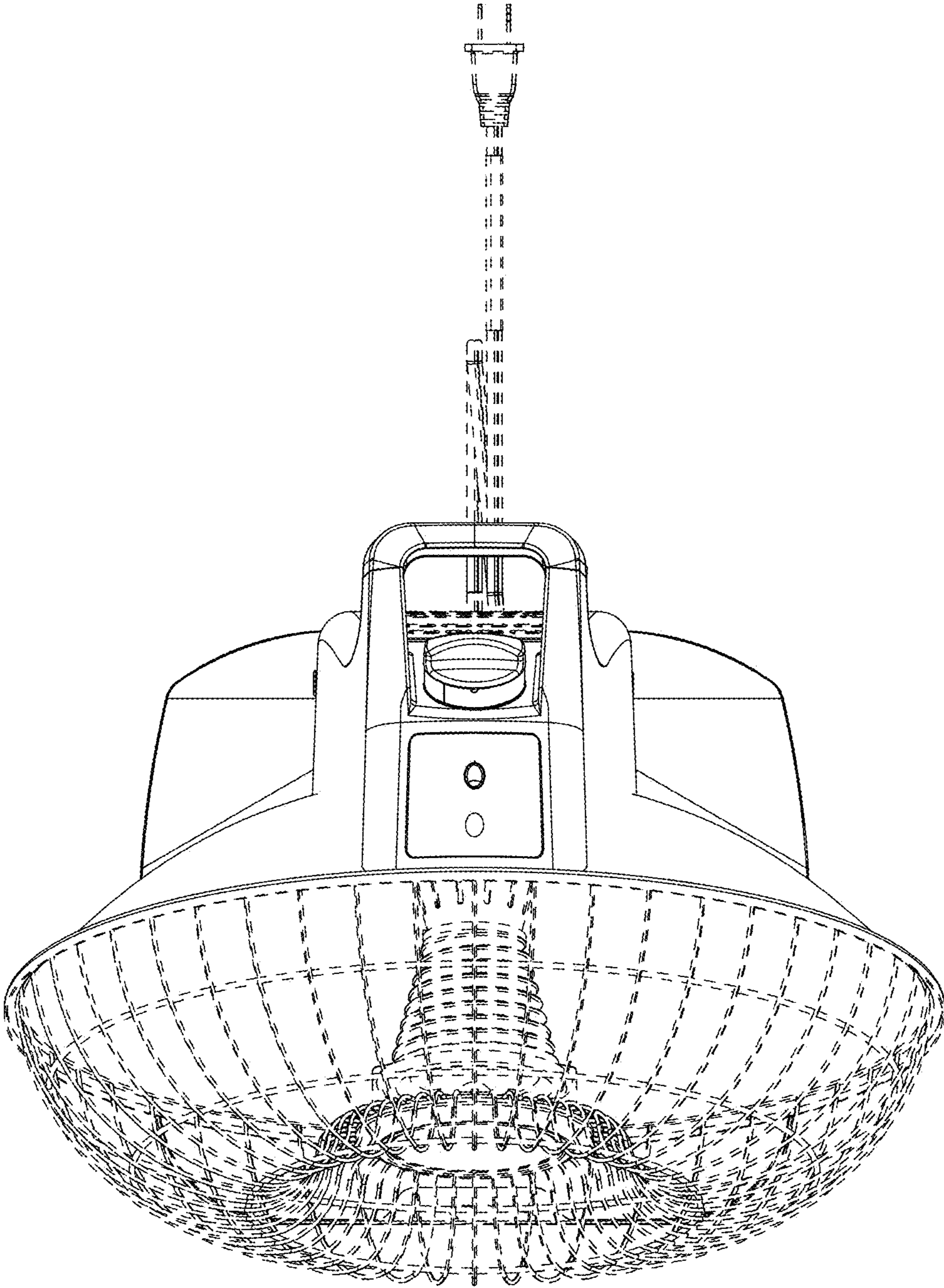


Fig. 6

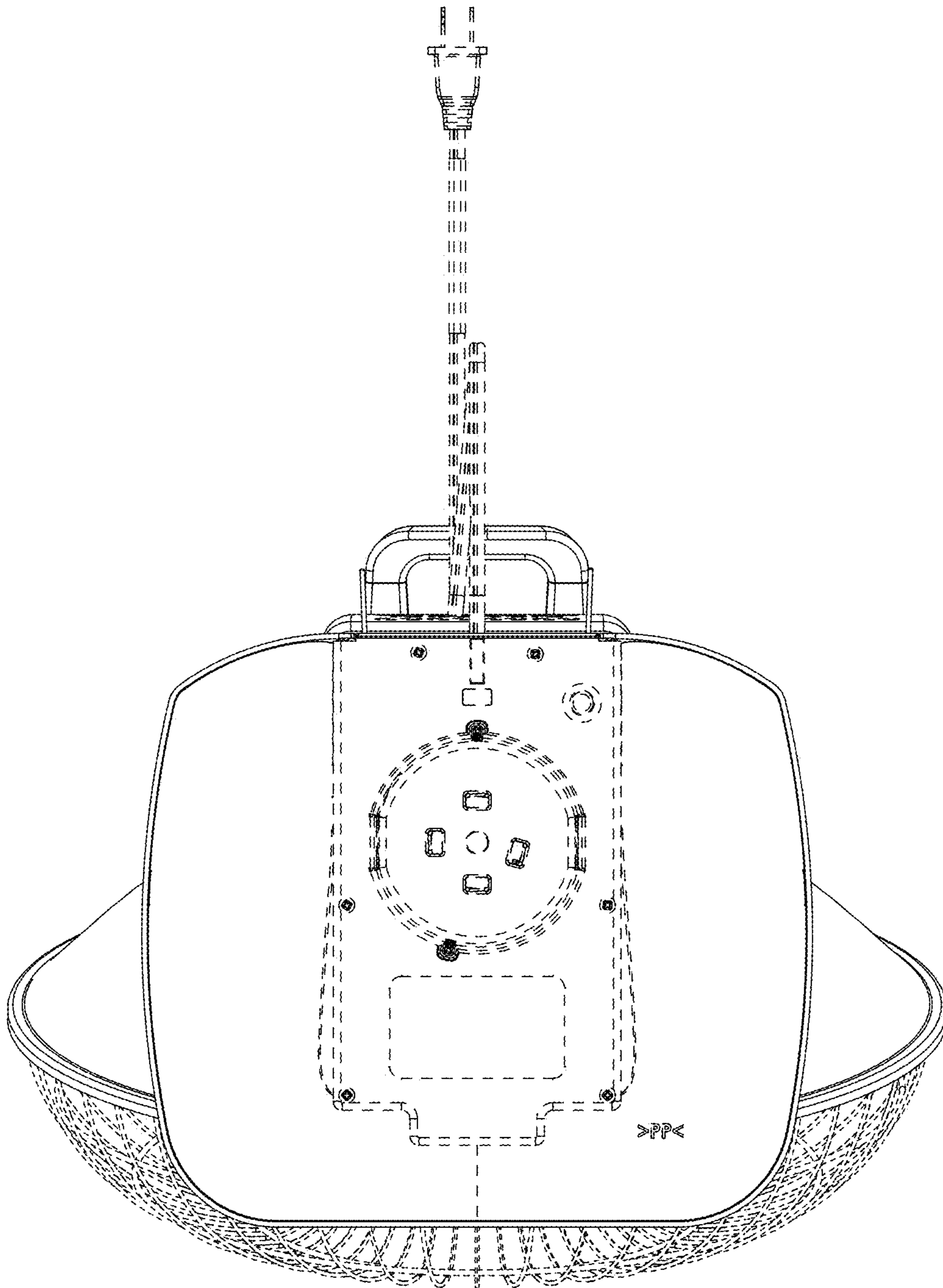


Fig. 7