



US00D972093S

(12) **United States Design Patent**  
**Shah**

(10) **Patent No.:** **US D972,093 S**

(45) **Date of Patent:** **\*\* Dec. 6, 2022**

(54) **HAIR STRAINING DEVICE**

(71) Applicant: **Meet Ochhavlal Shah**, Laurel, MD  
(US)

(72) Inventor: **Meet Ochhavlal Shah**, Laurel, MD  
(US)

(\*\*) Term: **15 Years**

(21) Appl. No.: **29/830,384**

(22) Filed: **Mar. 11, 2022**

(51) **LOC (13) Cl.** ..... **23-01**

(52) **U.S. Cl.**  
USPC ..... **D23/261**

(58) **Field of Classification Search**  
USPC ..... D23/208–209, 259–261; 4/290–295  
See application file for complete search history.

(56) **References Cited**

**U.S. PATENT DOCUMENTS**

2,038,852	A *	4/1936	Pasman	.....	E03C 1/264
					4/291
2,075,443	A *	3/1937	Kirschner	.....	E03C 1/262
					4/287
D246,109	S	10/1977	Rosaen		
4,932,082	A *	6/1990	Ridgeway	.....	E03C 1/2302
					4/287
6,067,669	A *	5/2000	Peterson	.....	E03C 1/262
					4/291
6,938,279	B1 *	9/2005	Henderson	.....	A47K 1/14
					4/286
D650,471	S *	12/2011	Du	.....	D23/268
8,214,942	B2 *	7/2012	Yang	.....	E03C 1/23
					4/690
D673,246	S *	12/2012	Lee	.....	D23/260
9,060,656	B2	6/2015	Tong		
9,518,383	B2	12/2016	Lesmeister		
D785,767	S	5/2017	Karnegie		
D794,759	S *	8/2017	Karnegie	.....	D23/261

D814,611 S \* 4/2018 Carnegie ..... D23/261  
D828,523 S 9/2018 Carnegie  
D841,133 S \* 2/2019 Carnegie ..... D23/261  
(Continued)

**OTHER PUBLICATIONS**

Drain Buddy Deluxe: Bathroom Sink Stopper Strainer with Hair Catcher; First Available on Amazon Oct. 16, 2019; Visited Online Oct. 22, 2022; <https://www.amazon.com/Drain-Installation-Preventing-Bathroom-Replacement/dp/B07Z6R12PD> (Year: 2019).\*

*Primary Examiner* — Amy C Wierenga

(74) *Attorney, Agent, or Firm* — Barry Choobin; Patent 360

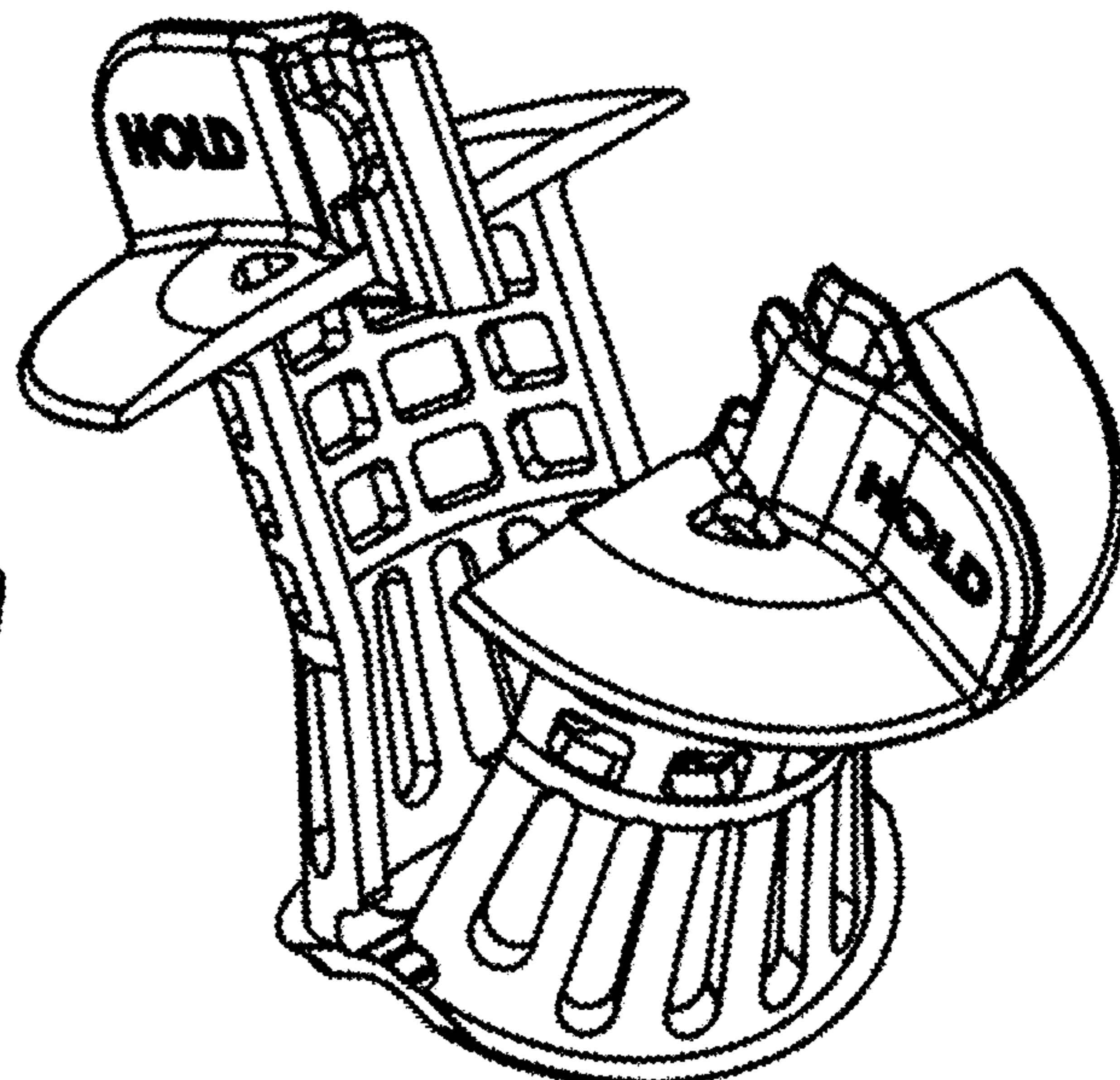
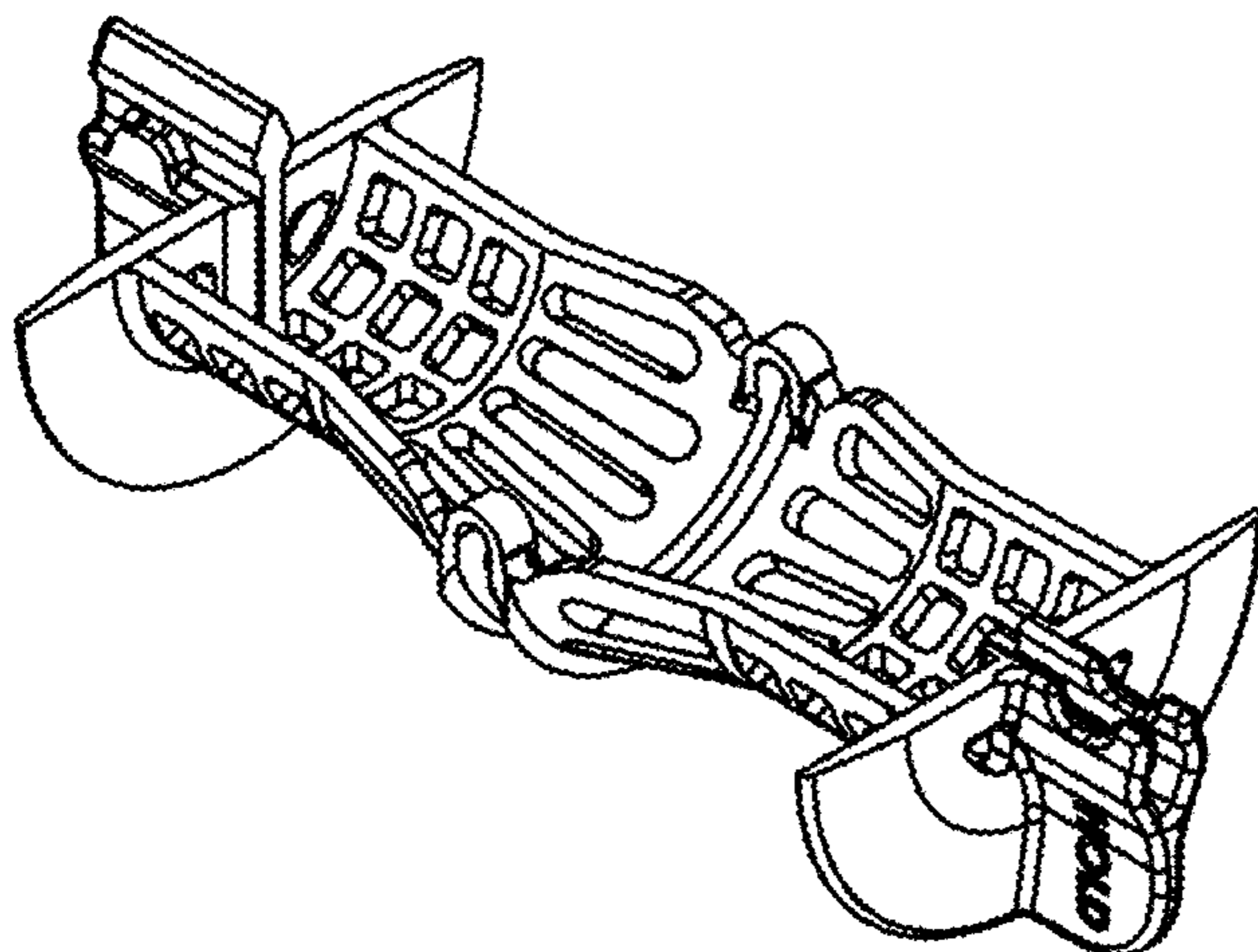
(57) **CLAIM**

The ornamental design for a hair straining device, as shown and described.

**DESCRIPTION**

FIG. 1 is a perspective view of a hair straining device, showing my new design;  
FIG. 2 is another perspective view thereof;  
FIG. 3 is a front view thereof;  
FIG. 4 is a rear view thereof;  
FIG. 5 is a top view thereof;  
FIG. 6 is a bottom view thereof;  
FIG. 7 is a right side view thereof;  
FIG. 8 is a left side view thereof;  
FIG. 9 is a perspective view thereof wherein the hair straining device is shown partially closed;  
FIG. 10 is a perspective view thereof wherein the hair straining device is shown closed; and,  
FIG. 11 is another perspective view of FIG. 10, shown in a position of use in its environment.  
The broken lines shown in FIG. 11 are for the purpose of illustrating environment, that forms no part of the claimed design.

**1 Claim, 11 Drawing Sheets**



(56)

**References Cited**

U.S. PATENT DOCUMENTS

D862,664 S \* 10/2019 Si ..... D23/261  
D867,551 S \* 11/2019 Xiang ..... D23/261  
10,570,594 B2 2/2020 Karnegie et al.  
10,767,803 B2 \* 9/2020 Mainzer ..... F16J 13/12  
D905,206 S \* 12/2020 Colacino ..... D23/261  
11,242,678 B2 \* 2/2022 Grumbach ..... C02F 3/342  
11,434,630 B1 \* 9/2022 Shah ..... B01D 29/35  
2016/0251839 A1 9/2016 Ali  
2017/0073948 A1 \* 3/2017 Terrell ..... A47K 1/14  
2017/0130435 A1 \* 5/2017 Sebolt ..... E03C 1/2302  
2017/0314244 A1 \* 11/2017 Beck ..... E03C 1/262  
2018/0263426 A1 \* 9/2018 Ahuja ..... E03C 1/2306  
2019/0218758 A1 \* 7/2019 Karnegie ..... E03C 1/264

\* cited by examiner

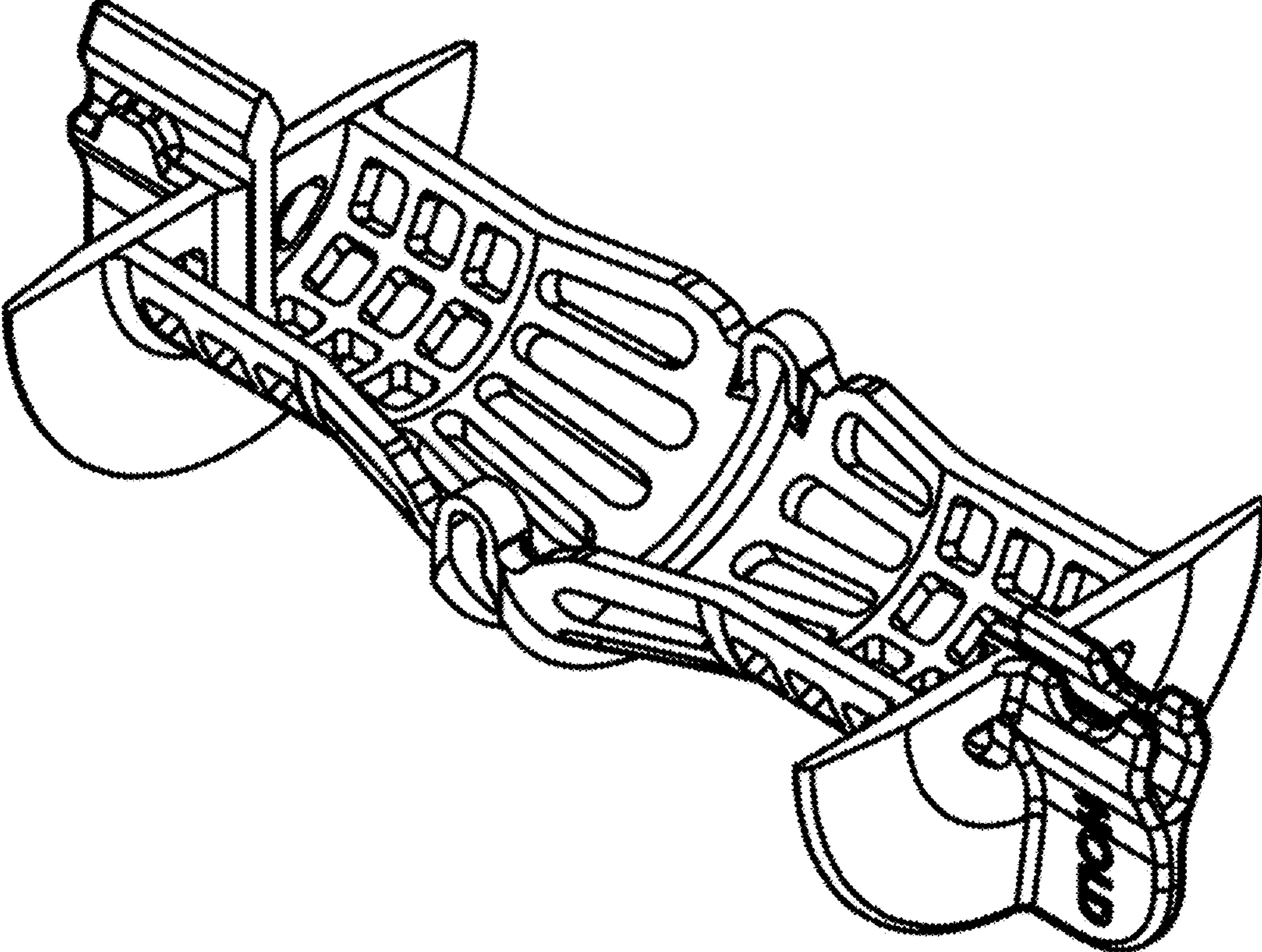


FIG. 1

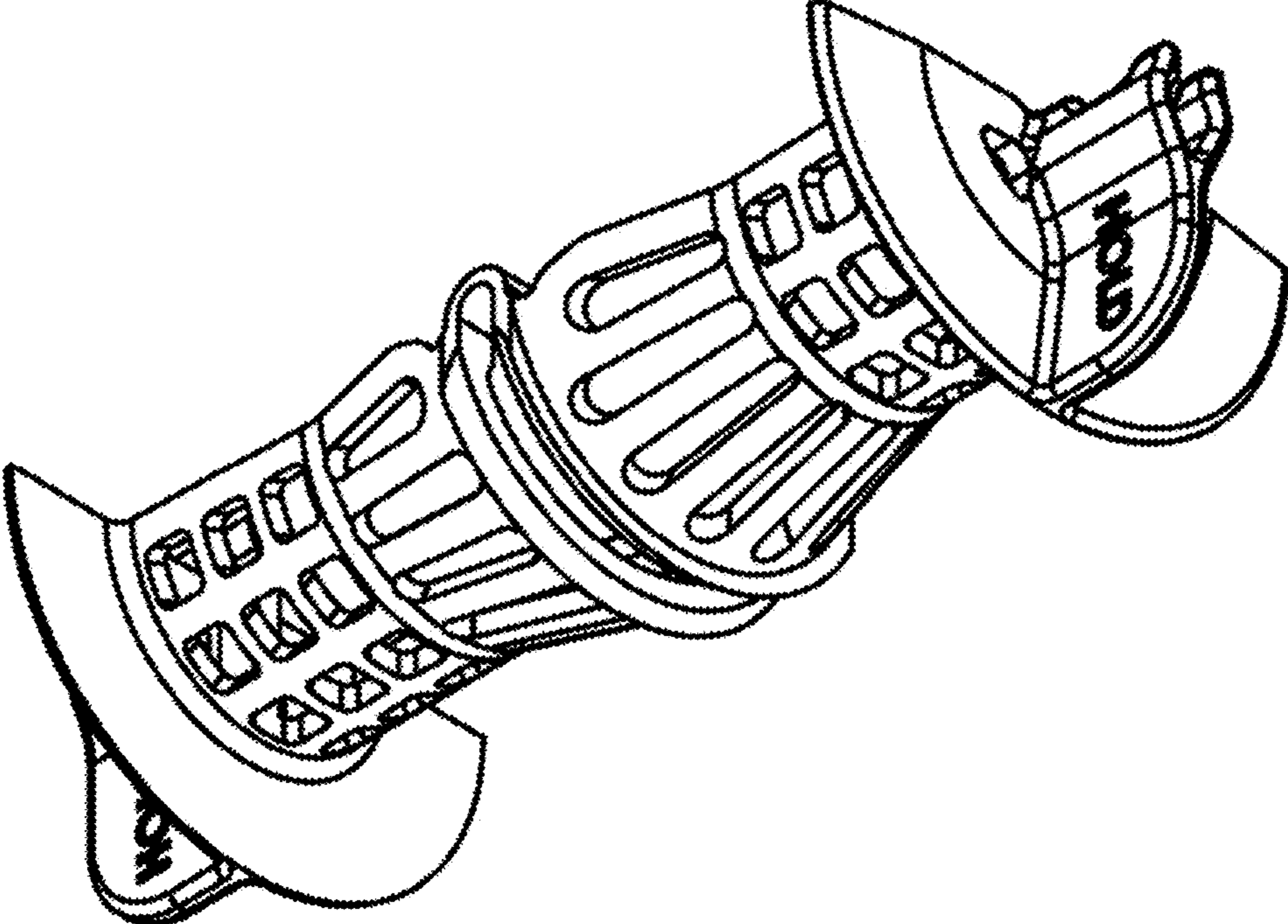


FIG. 2

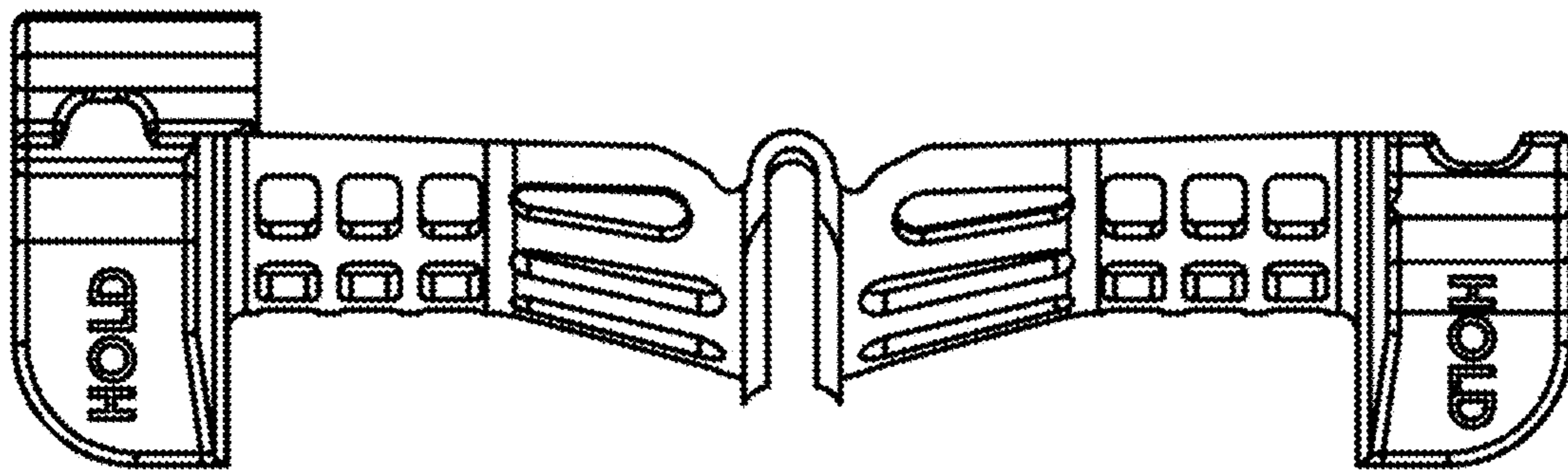


FIG. 3

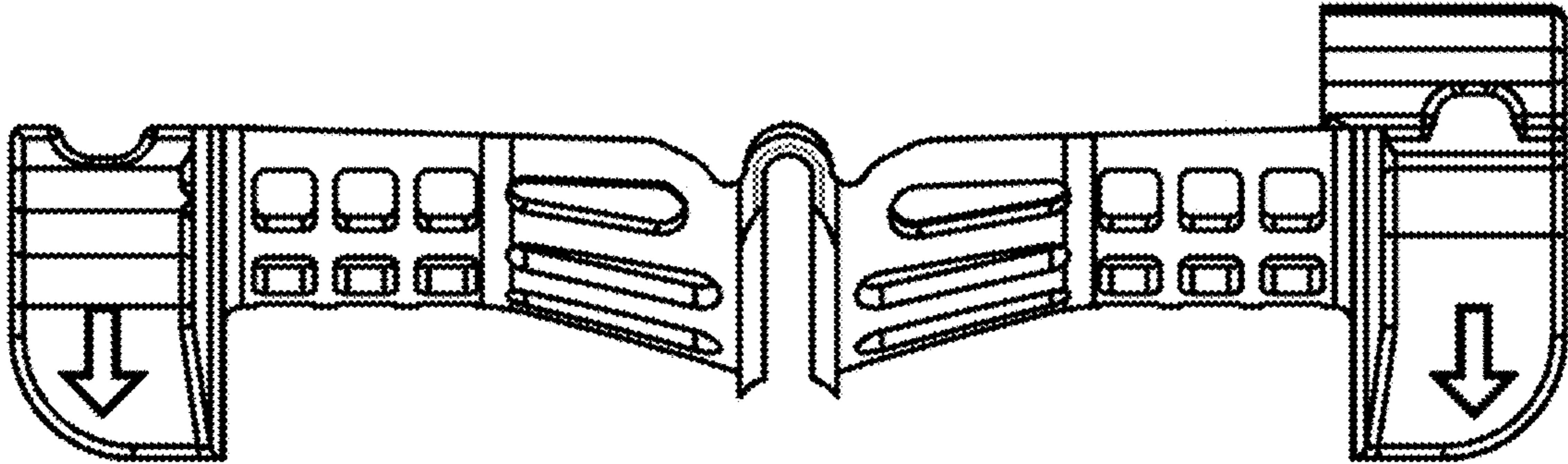


FIG. 4

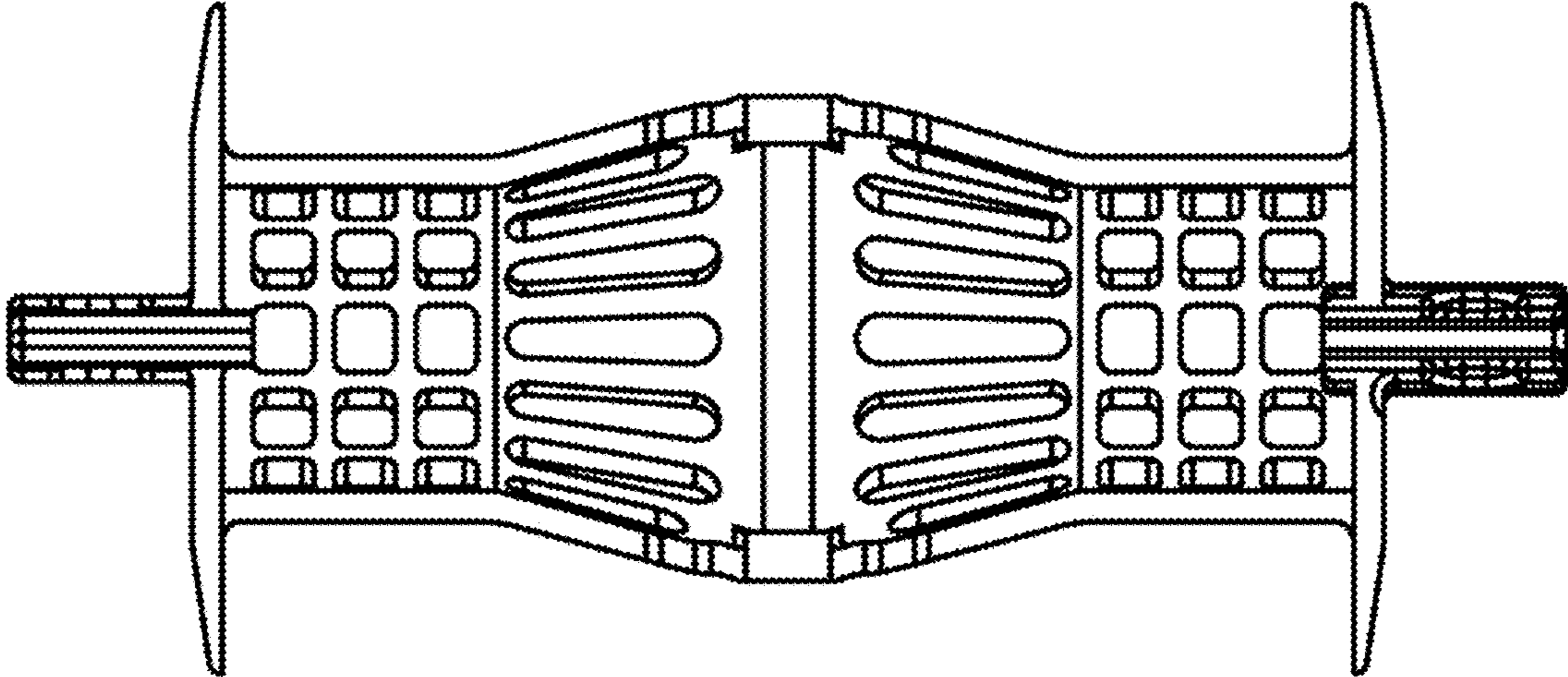


FIG. 5

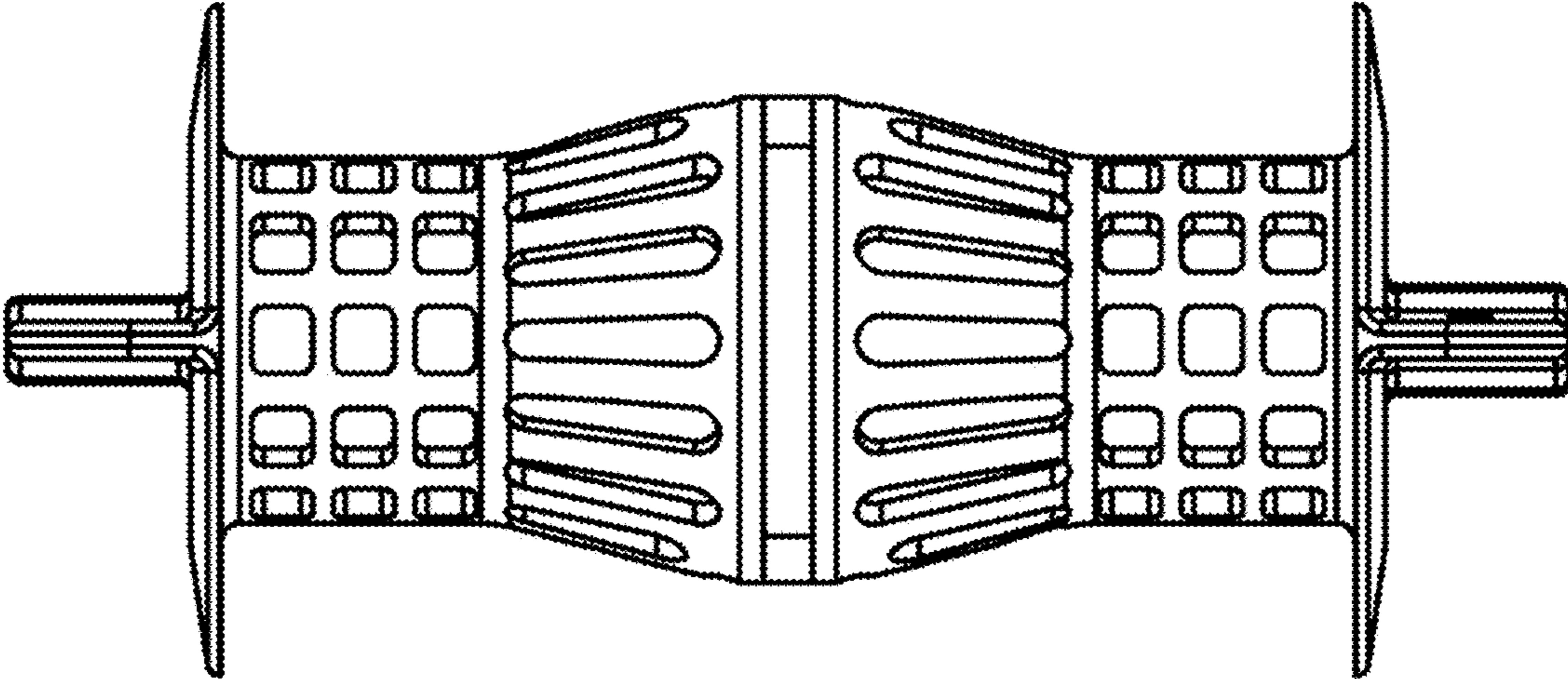


FIG. 6



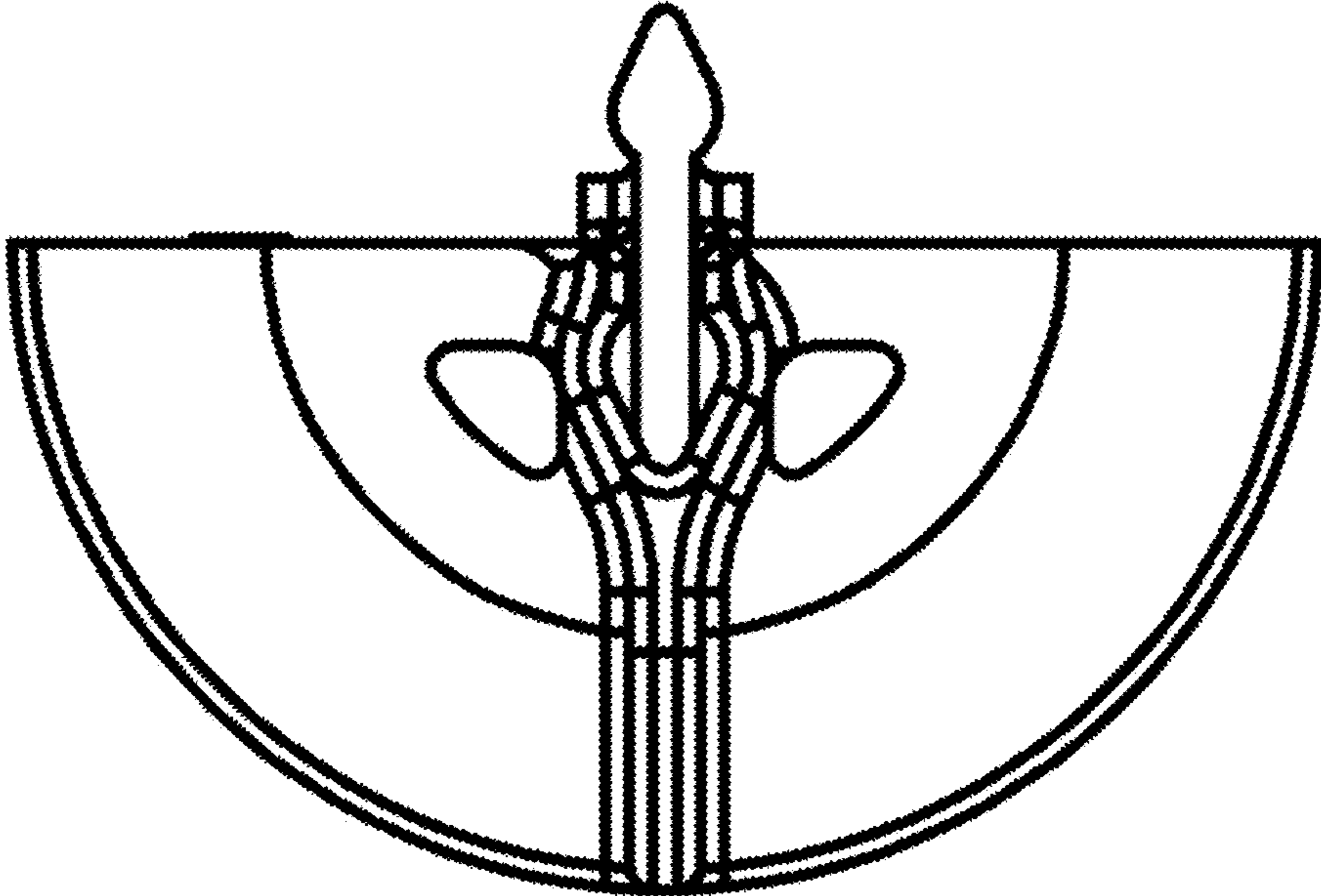


FIG. 7

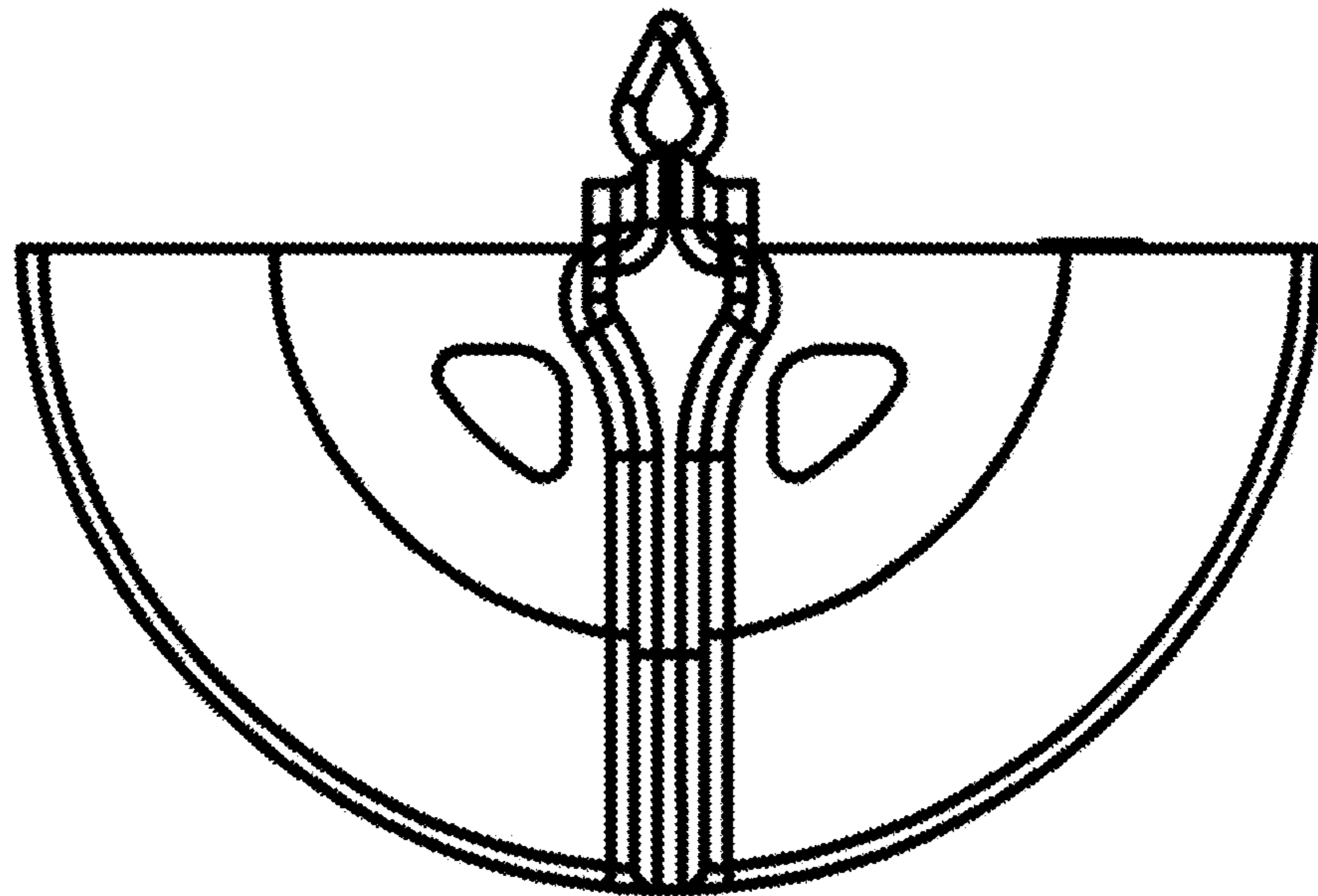


FIG. 8

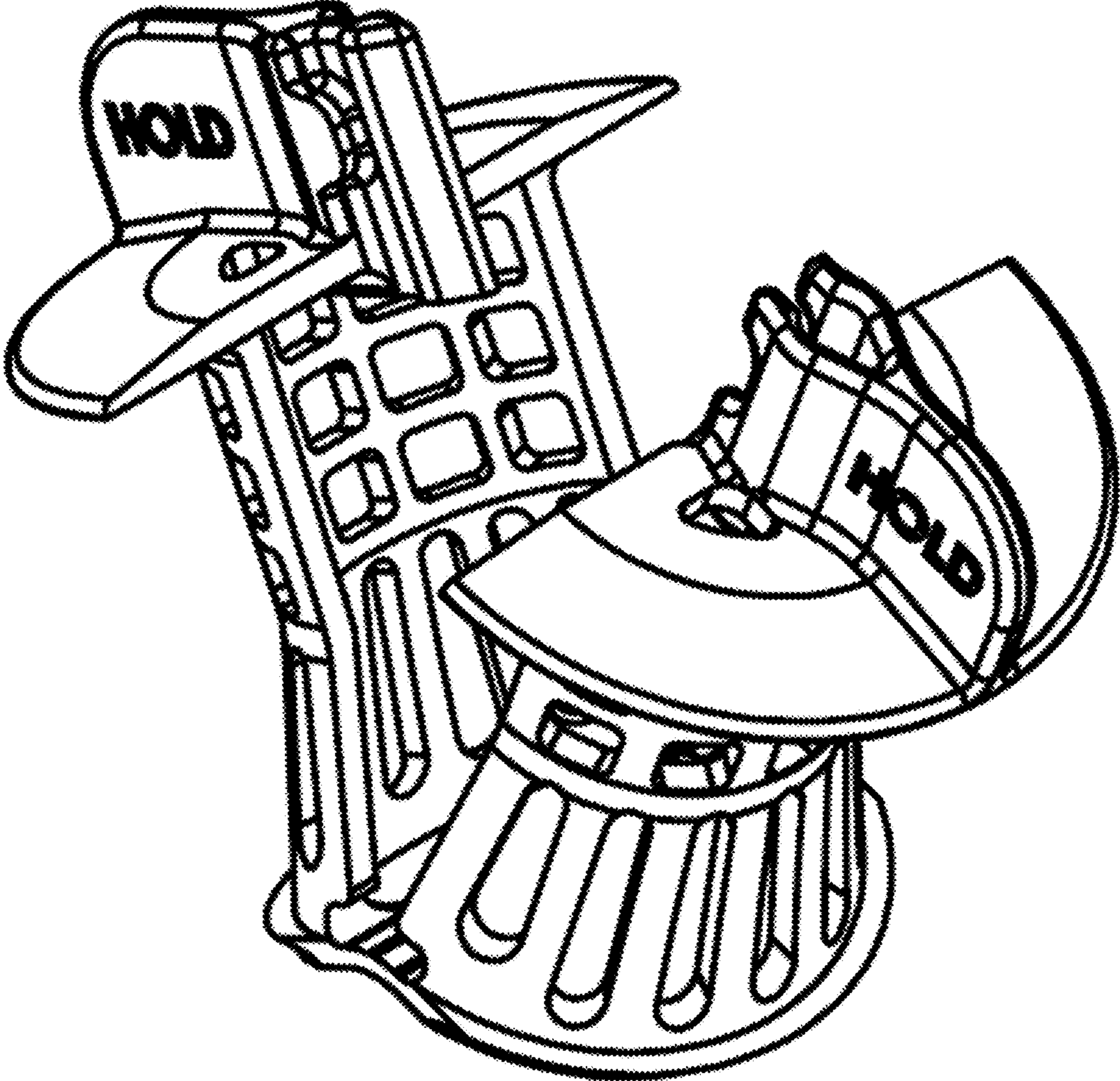


FIG. 9

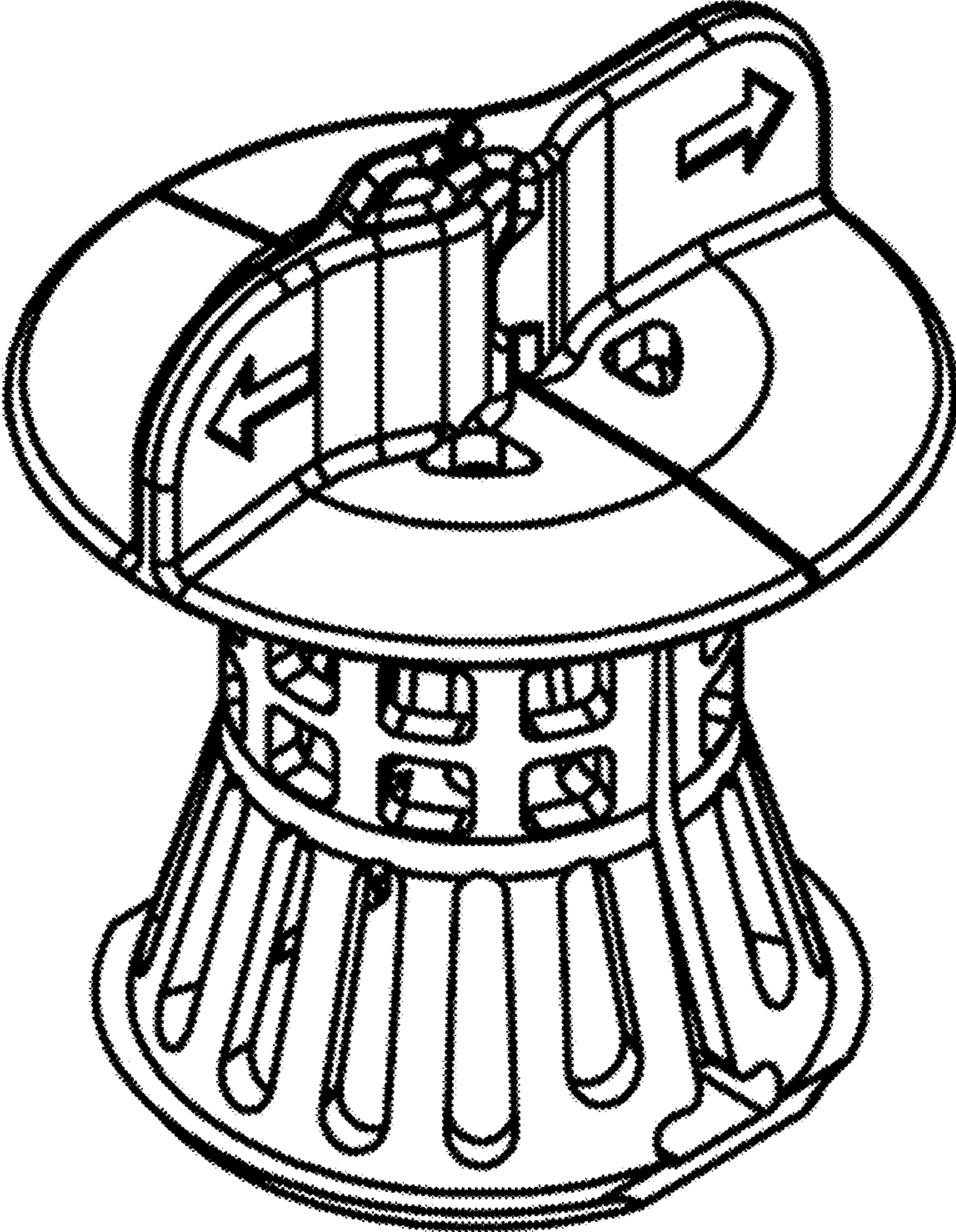


FIG. 10

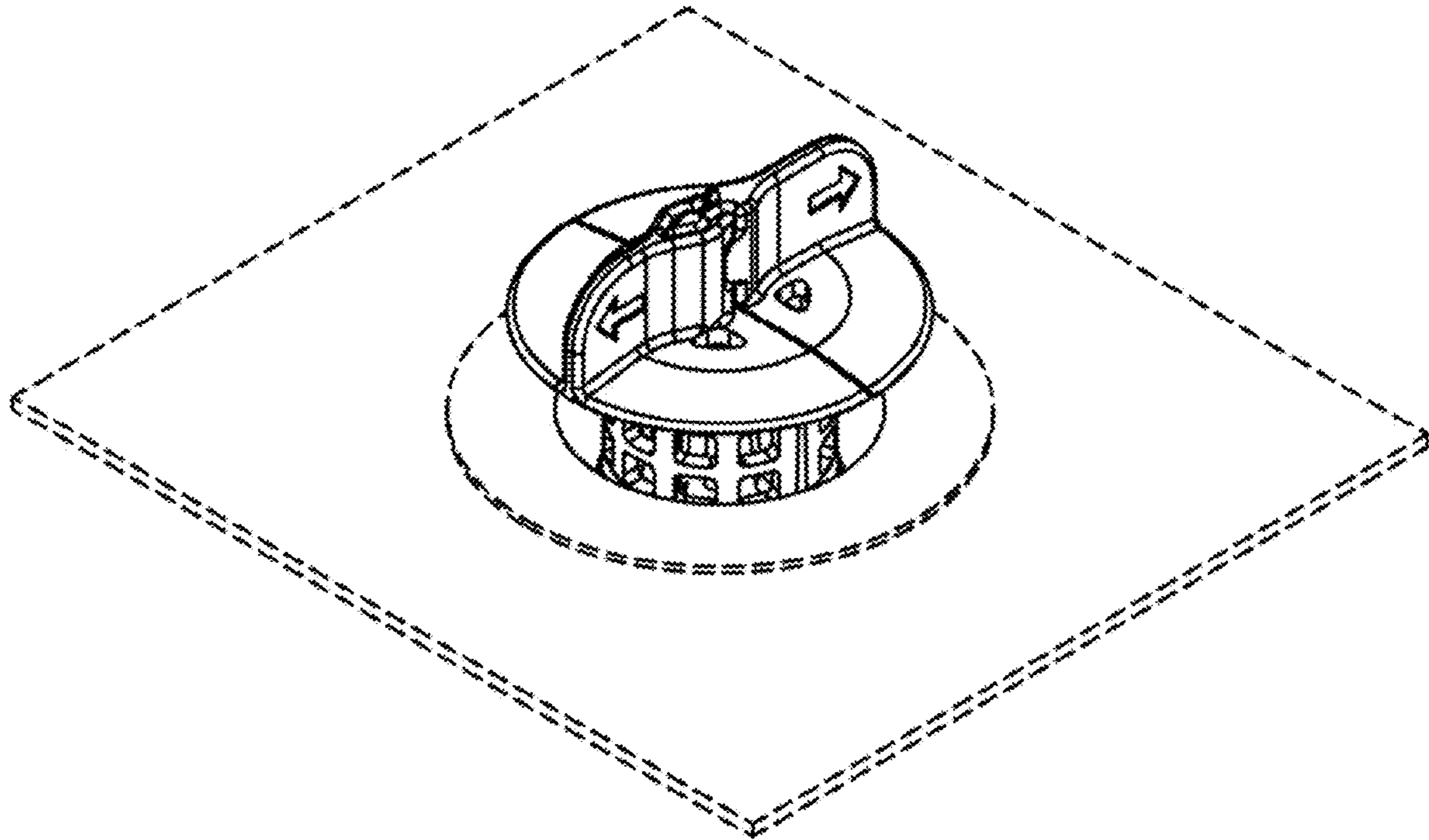


FIG. 11