



US00D972090S

(12) **United States Design Patent** (10) **Patent No.:** **US D972,090 S**
Liu (45) **Date of Patent:** **** Dec. 6, 2022**

(54) **DRAIN FILTER**

FOREIGN PATENT DOCUMENTS

(71) Applicant: **SHEN ZHEN LEI TE NETWORK TECHNOLOGY CO., LTD**, Shenzhen (CN)

CN 202130432209.6 * 7/2021
EM 008635809 * 8/2021

OTHER PUBLICATIONS

(72) Inventor: **Jun Liu**, Hengyang (CN)

(**) Term: **15 Years**

(21) Appl. No.: **29/804,220**

(22) Filed: **Aug. 19, 2021**

(30) **Foreign Application Priority Data**

Jul. 8, 2021 (CN) 202130432209.6

(51) **LOC (13) Cl.** **23-01**

(52) **U.S. Cl.**
USPC **D23/260**

(58) **Field of Classification Search**
USPC D23/208–209, 259–261; D7/667;
4/290–295, 222.1, 286, 300.3, 583, 652
See application file for complete search history.

(56) **References Cited**

U.S. PATENT DOCUMENTS

D517,664 S * 3/2006 Hill D23/261
D553,225 S * 10/2007 Wolf D23/261
D670,794 S 11/2012 Antonello
D728,077 S * 4/2015 Luo D23/260
D728,078 S * 4/2015 Scott D23/261
D748,442 S 2/2016 White
D840,000 S * 2/2019 Yoshihara D23/260
D862,664 S * 10/2019 Si D23/261
D873,972 S 1/2020 Hayes
D873,975 S * 1/2020 Chen D23/261
D900,982 S * 11/2020 Rosario D23/261
D905,206 S * 12/2020 Colacino D23/261
D919,773 S * 5/2021 Luo D23/261
2010/0024108 A1 * 2/2010 Yang E03C 1/23
4/295
2012/0060275 A1 * 3/2012 Cheng E03C 1/2306
4/689
2017/0314244 A1 * 11/2017 Beck E03C 1/262

GOWIN Universal bathroom Sink Stopper; First Available Feb. 10, 2022; Visited Online Jul. 26, 2022; https://www.amazon.com/dp/B09S5NVWXC/ref=sspa_dk_detail_0?pd_rd_i=B09S5NVWXC&pd_rd_w=cA6HW&content-id=amzn1.sym.bff6e147-54ad-4be3-b4ea-ec19ea6167f7&pf_rd_p=fff6e147-54ad-4be3-b4ea-ec19ea6167f7&pf_rd_r=SVFK1YRRTW2KEEYSZHKB&pd_rd_wg=Wh7Zq&pd_rd_r=03a72f78-9562-4b83-861b-a4cc66346295&s=kitchen&spLa=ZW5jcnlwdGVkUXVhbGlmaWVyPUEwWIVNU05HU05YT0k4JmVuY3J5cHRlZGlkaWUwMDUyMDM3MTRESE9SOEtBMEdWSCZlbnNyeXB0ZWZlbnRlZG9Ob3Rmb2dDbGJjaz10cnVI&th=1 (Year: 2022).*

* cited by examiner

Primary Examiner — Amy C Wierenga
(74) *Attorney, Agent, or Firm* — Rumit R. Kanakia

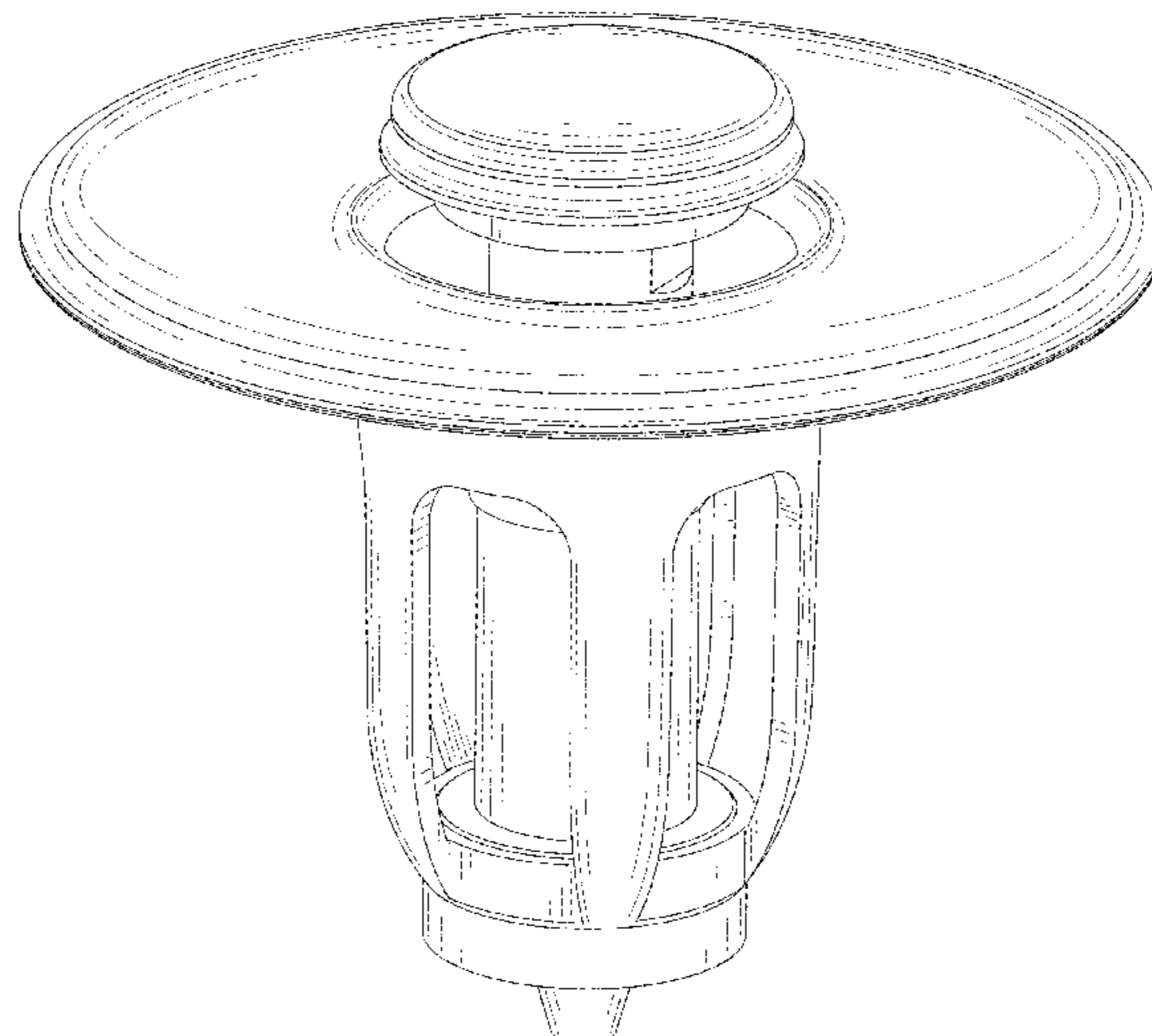
(57) **CLAIM**

The ornamental design for a drain filter, as shown and described.

DESCRIPTION

FIG. 1 is a perspective view of a drain filter showing my new design;
FIG. 2 is a front view thereof;
FIG. 3 is a back view thereof;
FIG. 4 is a left side view thereof;
FIG. 5 is a right side view thereof;
FIG. 6 is a top view thereof; and,
FIG. 7 is a bottom view thereof.

1 Claim, 7 Drawing Sheets



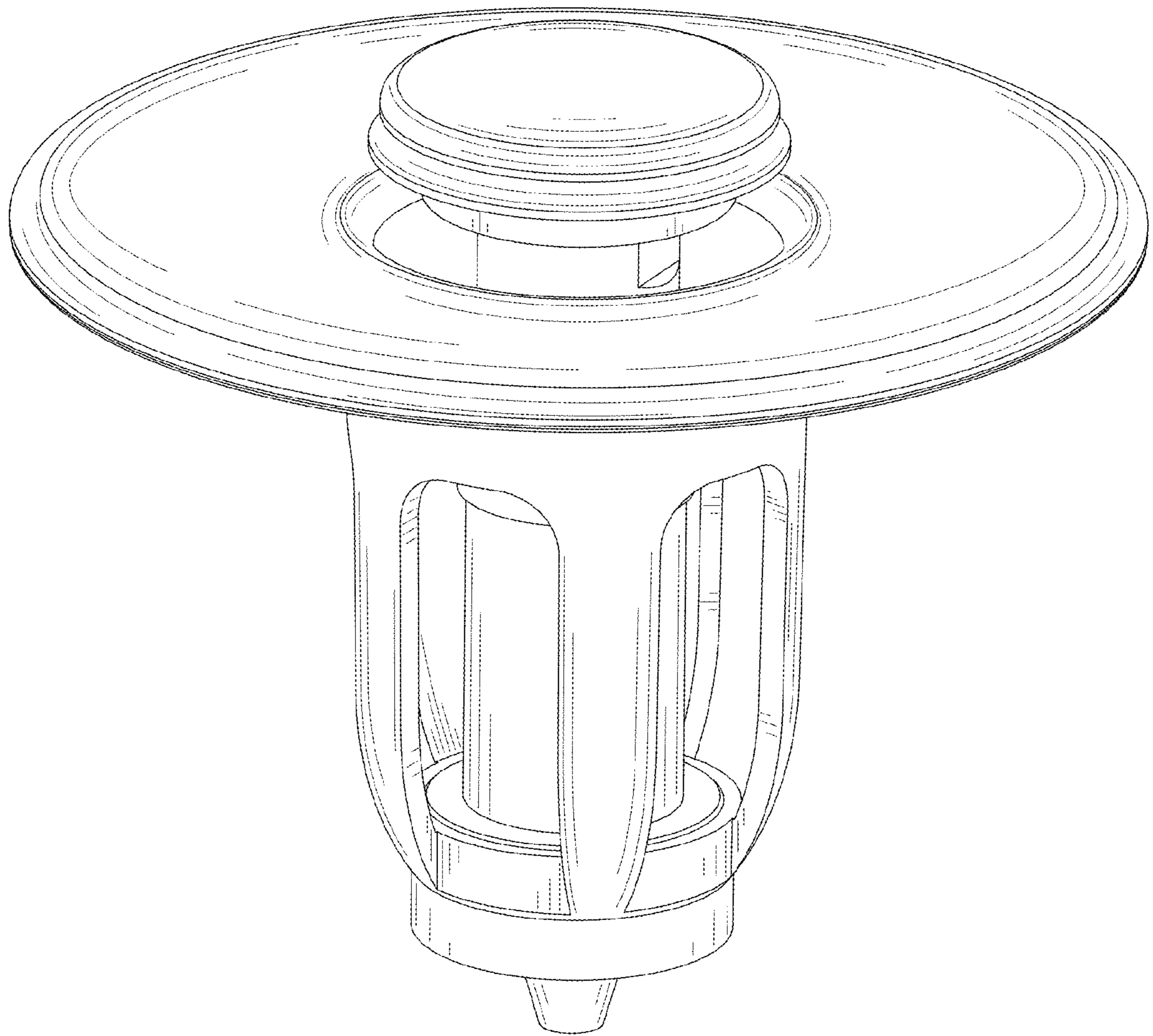


FIG. 1

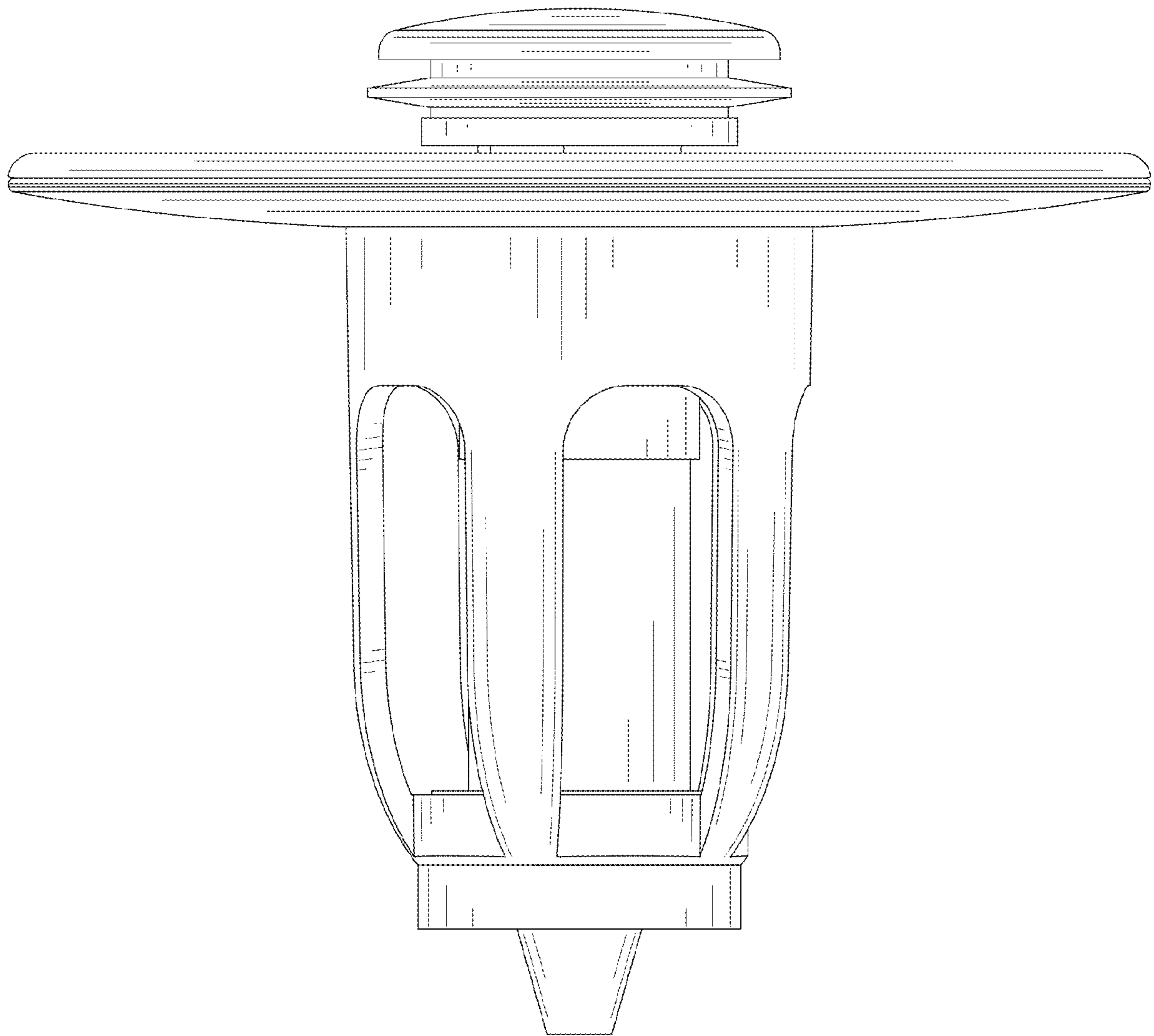


FIG. 2

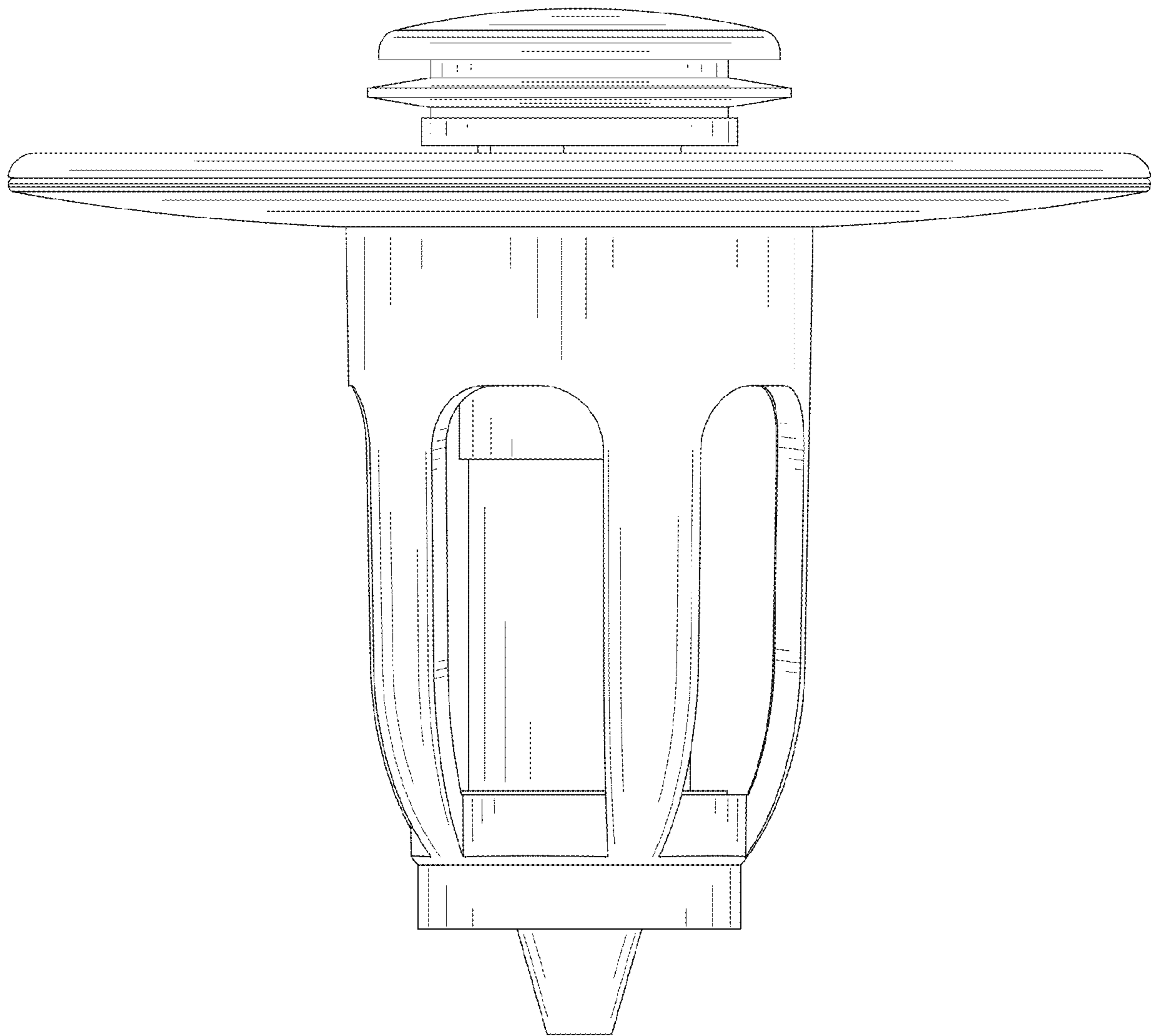


FIG. 3

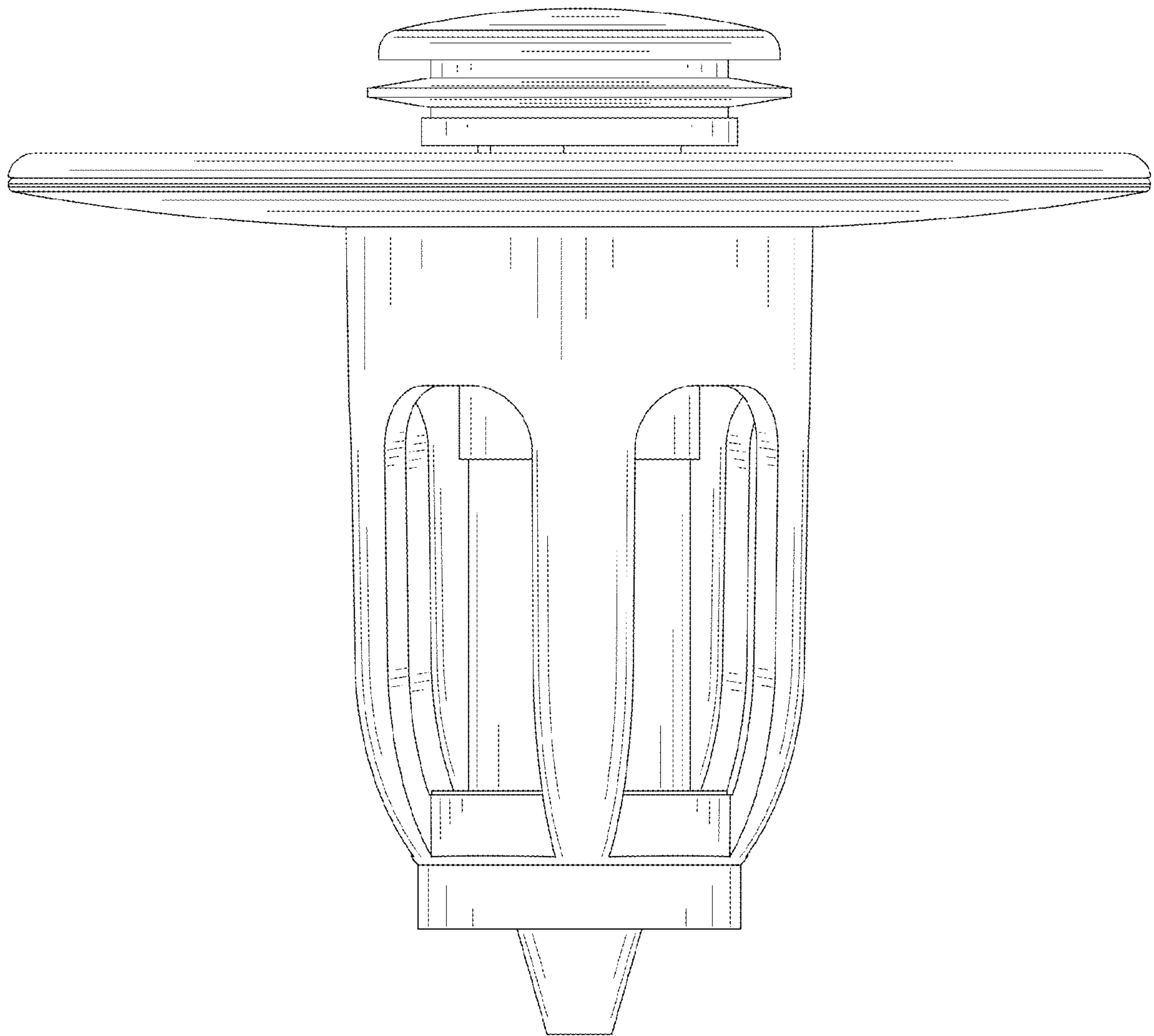


FIG. 4

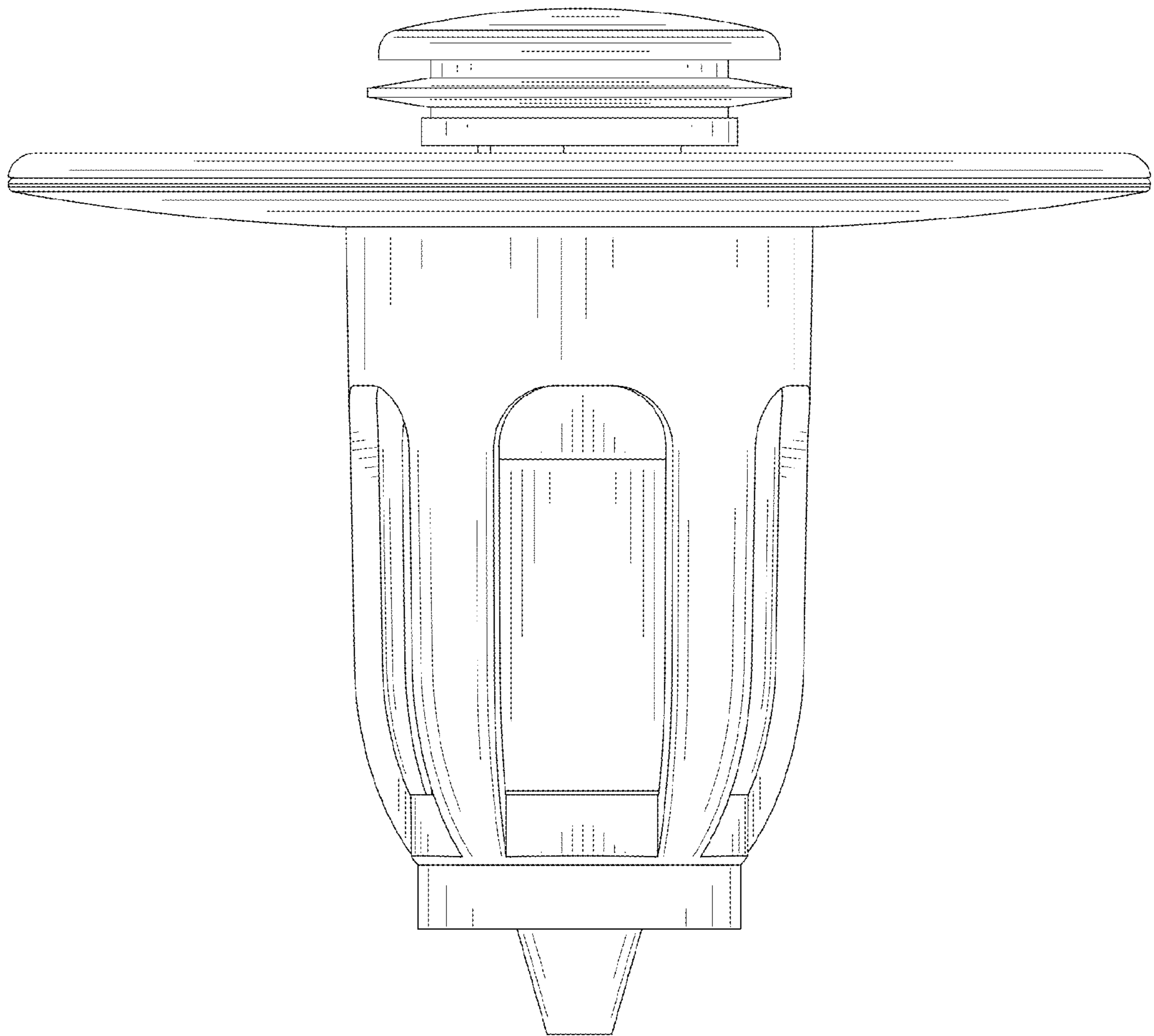


FIG. 5

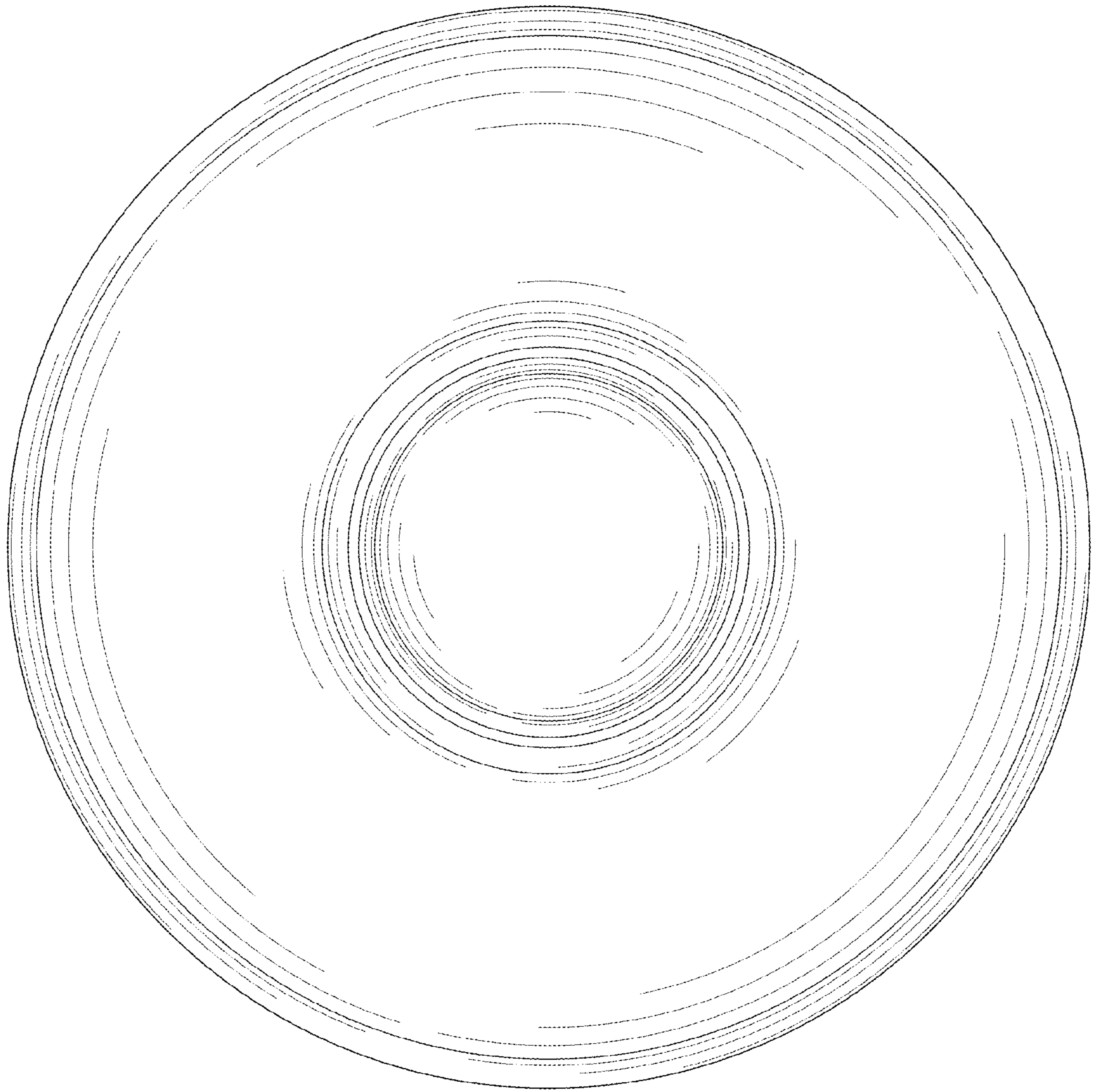


FIG. 6

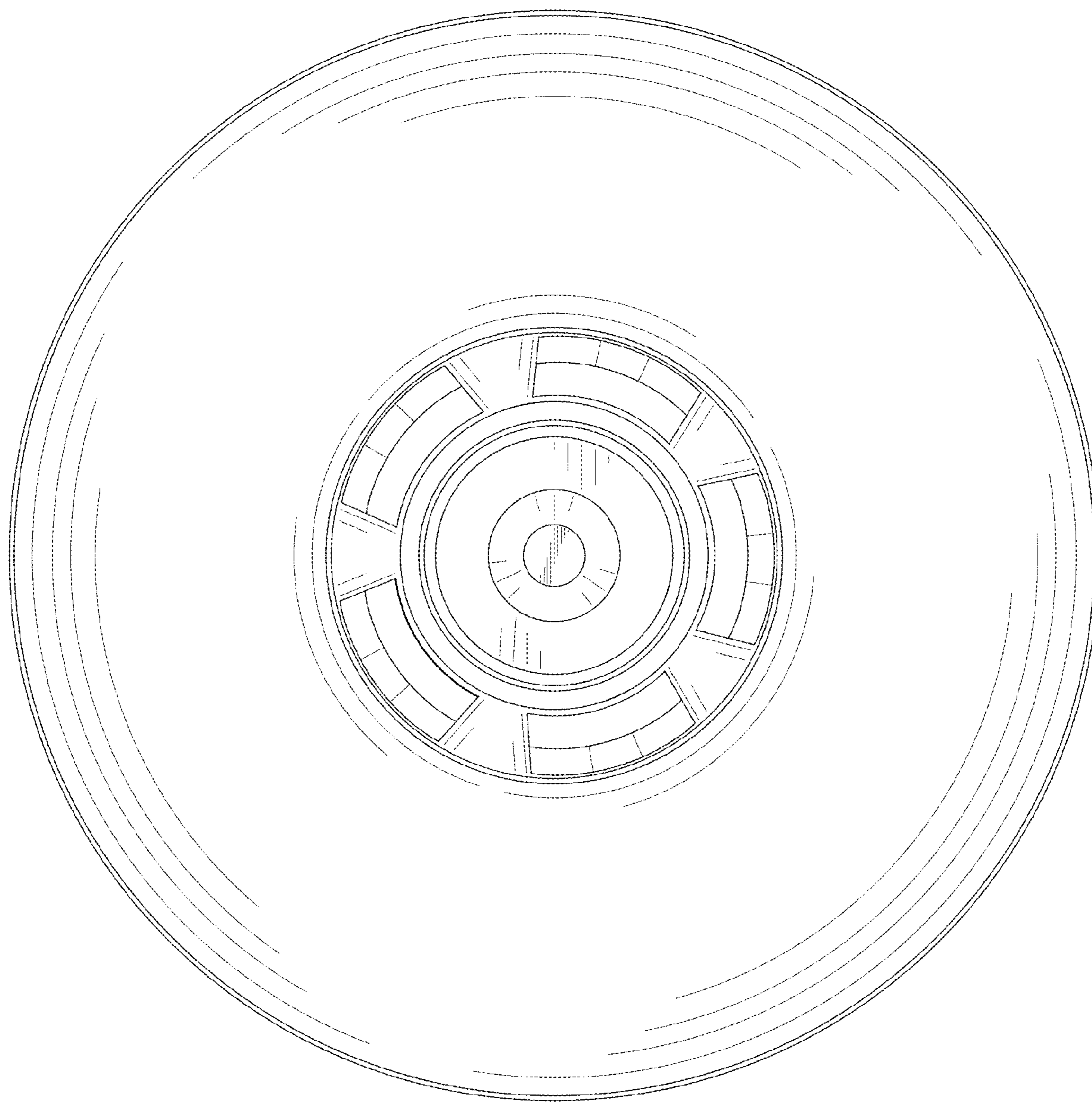


FIG. 7