



US00D972089S

(12) **United States Design Patent** (10) **Patent No.:** **US D972,089 S**  
**Barber et al.** (45) **Date of Patent:** **\*\* Dec. 6, 2022**

(54) **FAUCET**

FOREIGN PATENT DOCUMENTS

(71) Applicant: **HANSGROHE SE**, Schiltach (DE)  
(72) Inventors: **Edward Barber**, London (GB); **Jay Osgerby**, London (GB)  
(73) Assignee: **Hansgrohe SE**, Schiltach (DE)  
(\*\*) Term: **15 Years**

CN	302243869	12/2012
CN	304875771	11/2018
DE	402008001893-0001	9/2008
EM	000064571-0008	1/2004
EM	001658295-0002	2/2010
EM	003534742-0001	1/2017
EM	006295192-0002	3/2019
EM	006376745-0001	4/2019
GB	9006295192-0002	3/2019

(Continued)

(21) Appl. No.: **29/771,840**

(22) Filed: **Feb. 25, 2021**

(51) **LOC (13) Cl.** ..... **23-01**

(52) **U.S. Cl.**  
USPC ..... **D23/257**

(58) **Field of Classification Search**  
USPC ..... D23/238–244, 252, 254–255, 257, 499;  
D7/398  
CPC .... F16K 31/602; F16K 31/605; F16K 31/607;  
E03C 1/0412

See application file for complete search history.

(56) **References Cited**

U.S. PATENT DOCUMENTS

D445,875 S *	7/2001	Fleischmann	.....	D23/238
D580,519 S *	11/2008	Citterio	.....	D23/255
D801,483 S *	10/2017	Neumayr	.....	D23/242
D838,346 S *	1/2019	Soulier	.....	D23/238
D839,997 S *	2/2019	Cummings	.....	D23/255
D844,756 S *	4/2019	Cummings	.....	D23/255
D846,702 S *	4/2019	Liu	.....	D23/238
D857,846 S *	8/2019	Garland	.....	D23/242
D857,847 S *	8/2019	Garland	.....	D23/242
D857,848 S *	8/2019	Garland	.....	D23/242
D857,849 S *	8/2019	Garland	.....	D23/242
D858,711 S *	9/2019	Garland	.....	D23/242
D865,123 S *	10/2019	Rockwell	.....	D23/238
D890,305 S *	7/2020	Potter	.....	D23/242
D903,057 S *	11/2020	Seum	.....	D23/255
D956,179 S *	6/2022	Anastasiades	.....	D23/238

OTHER PUBLICATIONS

Wall Mount Tub Filler, first available Apr. 21, 2020[online], [site visited Jul. 12, 2022]. Available from internet, URL:<<https://www.amazon.com/dp/B087CQT69R>> (Year: 2020).\*

*Primary Examiner* — David G Muller  
*Assistant Examiner* — Jamaal Rasheed

(74) *Attorney, Agent, or Firm* — Lora J. Graentzdoerffer

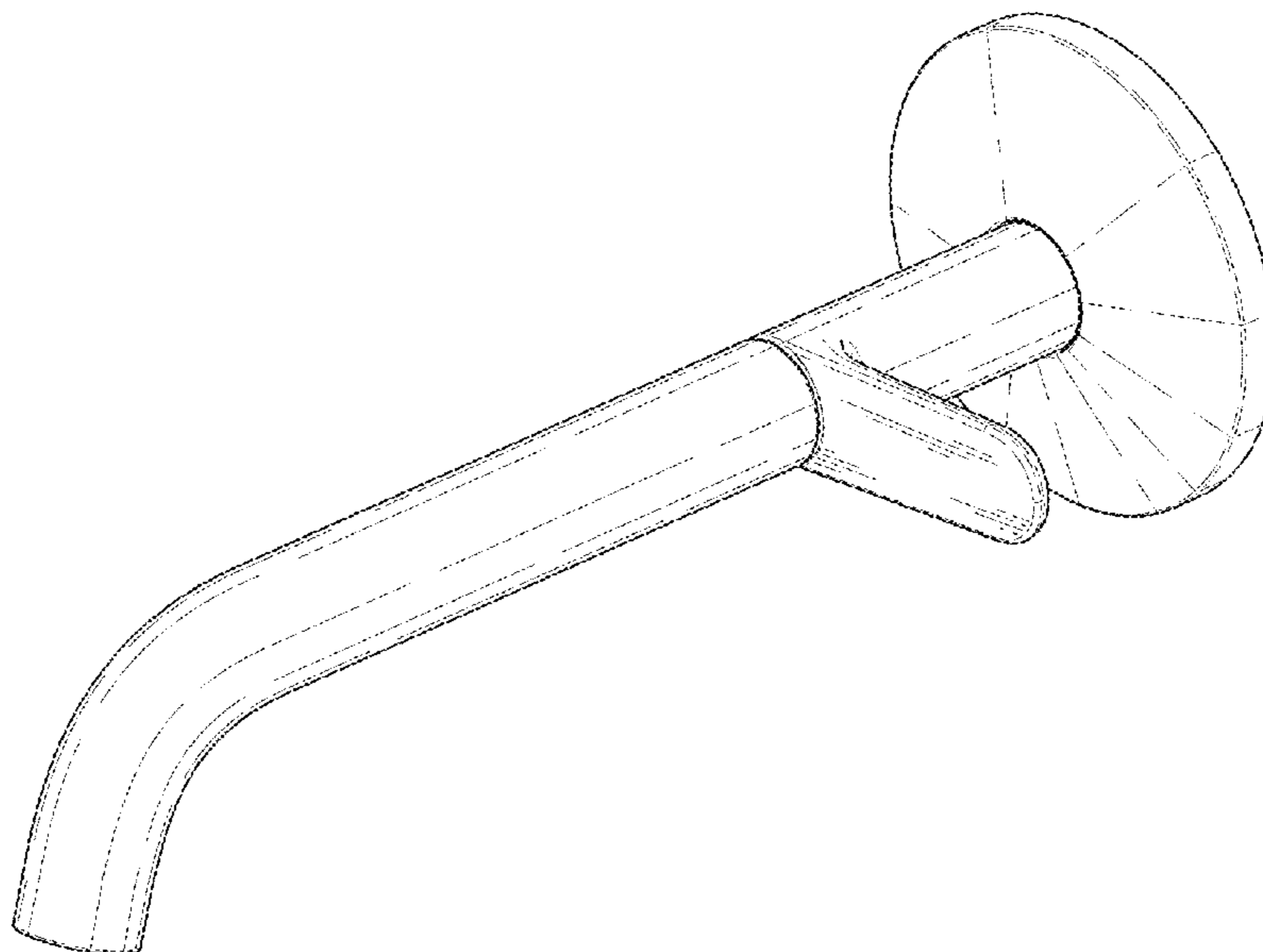
(57) **CLAIM**

The ornamental design for a faucet, as shown and described.

**DESCRIPTION**

FIG. 1 is a perspective view of a faucet showing our new design;  
FIG. 2 is a front elevational view thereof;  
FIG. 3 is a rear elevational view thereof;  
FIG. 4 is a side elevational view thereof;  
FIG. 5 is another side elevational view thereof;  
FIG. 6 is a top plan view thereof; and,  
FIG. 7 is a bottom plan view thereof.  
The broken-line disclosures in the drawings represent portions of a faucet that form no part of the claimed design.

**1 Claim, 7 Drawing Sheets**



(56)

**References Cited**

FOREIGN PATENT DOCUMENTS

GB	9006376745-0001	4/2019
IN	311124-0001	* 12/2019
IT	0000064571-0008	1/1993
WO	D064800-007	1/2004

\* cited by examiner

FIG. 1

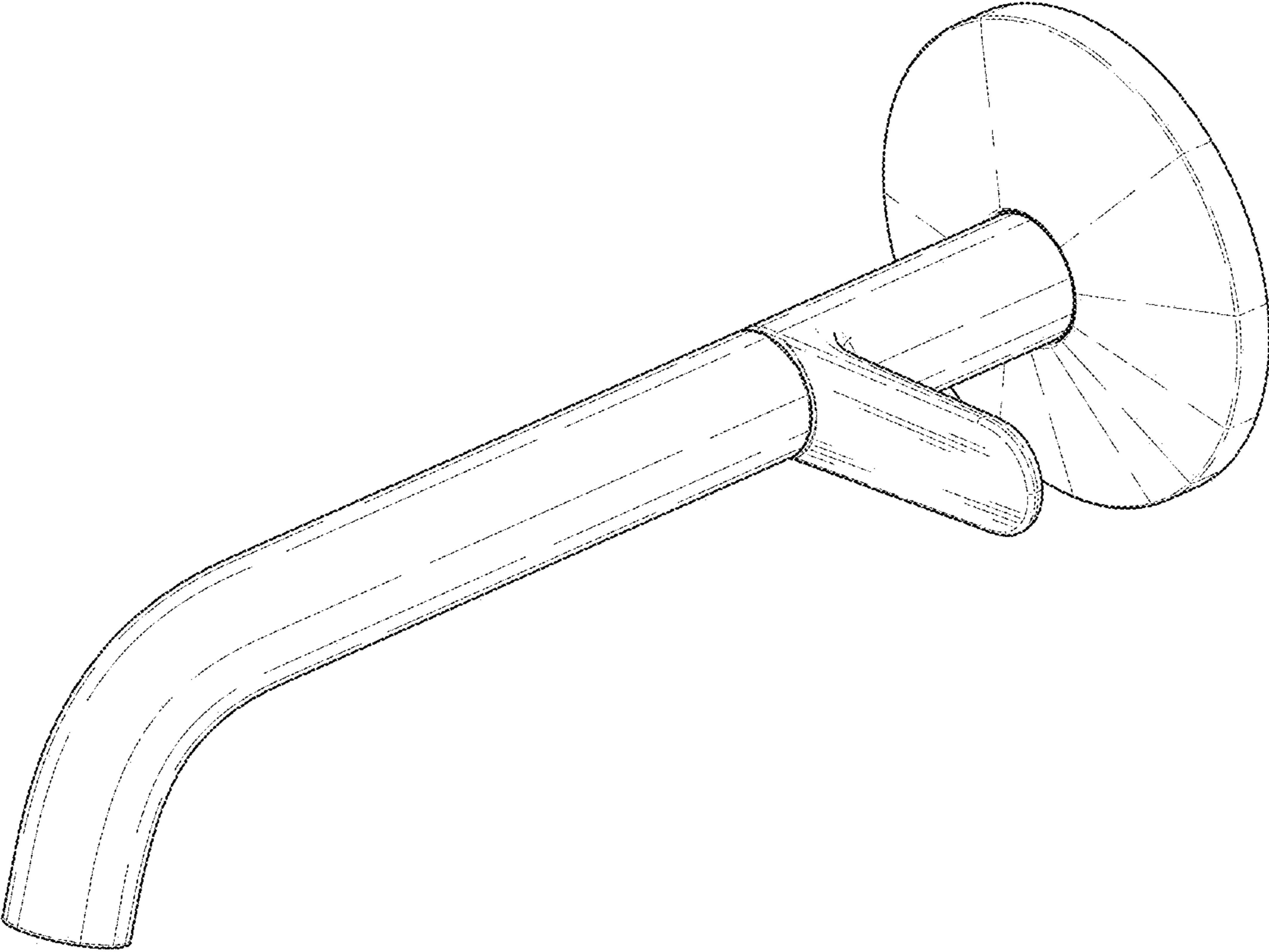


FIG. 2

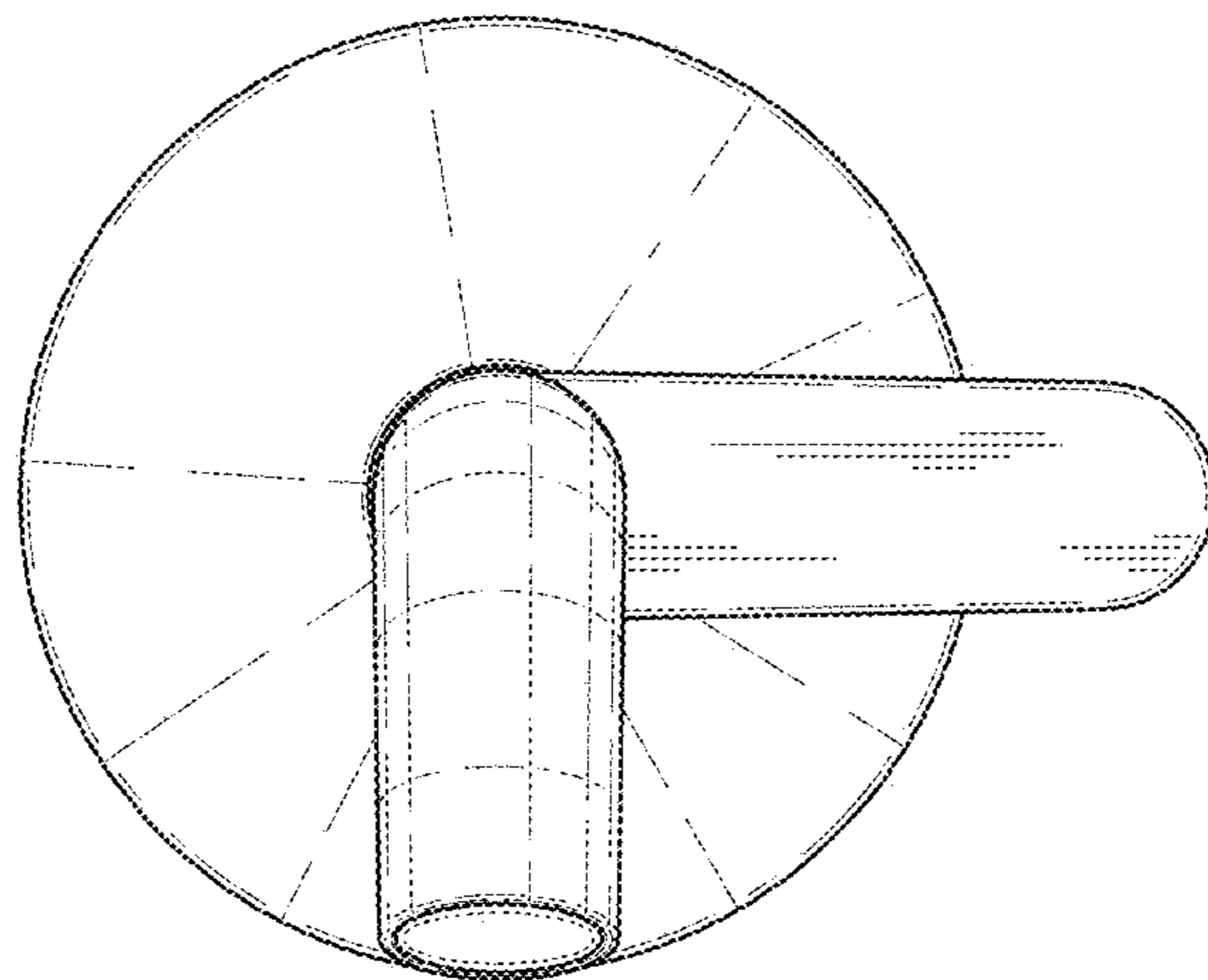


FIG. 3

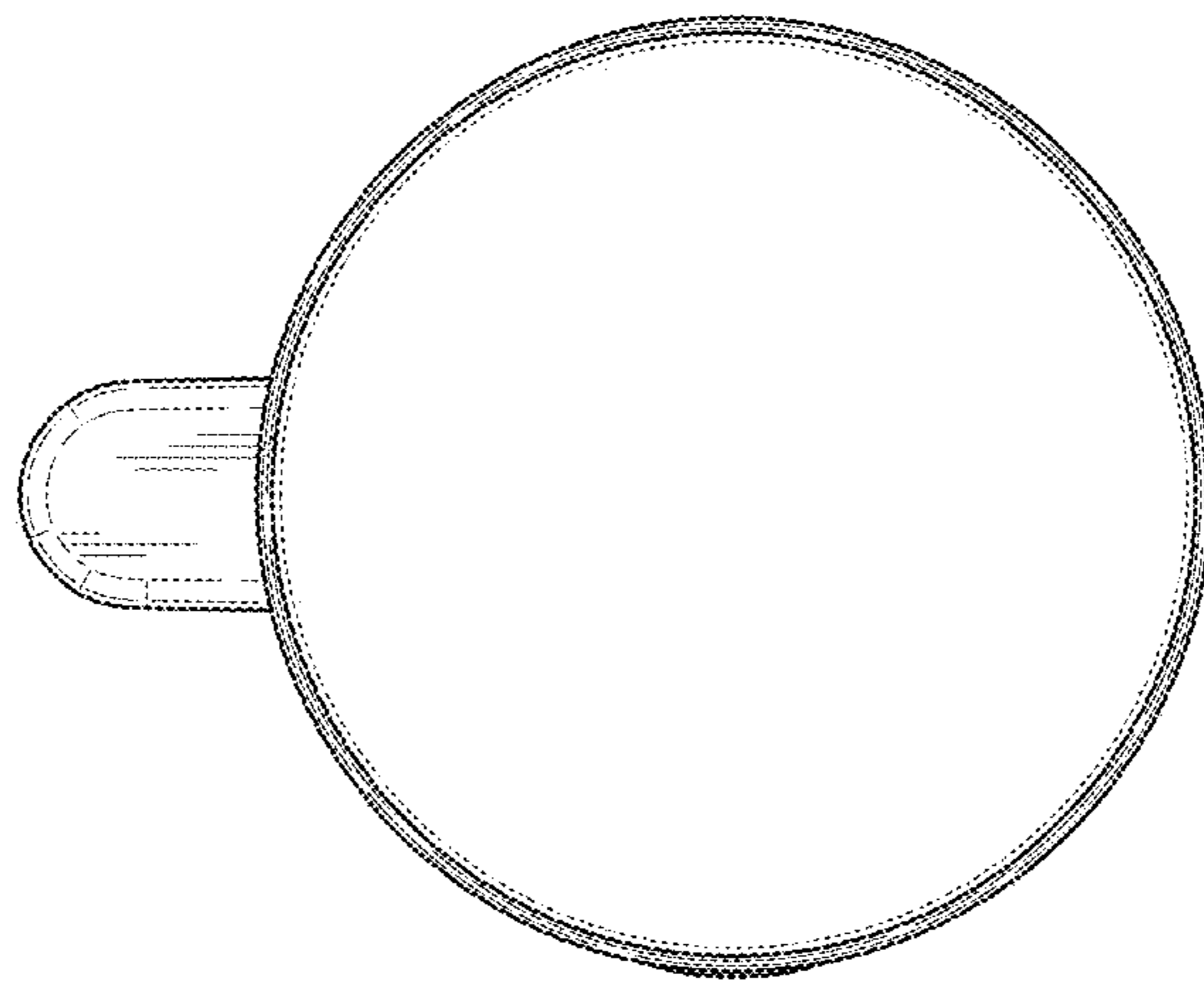


FIG. 4

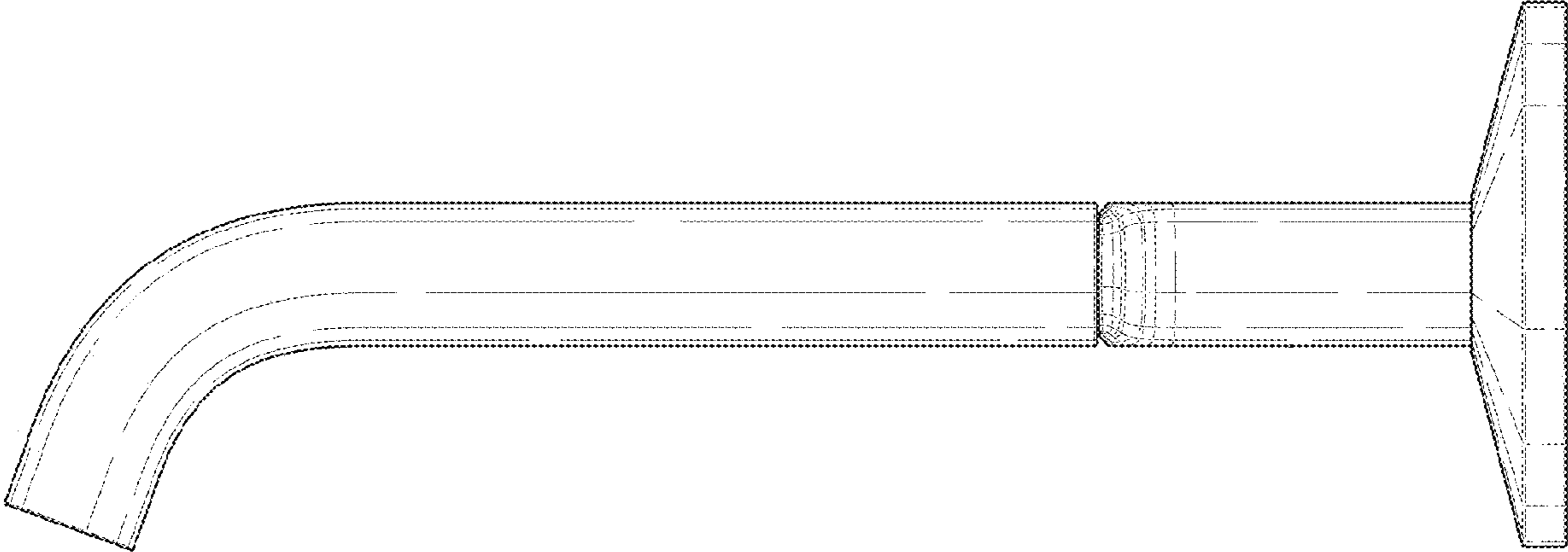


FIG. 5

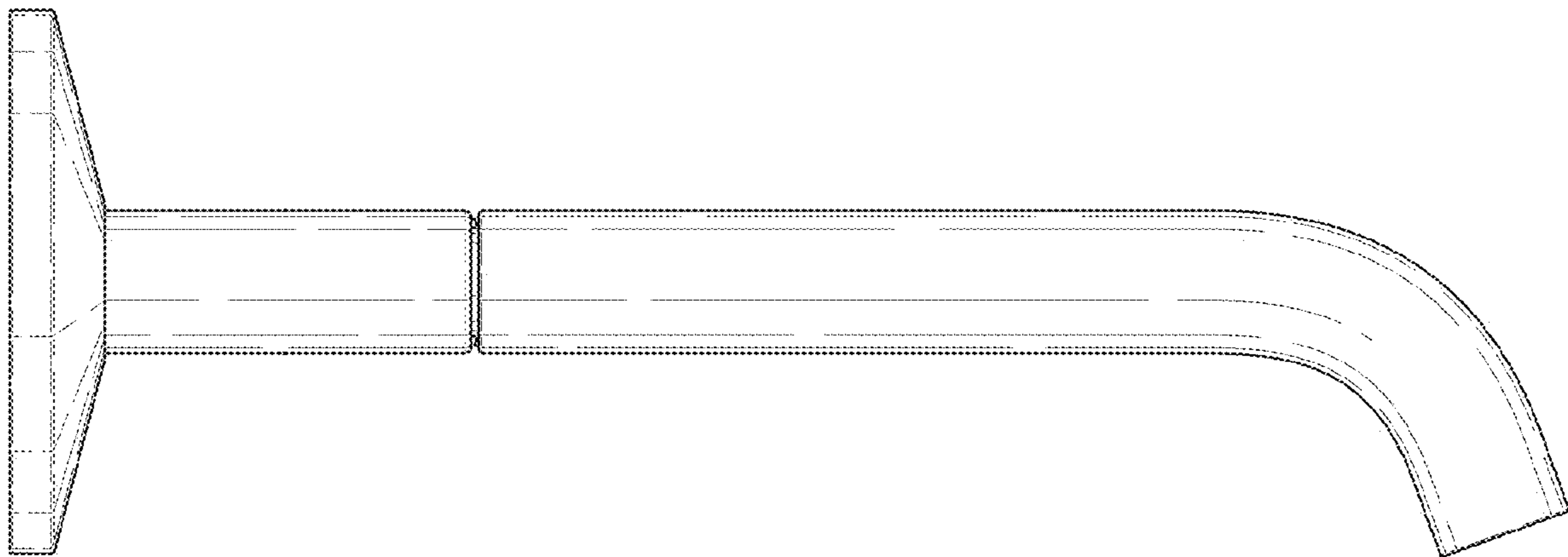


FIG. 6

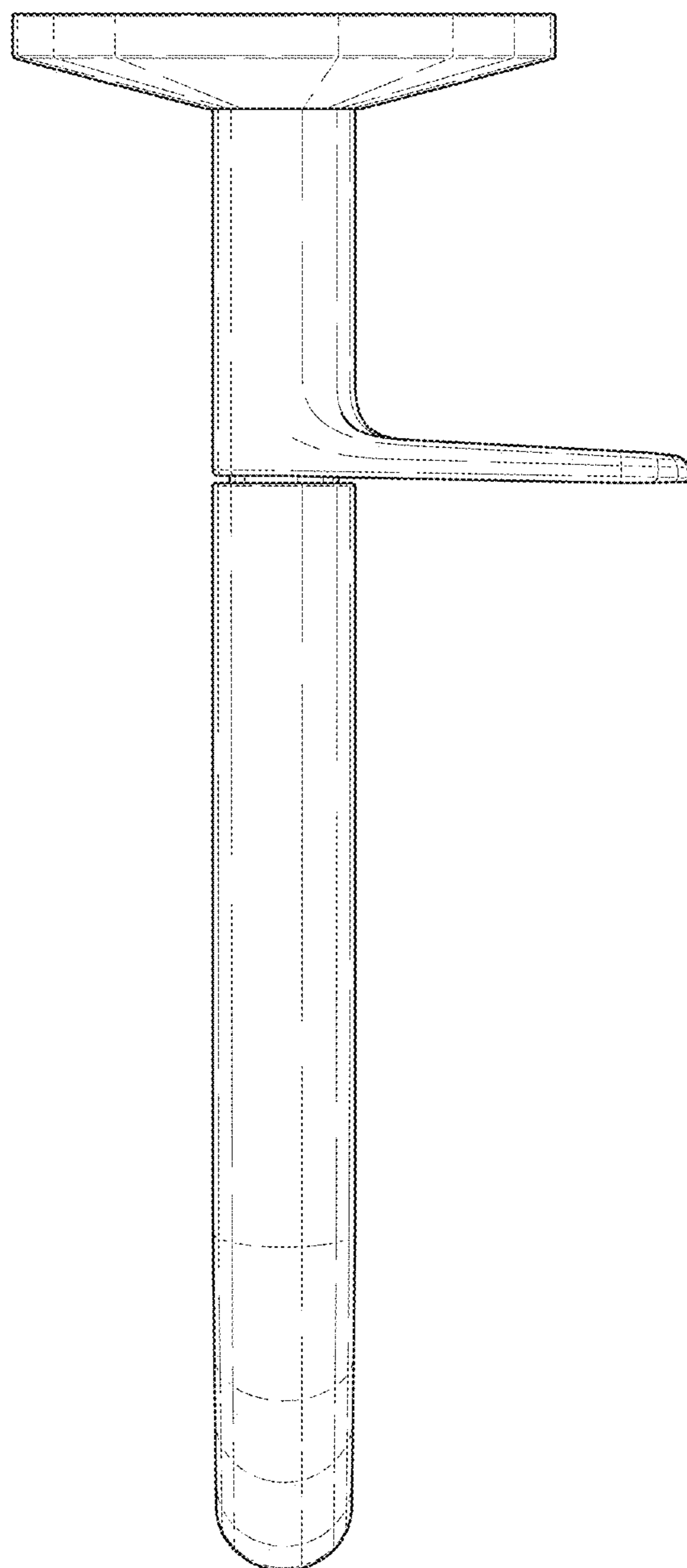




FIG. 7

