



US00D972087S

(12) **United States Design Patent**
Han et al.

(10) **Patent No.:** **US D972,087 S**

(45) **Date of Patent:** **** Dec. 6, 2022**

(54) **FAUCET**

(71) Applicant: **Grohe AG**, Hemer (DE)

(72) Inventors: **Jung-Beom Han**, Duesseldorf (DE);
Patrick de Arins Speck, London (GB)

(73) Assignee: **Grohe AG**, Hemer (DE)

(**) Term: **15 Years**

(21) Appl. No.: **29/757,885**

(22) Filed: **Nov. 10, 2020**

(30) **Foreign Application Priority Data**

May 11, 2020 (EM) 007880760-0009

(51) **LOC (13) Cl.** **23-01**

(52) **U.S. Cl.**
USPC **D23/238**

(58) **Field of Classification Search**
USPC D23/238, 239, 240, 241, 242, 243, 246,
D23/247, 249, 250, 251, 252, 253, 254,
D23/255, 256, 257
CPC E03C 1/00; E03C 1/01; E03C 1/02; E03C
1/023; E03C 1/04; E03C 1/0401; E03C
1/0403; E03C 1/0404; E03C 1/0412;
E03C 1/05; E03C 1/042; F16K 31/60
See application file for complete search history.

(56) **References Cited**

U.S. PATENT DOCUMENTS

D352,991 S *	11/1994	Kohler, Jr.	D23/238
D358,199 S *	5/1995	Wang	D23/238
D410,068 S *	5/1999	Gottwald	D23/238
D411,610 S *	6/1999	Lobermeier	D23/238
D434,832 S *	12/2000	Fleischmann	D23/238
D435,287 S *	12/2000	Fleischmann	D23/238
D439,952 S *	4/2001	Fleischmann	D23/238
D445,166 S *	7/2001	Spangler	D23/238
D445,876 S *	7/2001	Spangler	D23/238

D566,235 S *	4/2008	Heck	D23/249
D647,177 S *	10/2011	Liao	D23/238
D685,061 S *	6/2013	Yu	D23/238

(Continued)

FOREIGN PATENT DOCUMENTS

CN	201630525171	*	11/2016
CN	202030633423.3	*	10/2020

(Continued)

OTHER PUBLICATIONS

Amazon, Grohe 33300002—Eurosmart Single-lever bath/shower mixer tap, posted Apr. 17, 2015, [online], [visited May 2, 2022]. Internet, <URL: <https://www.amazon.co.uk/GROHE-33300002-Eurosmart-Single-Lever-Shower/dp/B00RTG0DZK/ref?th=1>> (Year: 2015).*

(Continued)

Primary Examiner — Samantha Wood

(74) *Attorney, Agent, or Firm* — Muncy, Geissler, Olds & Lowe, P.C.

(57) **CLAIM**

The ornamental design for a faucet, as shown and described.

DESCRIPTION

FIG. 1 is a front perspective view of a faucet according to the present invention.

FIG. 2 is a front view of the faucet of FIG. 1.

FIG. 3 is a rear view of the faucet of FIG. 1.

FIG. 4 is a left side view of the faucet of FIG. 1.

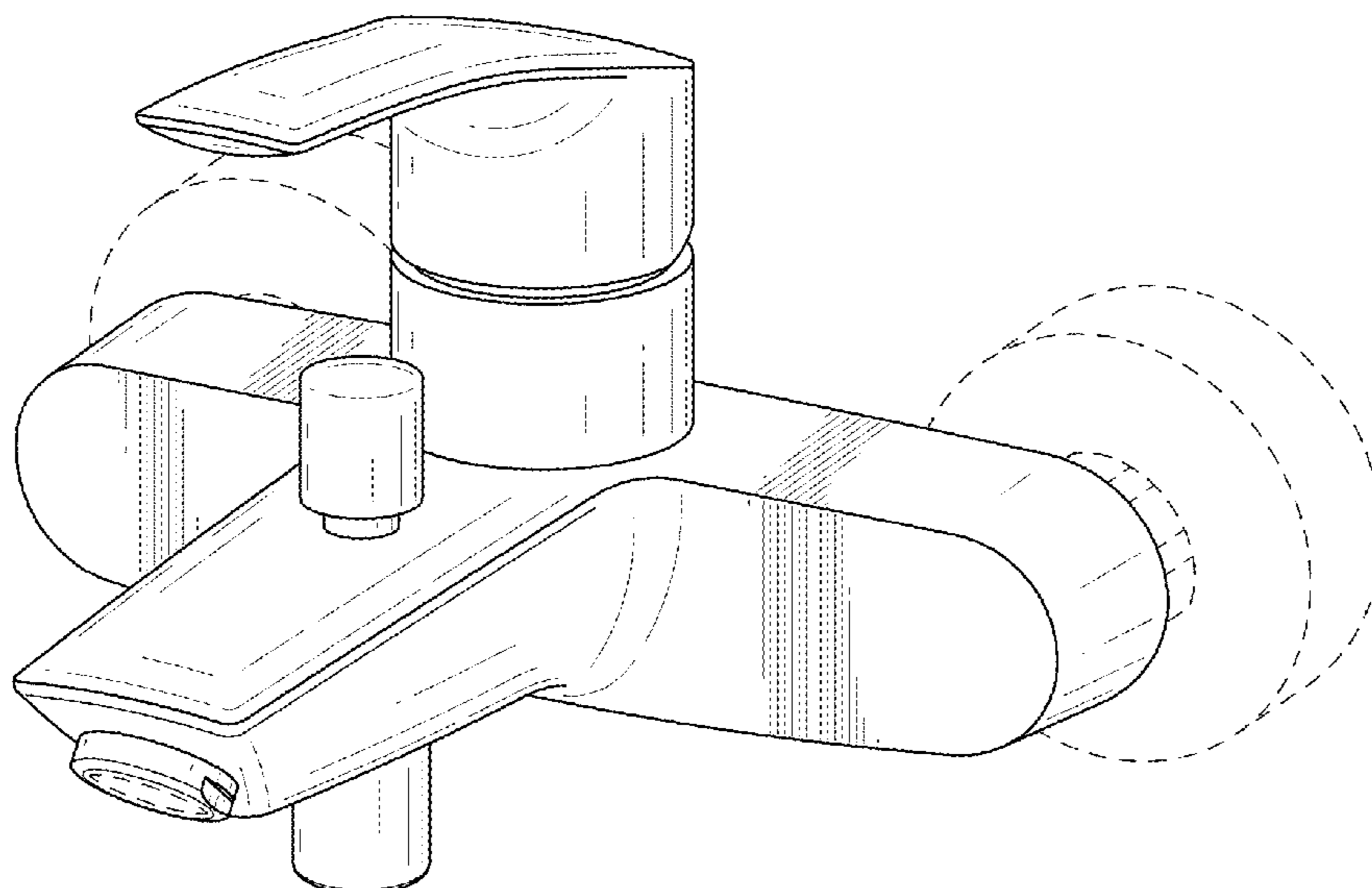
FIG. 5 is a right side view of the faucet of FIG. 1.

FIG. 6 is a top view of the faucet of FIG. 1; and,

FIG. 7 is a bottom view of the Faucet of FIG. 1.

The dashed lines illustrate environment that does not form a part of the present invention, and no claim is made to the material illustrated with dashed lines.

1 Claim, 7 Drawing Sheets



(56)

References Cited

U.S. PATENT DOCUMENTS

D692,107 S * 10/2013 Yu D23/238
D912,779 S * 3/2021 Tanghetti E03C 1/04
D23/238
D946,126 S * 3/2022 Seum D23/257

FOREIGN PATENT DOCUMENTS

CN 202130517149.8 * 8/2021
CN 202130527589.1 * 8/2021

OTHER PUBLICATIONS

Amazon, Grohe Tub mixer tap Grohe Bauedge, posted Dec. 20, 2013, [online], [visited May 2, 2022]. Internet, <URL: <https://www.amazon.co.uk/Tub-mixer-tap-Grohe-Bauedge/dp/B00EXSMLHA/ref?th=1>> (Year: 2013).*

* cited by examiner

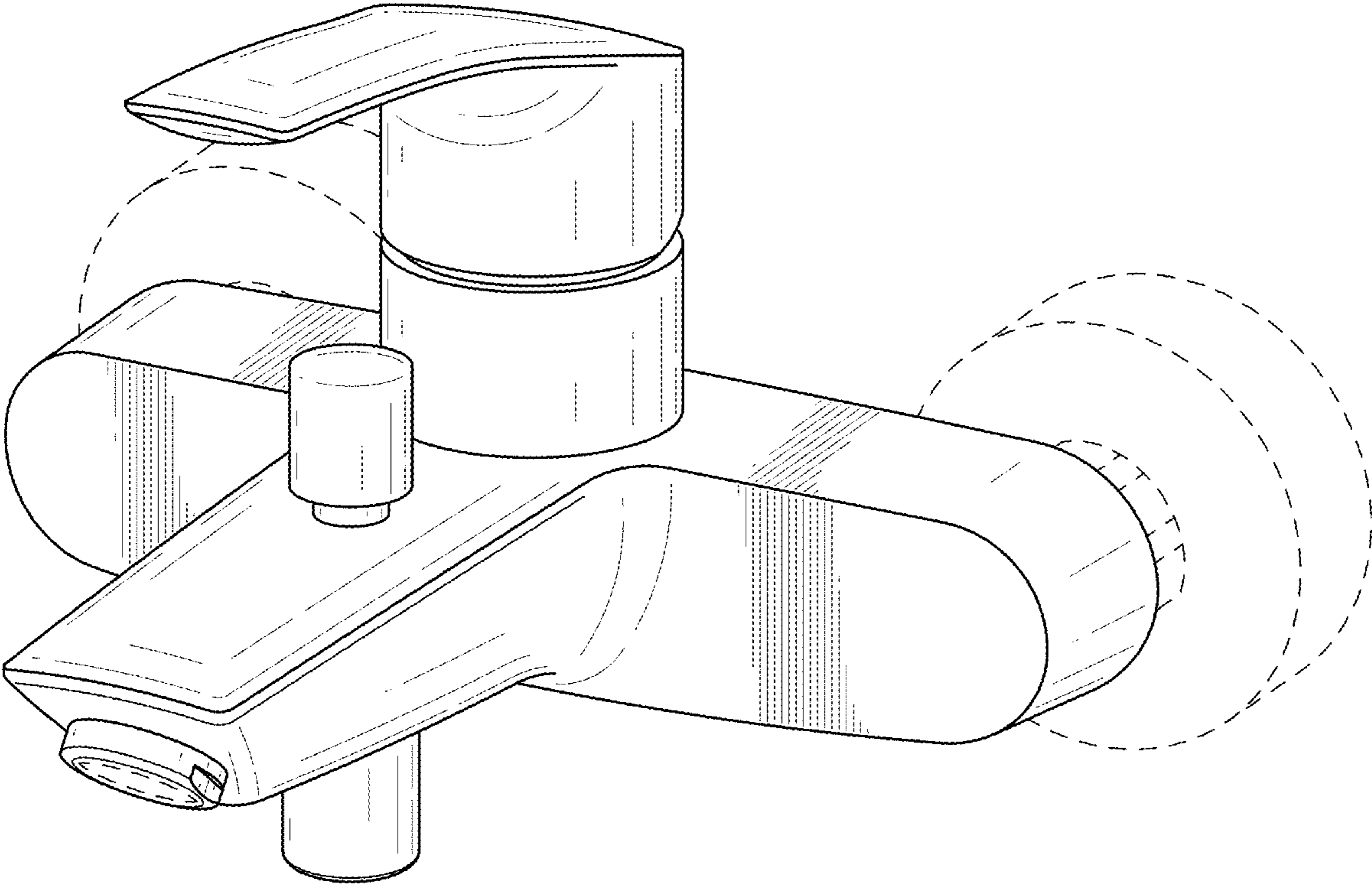


FIG.1

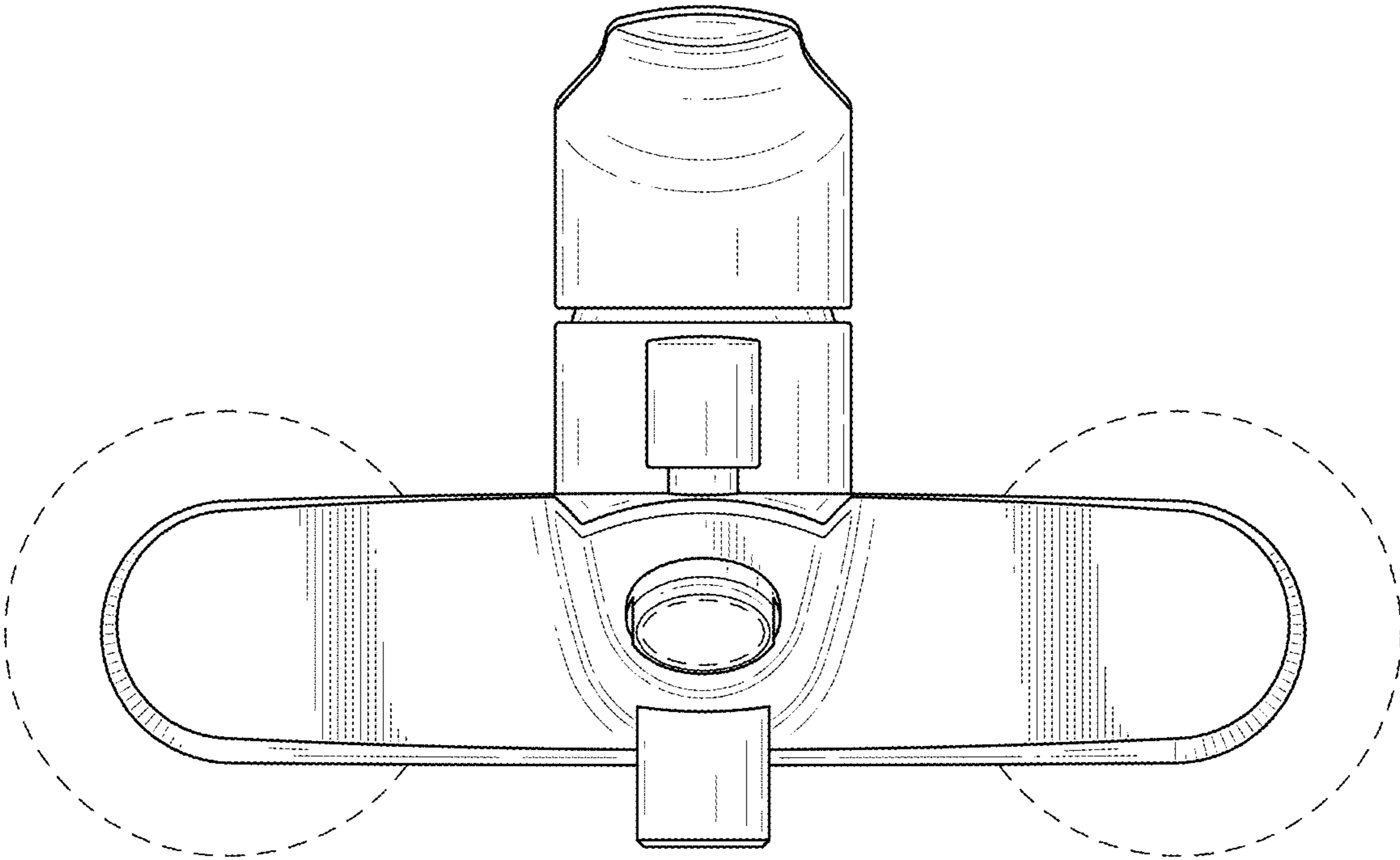


FIG.2

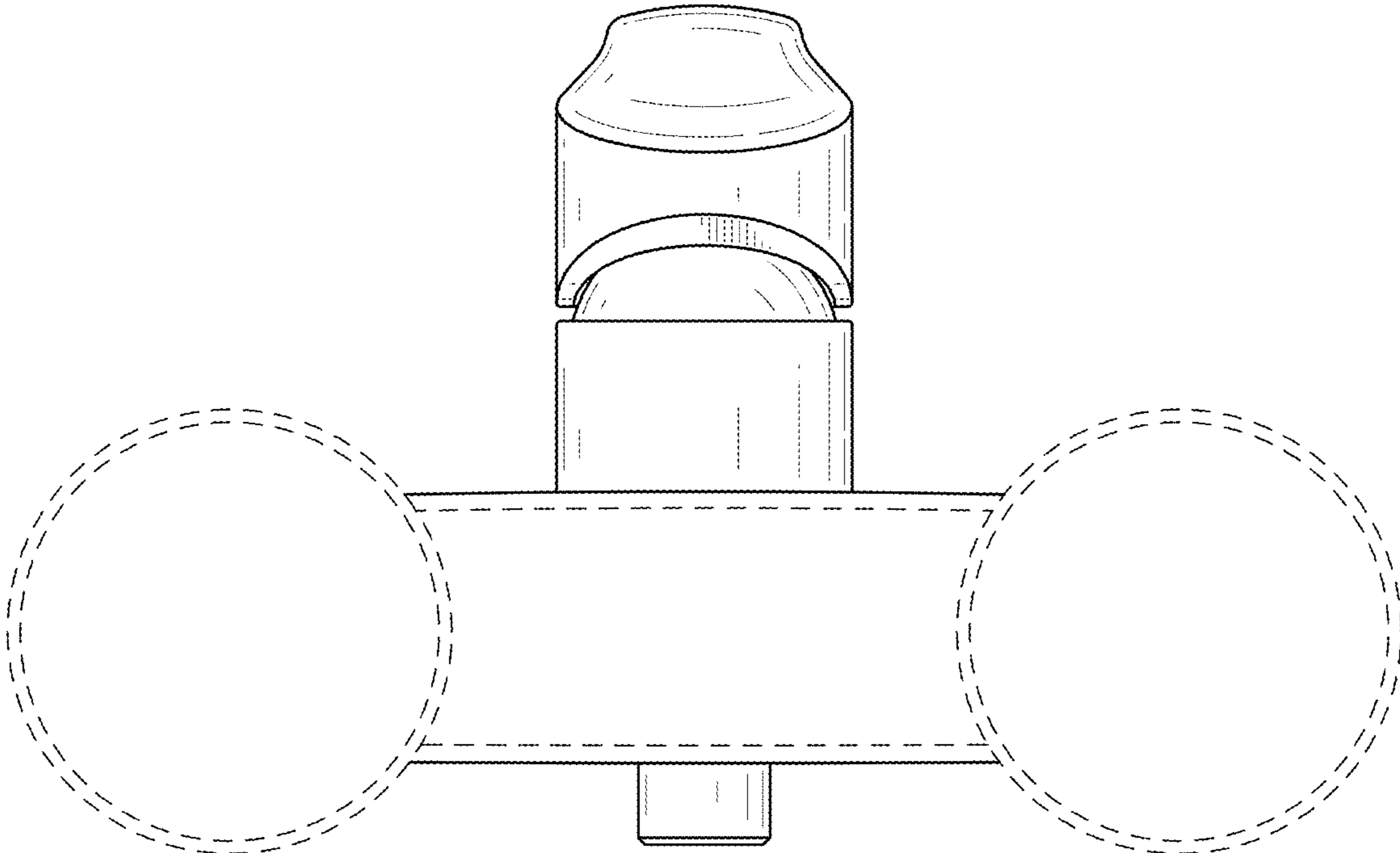


FIG.3

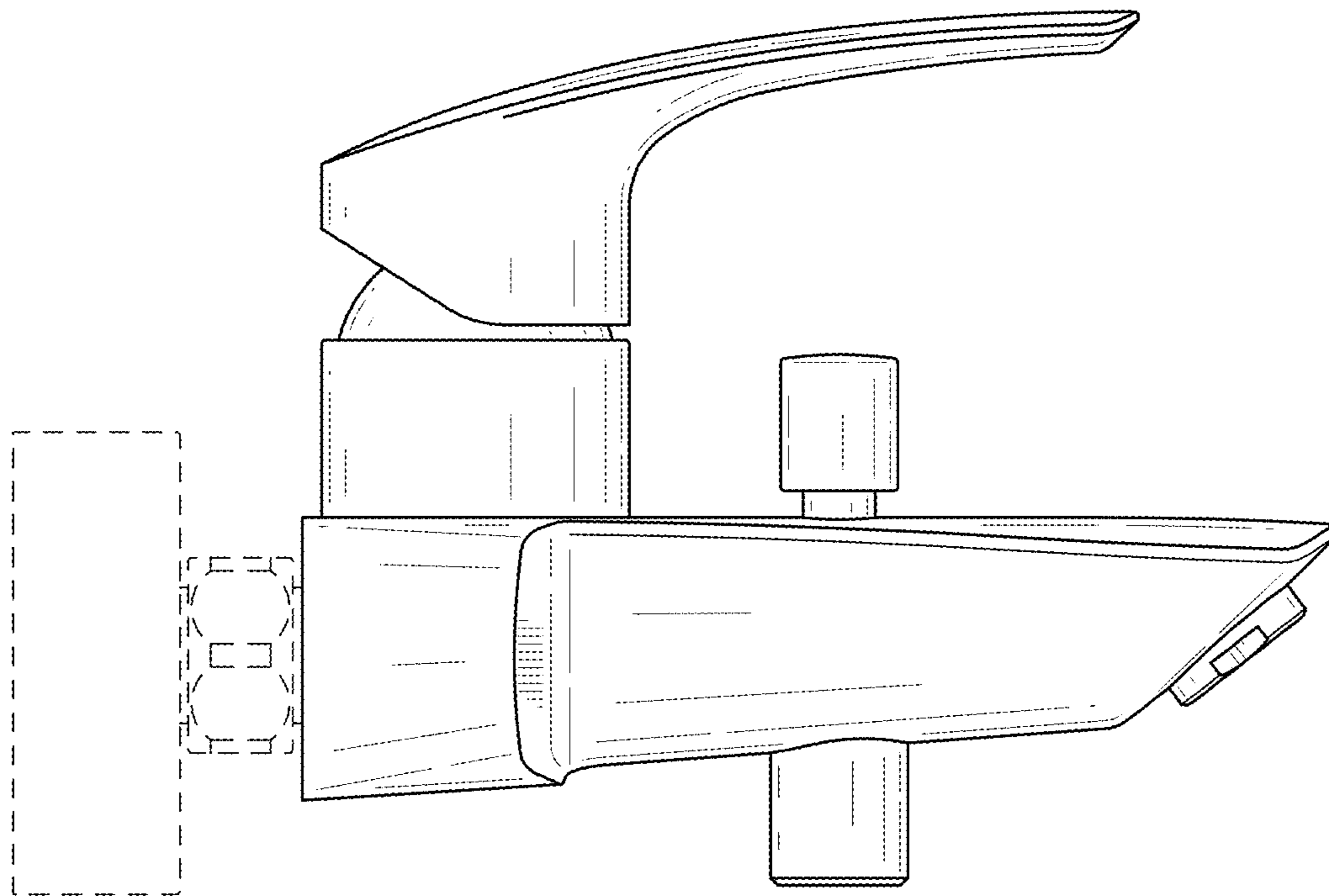


FIG.4

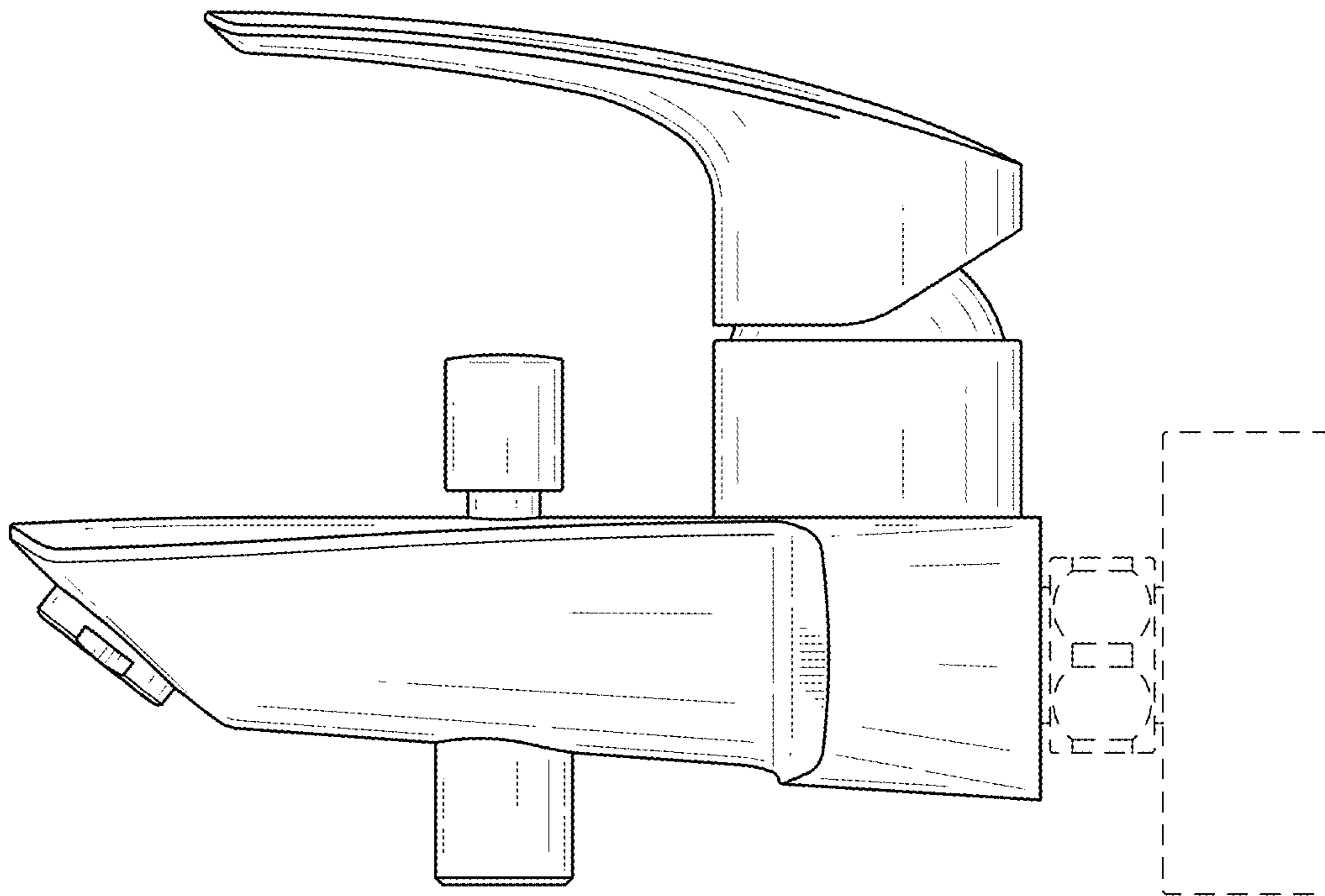


FIG.5

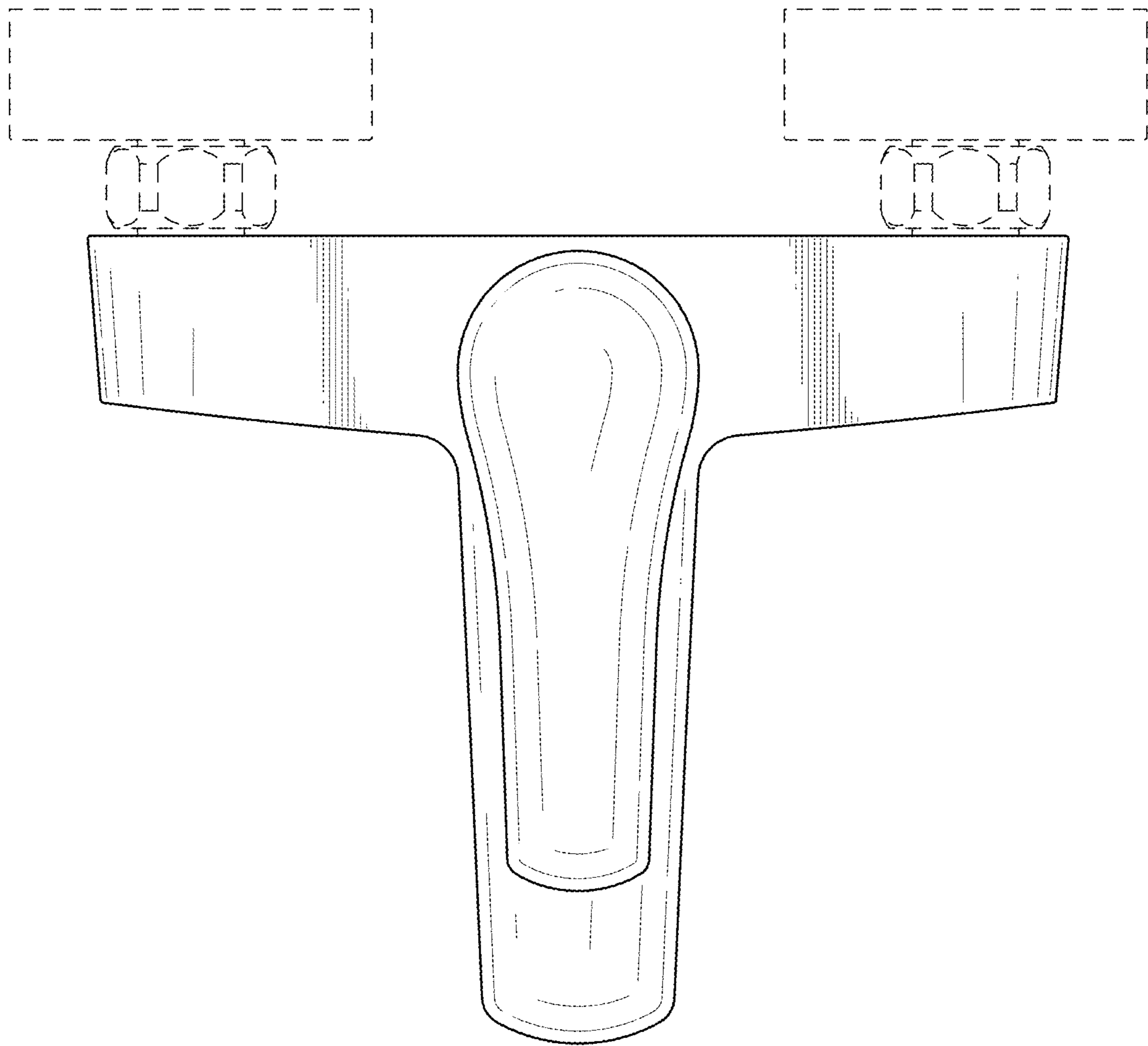


FIG. 6

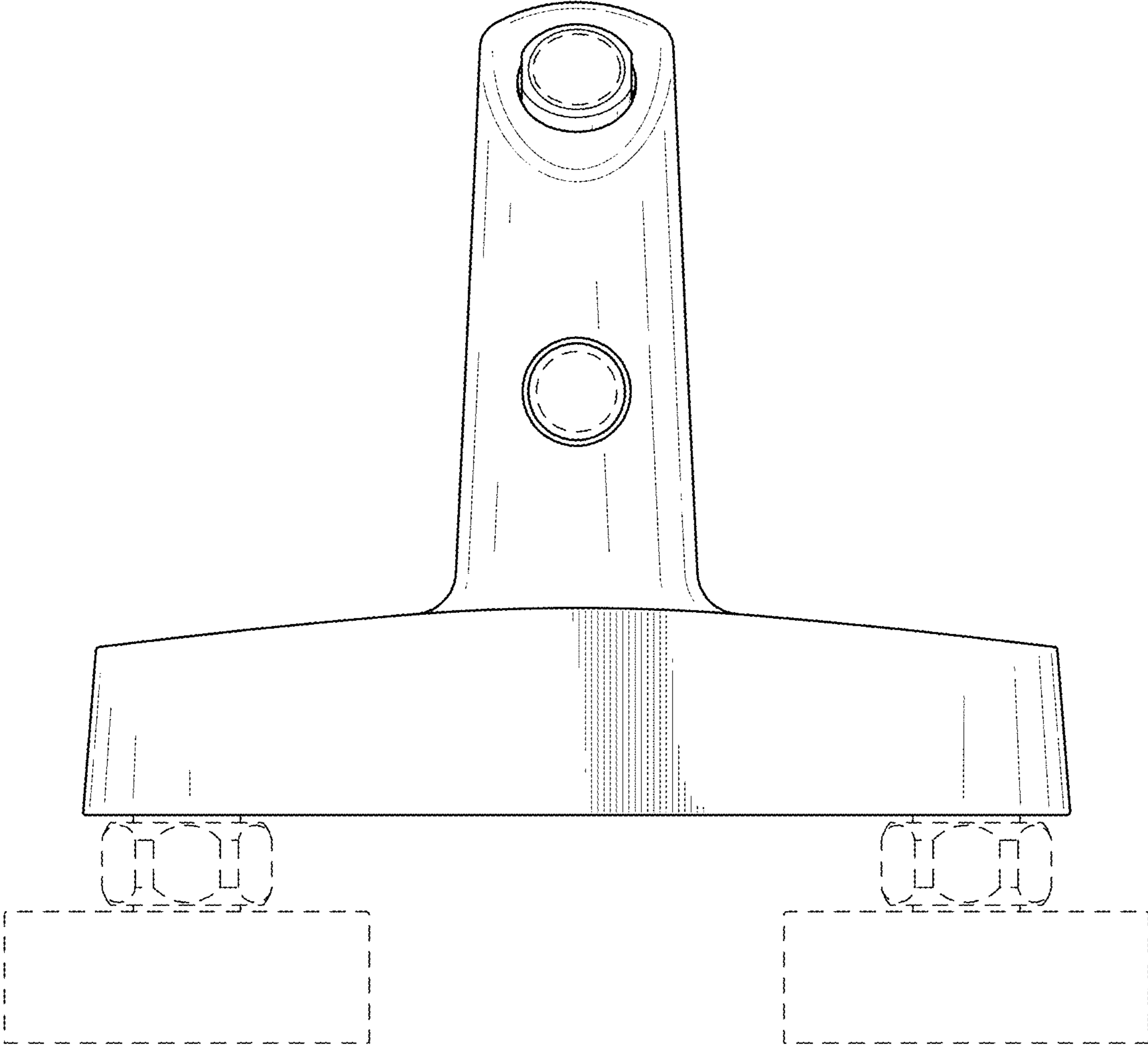


FIG.7