



US00D972083S

(12) **United States Design Patent**  
**Kim et al.**

(10) **Patent No.: US D972,083 S**

(45) **Date of Patent: \*\* \*Dec. 6, 2022**

(54) **SHOWER HEAD**

(71) Applicant: **Poseion Co., Ltd.**, Bucheon-si (KR)

(72) Inventors: **Jungkab Kim**, Gwangmyeong-si (KR);  
**Sanghun Lee**, Incheon (KR)

(\*) Notice: This patent is subject to a terminal disclaimer.

(\*\*) Term: **15 Years**

(21) Appl. No.: **35/509,761**

(22) Filed: **Jan. 21, 2020**

(80) **Hague Agreement Data**

Int. Filing Date: **Jan. 21, 2020**

Int. Reg. No.: **DM/209024**

Int. Reg. Date: **Jan. 21, 2020**

Int. Reg. Pub. Date: **Jul. 10, 2020**

(51) **LOC (13) Cl.** ..... **23-01**

(52) **U.S. Cl.**  
USPC ..... **D23/223**

(58) **Field of Classification Search**  
USPC ..... D23/213, 223, 224, 226, 228  
CPC .. B05B 1/00; B05B 1/02; B05B 1/005; B05B  
1/14; B05B 1/18; B05B 1/185  
See application file for complete search history.

(56) **References Cited**

**U.S. PATENT DOCUMENTS**

D349,557 S *	8/1994	Huen	.....	D23/223
D408,888 S *	4/1999	Huen	.....	D23/223
D409,718 S *	5/1999	Farley	.....	D23/223
D445,871 S *	7/2001	Fan	.....	D23/223
D451,169 S *	11/2001	Lindholm	.....	D23/223
D451,980 S *	12/2001	Lindholm	.....	D23/223
D457,937 S *	5/2002	Lindholm	.....	D23/223

D467,636 S *	12/2002	Boesch	.....	D23/223
D470,568 S *	2/2003	Wu	.....	D23/223
D626,195 S *	10/2010	De Quesada	.....	D23/223
D652,892 S *	1/2012	Obara	.....	D23/213
D659,796 S *	5/2012	Farley	.....	D23/223
D659,797 S *	5/2012	Farley	.....	D23/223
D744,065 S *	11/2015	Peterson	.....	D23/223
D777,881 S *	1/2017	Chen	.....	D23/229
D852,323 S *	6/2019	McCutcheon	.....	D23/223
D855,760 S *	8/2019	Lee	.....	D23/223

\* cited by examiner

*Primary Examiner* — Natasha Vujcic

(57) **CLAIM**

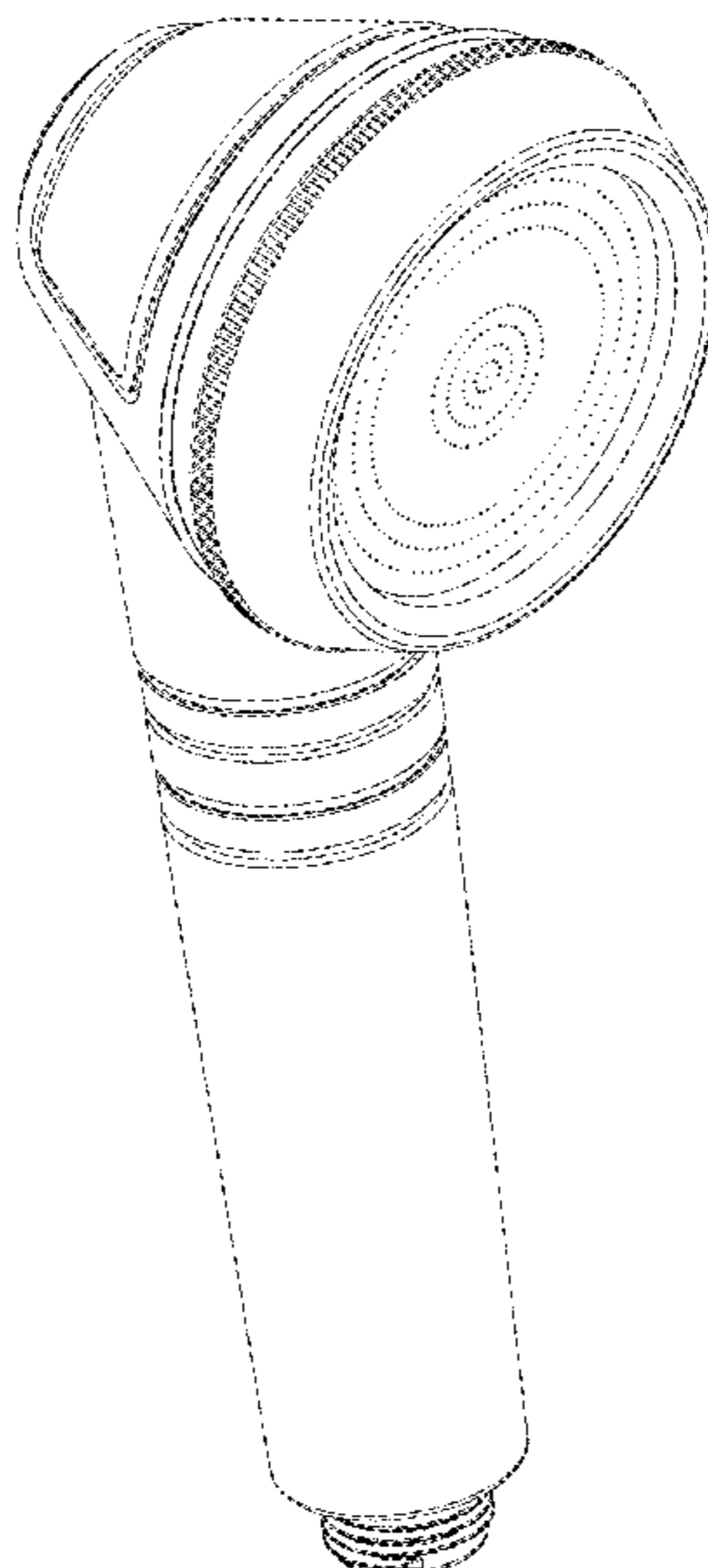
The ornamental design for a shower head, as shown and described.

**DESCRIPTION**

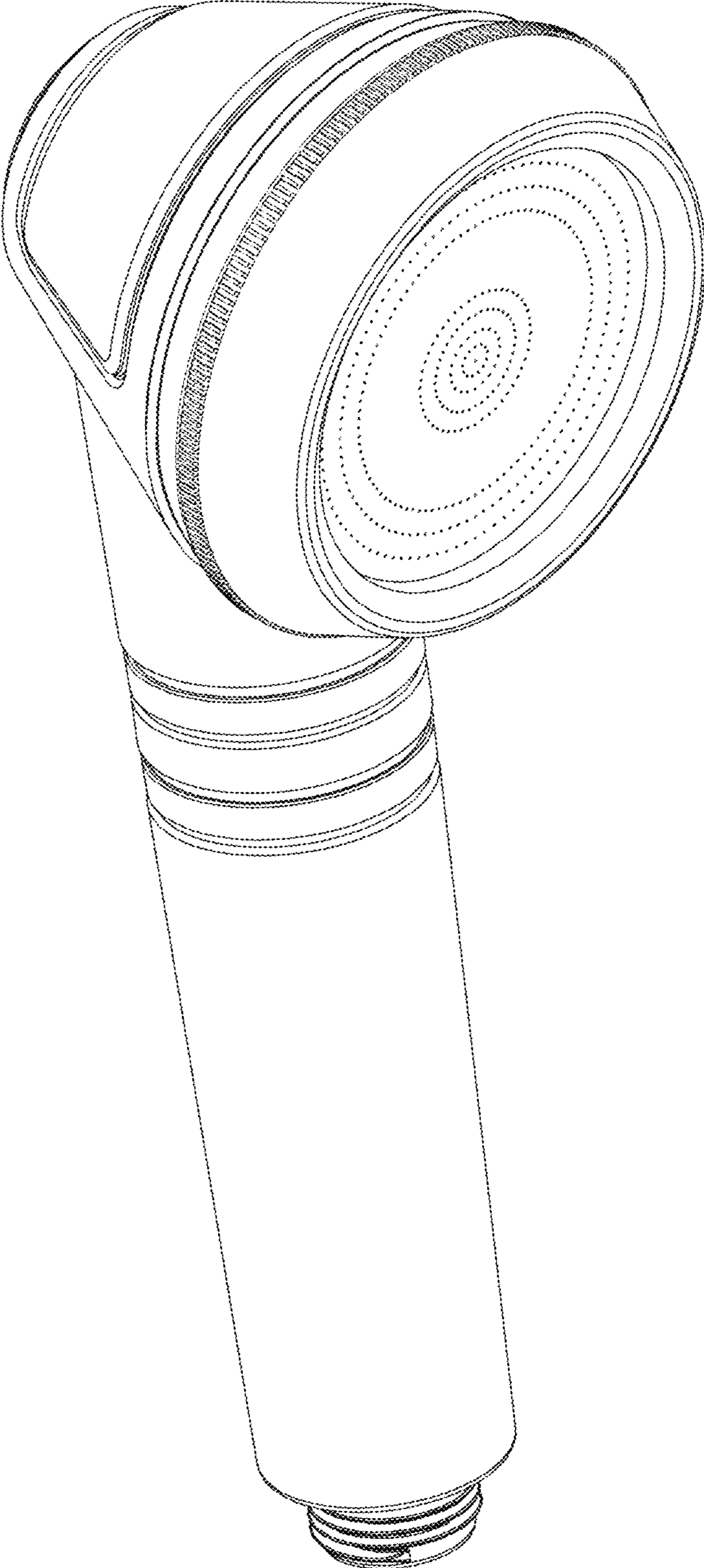
- 1. Shower head
- 1.1 : Perspective
- 1.2 : Front
- 1.3 : Back
- 1.4 : Top
- 1.5 : Bottom
- 1.6 : Left
- 1.7 : Right
- 1.8 : Rear perspective

Materials include metal and synthetic resin; ornamental design for a showerhead for use with a hose; fig. 1.1 is a front perspective view of a showerhead; fig. 1.2 is a front elevational view of the showerhead shown in fig. 1.1; fig. 1.3 is a rear elevational view of the showerhead shown in fig. 1.1; fig. 1.4 is a left side view of the showerhead shown in fig. 1.1; fig. 1.5 is a right side view of the showerhead shown in fig. 1.1; fig. 1.6 is a top view of the showerhead shown in fig. 1.1; fig. 1.7 is a bottom view of the showerhead shown in fig. 1.1; fig. 1.8 is a rear perspective view of the showerhead.

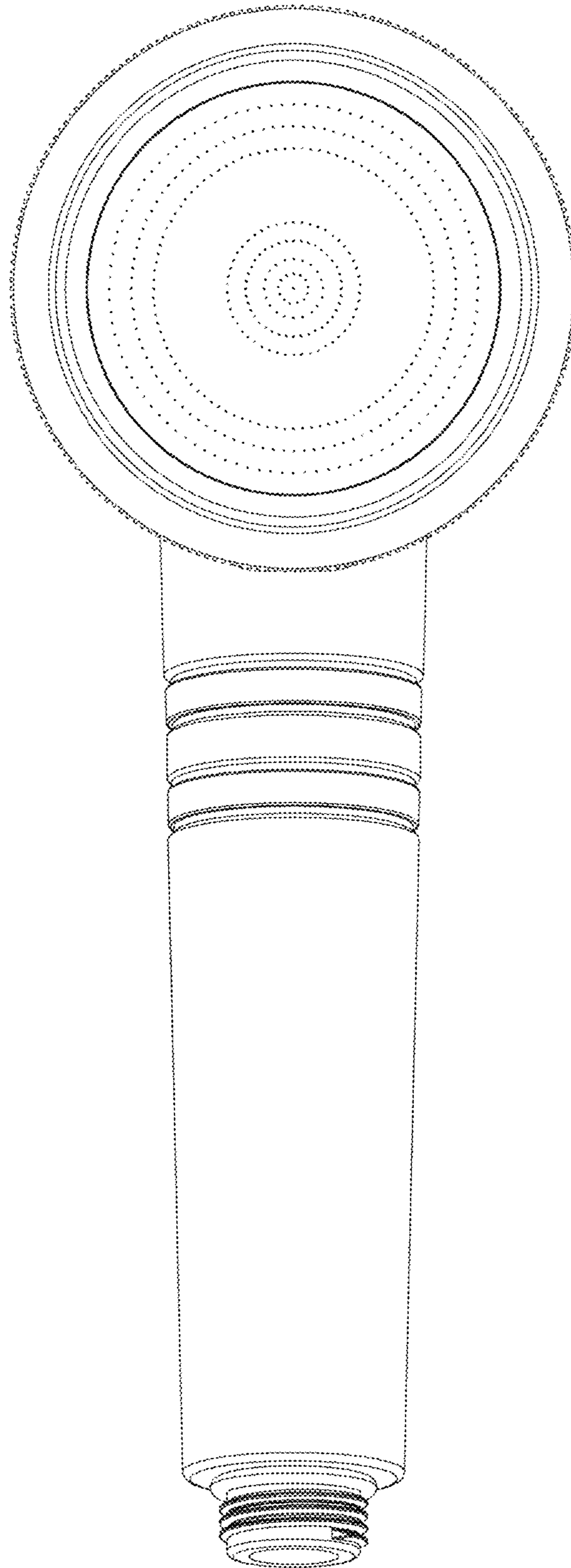
**1 Claim, 8 Drawing Sheets**



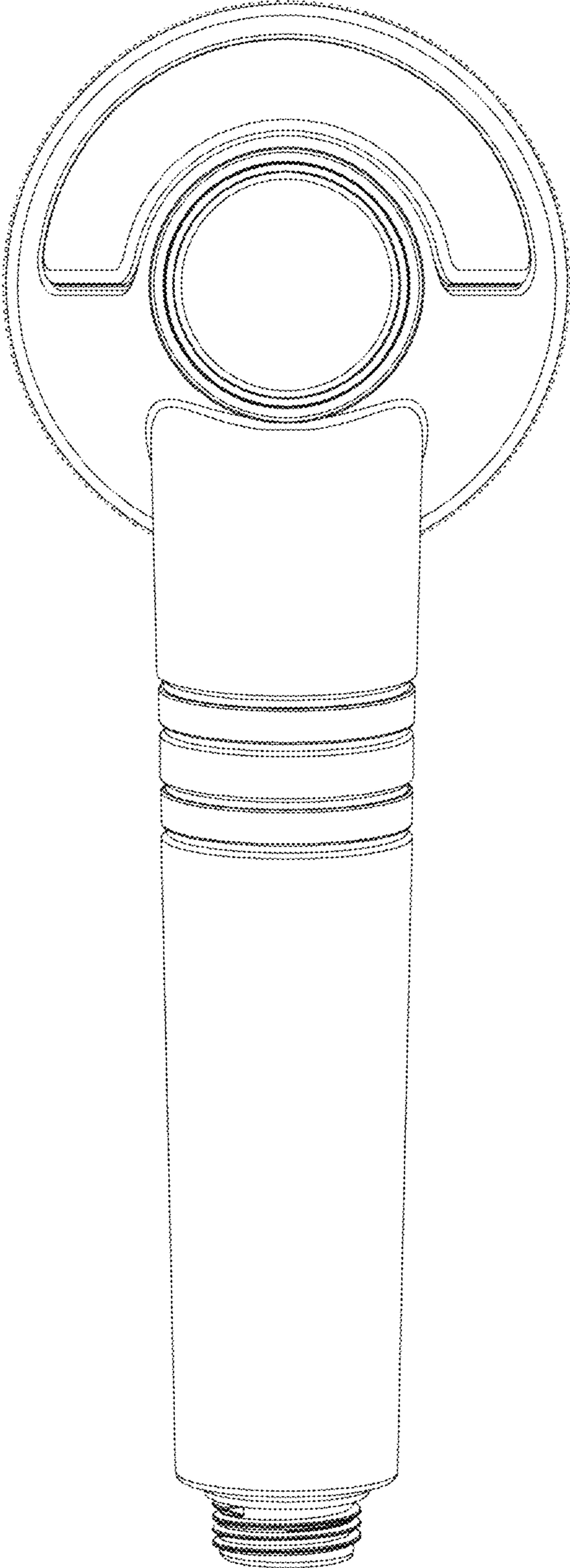
1.1



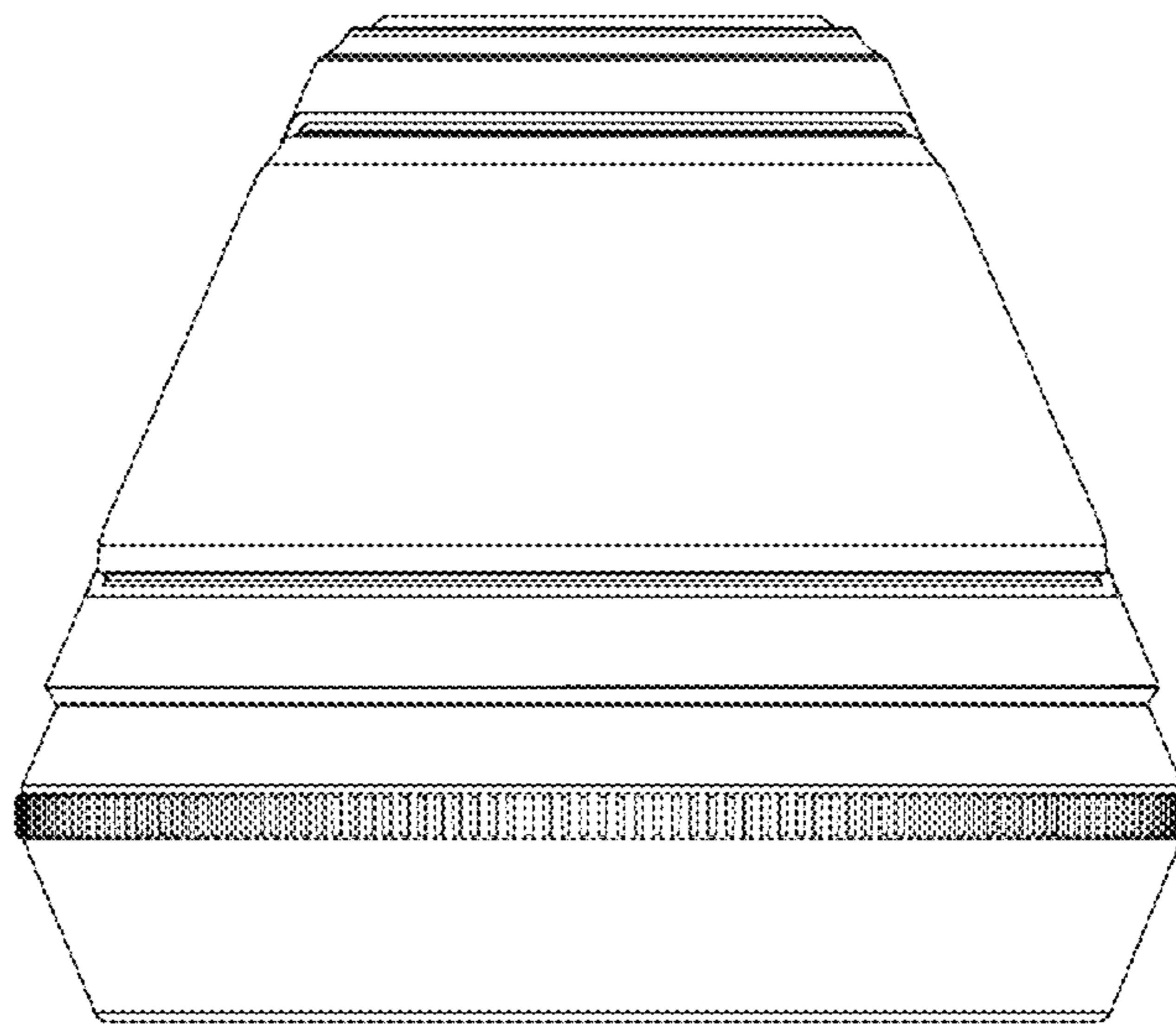
1.2



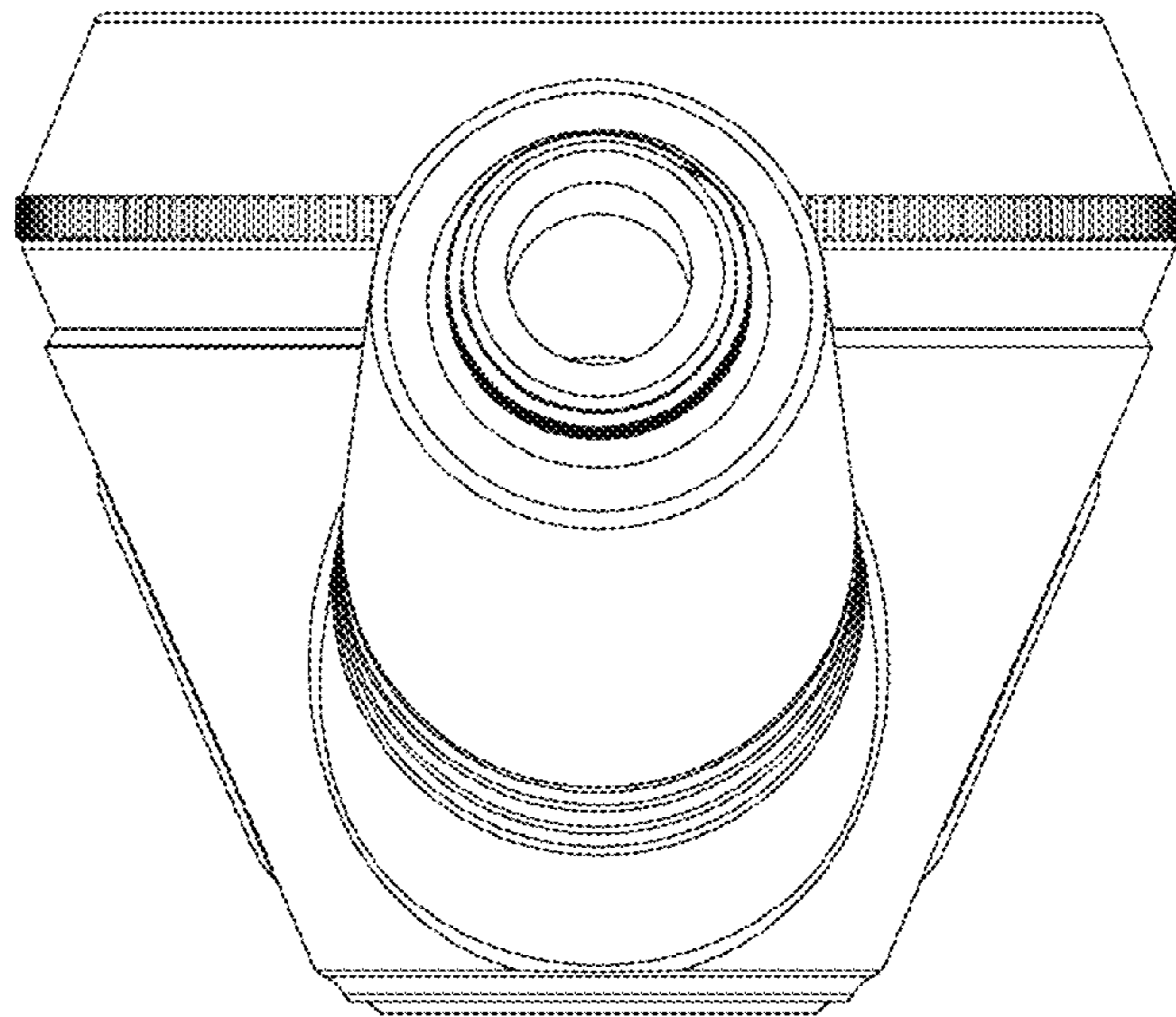
1.3



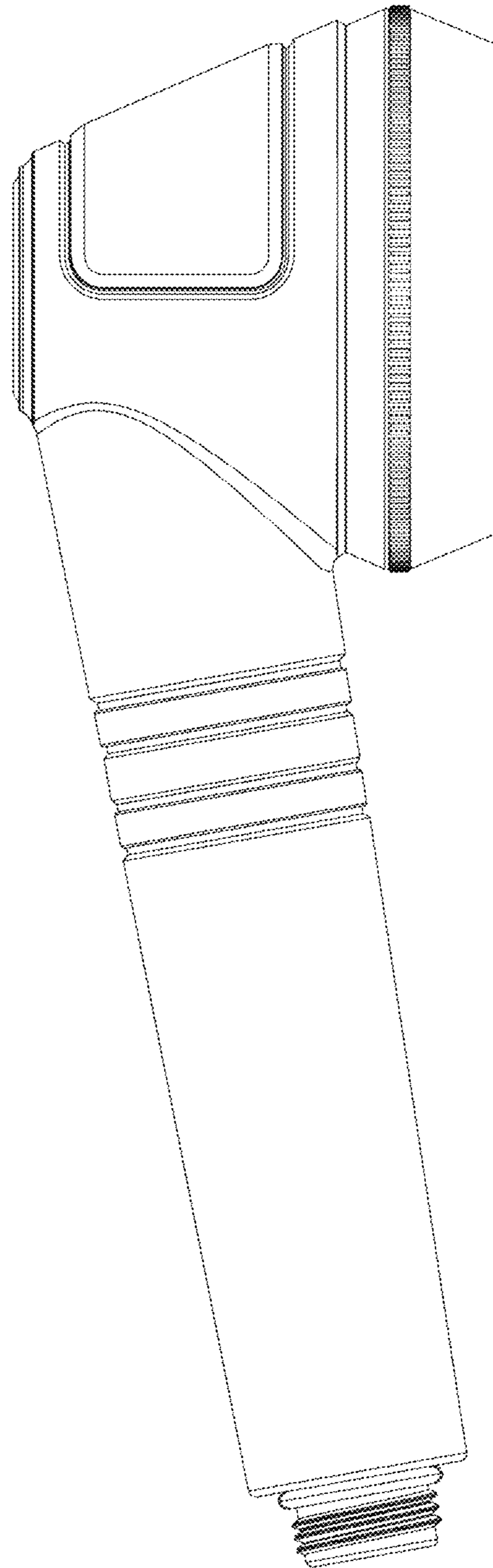
1.4



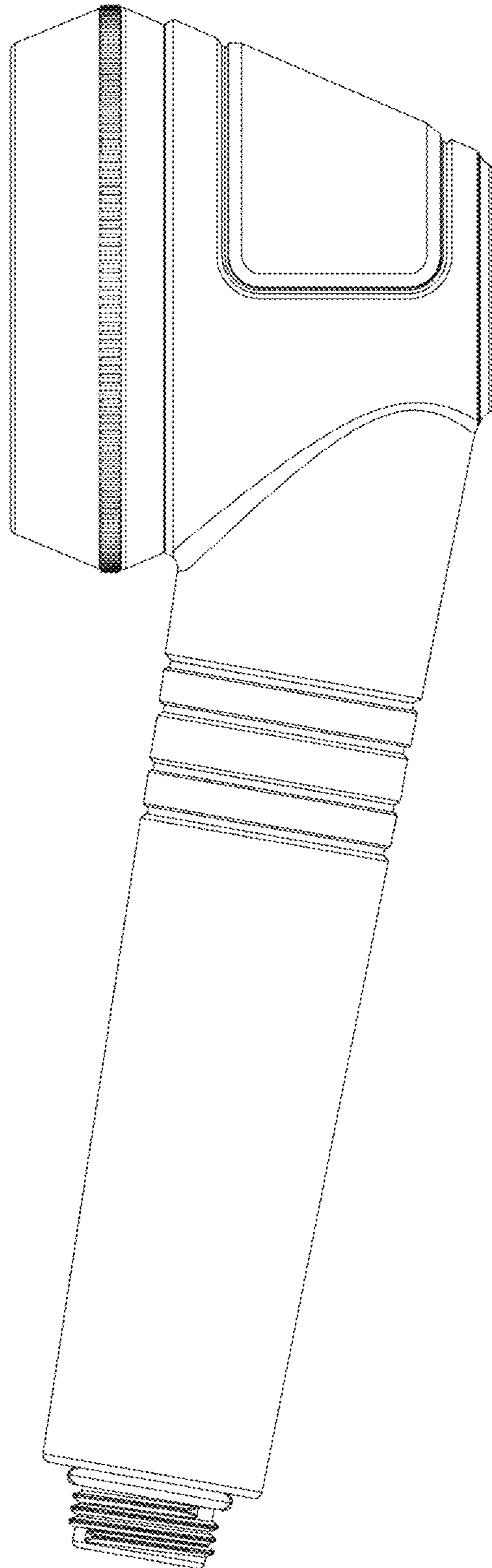
1.5



1.6



1.7





1.8

