



US00D972081S

(12) **United States Design Patent**
Oesterle et al.

(10) **Patent No.:** **US D972,081 S**

(45) **Date of Patent:** **** Dec. 6, 2022**

(54) **HAND SHOWER**

(71) Applicant: **HANSGROHE SE**, Schiltach (DE)

(72) Inventors: **Matthias Oesterle**, Winterbach (DE);
Marco Flaig, Stuttgart (DE)

(73) Assignee: **Hansgrohe SE**, Schiltach (DE)

(**) Term: **15 Years**

(21) Appl. No.: **29/779,652**

(22) Filed: **Apr. 20, 2021**

(30) **Foreign Application Priority Data**

Oct. 22, 2020 (EM) 008211742-0003

(51) **LOC (13) Cl.** **23-01**

(52) **U.S. Cl.**
USPC **D23/223**

(58) **Field of Classification Search**
USPC D23/213, 214, 215, 223, 224, 226, 229,
D23/230

CPC A61H 9/0021; A61H 33/00; B05B 1/00;
B05B 1/14; B05B 1/185; B05B 1/08;
B05B 1/02; B05B 1/26; B05B 12/002;
B05B 1/18; B05B 9/01

See application file for complete search history.

(56) **References Cited**

U.S. PATENT DOCUMENTS

D513,525 S * 1/2006 Haug D23/223
D519,187 S * 4/2006 Tse D23/223
D559,952 S * 1/2008 Bickler D23/213
D564,621 S * 3/2008 Lammel D23/223
D565,703 S * 4/2008 Lammel D23/223
D566,231 S * 4/2008 Lammel D23/223
D567,904 S * 4/2008 Schonherr D23/228
D694,856 S * 12/2013 Madsen D23/229
D841,125 S * 2/2019 Lai D23/223
D842,429 S * 3/2019 Huang D23/213

D842,430 S * 3/2019 Huang D23/213
D842,431 S * 3/2019 Cacka D23/213
D842,967 S * 3/2019 Farley D23/213
D901,627 S * 11/2020 Wu D23/223
D902,346 S * 11/2020 Cocks D23/213

(Continued)

FOREIGN PATENT DOCUMENTS

CN 302837338 6/2014
CN 304341453 11/2017

(Continued)

OTHER PUBLICATIONS

Hansgrohe Raindance S 12-inch Showerhead Premium Modern
1-Spray RainAir, Feb. 27, 2009, amazon.com , URL: <https://www.amazon.com/Hansgrohe-27493001-12-Inch-Raindance-Shower/dp/B001UM1XF8/>(Year: 2009).*

(Continued)

Primary Examiner — Keith J Wilson

(74) *Attorney, Agent, or Firm* — Lora J. Graentzdoerffer

(57) **CLAIM**

The ornamental design for a hand shower, as shown and described.

DESCRIPTION

FIG. 1 is a perspective view of a hand shower showing our design;

FIG. 2 is a front elevational view;

FIG. 3 is a rear elevational view;

FIG. 4 is a side elevational view;

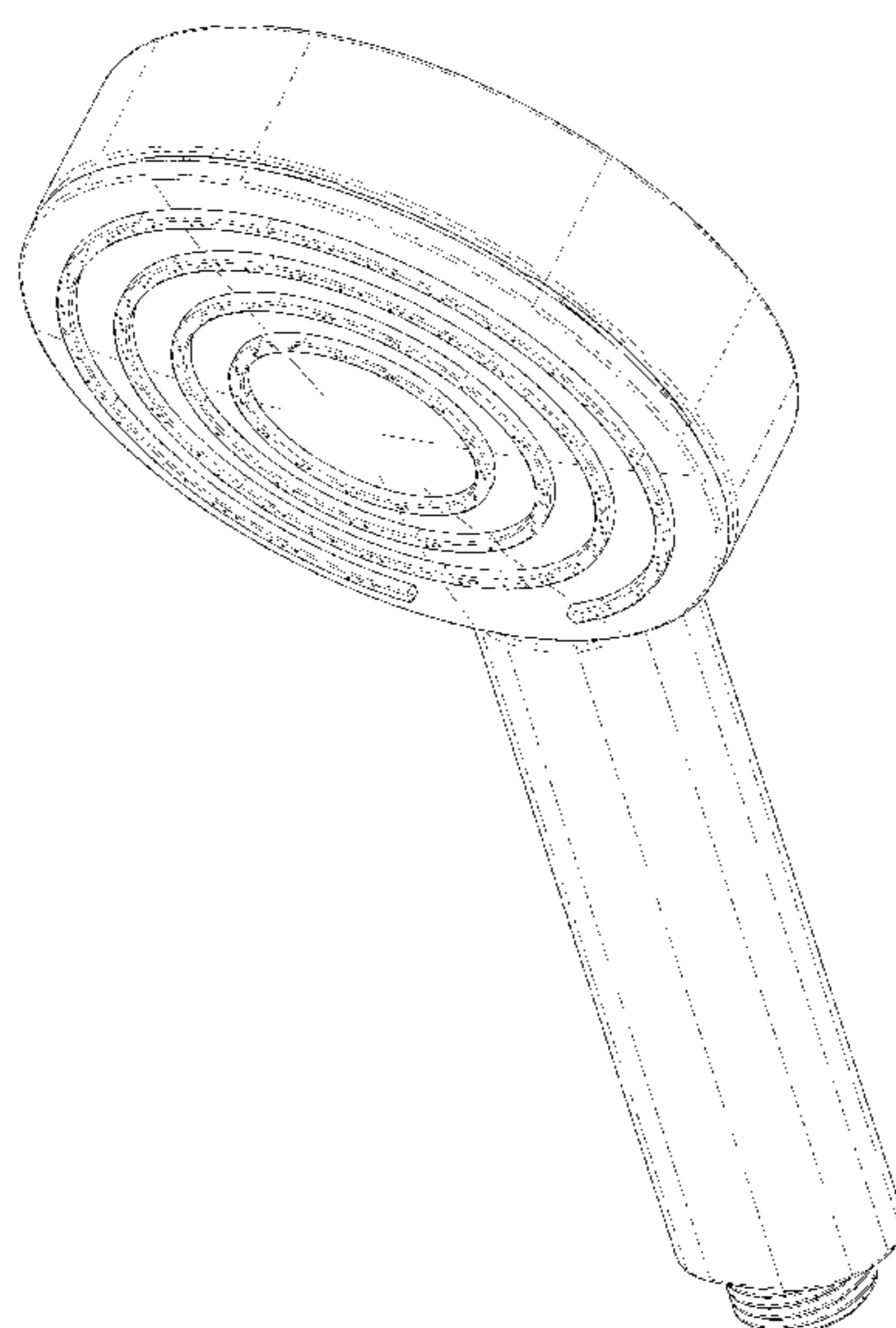
FIG. 5 is a side elevational view;

FIG. 6 is a top plan view; and,

FIG. 7 is a bottom plan view.

The broken-line disclosures in the drawings represent portions of a hand shower that form no part of the claimed design.

1 Claim, 7 Drawing Sheets



(56)

References Cited

U.S. PATENT DOCUMENTS

D926,924 S * 8/2021 Cocks D23/213
D927,642 S * 8/2021 Wu D23/222
D927,643 S * 8/2021 Wu D23/222
D954,900 S * 6/2022 Cocks D23/228
2020/0406275 A1* 12/2020 Tu E03C 1/046

FOREIGN PATENT DOCUMENTS

CN 304969001 12/2018
CN 304999370 1/2019
EA 000617345-0010 11/2006
EA 000683644-0002 3/2007
EA 004932507-0001 5/2018
WO D074120-003 1/2011

OTHER PUBLICATIONS

Hansgrohe Pulsify 4-inch Showerhead Modern 1-Spray Powder-Rain, Feb. 2, 2022, amazon.com, Jul. 7, 2022, URL: <https://www.amazon.com/hansgrohe-Showerhead-PowderRain-QuickClean-24132001/dp/B09RQ71BPT/> (Year: 2022).*

LED Shower Head, Apr. 30, 2017, amazon.ca, Jul. 8, 2022, URL: <https://www.amazon.ca/PISSION-Changing-Showerhead-Handheld-Automatically/dp/B06Y44GTX1/> (Year: 2017).*

* cited by examiner

FIG. 1

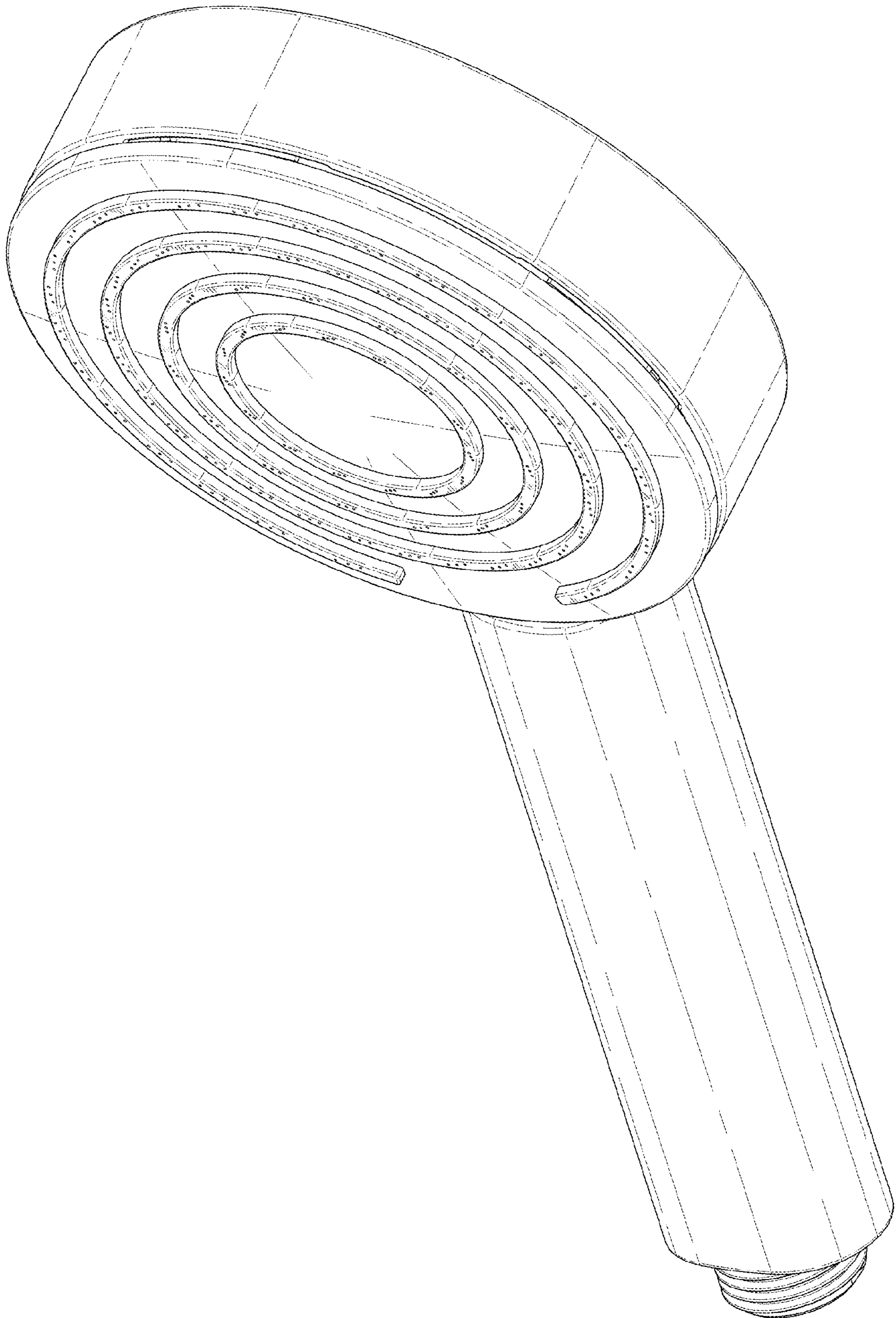


FIG. 2

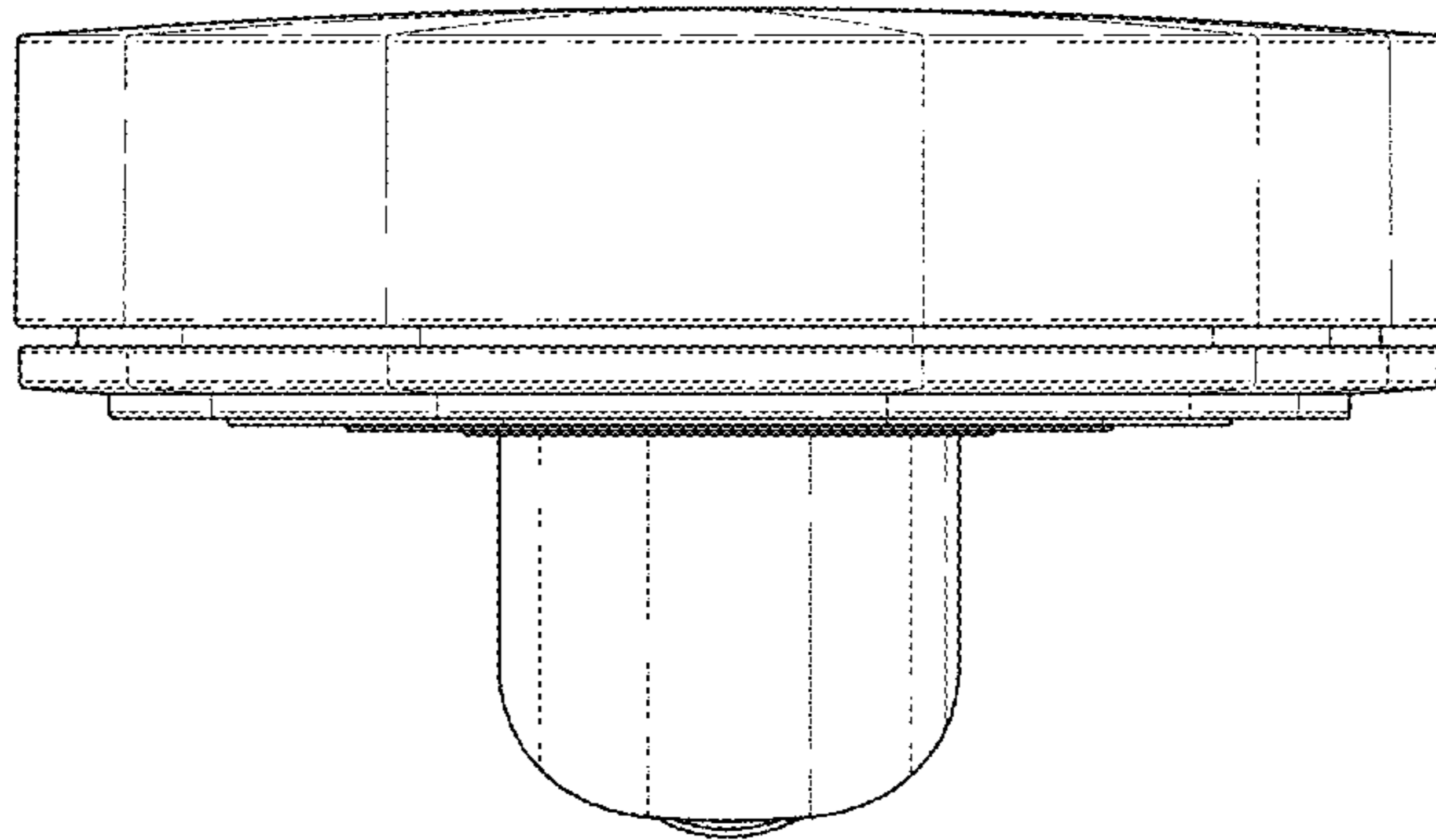


FIG. 3

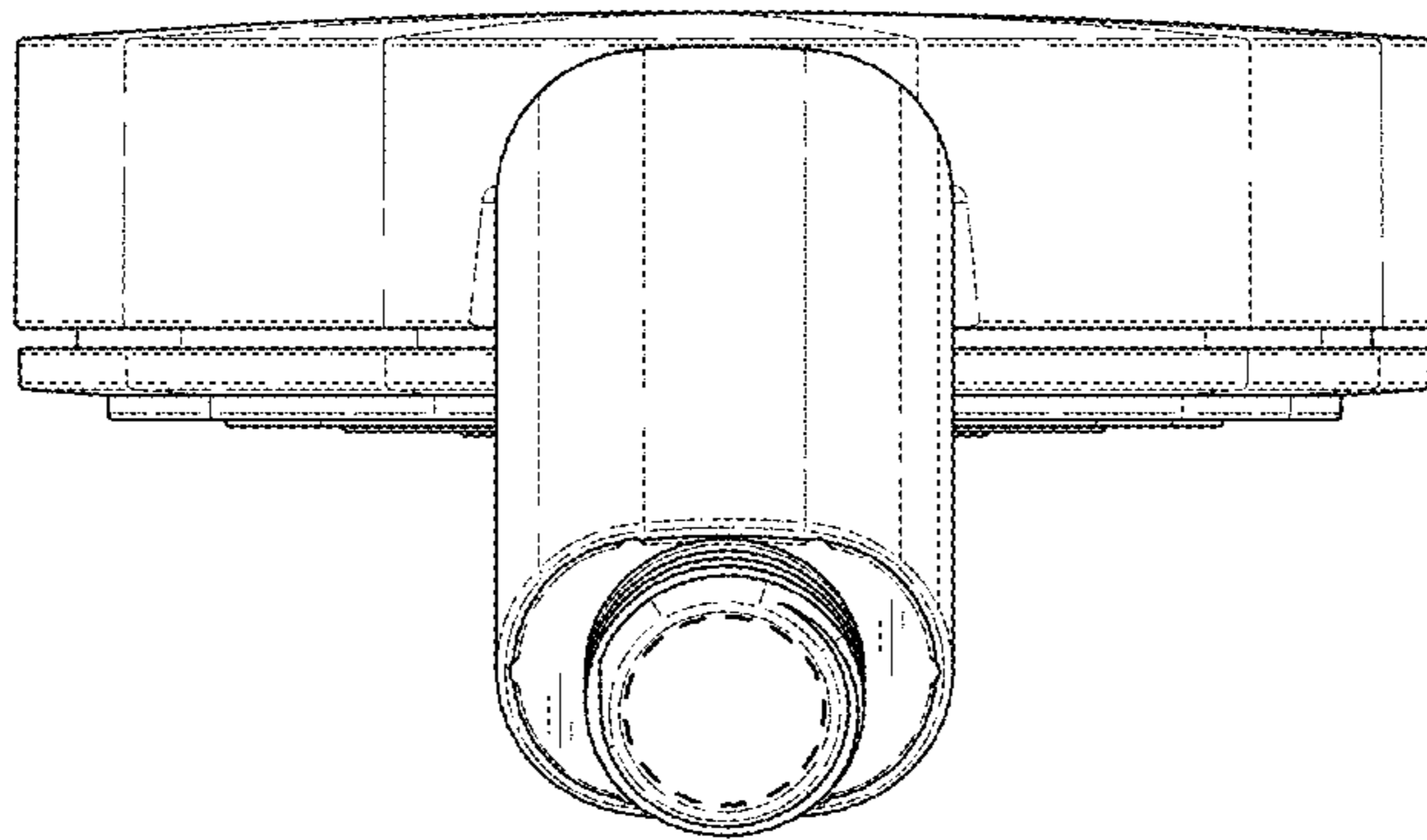


FIG. 4

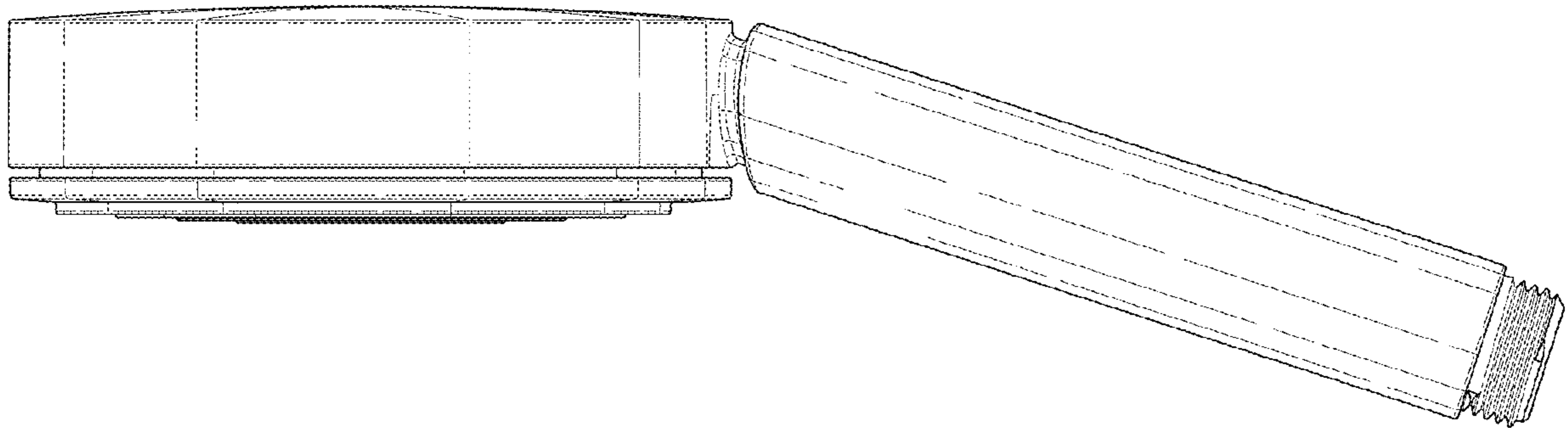


FIG. 5

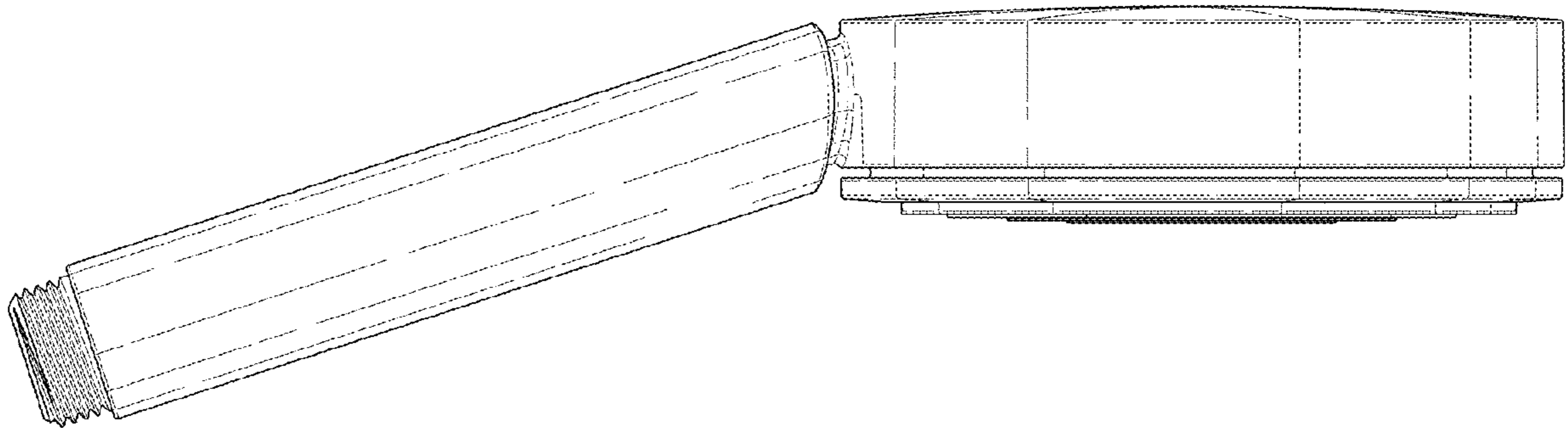


FIG. 6

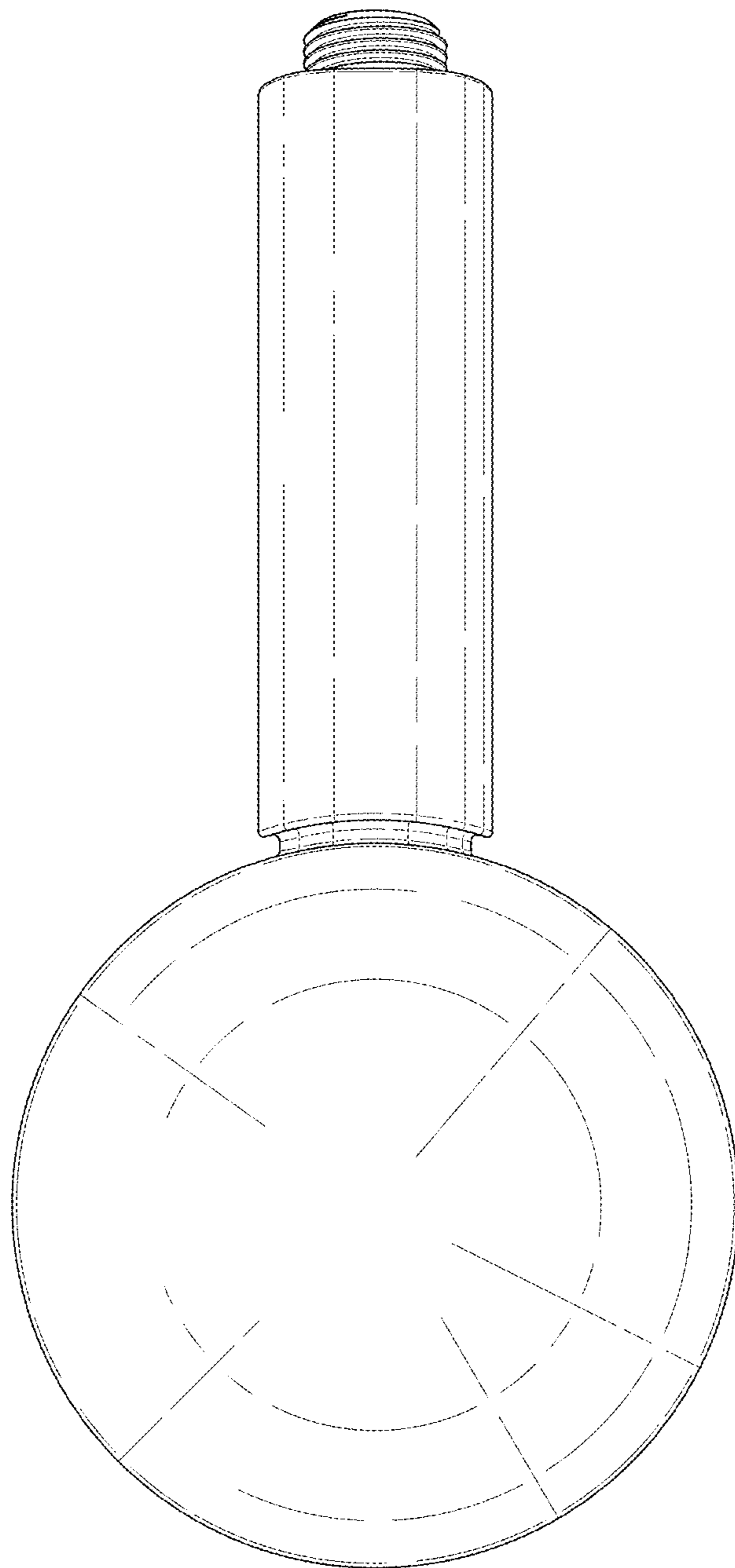


FIG. 7

