



US00D972080S

(12) **United States Design Patent** (10) **Patent No.:** **US D972,080 S**
Oesterle et al. (45) **Date of Patent:** **** Dec. 6, 2022**

(54) **SHOWER**
(71) Applicant: **HANSGROHE SE**, Schiltach (DE)
(72) Inventors: **Matthias Oesterle**, Winterbach (DE);
Marco Flaig, Stuttgart (DE)

D694,359 S * 11/2013 Schoenherr D23/213
D694,856 S * 12/2013 Madsen D23/229
D707,330 S * 6/2014 Schoenherr D23/223
D713,004 S * 9/2014 Schoenherr D23/223
D713,496 S * 9/2014 Schoenherr D23/213
D718,418 S * 11/2014 Georgeson D23/213

(Continued)

(73) Assignee: **Hansgrohe SE**, Schiltach (DE)

FOREIGN PATENT DOCUMENTS

(**) Term: **15 Years**

EA 000972237-0001 8/2008
EA 002423319-0011 3/2014

(21) Appl. No.: **29/779,645**

(Continued)

(22) Filed: **Apr. 20, 2021**

OTHER PUBLICATIONS

(51) **LOC (13) Cl.** **23-01**

(52) **U.S. Cl.**
USPC **D23/223**

(58) **Field of Classification Search**
USPC D23/213, 214, 215, 223, 224, 226, 229,
D23/230
CPC A61H 9/0021; A61H 33/00; B05B 1/00;
B05B 1/14; B05B 1/185; B05B 1/08;
B05B 1/02; B05B 1/26; B05B 12/002;
B05B 1/18; B05B 9/01

Hansgrohe Raindance S 12-inch Showerhead Premium Modern
1-Spray RainAir, Feb. 27, 2009, amazon.com , URL: <https://www.amazon.com/Hansgrohe-27493001-12-Inch-Raindance-Shower/dp/B001UM1XF8/>(Year: 2009).*

(Continued)

See application file for complete search history.

Primary Examiner — Keith J Wilson

(74) *Attorney, Agent, or Firm* — Lora J. Graentzdoerffer

(56) **References Cited**

(57) **CLAIM**

The ornamental design for a shower, as shown and described.

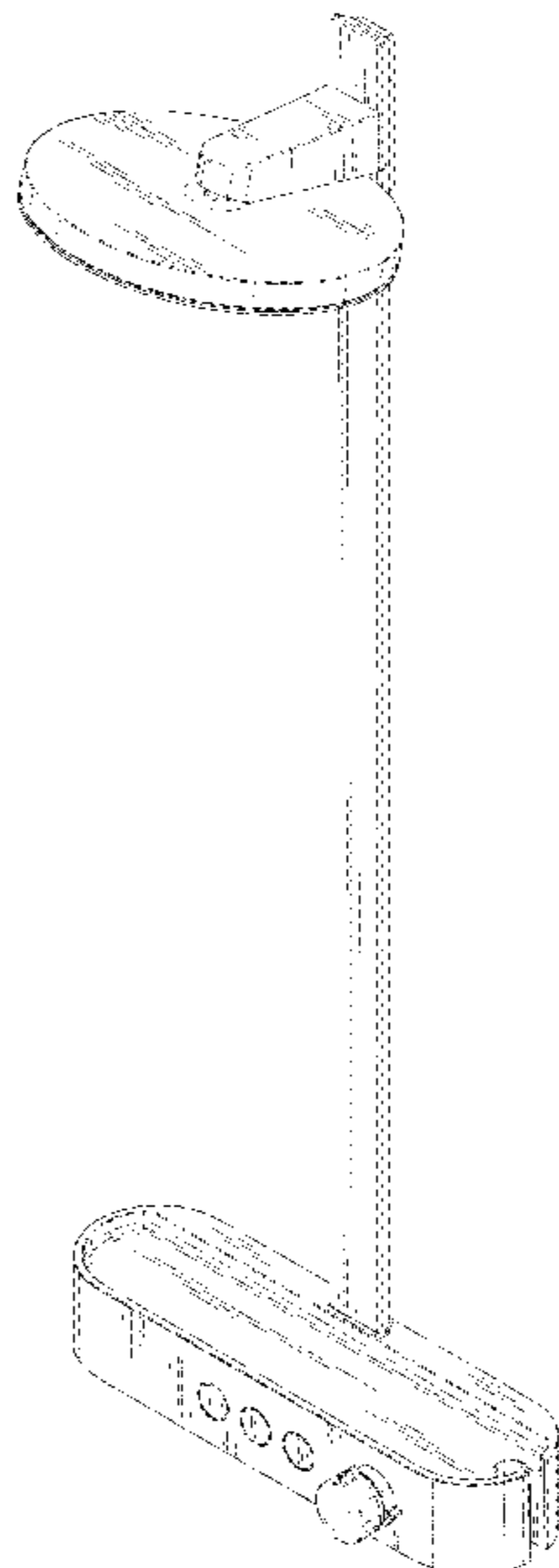
U.S. PATENT DOCUMENTS

DESCRIPTION

D487,498 S * 3/2004 Blomstrom D23/213
D496,987 S * 10/2004 Glunk D23/213
D508,730 S * 8/2005 Blomstrom D23/229
D513,525 S * 1/2006 Haug D23/223
D524,412 S * 7/2006 Blomstrom D23/229
D540,427 S * 4/2007 Bouroullec D23/213
D559,952 S * 1/2008 Bickler D23/213
D565,703 S * 4/2008 Lammel D23/223
D566,231 S * 4/2008 Lammel D23/223
D567,904 S * 4/2008 Schonherr D23/228
D680,619 S * 4/2013 Zhadanov D23/223
D681,776 S * 5/2013 Cutler D23/223
D694,357 S * 11/2013 Brodey D23/213

FIG. 1 is a perspective view of a shower showing our design;
FIG. 2 is a front elevational view;
FIG. 3 is a rear elevational view;
FIG. 4 is a side elevational view;
FIG. 5 is a side elevational view;
FIG. 6 is a top plan view; and,
FIG. 7 is a bottom plan view.
The broken-line disclosures in the drawings represent portions of a shower that form no part of the claimed design.

1 Claim, 7 Drawing Sheets



(56)

References Cited

U.S. PATENT DOCUMENTS

D730,493 S * 5/2015 Sehl D23/261
 D733,258 S * 6/2015 Sandee D23/223
 D736,347 S * 8/2015 Tan D23/213
 D737,931 S * 9/2015 Schoenherr D23/223
 D737,932 S * 9/2015 Nikles D23/223
 D743,507 S * 11/2015 Georgeson D23/252
 D746,955 S * 1/2016 Corder D23/261
 D751,174 S * 3/2016 Schoenherr D23/213
 D752,711 S * 3/2016 Georgeson D23/213
 D757,895 S * 5/2016 Schoenherr D23/213
 D758,532 S * 6/2016 Schoenherr D23/213
 9,387,495 B2 * 7/2016 Schumacher B05B 1/30
 D778,404 S * 2/2017 Schoenherr D23/223
 D779,038 S * 2/2017 Hanna D23/223
 D779,039 S * 2/2017 Hanna D23/223
 D791,277 S * 7/2017 Eads D23/213
 D801,475 S * 10/2017 Naslund D23/213
 D803,350 S * 11/2017 Tian D23/213
 D808,499 S * 1/2018 Naslund D23/213
 D809,094 S * 1/2018 Naslund D23/213
 D810,233 S * 2/2018 Winter D23/213
 D810,861 S * 2/2018 Weaver D23/213
 D811,524 S * 2/2018 Bossini D23/223
 D813,348 S * 3/2018 Bossini D23/213
 D820,388 S * 6/2018 Seum D23/213
 D820,949 S * 6/2018 Reinecker D23/213
 D821,542 S * 6/2018 Reinecker D23/213
 D824,485 S * 7/2018 Montoya D23/213
 D828,491 S * 9/2018 Schoenherr D23/213

D833,575 S * 11/2018 Soulier D23/223
 D839,384 S * 1/2019 Svendsen D23/213
 D840,503 S * 2/2019 Stein D23/213
 D841,121 S * 2/2019 Kiefer D23/213
 D841,125 S * 2/2019 Lai D23/223
 D842,429 S * 3/2019 Huang D23/213
 D842,430 S * 3/2019 Huang D23/213
 D842,431 S * 3/2019 Cacka D23/213
 D842,967 S * 3/2019 Farley D23/213
 D902,346 S * 11/2020 Cocks D23/213
 D926,924 S * 8/2021 Cocks D23/213
 D927,643 S * 8/2021 Wu D23/222
 D954,900 S * 6/2022 Cocks D23/228
 2020/0406275 A1 * 12/2020 Tu E03C 1/046

FOREIGN PATENT DOCUMENTS

EA 004375459-0004 3/2018
 EA 003792019-0014 12/2018
 EA 002546879-0030 2/2019
 EA 005843083-0025 2/2019
 GB 9005843083-0025 12/2018

OTHER PUBLICATIONS

Hansgrohe Pulsify 4-inch Showerhead Modern 1-Spray Powder-Rain, Feb. 2, 2022, amazon.com, Jul. 7, 2022, URL: <https://www.amazon.com/hansgrohe-Showerhead-PowderRain-QuickClean-24132001/dp/B09RQ71BPT/> (Year: 2022).*

* cited by examiner

FIG. 1

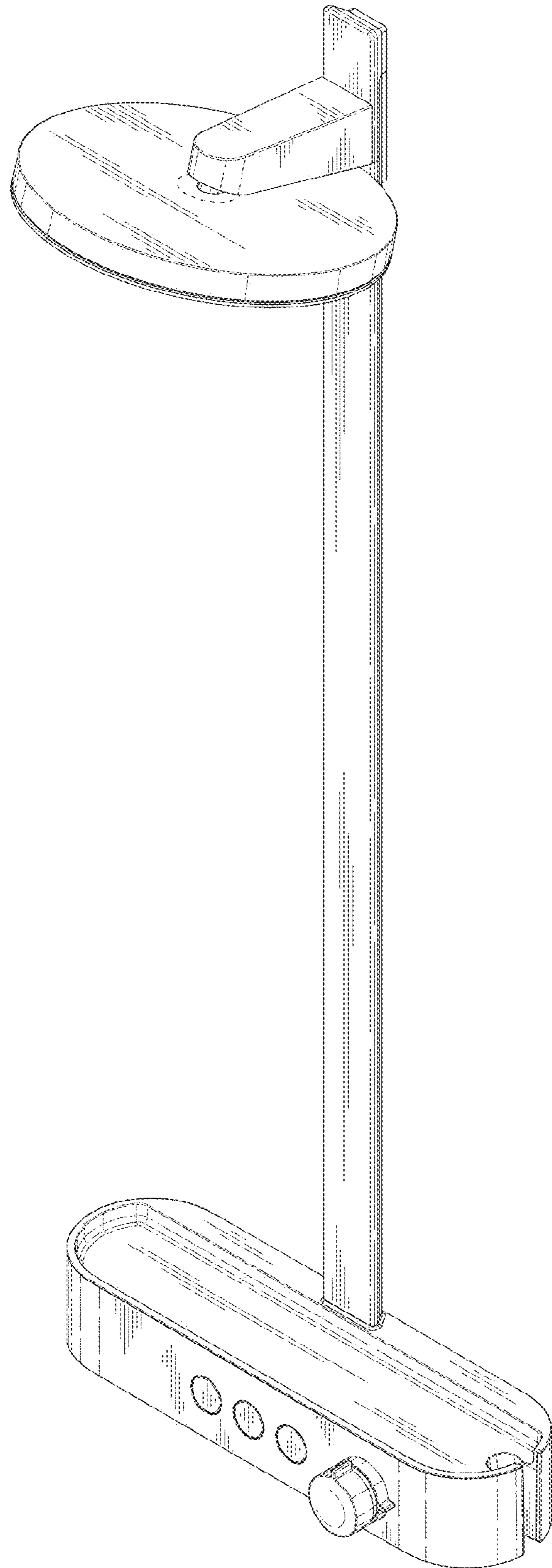


FIG. 2

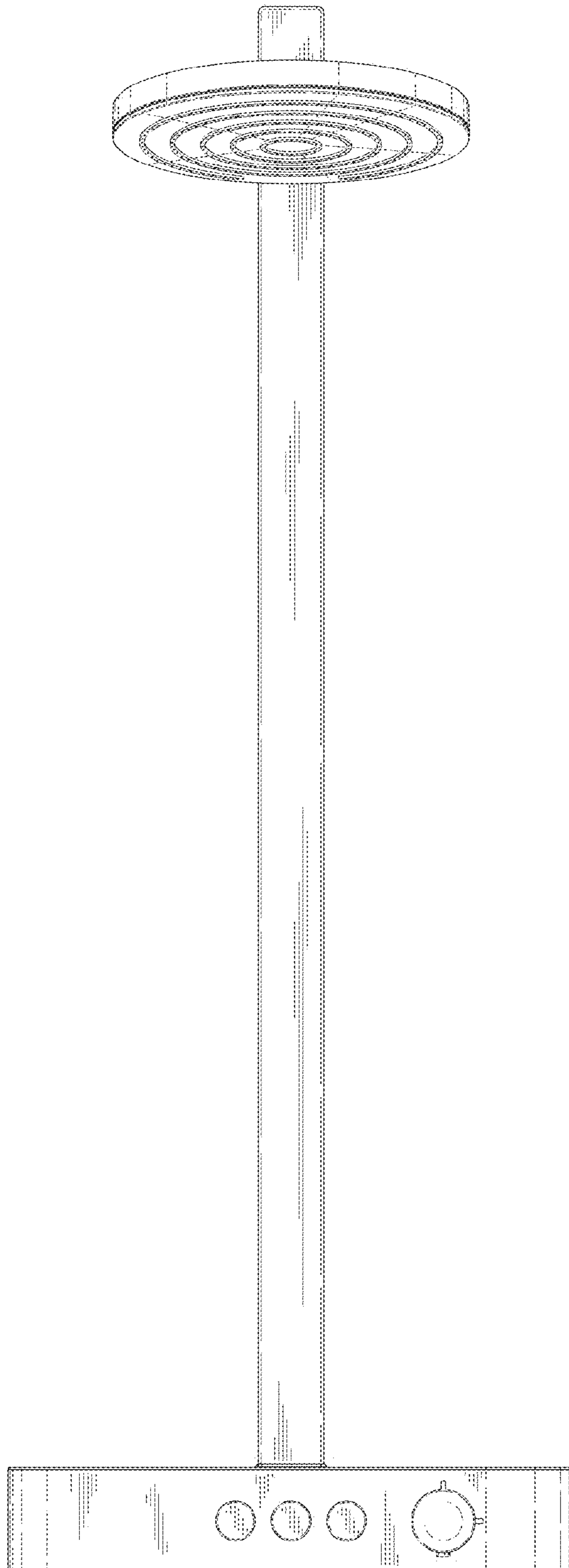


FIG. 3

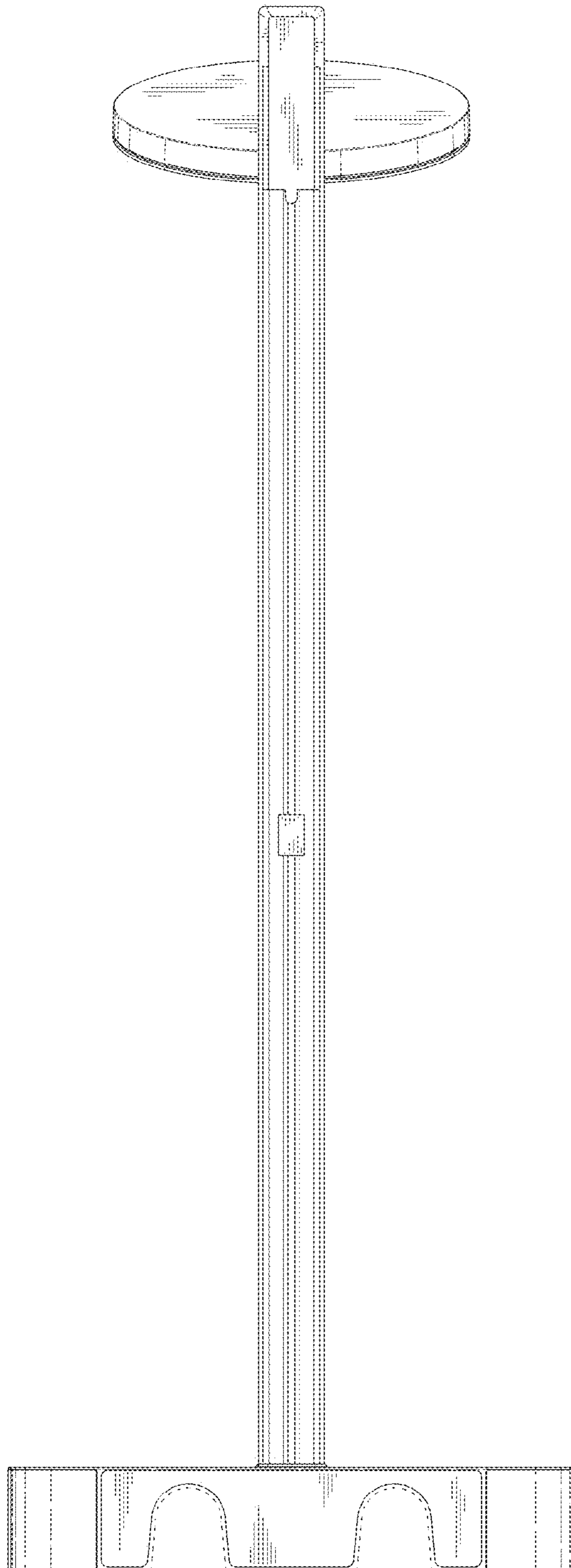


FIG. 4

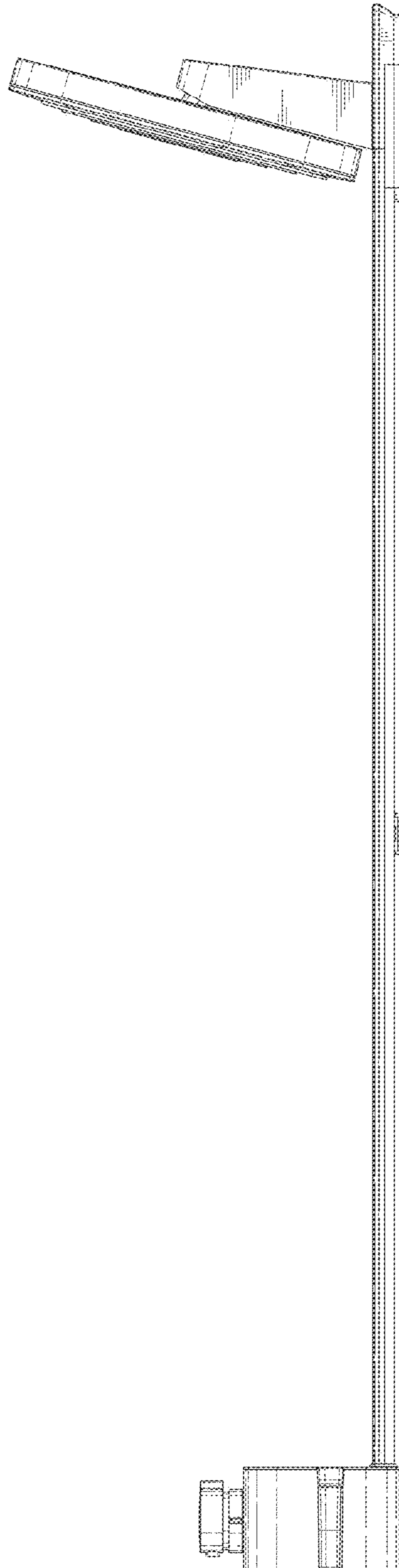


FIG. 5

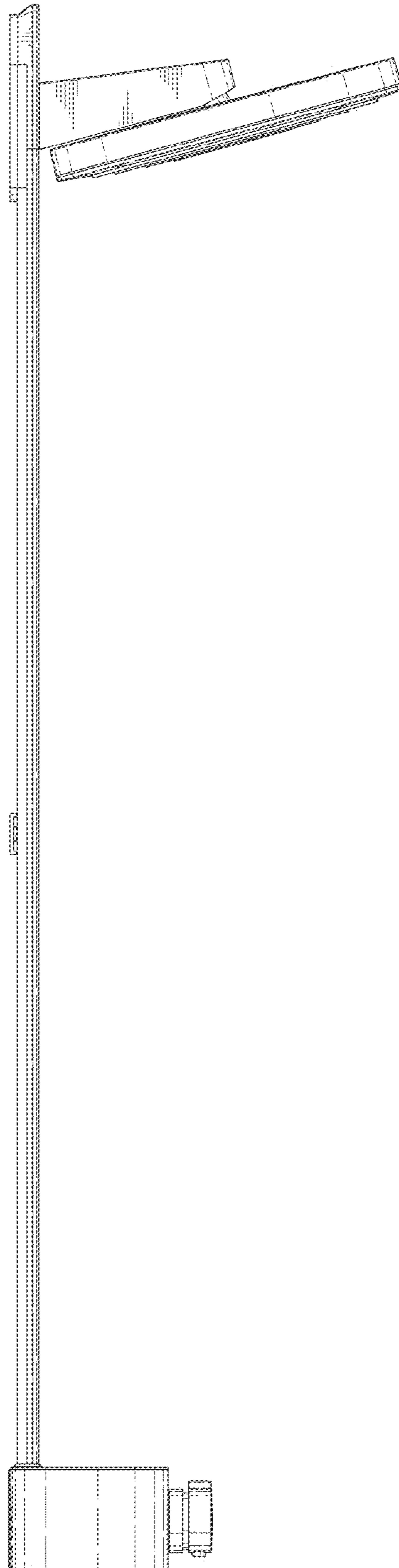


FIG. 6

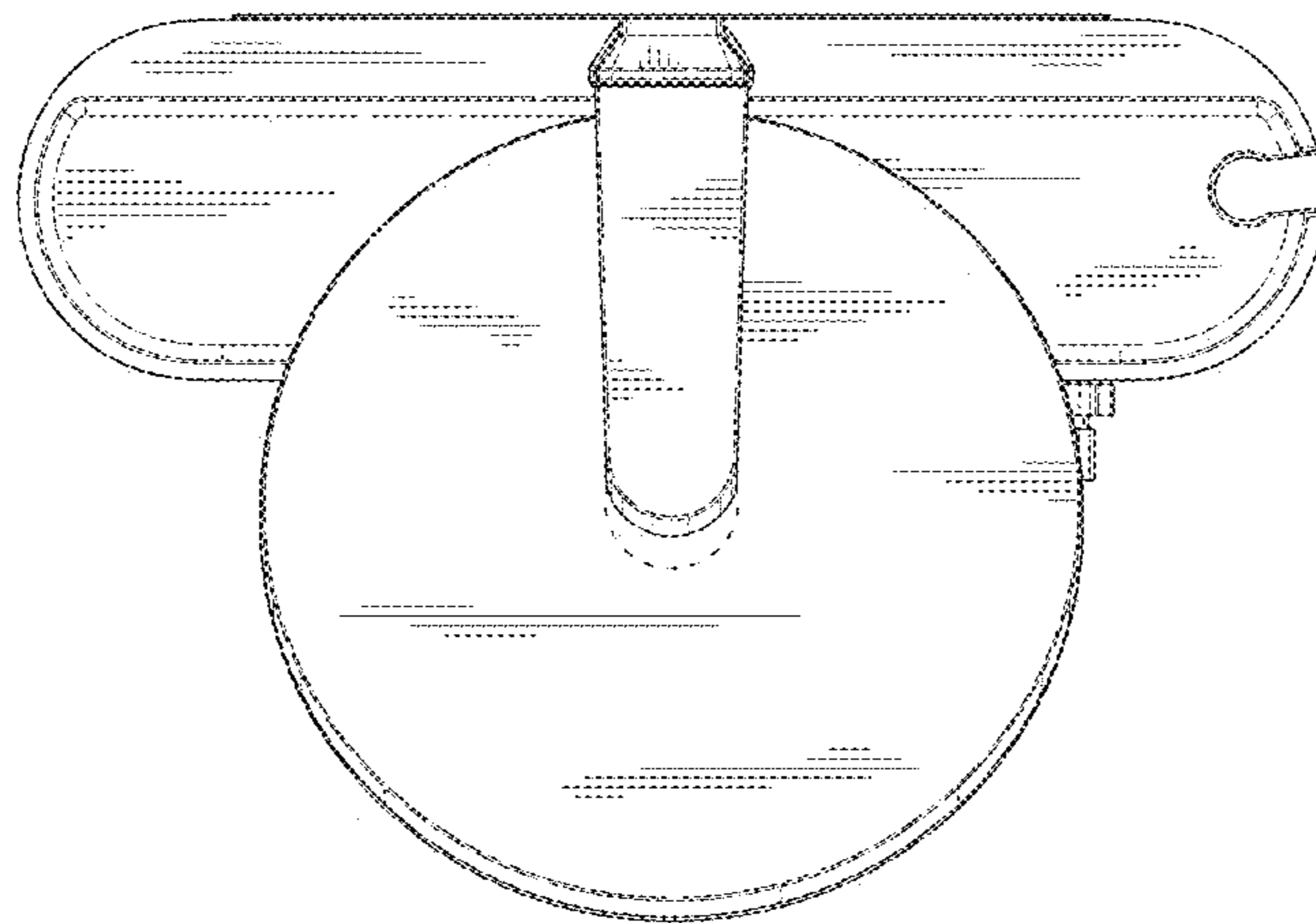


FIG. 7

