



US00D972079S

(12) **United States Design Patent** (10) **Patent No.:** **US D972,079 S**
Chiba et al. (45) **Date of Patent:** **** Dec. 6, 2022**

(54) **SPRINKLER HEAD**
(71) Applicant: **SENJU SPRINKLER CO., LTD.**,
Tokyo (JP)
(72) Inventors: **Masaharu Chiba**, Tokyo (JP); **Yutaka**
Tateishi, Tokyo (JP); **Kazuma Ito**,
Tokyo (JP)
(73) Assignee: **SENJU SPRINKLER CO., LTD.**,
Tokyo (JP)

D603,479 S 11/2009 Koiwa
D604,804 S 11/2009 VanEerden et al.
7,624,812 B2 * 12/2009 Pahila A62C 31/02
239/524
D616,961 S * 6/2010 Goetz D23/213
D658,267 S * 4/2012 Brockington D23/206
(Continued)

FOREIGN PATENT DOCUMENTS

JP 7-28574 U 5/1995
JP 07-231949 A 9/1995
(Continued)

(**) Term: **15 Years**

(21) Appl. No.: **29/734,366**

(22) Filed: **May 12, 2020**

(30) **Foreign Application Priority Data**

Jan. 7, 2020 (JP) 2020-000083 D

(51) **LOC (13) Cl.** **23-01**

(52) **U.S. Cl.**
USPC **D23/214**

(58) **Field of Classification Search**
USPC D23/200-202, 205-207, 209, 213-215,
D23/221, 226, 233, 249-250, 255-256,
D23/258, 268, 272-274, 280.2, 286, 295,
D23/300-301, 304, 313, 355, 364; D8/2;
D29/125-126
CPC A61H 33/0087; A63B 69/125; B05B
7/0425; E03C 1/084; E04H 4/169
See application file for complete search history.

(56) **References Cited**

U.S. PATENT DOCUMENTS

6,585,054 B1 * 7/2003 Thomas B05B 1/265
169/59
D501,535 S * 2/2005 Wang D23/221
D546,417 S * 7/2007 Franson D23/214
D567,329 S * 4/2008 Holmes D23/214
D598,068 S 8/2009 Koiwa

OTHER PUBLICATIONS

Office Action from Japanese Patent App. No. 2020-000083 dated
(Jun. 29, 2020).

(Continued)

Primary Examiner — Karen S Acker
Assistant Examiner — Jonathan E Fiencke
(74) *Attorney, Agent, or Firm* — Cermak Nakajima &
McGowan LLP; Tomoko Nakajima

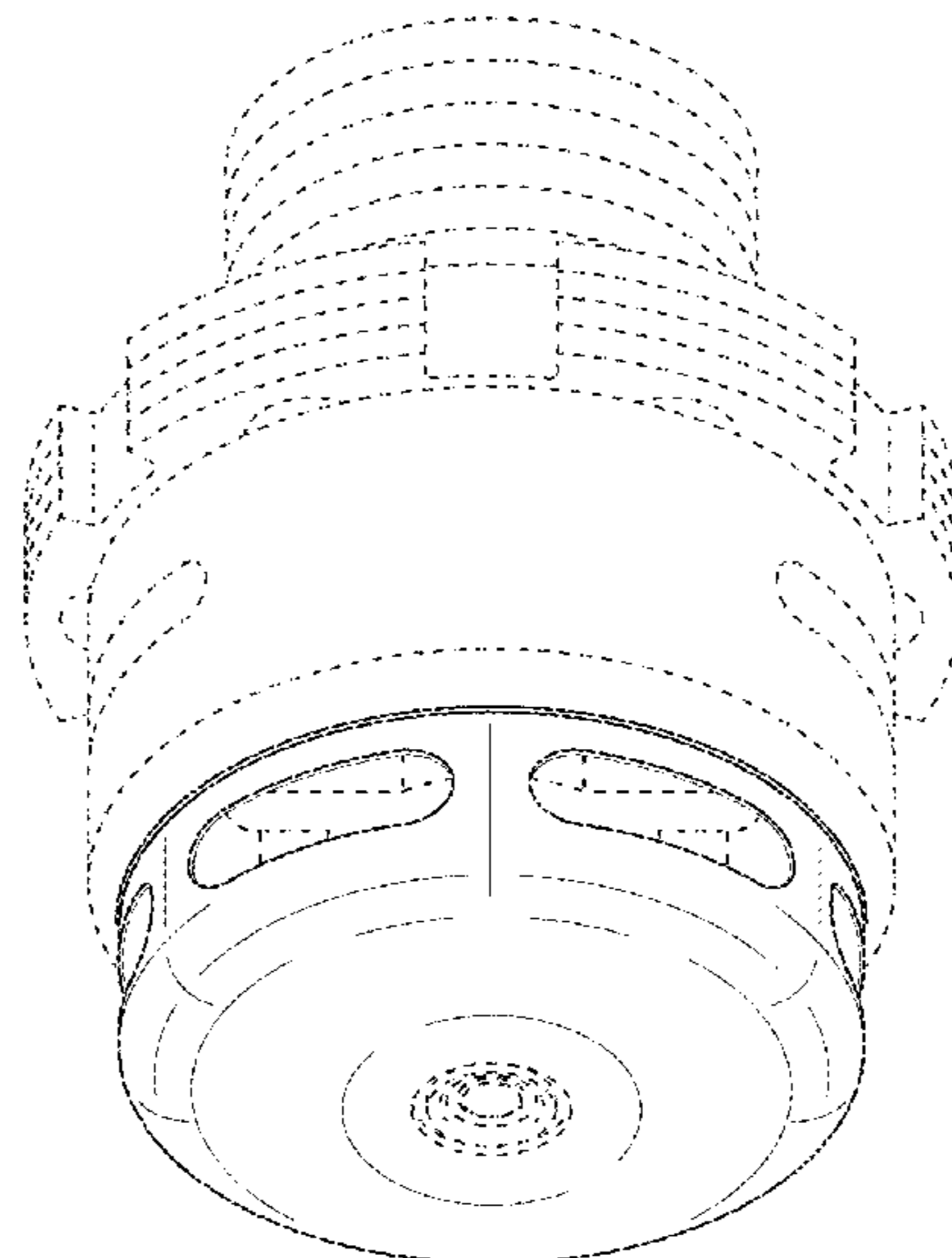
(57) **CLAIM**

The ornamental design for a sprinkler head, as shown and
described.

DESCRIPTION

FIG. 1 is a front elevational view of a sprinkler head
showing our new design;
FIG. 2 is a rear elevational thereof;
FIG. 3 is a right side elevational view thereof;
FIG. 4 is a left side elevational view thereof;
FIG. 5 is a top plan view thereof;
FIG. 6 is a bottom plan view thereof; and,
FIG. 7 is a bottom perspective view thereof.
The broken lines depict portions of the sprinkler head that
form no part of the claimed design.

1 Claim, 7 Drawing Sheets



(56)

References Cited

U.S. PATENT DOCUMENTS

D699,321 S 2/2014 Karihara et al.
 D716,911 S * 11/2014 Faraon Chaul Huerta .. D23/233
 D724,696 S 3/2015 Barmoav et al.
 D759,193 S * 6/2016 Gutierrez D23/200
 D825,715 S * 8/2018 Bancroft B05B 1/265
 D23/214
 D841,124 S * 2/2019 Haney D23/214
 D841,456 S * 2/2019 Barwick D8/399
 D844,105 S 3/2019 Lo
 D863,501 S * 10/2019 Briscoe D23/213
 D894,339 S * 8/2020 Ohkoshi D23/214
 D936,177 S * 11/2021 Boulay D23/206
 11,224,775 B2 * 1/2022 Silva, Jr. A62C 37/14
 D961,727 S * 8/2022 Koiwa D23/214
 2012/0261498 A1 10/2012 Kameishi et al.
 2012/0285707 A1 11/2012 Kameishi et al.

FOREIGN PATENT DOCUMENTS

JP 2005-027929 A 2/2005
 JP 2008-178722 A 8/2008
 JP 1421017 S 7/2011
 JP 1433320 S 2/2015
 TW D146161 S 9/2011
 WO WO2011/081147 A1 7/2011
 WO WO2011/093348 A1 8/2011

OTHER PUBLICATIONS

Publication Material No. HJ2901299500, Publication Date Jun. 19, 2017, http://www.nohmi.co.jp/product/gh/product/fire_extinguishing/splash_a/003.html, pp. 1-3.
 Office Action from Taiwan Patent App. No. 10921224420 dated (Dec. 16, 2020).

* cited by examiner

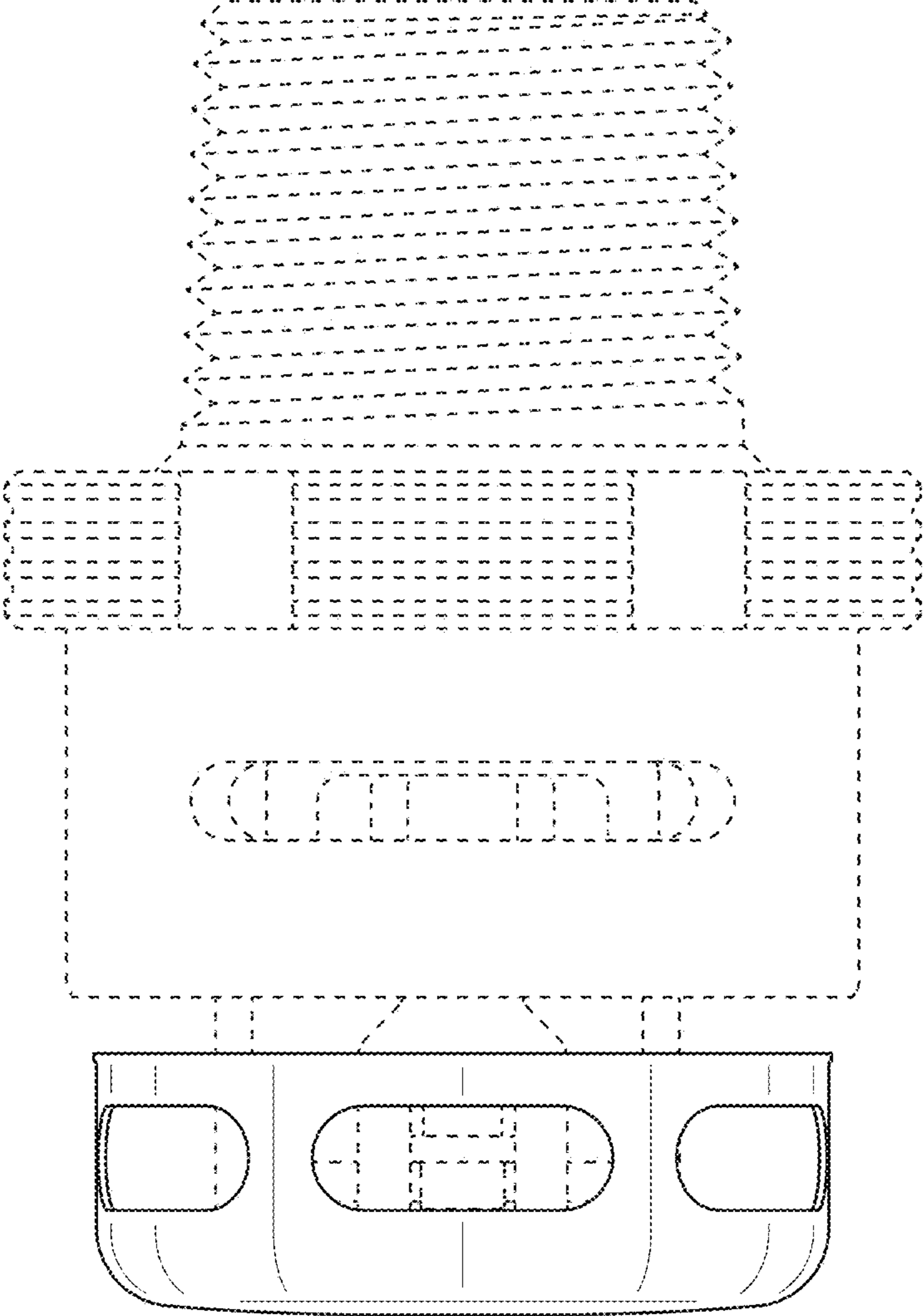


Fig. 1

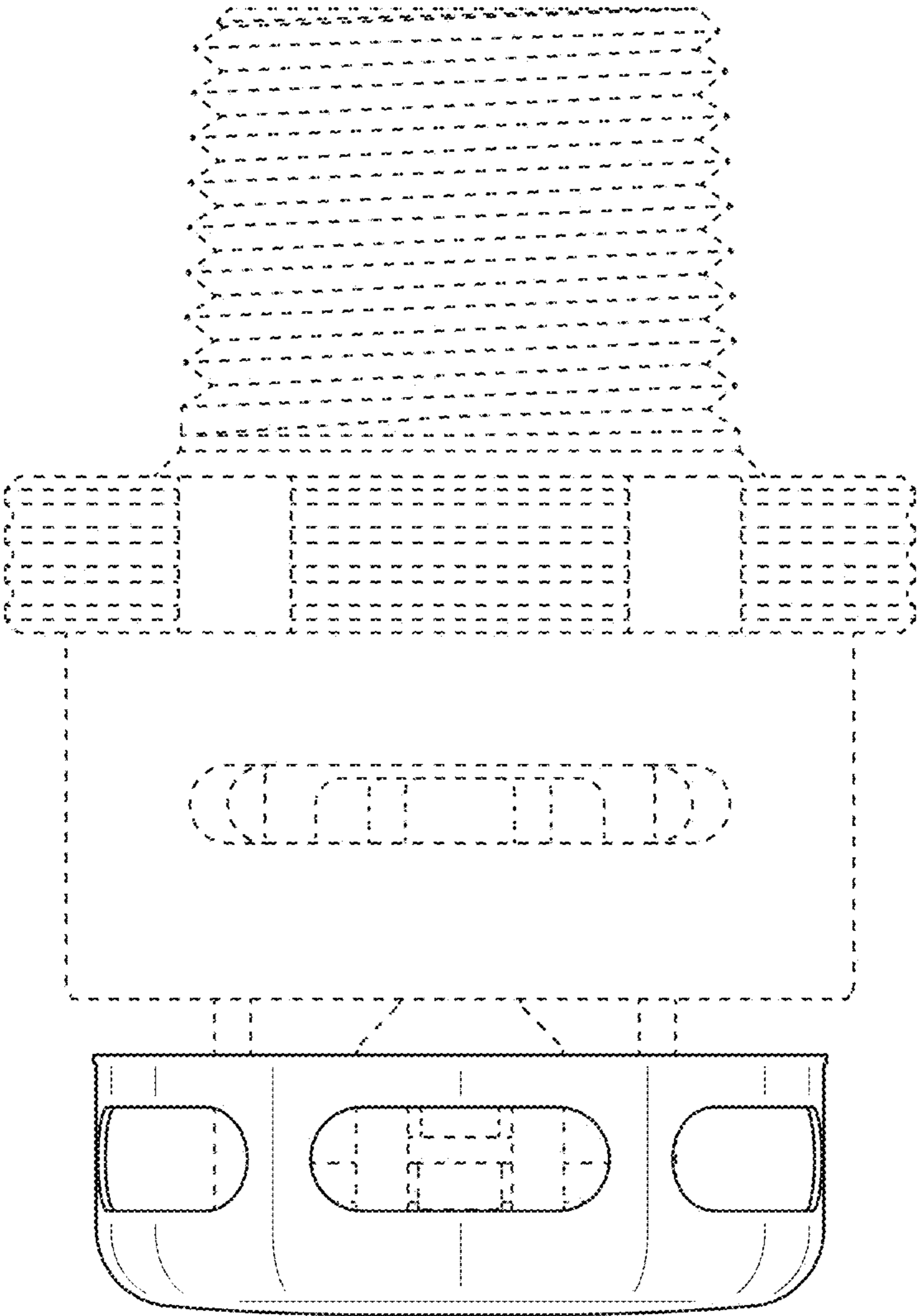


Fig. 2

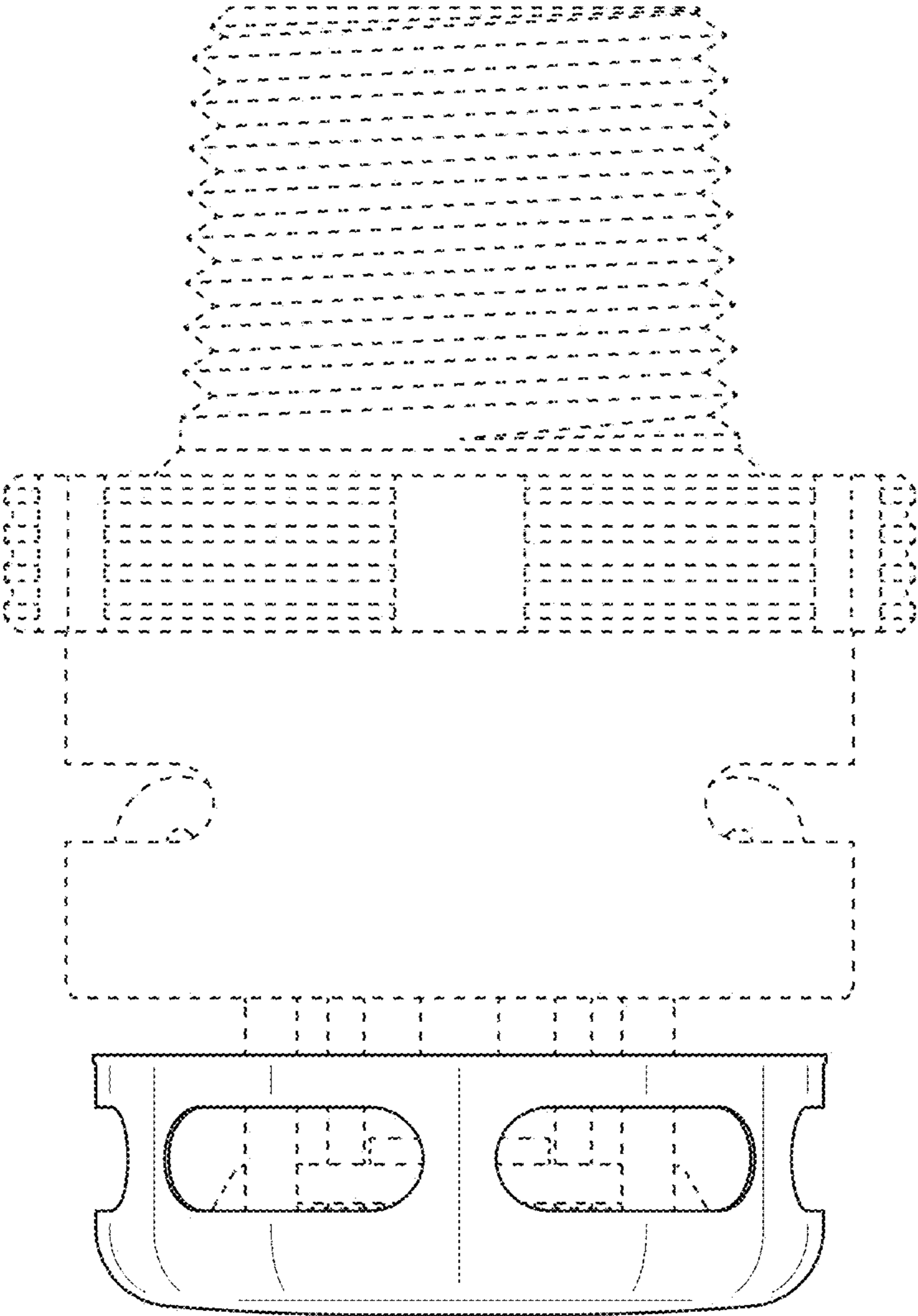


Fig. 3

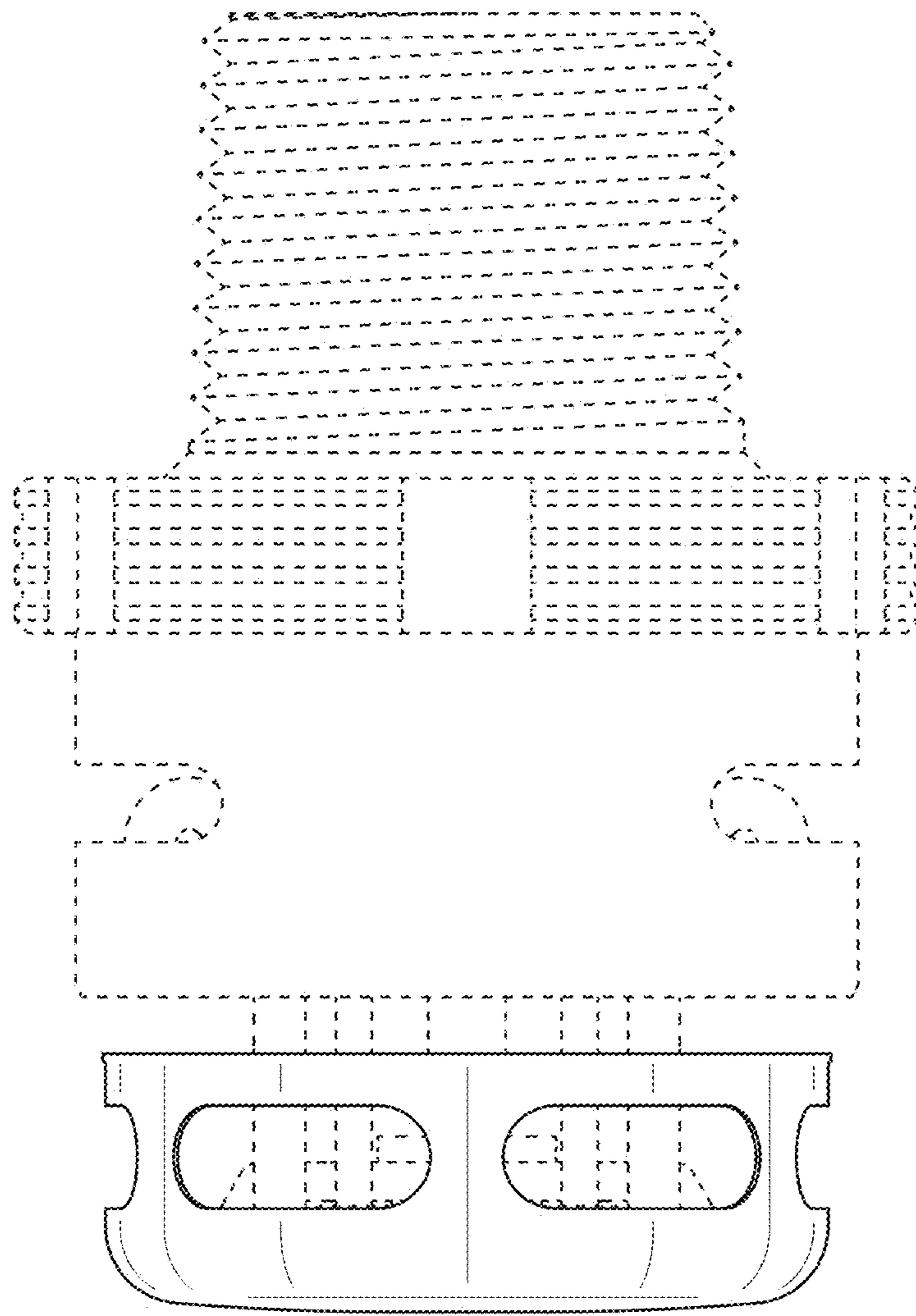


Fig. 4

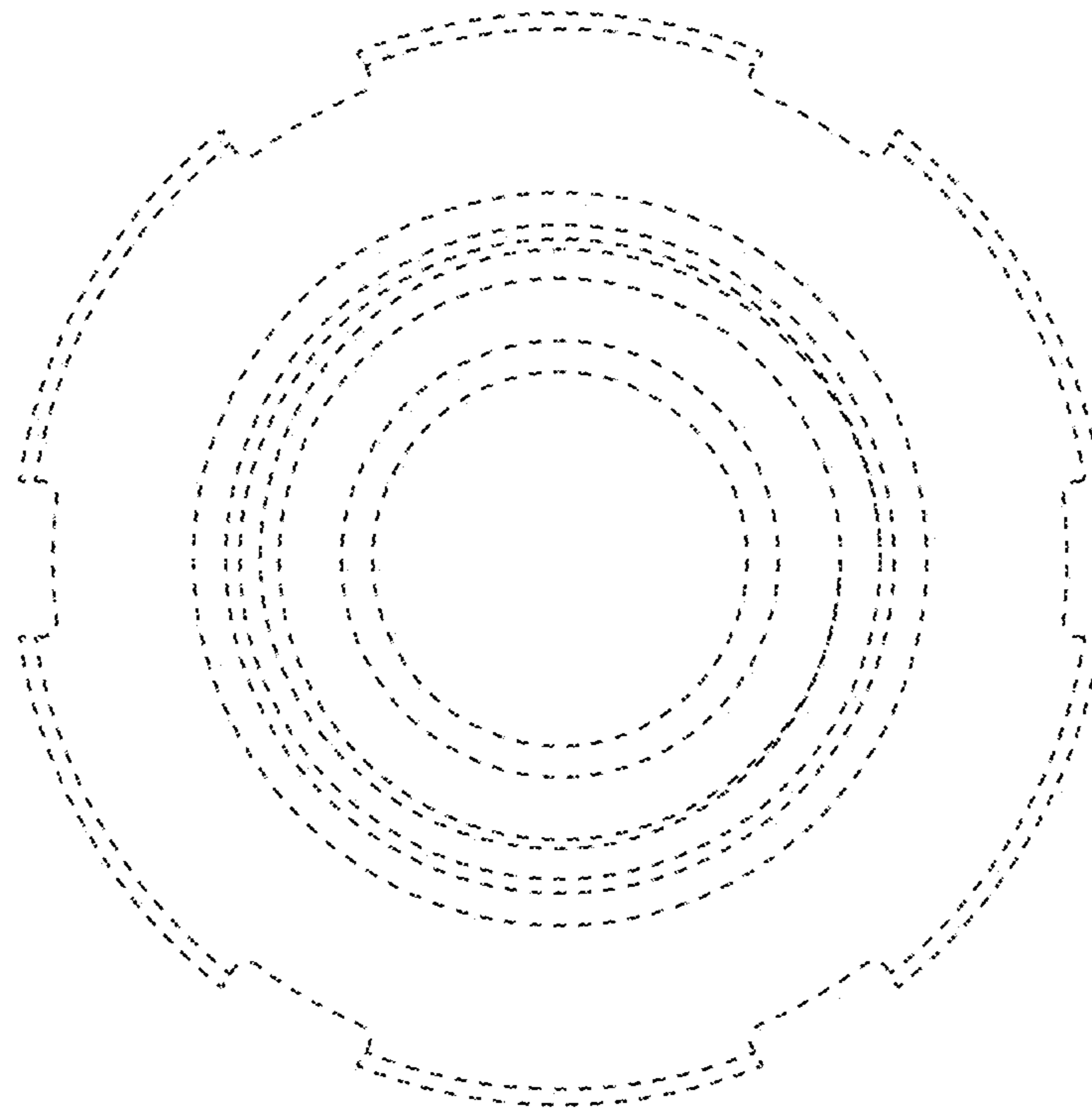


Fig. 5

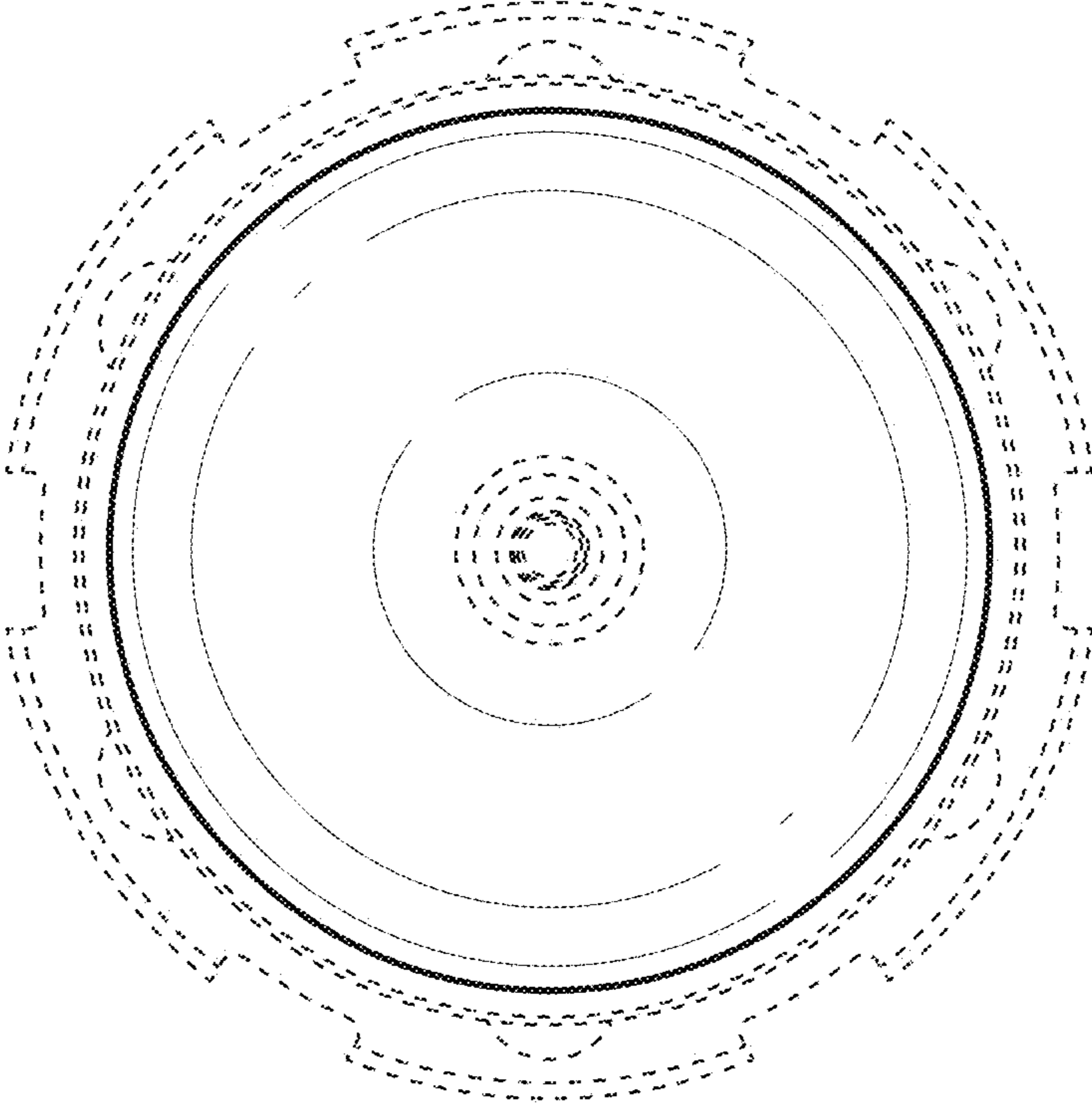


Fig. 6

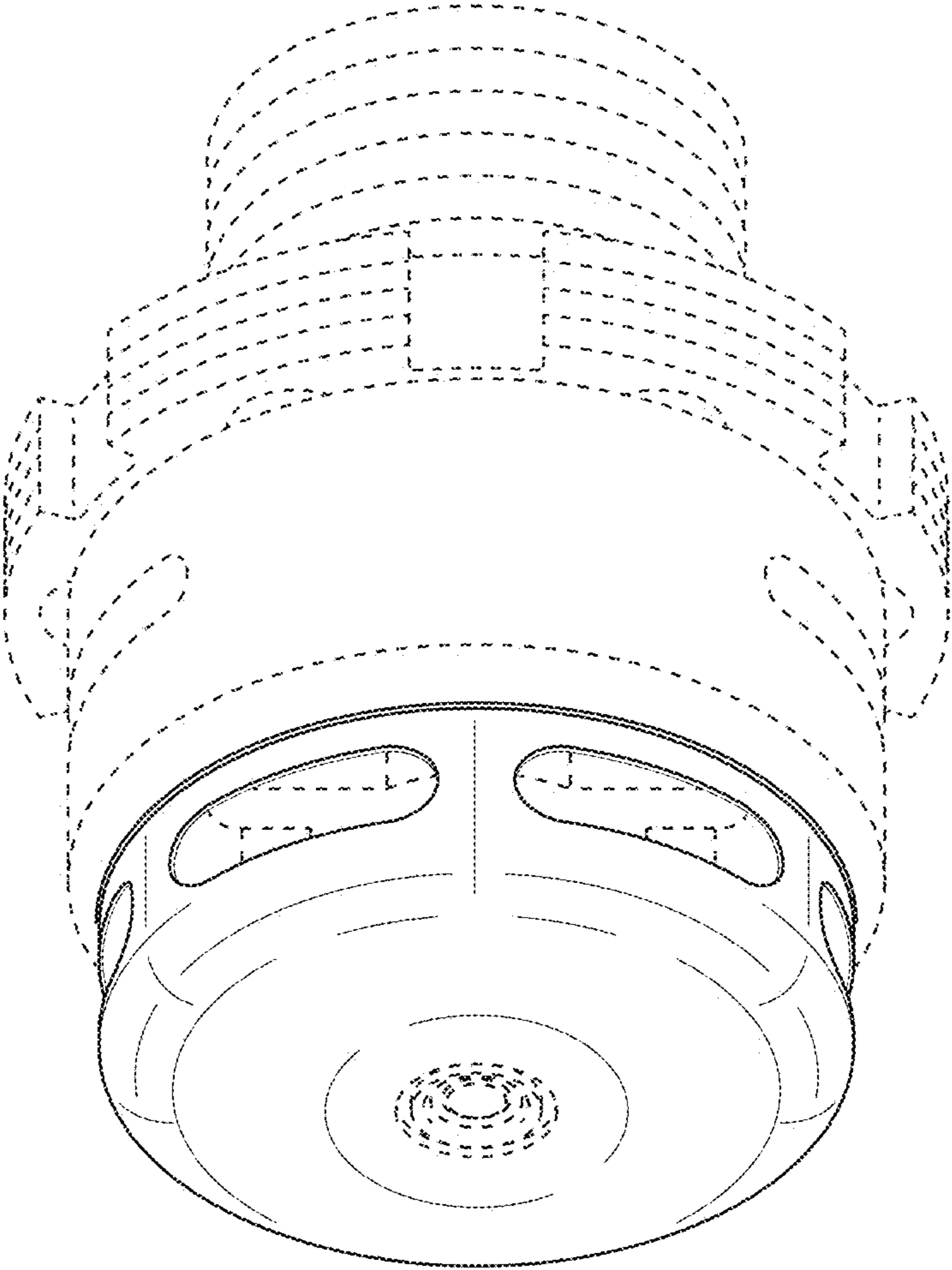


Fig. 7