



US00D972078S

(12) **United States Design Patent**
Chen

(10) **Patent No.:** **US D972,078 S**

(45) **Date of Patent:** **** Dec. 6, 2022**

(54) **SHOWER SPRAY JET**

(71) Applicant: **Jiansen Chen**, Guangdong (CN)

(72) Inventor: **Jiansen Chen**, Guangdong (CN)

(**) Term: **15 Years**

(21) Appl. No.: **29/848,261**

(22) Filed: **Aug. 1, 2022**

(51) **LOC (13) Cl.** **23-01**

(52) **U.S. Cl.**

USPC **D23/213**

(58) **Field of Classification Search**

USPC D23/213, 214, 215, 222, 223, 224, 226,
D23/229, 230

CPC A61H 9/0021; A61H 33/00; B05B 1/00;
B05B 1/14; B05B 1/185; B05B 1/08;
B05B 1/02; B05B 1/26; B05B 12/002;
B05B 1/18; B05B 9/01

See application file for complete search history.

(56) **References Cited**

U.S. PATENT DOCUMENTS

D496,987 S *	10/2004	Glunk	D23/213
D531,260 S *	10/2006	Luo	D23/213
D598,520 S *	8/2009	Flowers	D23/213
D604,802 S *	11/2009	Schoenherr	D23/213
D622,809 S *	8/2010	Montgomery	D23/213
D624,155 S *	9/2010	Yokoyama	D23/213
D634,401 S *	3/2011	Flowers	D23/213
D637,266 S *	5/2011	Flowers	D23/213
D639,382 S *	6/2011	Flowers	D23/213
D649,623 S *	11/2011	Flowers	D23/213
D694,357 S *	11/2013	Brodey	D23/213
D724,180 S *	3/2015	Lin	D23/213
8,991,432 B2 *	3/2015	Zhou	B05B 1/1627 137/883
D751,174 S *	3/2016	Schoenherr	D23/213
D758,532 S *	6/2016	Schoenherr	D23/213
D822,157 S *	7/2018	L'Henaff	D23/213

D828,905 S *	9/2018	Schoenherr	D23/213
D913,417 S *	3/2021	Huaping	D23/209
D918,334 S *	5/2021	Wei	D23/209
D927,638 S *	8/2021	Cocks	D23/213
D934,381 S *	10/2021	Salvador	D23/213

(Continued)

OTHER PUBLICATIONS

Grohe Rainshower In.F In. Series Body Spray, May 20, 2009, Amazon.com Aug. 25, 2021, URL: <https://www.amazon.com/Rainshower-F-Body-Spray/dp/B002AM0FUG> (Year: 2009).*

(Continued)

Primary Examiner — Keith J Wilson

(74) *Attorney, Agent, or Firm* — ScienBiziP, P.C.

(57) **CLAIM**

The ornamental design for a shower spray jet, as shown and described.

DESCRIPTION

FIG. 1 is a front, right and top perspective view of a shower spray jet, showing my design.

FIG. 2 is another front, right and top perspective view thereof.

FIG. 3 is a rear, left and bottom perspective view thereof.

FIG. 4 is a front elevation view of the shower spray jet in FIG. 1 in a state.

FIG. 5 is another front elevation view the shower spray jet in FIG. 1 in another state.

FIG. 6 is a rear elevation view thereof.

FIG. 7 is a left side elevation view thereof.

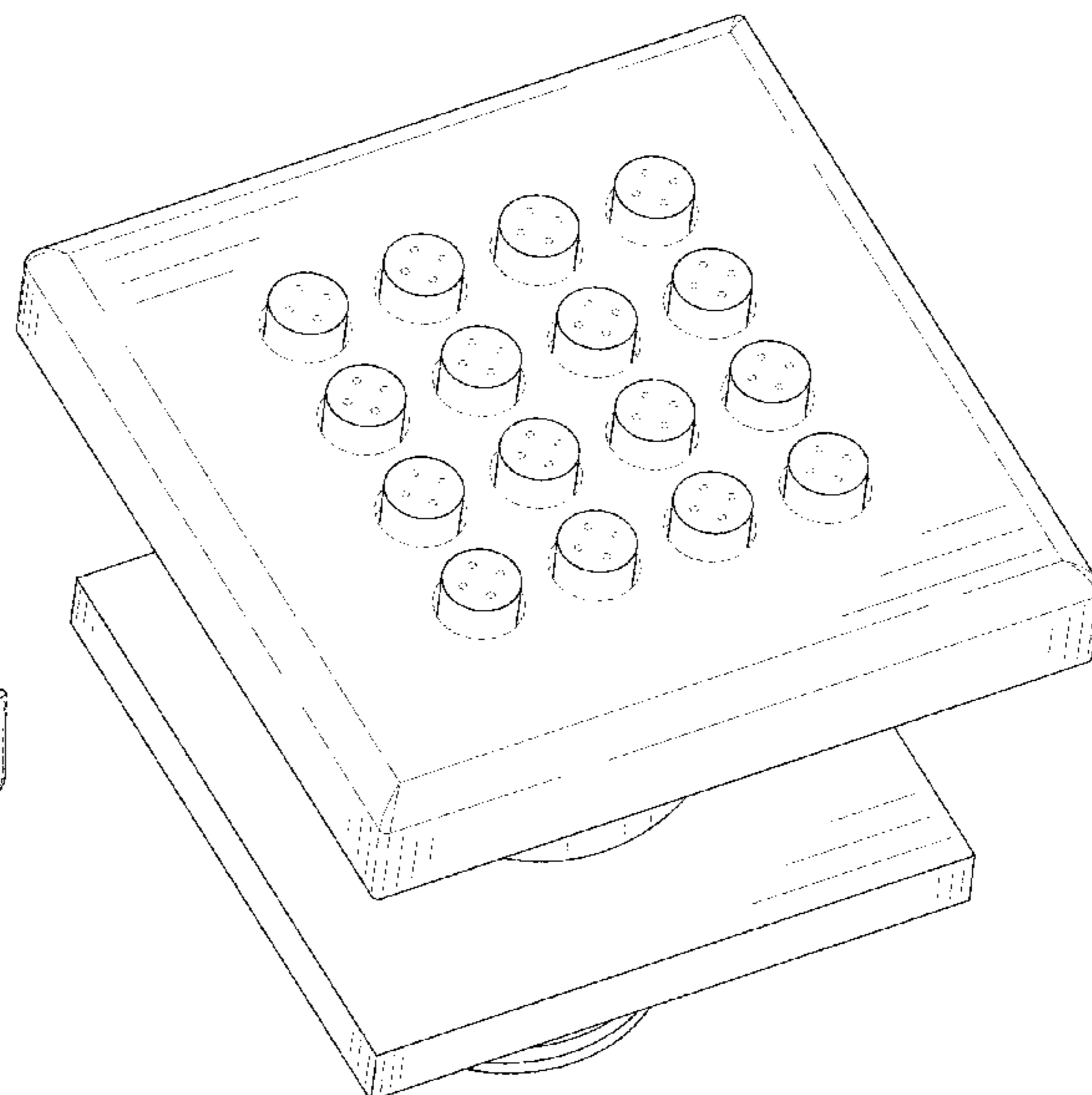
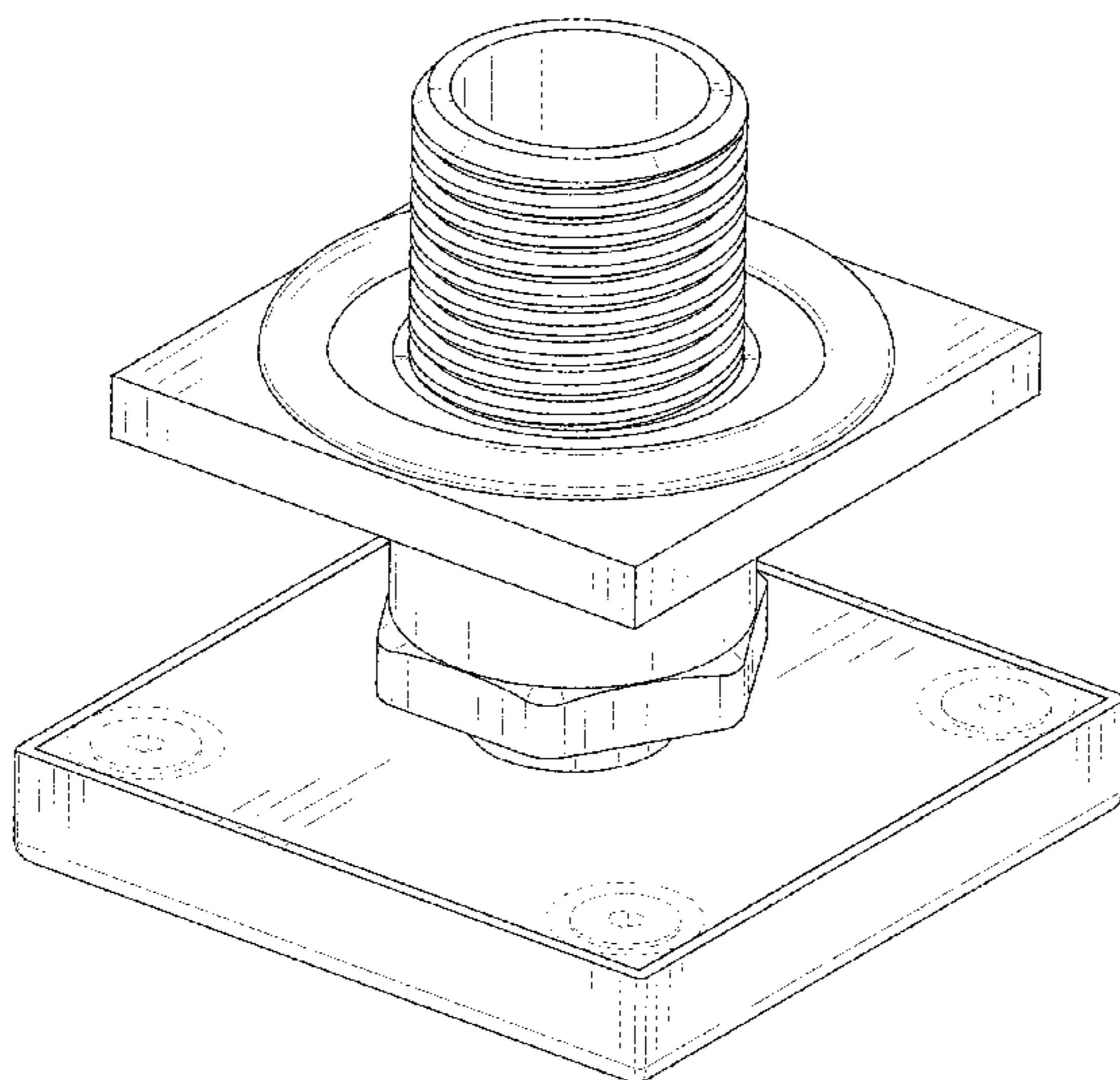
FIG. 8 is a right side elevation view thereof.

FIG. 9 is a top plan view thereof; and,

FIG. 10 is a bottom plan view thereof.

The broken lines shown in the drawings are included for the purpose of illustrating portions of the shower spray jet that form no part of the claimed design.

1 Claim, 10 Drawing Sheets



(56)

References Cited

U.S. PATENT DOCUMENTS

D939,662 S * 12/2021 Eads D23/213
D955,527 S 6/2022 Lin
D958,292 S 7/2022 Abbhagen
D961,046 S * 8/2022 He D23/213

OTHER PUBLICATIONS

Kohler K-14786-BN, Brushed Nickel, Nov. 3, 2010, Amazon.com, Aug. 25, 2021, URL: <https://www.amazon.com/Kohler-K-14786-BN-KOHLER-Brushed-Nickel/dp/B004AKW3KG/> (Year: 2010).*

Kingston Brass KX8223CK Claremont 12 Rainfall Square Head, Sep. 25, 2020, Amazon.com, Aug. 25, 2021, URL: https://www.amazon.com/dp/B08KFHWCG/ref=sbl_dpx_B004AKW3KG_0 (Year: 2020).*

Grohe 26471000, StarLight Chrome, May 1, 2018, Amazon.com, Aug. 25, 2021, URL: <https://www.amazon.com/Rainshower-Single-Function-Shower-Starlight/dp/B07CS9NHJH> (Year: 2018).*

* cited by examiner

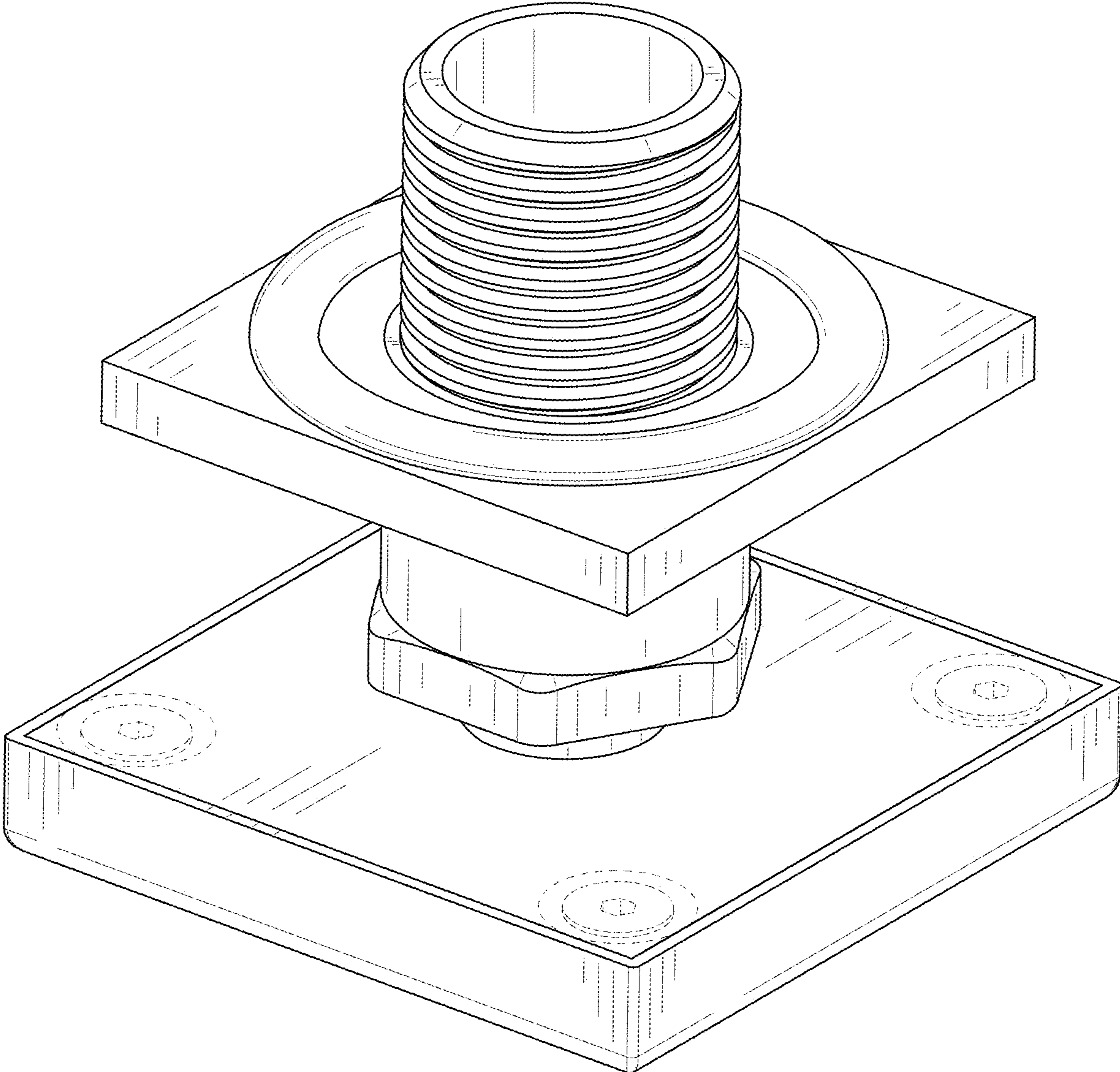


FIG.1

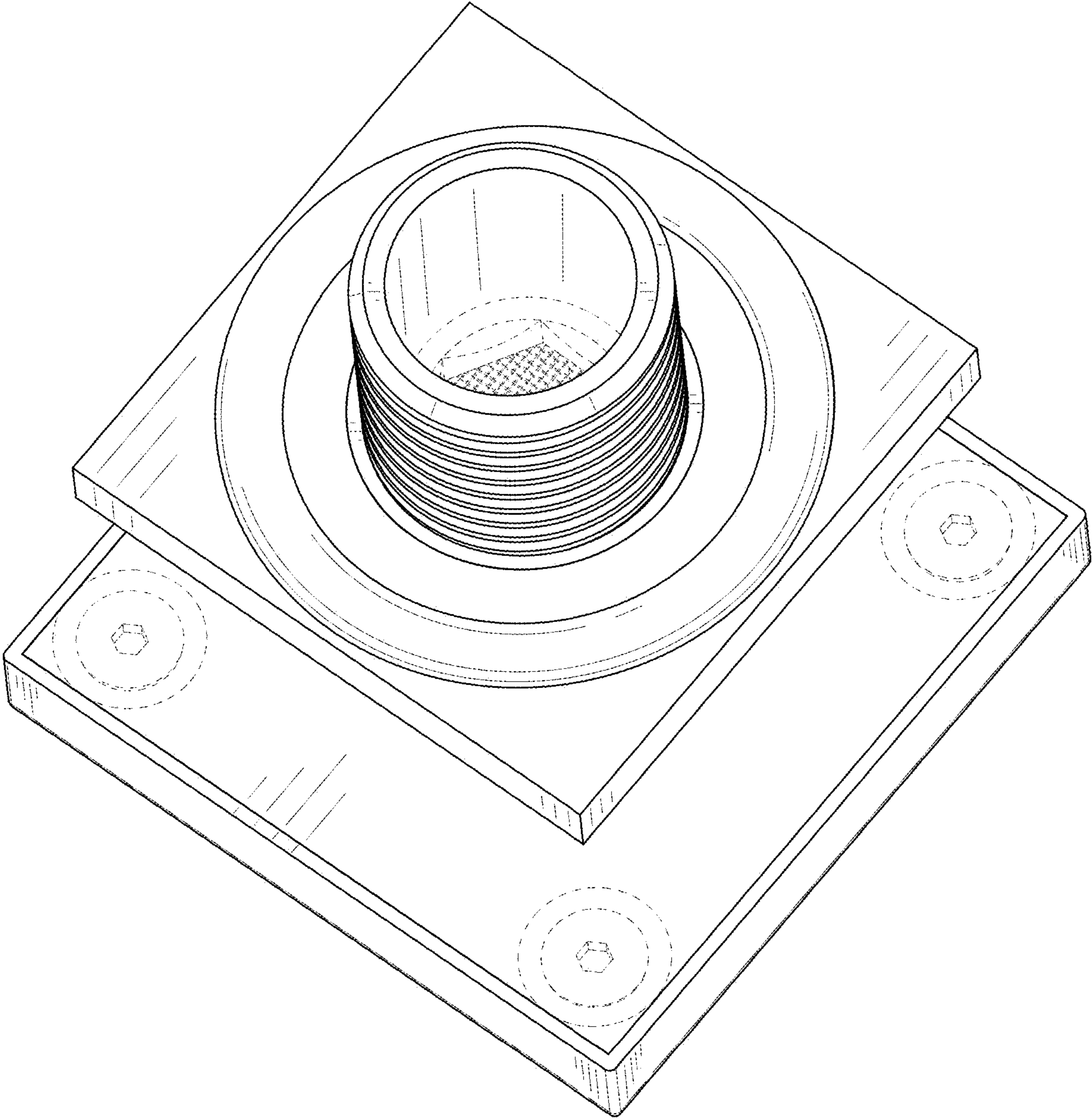


FIG.2

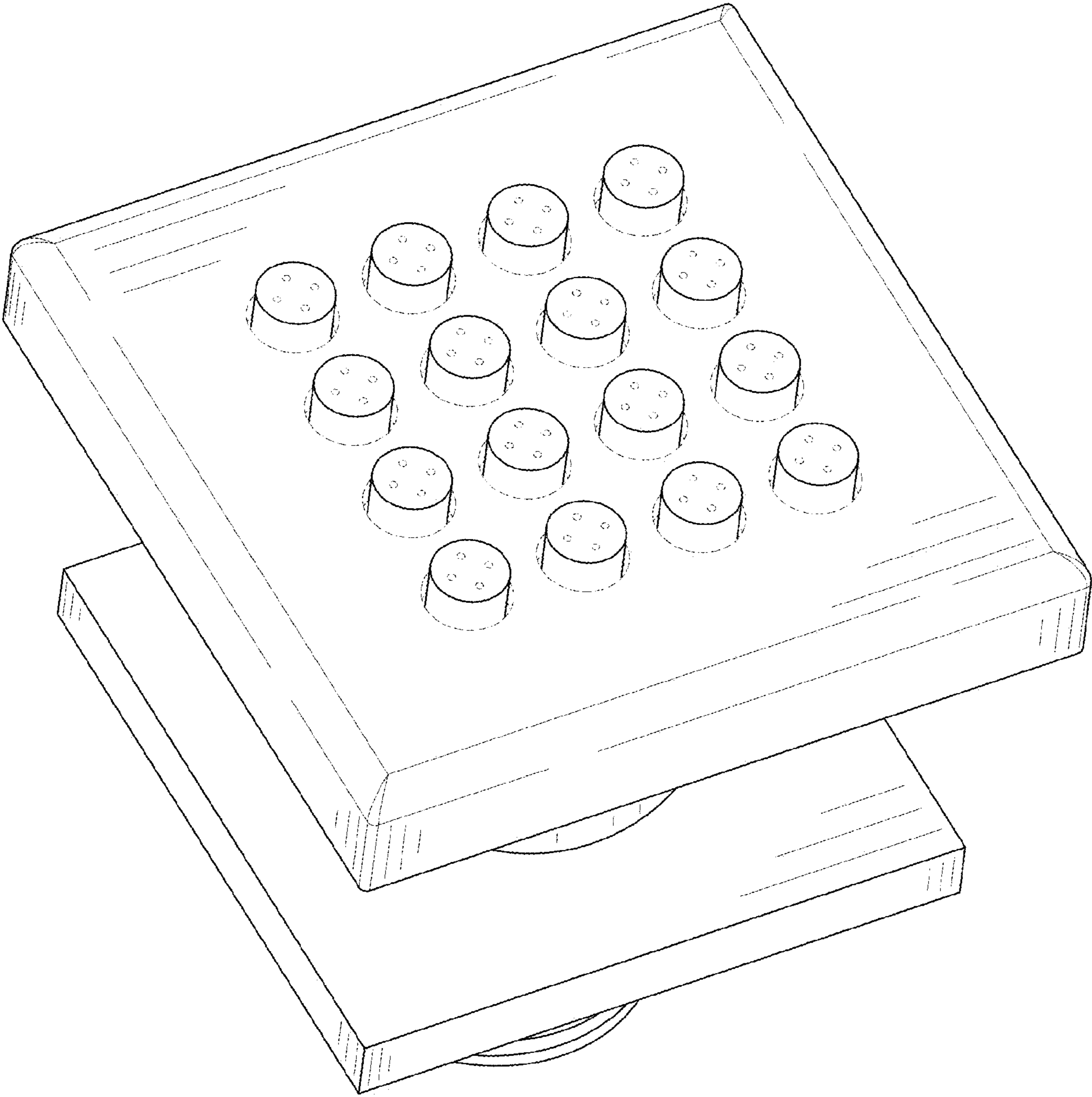


FIG.3

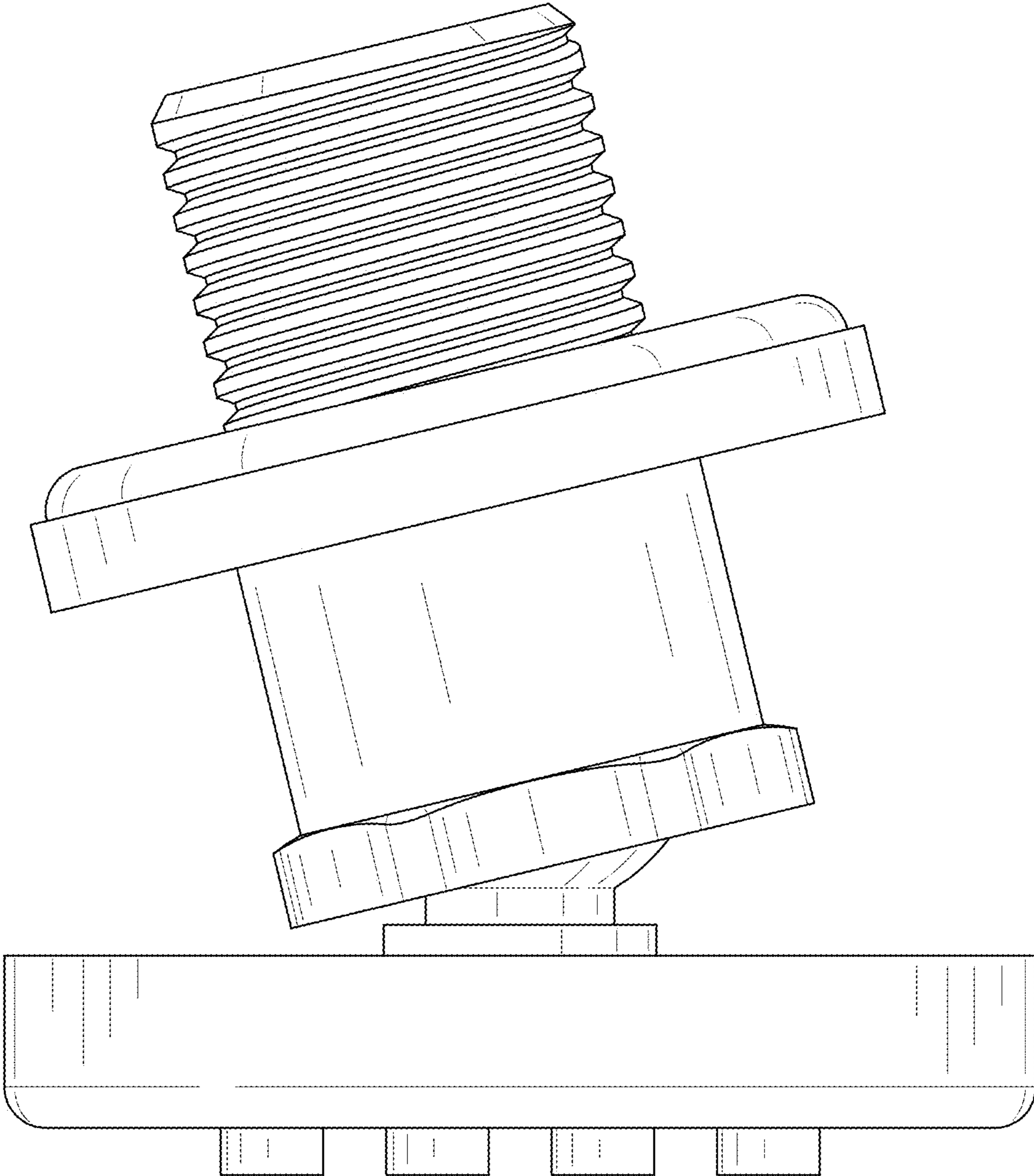


FIG.4

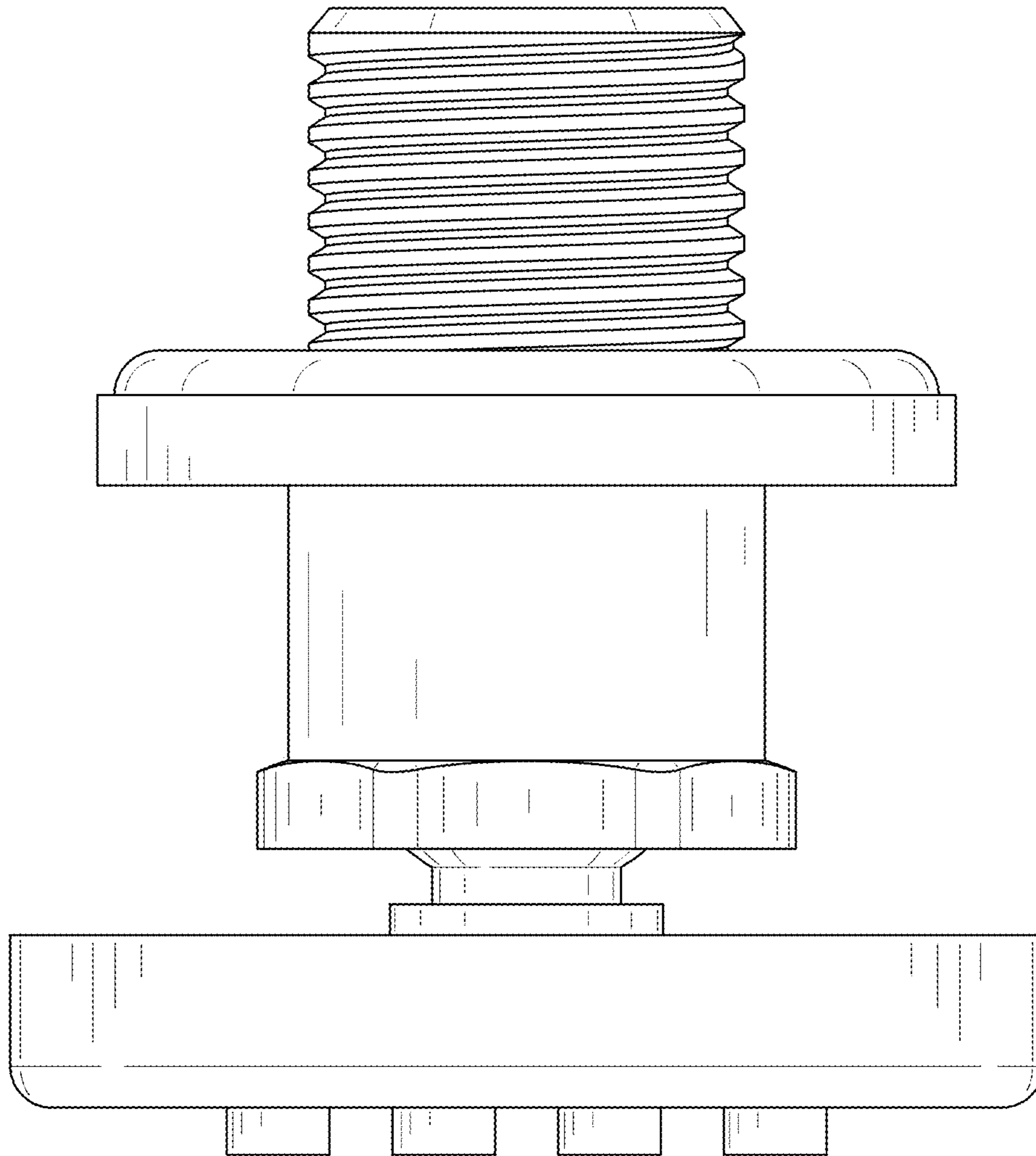


FIG.5

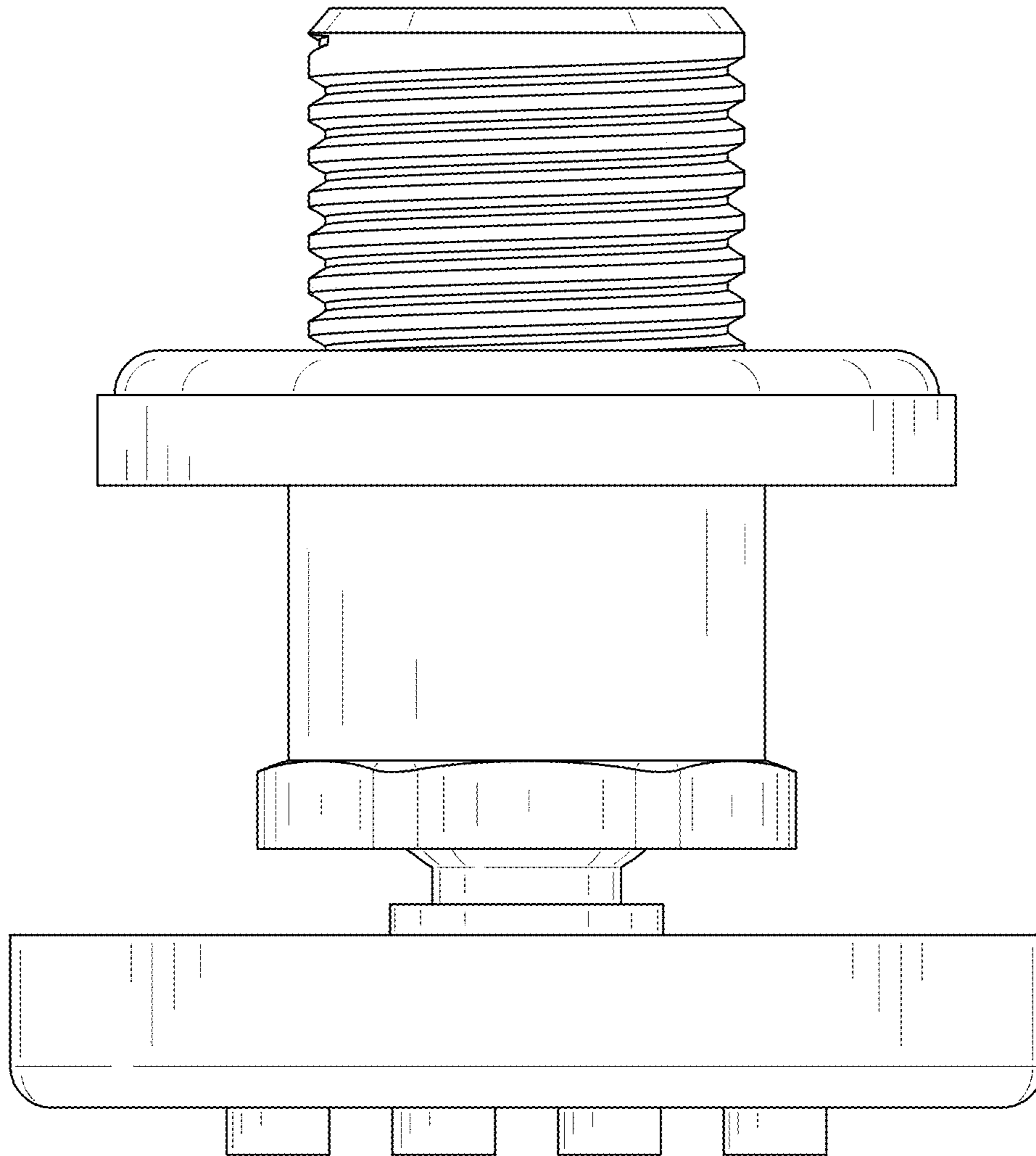


FIG. 6

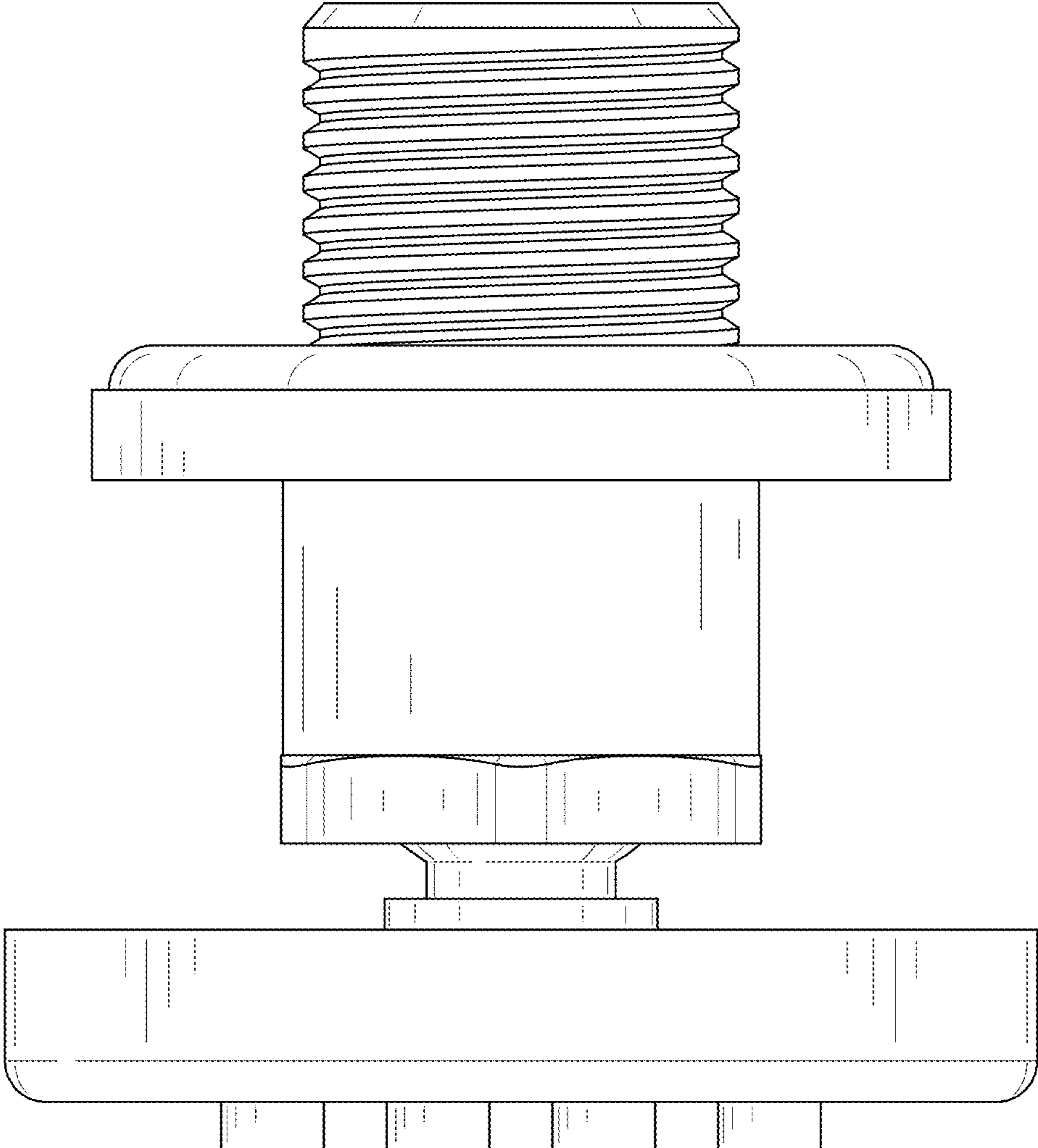


FIG.7

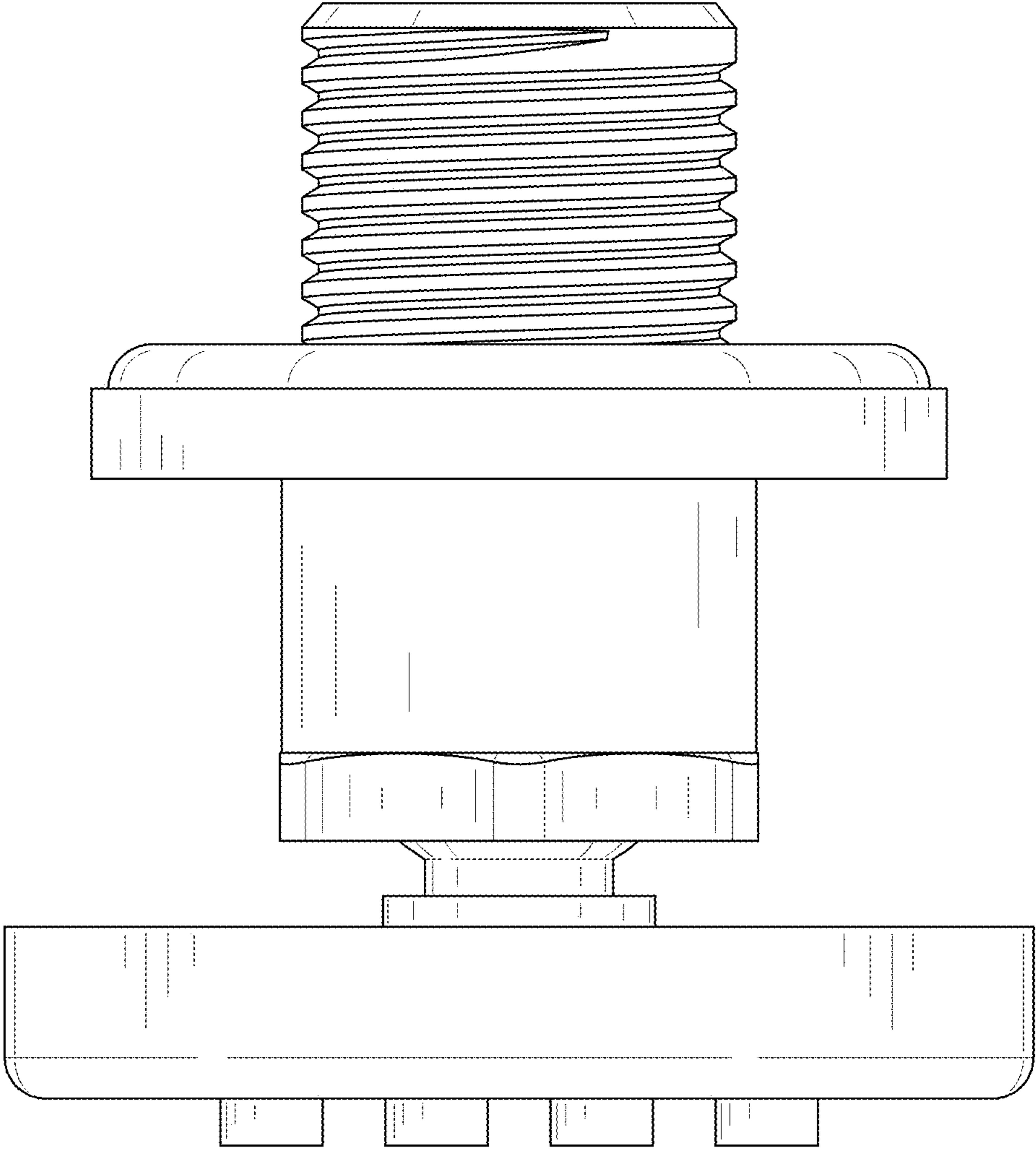


FIG.8

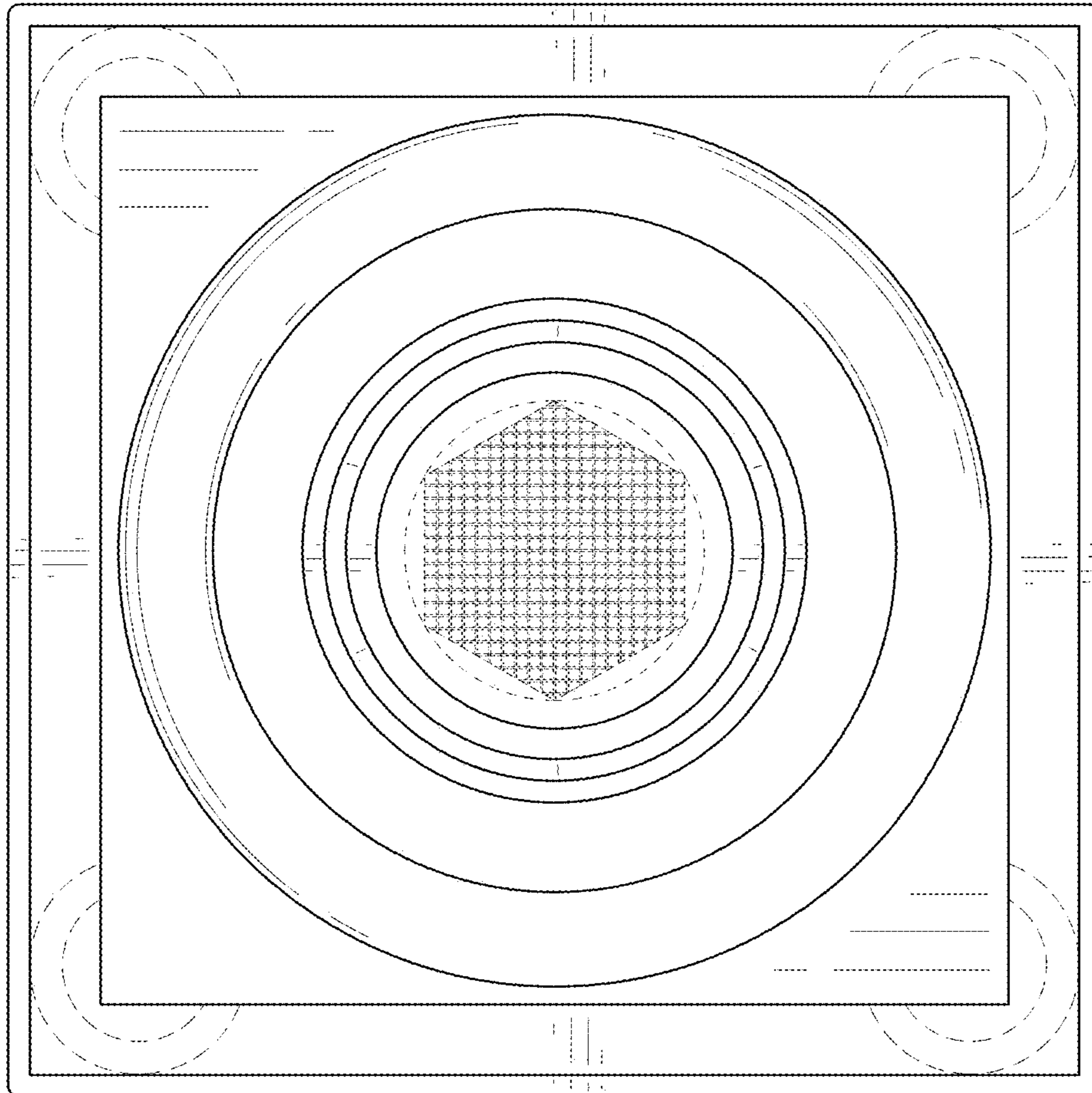


FIG.9

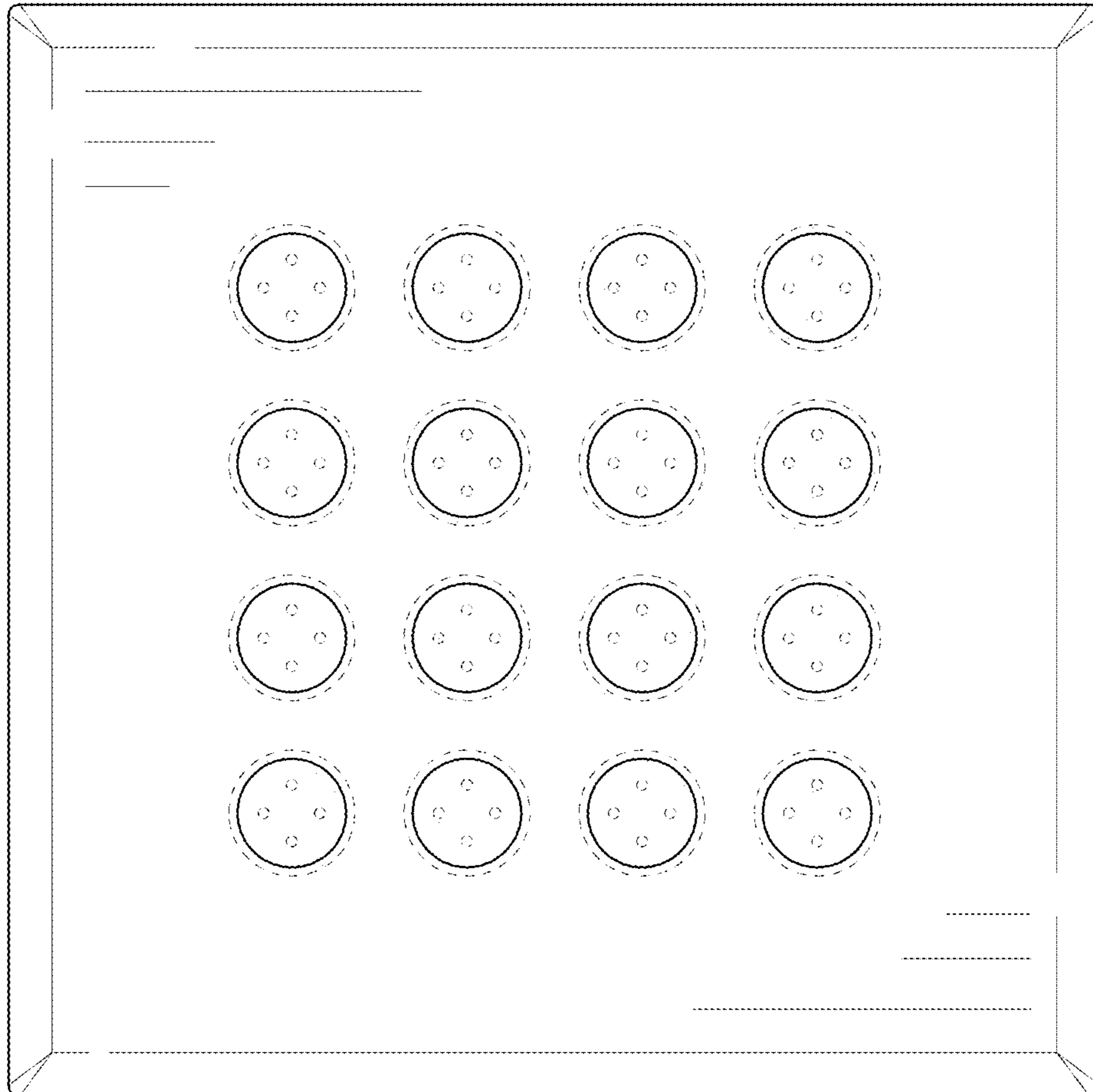


FIG.10