



US00D972077S

(12) **United States Design Patent** (10) **Patent No.:** **US D972,077 S**
Ross (45) **Date of Patent:** **** Dec. 6, 2022**

(54) **FLUID CARTRIDGE**

(71) Applicant: **Graco Minnesota Inc.**, Minneapolis, MN (US)

(72) Inventor: **Daniel P. Ross**, Vadnais Heights, MN (US)

(73) Assignee: **Graco Minnesota Inc.**, Minneapolis, MN (US)

(**) Term: **15 Years**

(21) Appl. No.: **29/831,528**

(22) Filed: **Mar. 21, 2022**

Related U.S. Application Data

(63) Continuation of application No. 29/808,038, filed on Sep. 16, 2021, now Pat. No. Des. 956,925, which is a continuation of application No. 29/710,788, filed on Oct. 25, 2019, now Pat. No. Des. 933,160, which is a continuation of application No. 29/698,843, filed on Jul. 19, 2019, now Pat. No. Des. 904,563.

(51) **LOC (13) Cl.** **23-01**

(52) **U.S. Cl.**
USPC **D23/213**

(58) **Field of Classification Search**
USPC D23/207, 213, 214, 215, 223, 224, 226, D23/229, 230; D24/108, 224, 232
CPC A61H 9/0021; A61H 33/00; B05B 1/00; B05B 1/14; B05B 1/185; B05B 1/08; B05B 1/02; B05B 1/26; B05B 12/002; B05B 1/18; B05B 9/01
See application file for complete search history.

(56) **References Cited**

U.S. PATENT DOCUMENTS

4,437,103 A 3/1984 Ikeda
D305,360 S 1/1990 Fechtner

D309,015 S 7/1990 Fechtner et al.
D349,558 S * 8/1994 Albers D9/435
D395,073 S * 6/1998 Albertson D23/213
D506,256 S * 6/2005 Miyoshi D24/129
D589,799 S * 4/2009 McEwan D9/503
D616,822 S * 6/2010 Zayas D13/134
D638,518 S 5/2011 Herre et al.

(Continued)

OTHER PUBLICATIONS

North by Honeywell N75001L Gas and Vapor Cartridges, Mar. 9, 2018, amazon.ca, Apr. 6, 2022, URL: <https://www.amazon.ca/North-Honeywell-N75001L-Cartridges-Cartridge/dp/B00Z2RIO2C/> (Year: 2018).*

(Continued)

Primary Examiner — Keith J Wilson

(74) *Attorney, Agent, or Firm* — Kinney & Lange, P. A.

(57) **CLAIM**

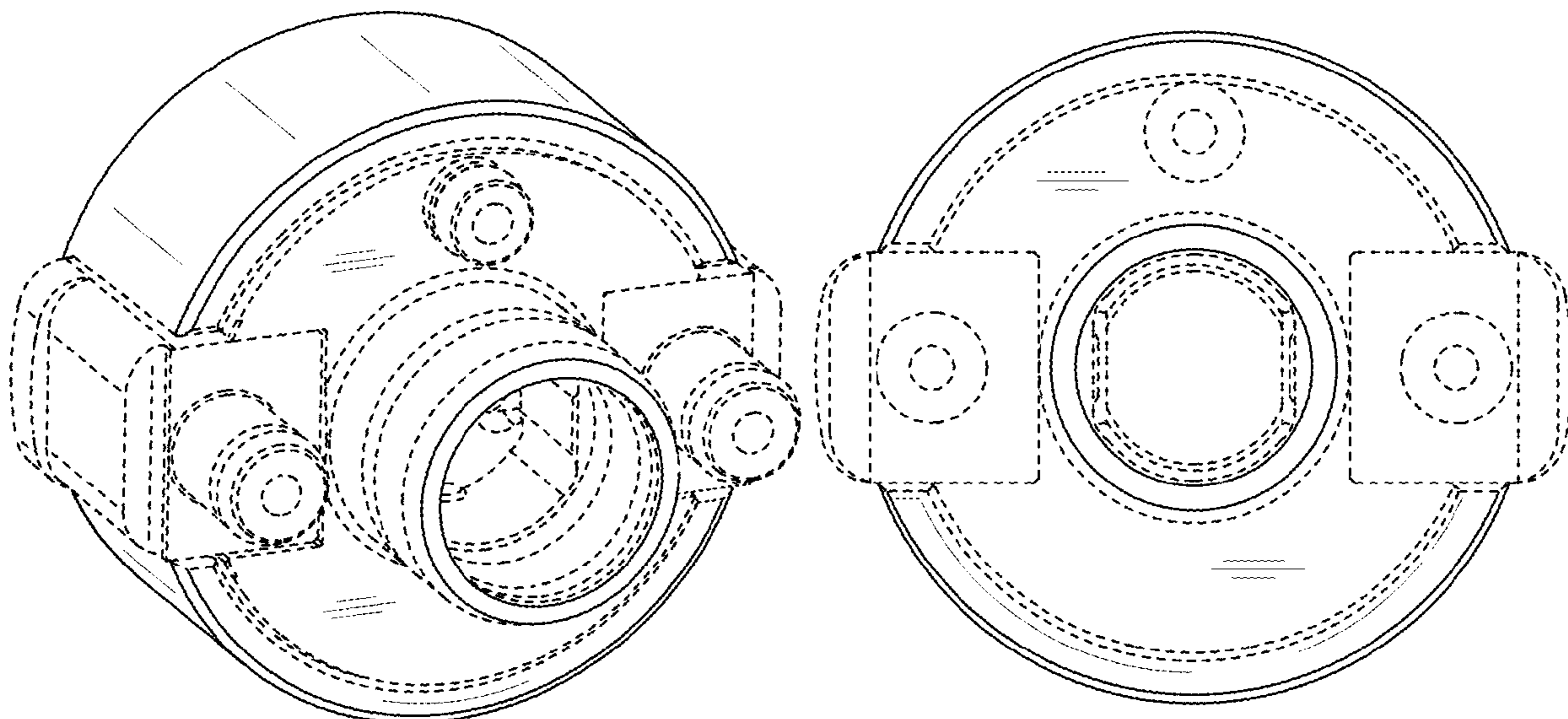
The ornamental design for a fluid cartridge, as shown and described.

DESCRIPTION

FIG. 1 is a perspective view of a consumable fluid cartridge; FIG. 2 is a rear elevational view of the consumable fluid cartridge; FIG. 3 is a front elevational view of the consumable fluid cartridge; FIG. 4 is a left side view of the consumable fluid cartridge; FIG. 5 is a right side view of the consumable fluid cartridge; FIG. 6 is a top plan view of the consumable fluid cartridge; and, FIG. 7 is a bottom plan view of the consumable fluid cartridge.

The broken lines shown represent portions of a fluid cartridge and form no part of the claimed design.

1 Claim, 3 Drawing Sheets



(56)

References Cited

U.S. PATENT DOCUMENTS

D676,544 S * 2/2013 Blocher D24/108
 D693,427 S 11/2013 Jones et al.
 D706,135 S * 6/2014 Hutchison D9/447
 D733,455 S 7/2015 Watson et al.
 D734,868 S * 7/2015 Gilboa D24/231
 D747,458 S * 1/2016 Sonderegger D24/111
 D747,459 S * 1/2016 Sonderegger D24/111
 D749,693 S 2/2016 Evans et al.
 D780,291 S * 2/2017 Schrum D23/225
 D786,420 S * 5/2017 Schmitt D24/108
 9,839,580 B2 * 12/2017 Lev A61J 1/2089
 D818,083 S * 5/2018 Dishman D23/209
 9,963,279 B2 * 5/2018 Huber B67D 3/0051
 D825,737 S * 8/2018 Yokoyama D24/129
 D834,938 S * 12/2018 Barnes D9/435
 D839,421 S * 1/2019 Baldauf D24/127
 D842,105 S * 3/2019 Willemstyn D9/436
 10,278,897 B2 * 5/2019 David A61J 1/2096
 D856,512 S * 8/2019 Cowart B29C 45/0081
 D24/121
 D866,747 S 11/2019 Tucker et al.
 D874,611 S * 2/2020 Ess D23/226
 D881,342 S * 4/2020 Chou D9/688
 D899,925 S * 10/2020 Laible D9/436
 D904,563 S 12/2020 Ross
 D908,186 S 1/2021 Iyasu
 D908,204 S 1/2021 Casiello
 10,940,493 B2 3/2021 Levake et al.
 10,945,921 B2 * 3/2021 Denenburg A61J 1/2013
 D917,693 S * 4/2021 Lev D24/129
 D918,340 S * 5/2021 Zheng D23/225
 11,007,545 B2 5/2021 Dawson et al.
 D921,152 S 6/2021 Blum
 D932,048 S * 9/2021 Laible D24/220
 D934,384 S * 10/2021 Masalin D23/226
 D939,044 S * 12/2021 Liqin D23/209
 2009/0229470 A1 * 9/2009 Dorfmueeller A47J 31/0689
 426/77
 2013/0155156 A1 6/2013 Harvey et al.
 2014/0158615 A1 * 6/2014 Senf B01L 3/523
 210/635
 2014/0202944 A1 * 7/2014 Wes B01D 35/306
 210/435
 2017/0356582 A1 12/2017 Pappalardo
 2018/0178534 A1 * 6/2018 Nukui B41J 2/17546
 2020/0408185 A1 12/2020 Edenhholm
 2021/0007928 A1 1/2021 Howe
 2021/0076895 A1 3/2021 He et al.
 2021/0138499 A1 5/2021 Hazel et al.
 2021/0148496 A1 5/2021 Vallo et al.

OTHER PUBLICATIONS

Honeywell Home 7581P100L Combo Organic Vapor and P100 Particulate Filter Cartridge, Apr. 16, 2016, amazon.ca, Apr. 6, 2022, URL: <https://www.amazon.ca/Honeywell-7581P100L-Organic-Particulate-Cartridge/dp/B00COTZTJW/> (Year: 2022).*

Features of the Fusion ProConnect (PC) Cartridge, Jan. 16, 2020, youtube.com, Apr. 6, 2022, URL: <https://www.youtube.com/watch?v=uTfs2KmUPBA> (Year: 2020).*

Fusion ProConnect Animation Overview, Feb. 20, 2020, youtube.com, Apr. 6, 2022, URL: <https://www.youtube.com/watch?v=3vp8XObW-XM> (Year: 2020).*

Delta RP46074 Tub Shower Cartridge, 1, White, Aug. 5, 2008, amazon.com, Dec. 3, 2021, URL: <https://www.amazon.com/DELTA-RP46074-SHOWER-CARTRIDGE-White/dp/B001DU57R2>(Year:2008).

D'light Online HD15 Liquid Votive Fuel Cells 15 Hour Disposable Liquid Disposable in Clear Plastic Fuel Cells, Oct. 15, 2015, Amazon.com, Jun. 11, 2021 <https://www.amazon.com/dp/B00IRHZPEY> (Year: 2015).

First Examination Report for IN Application No. 326137-011, dated Feb. 17, 2020, pp. 2.

First Examination Report for IN Application No. 326141-001, dated Feb. 18, 2020, pp. 2.

Graco Fusion AP Gun A Side Cartridge w/Stainless Side Seals, Jul. 17, 2015, Amazon.com, Jun. 11, 2021 <https://www.amazon.com/Graco-Fusion-Cartridge-Stainless-246349/dp/B008BVR4BS> (Year: 2015).

Graco Fusion CS Spray Gun, Dec. 3, 2013, Youtube.com, Jun. 11, 2021 <https://www.youtube.com/watch?v=Y1ln23nKwfo> (Year: 2013).

Graco Fusion PC ProConnect Gun Unboxing & Retrofit Kit, Mar. 31, 2020, youtube.com/ Dec. 3, 2021, URL: <https://www.youtube.com/watch?v=wSeFcbuqTaA&t=1s> (Year:2020).

<https://christianfab.com/graco-fusion-proconnect-replacement-cartridge-3-pack-pc/> (Year:2019).

Sloan WES-150 Waterfree Urinal Cartridge, May 27, 2016, faucetdepot.com, Jun. 11, 2021 https://www.faucetdepot.com/faucetdepot/ProductDetail.asp?Product=89957&AffiliateID=GoogleDirectFeed&gclid=EAlalQobChMII4KHkMaQ8QIVkuazCh1JDwsNEAkY-ASABEgJffvD_BwE (Year: 2016).

Delta Faucet RP46074 MultiChoice 13/14 Series Cartridge Assembly, May 16, 2011, amazon.ca, Apr. 27, 2022, URL: <https://www.amazon.ca/FAUCET-RP46074-MultiChoice-Cartridge-Assembly/dp/B001DU57R2/> (Year: 2011).

Kohler 77688-NA Aquifer Replacement Filter Cartridge, Mar. 28, 2018, amazon.ca, Apr. 28, 2022, URL; <https://www.amazon.ca/KOHLER-77688-NA-Aquifer-Replacement-Cartridge/dp/B074C9D8T9/> (Year: 2018).

Miaras Collections Bypass Compatible with Water Filter Ultrawf, Feb. 2, 2017, amazon.ca, Apr. 28, 2022, URL: <https://www.amazon.ca/ULTRAWF-Filter-Compatible-MIARA%60s-Collection/dp/B01NBXCOIF/> (Year: 2017).

* cited by examiner

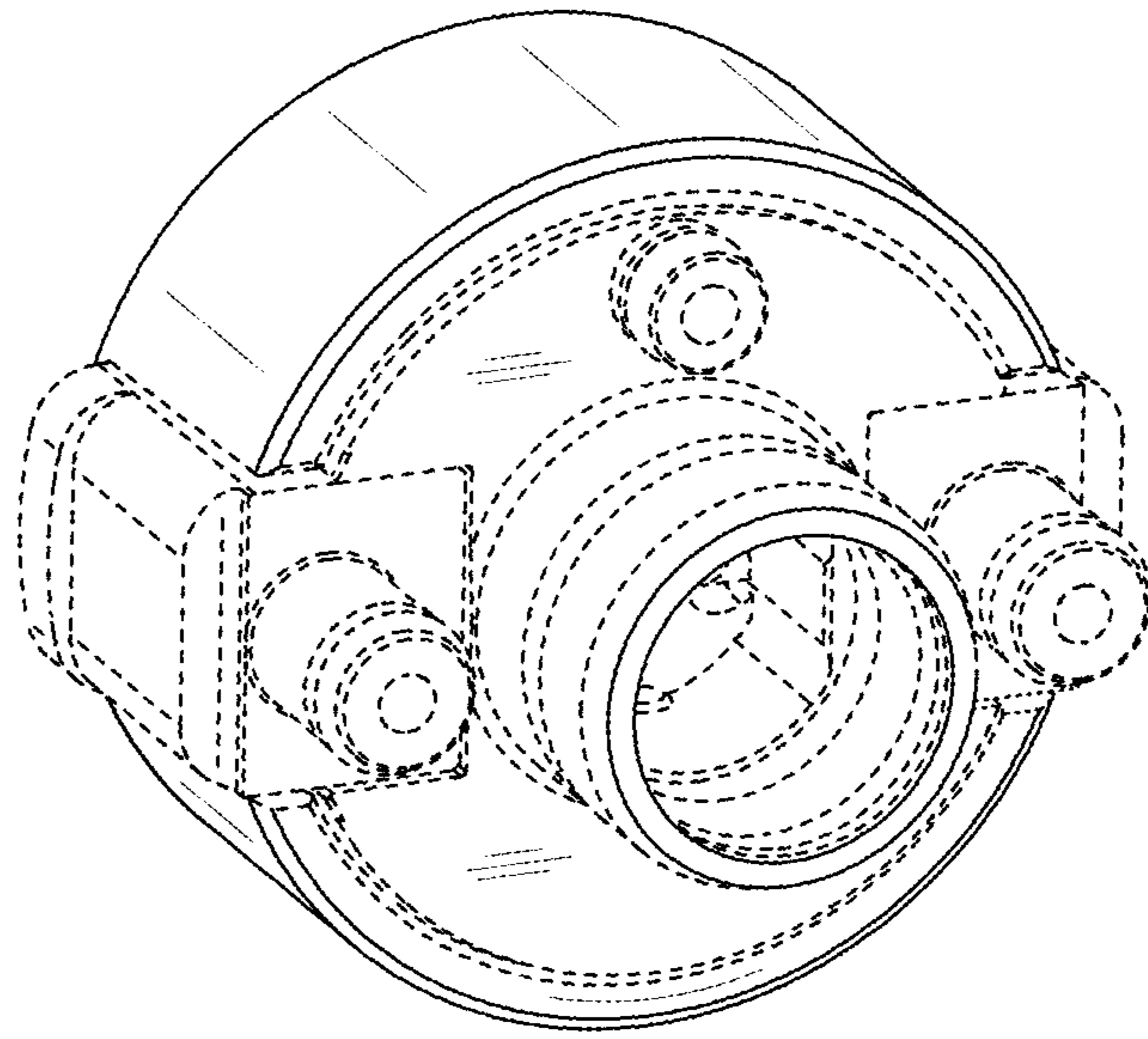


Fig. 1

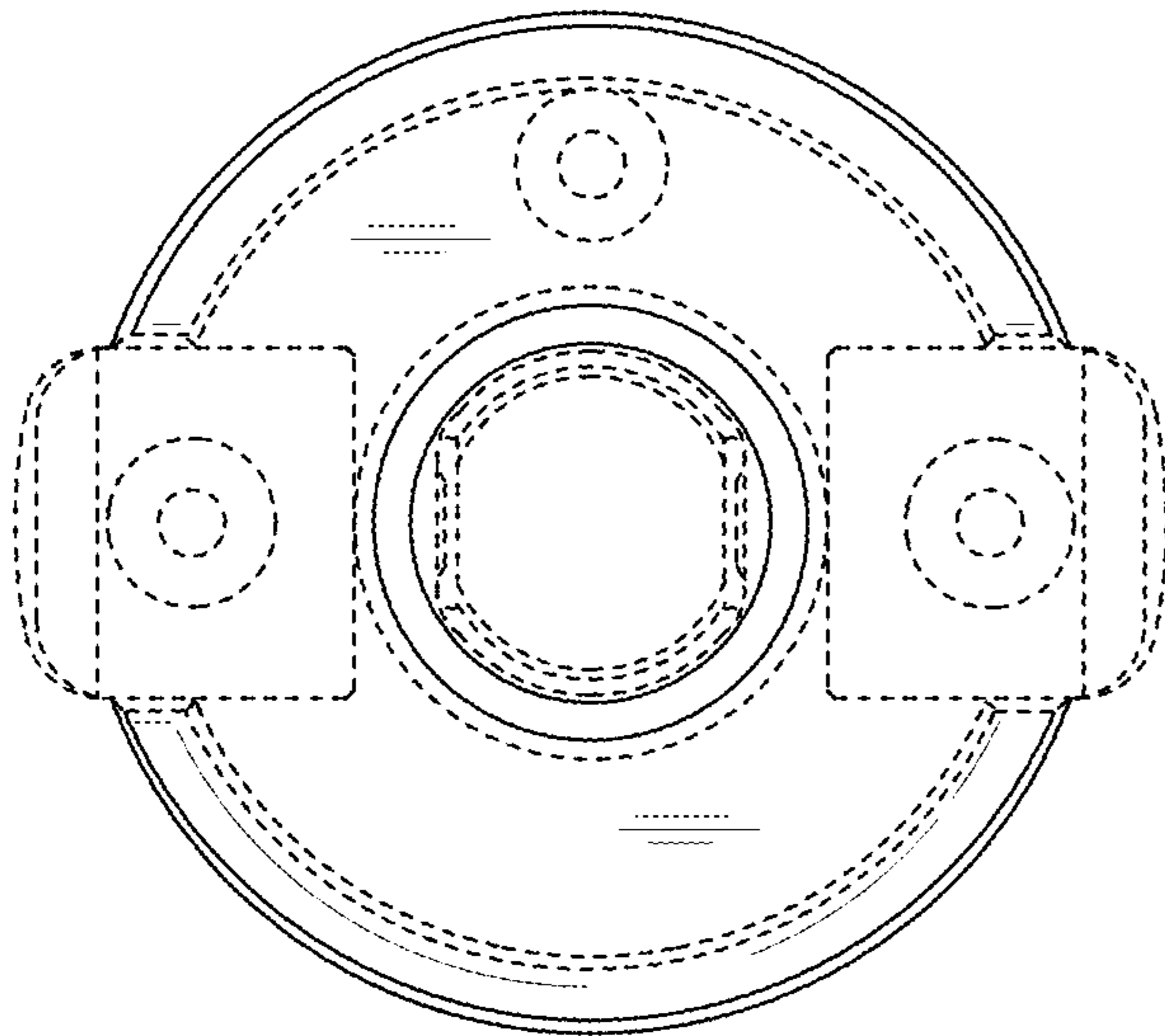


Fig. 2

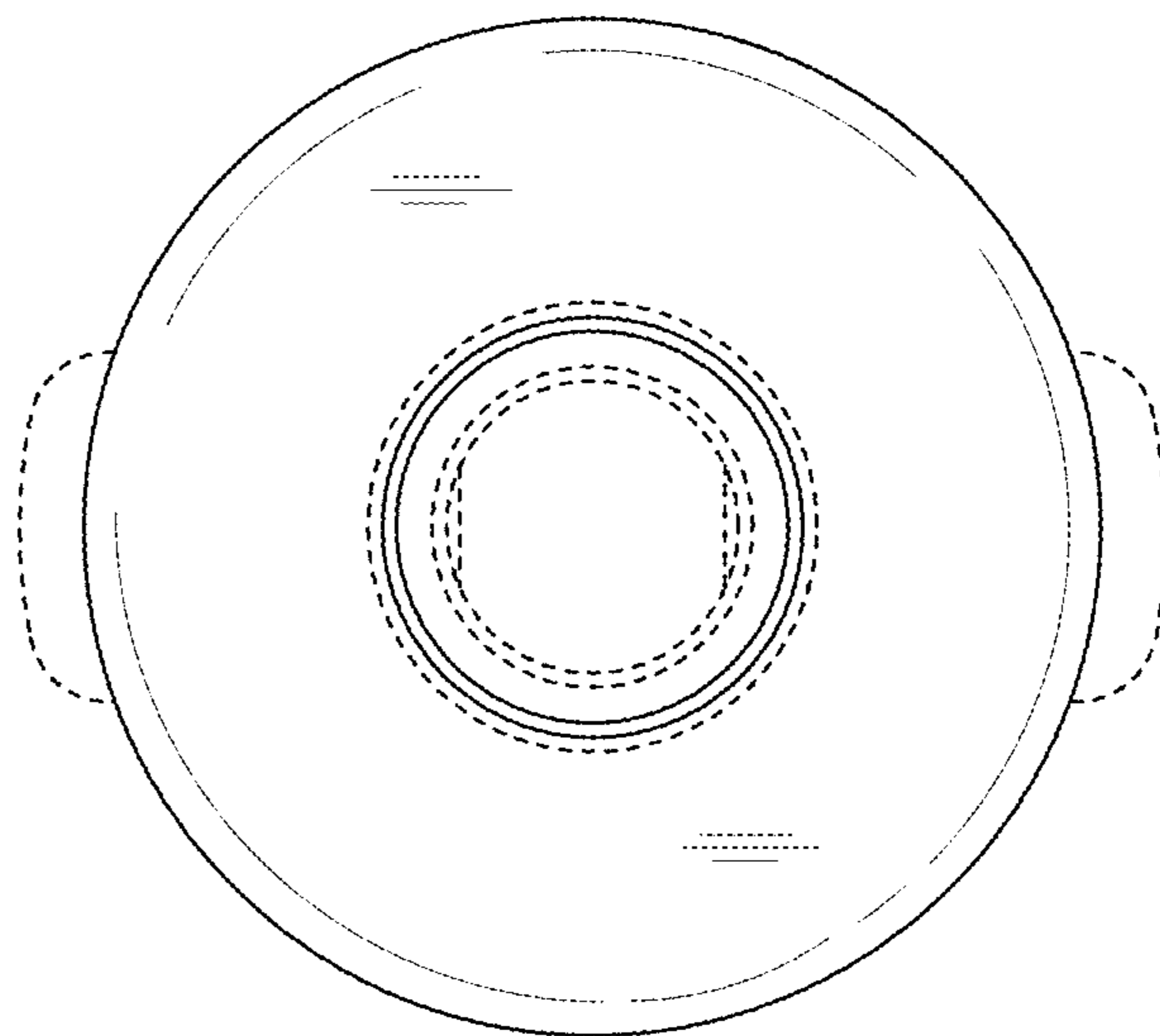


Fig. 3

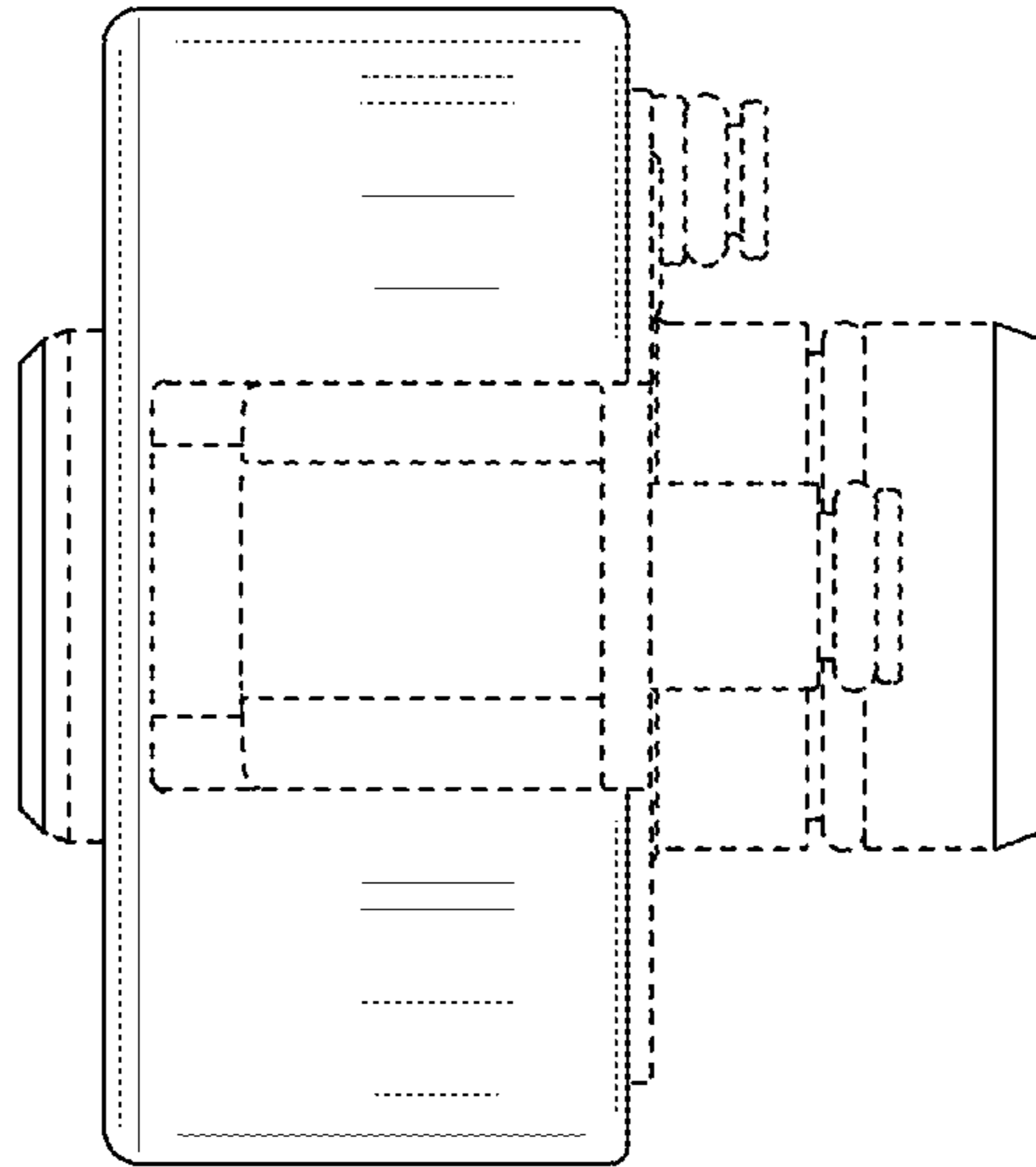


Fig. 4

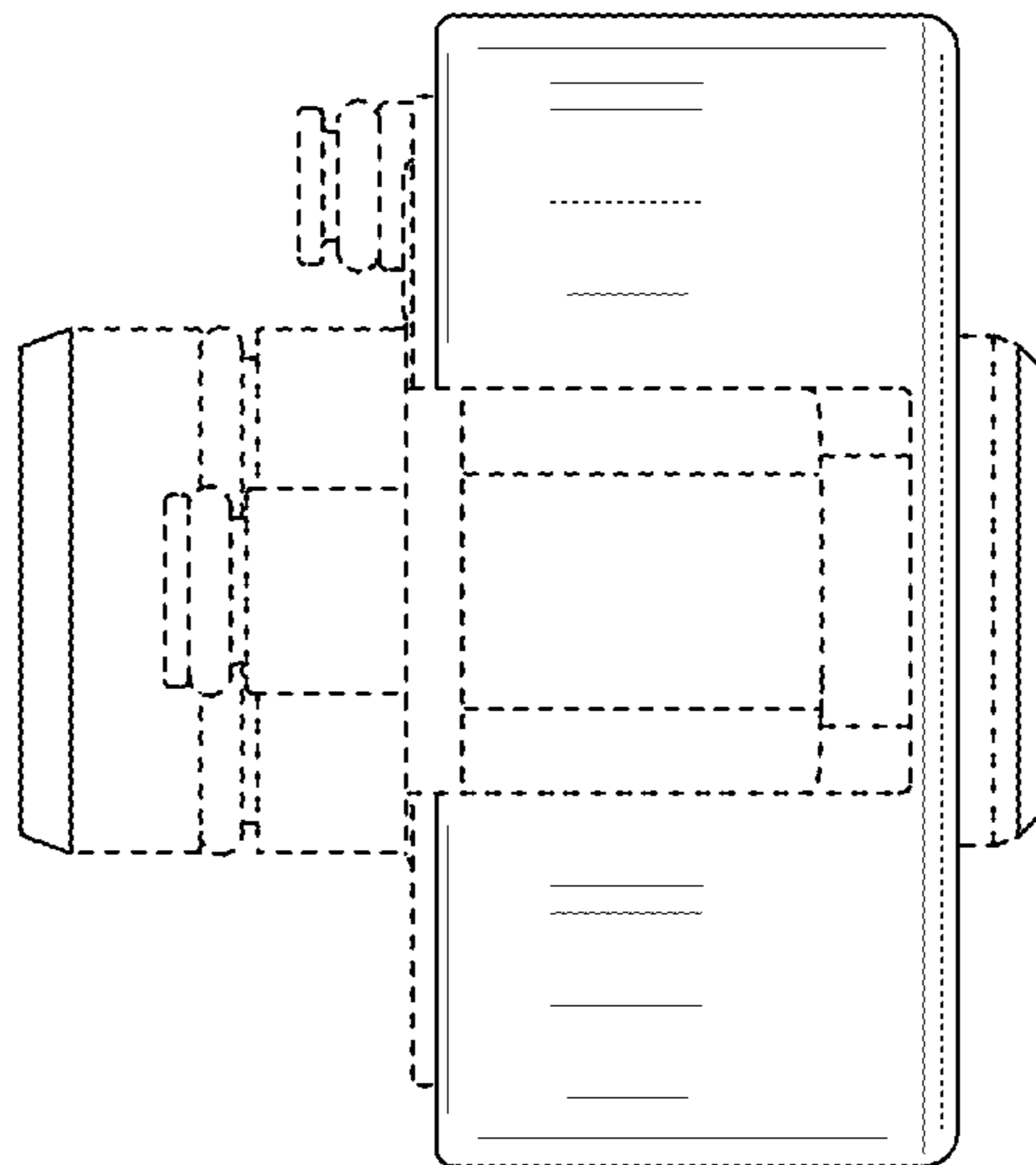


Fig. 5

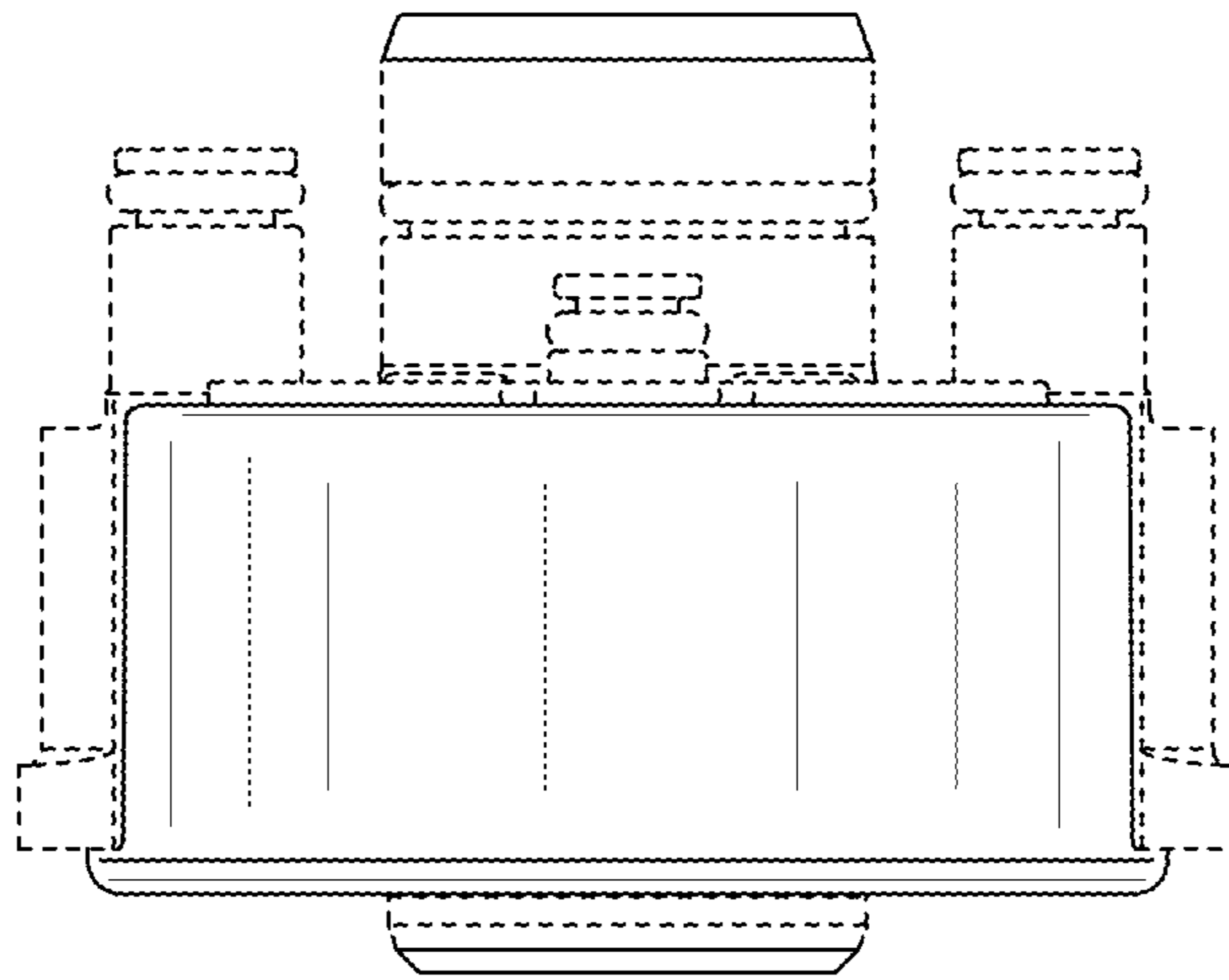


Fig. 6

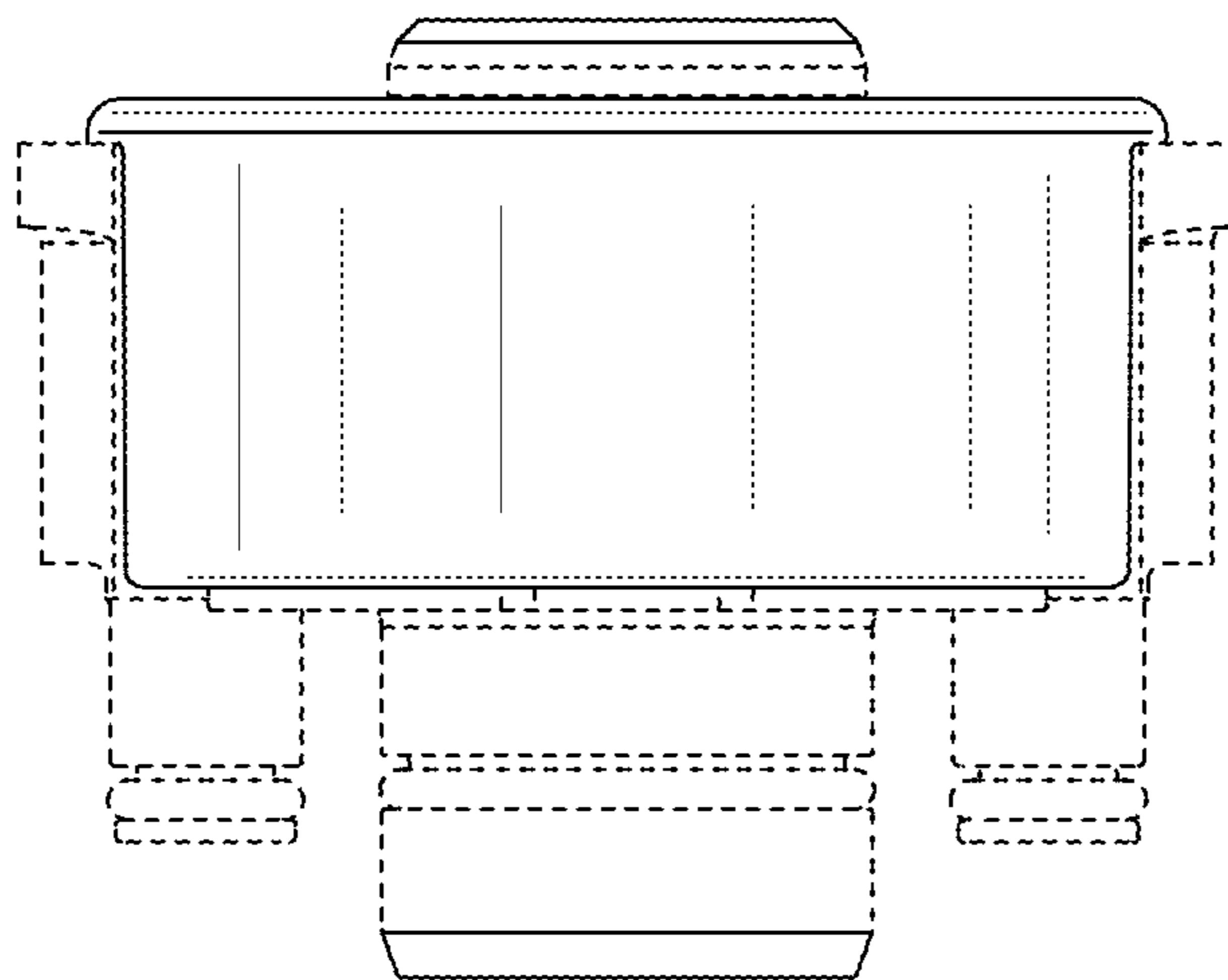


Fig. 7