



US00D972076S

(12) **United States Design Patent**  
**Zhang**

(10) **Patent No.:** **US D972,076 S**

(45) **Date of Patent:** **\*\* Dec. 6, 2022**

(54) **WATERING CAN**

(71) Applicant: **Guangdong Shenbang Industrial Co., LTD, Dongguan (CN)**

(72) Inventor: **Yonghui Zhang, Meizhou (CN)**

(73) Assignee: **Guangdong Shenbang Industrial Co., LTD, Dongguan (CN)**

(\*\*) Term: **15 Years**

(21) Appl. No.: **29/847,983**

(22) Filed: **Jul. 29, 2022**

(51) **LOC (13) Cl.** ..... **23-01**

(52) **U.S. Cl.**  
USPC ..... **D23/212**

(58) **Field of Classification Search**  
USPC ..... D23/212, 213, 214, 215, 223, 224, 226,  
D23/229, 230

CPC ..... A61H 9/0021; A61H 33/00; B05B 1/00;  
B05B 1/14; B05B 1/185; B05B 1/08;  
B05B 1/02; B05B 1/26; B05B 12/002;  
B05B 1/18; B05B 9/01

See application file for complete search history.

(56) **References Cited**

**U.S. PATENT DOCUMENTS**

D314,810 S	*	2/1991	Carlson	.....	D23/212
D318,095 S	*	7/1991	Hankammer	.....	D23/212
D320,431 S	*	10/1991	Mattei	.....	D23/212
D325,768 S	*	4/1992	Hankammer	.....	D23/212
D375,139 S	*	10/1996	Thorp	.....	D23/212
D416,978 S	*	11/1999	Haley	.....	D23/212
D425,602 S	*	5/2000	Koziol	.....	D23/212
D447,788 S	*	9/2001	Rosenberg	.....	D23/212
D459,431 S	*	6/2002	Rosenberg	.....	D23/212
D468,799 S	*	1/2003	Kortleven	.....	D23/212
D486,553 S	*	2/2004	Tremblay	.....	D23/212

D570,445 S	*	6/2008	Sellers	.....	D23/212
D591,394 S	*	4/2009	Ugone	.....	D23/212
D634,400 S	*	3/2011	Tremblay	.....	D23/212
D635,642 S	*	4/2011	Hung	.....	D23/212
D732,139 S	*	6/2015	Robledo	.....	D23/212
D797,889 S	*	9/2017	Peters	.....	D23/212
D800,248 S	*	10/2017	Hung	.....	D23/212
D915,551 S	*	4/2021	Lo	.....	D23/212
D942,585 S	*	2/2022	Yu	.....	D23/212

**OTHER PUBLICATIONS**

Novelty Mfg Co 30301 Watering Can, 2-Gallon, Green, Oct. 11, 2010, amazon.ca, Mar. 4, 2022, URL: <https://www.amazon.ca/Novelty-Mfg-30301-Watering-2-Gallon/dp/B00002R5FM/> (Year: 2010).\*  
5L/8L Watering Can, Thickened Watering Kettle with Long Mouth, May 11, 2021, amazon.ca, Mar. 4, 2022, URL: <https://www.amazon.ca/dp/B094NDSZFG/> (Year: 2022).\*

(Continued)

*Primary Examiner* — Keith J Wilson

(74) *Attorney, Agent, or Firm* — Nitin Kaushik

(57) **CLAIM**

The ornamental design for a watering can, as shown and described.

**DESCRIPTION**

FIG. 1 is a front perspective view of a watering can, showing my new design;

FIG. 2 is a bottom view thereof;

FIG. 3 is a front rear view thereof;

FIG. 4 is a left side view thereof;

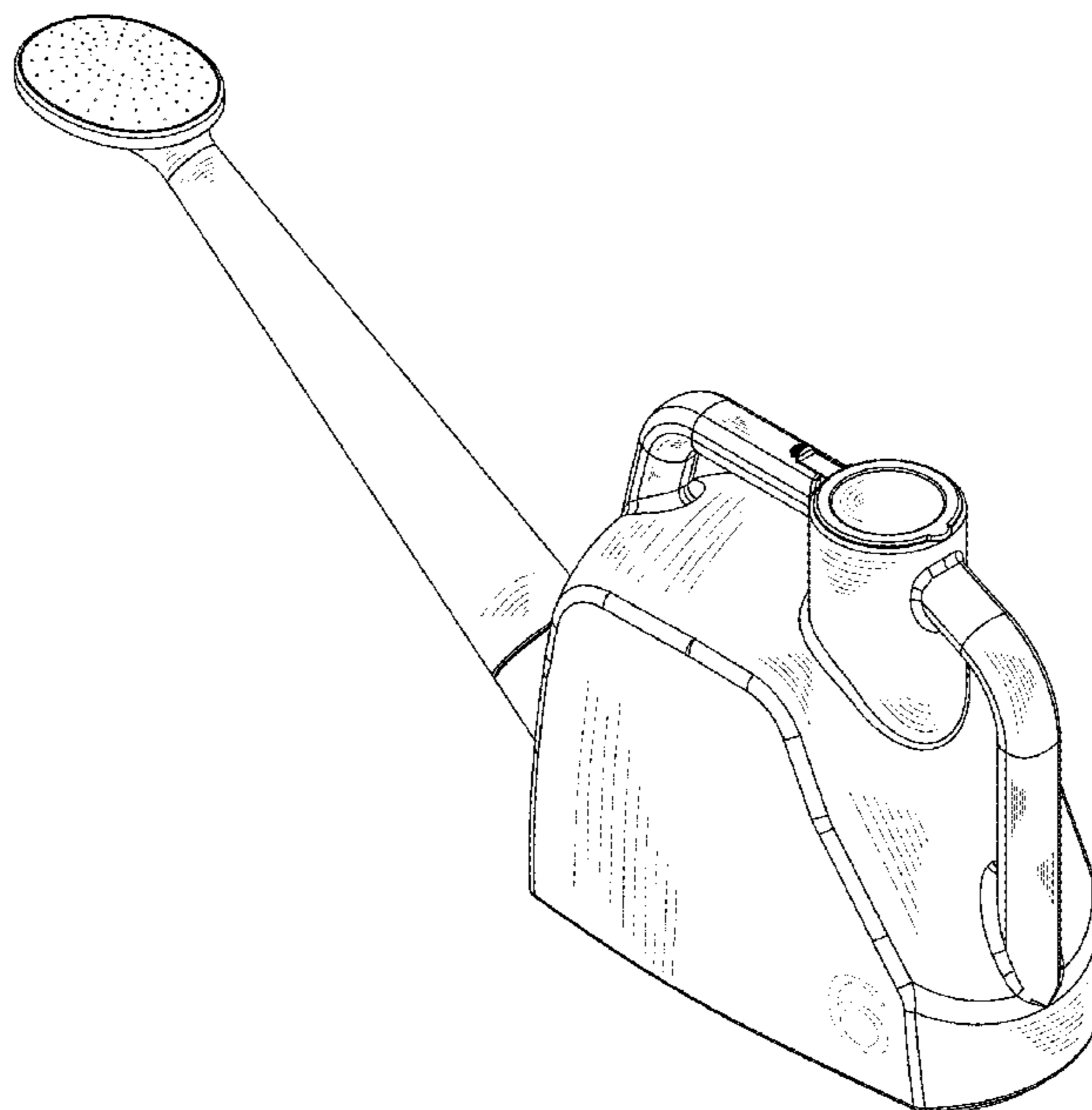
FIG. 5 is a rear view thereof;

FIG. 6 is a right side view thereof; and,

FIG. 7 is a top view thereof.

The broken lines in the drawings illustrate the portions of the watering can, which form no part of the claimed design.

**1 Claim, 7 Drawing Sheets**



(56)

**References Cited**

OTHER PUBLICATIONS

5L Watering Can, Detachable Large Capacity Watering Can with Long Mouth, May 20, 2021, amazon.ca, Mar. 4, 2022, URL: <https://www.amazon.ca/Watering-Detachable-Capacity-Vegetable-Gardening/dp/B095HNBBR7/> (Year: 2021).\*

Indoor Watering Can, 1 Gallon, Red, Nov. 2, 2015, amazon.ca, Aug. 23, 2022, URL: <https://www.amazon.ca/Indoor-Watering-Can-Gallon-Red/dp/B014LSAHBS/> (Year: 2015).\*

XXXFLOWER Watering Can Outdoor, Aug. 5, 2021, amazon.ca, Aug. 23, 2022, URL: <https://www.amazon.ca/XXXFLOWER-Watering-Lightweight-Detachable-Sprinkler/dp/B097R75F29/> (Year: 2021).\*

\* cited by examiner

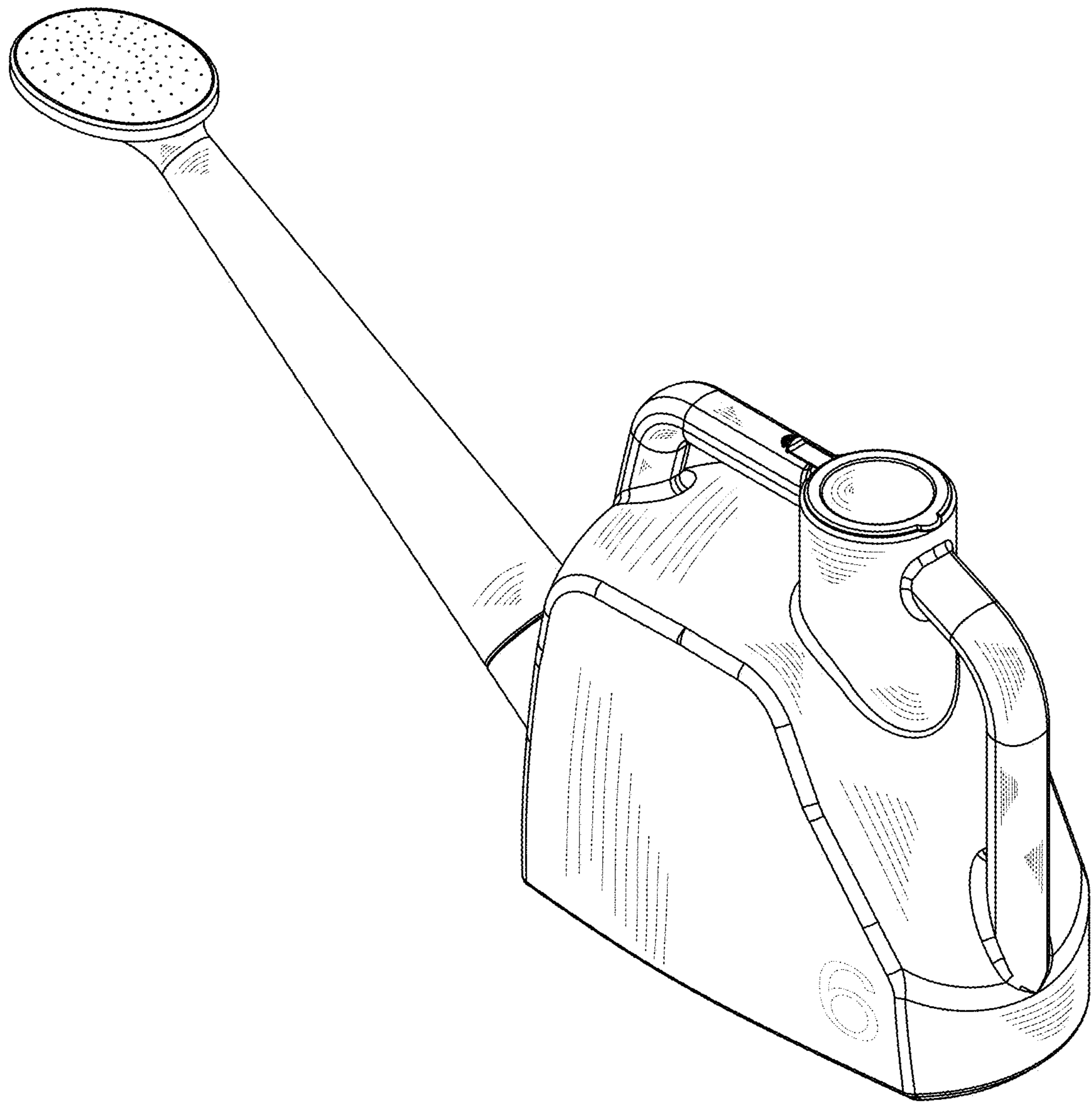


FIG. 1

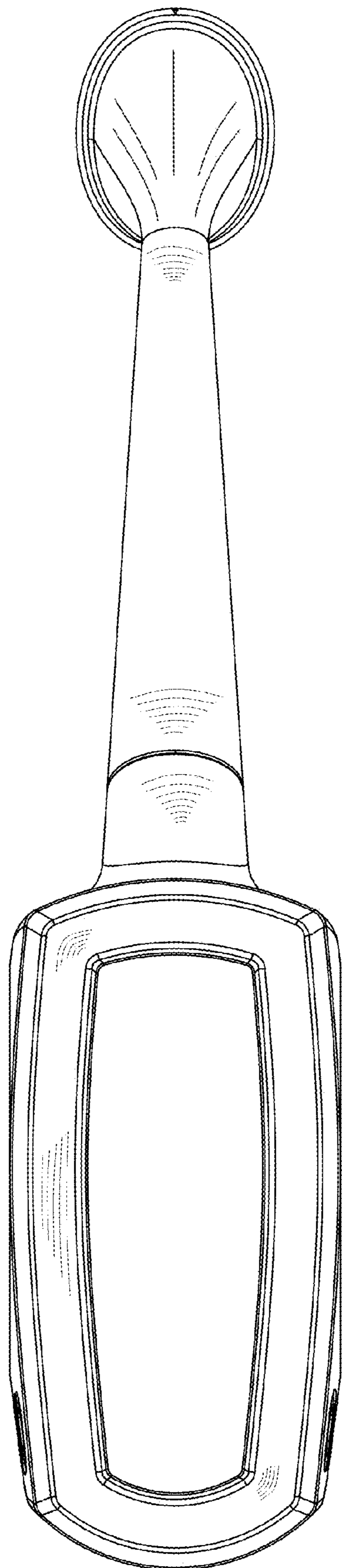


FIG.2

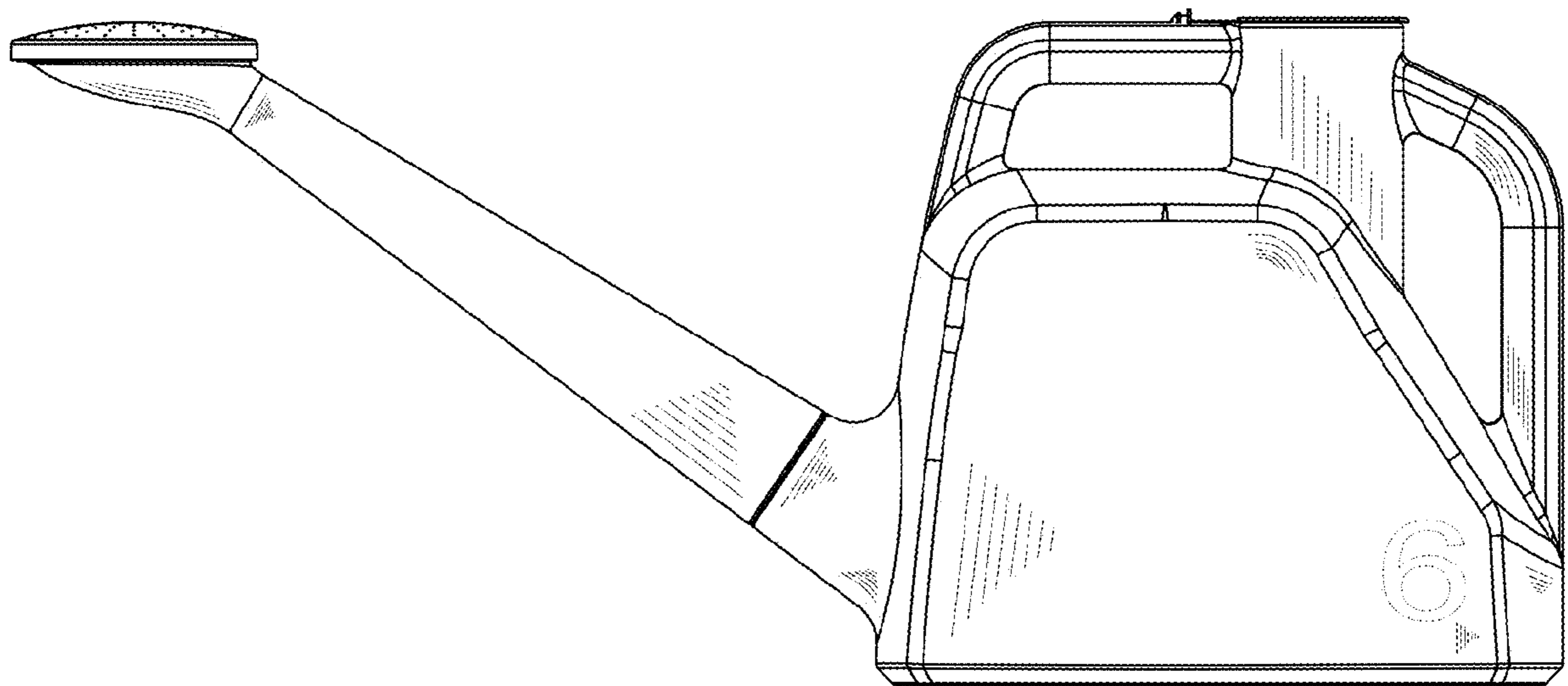


FIG. 3

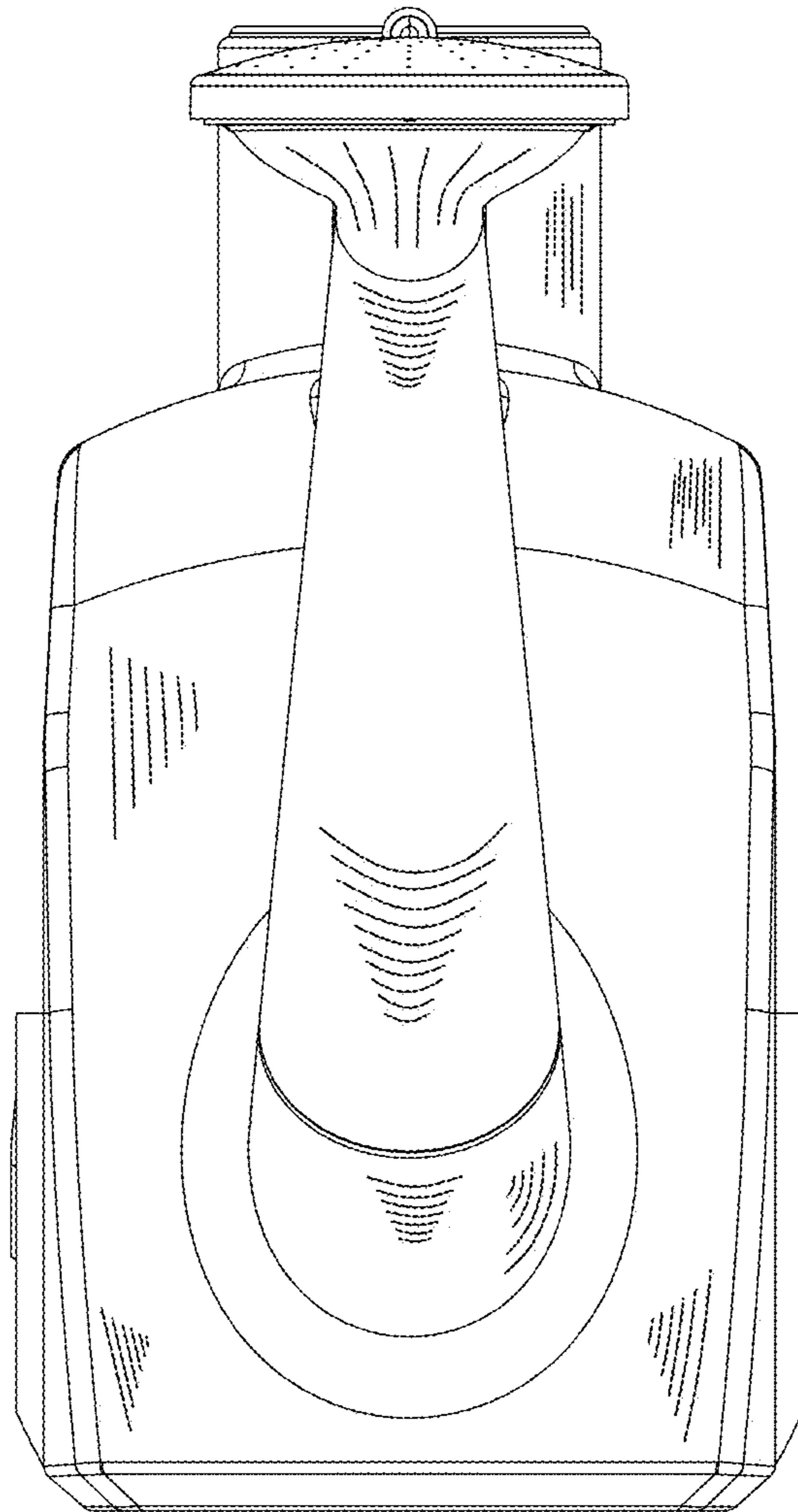


FIG. 4

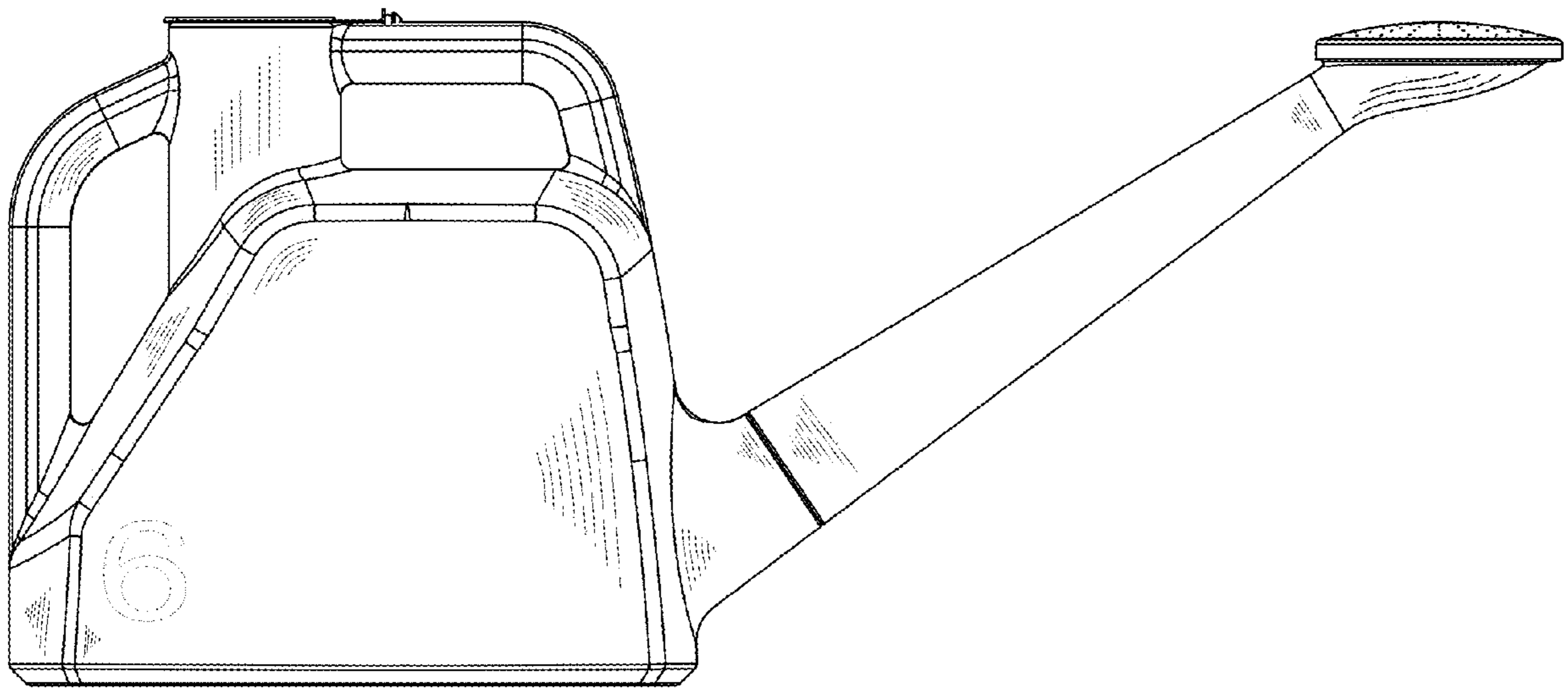


FIG.5

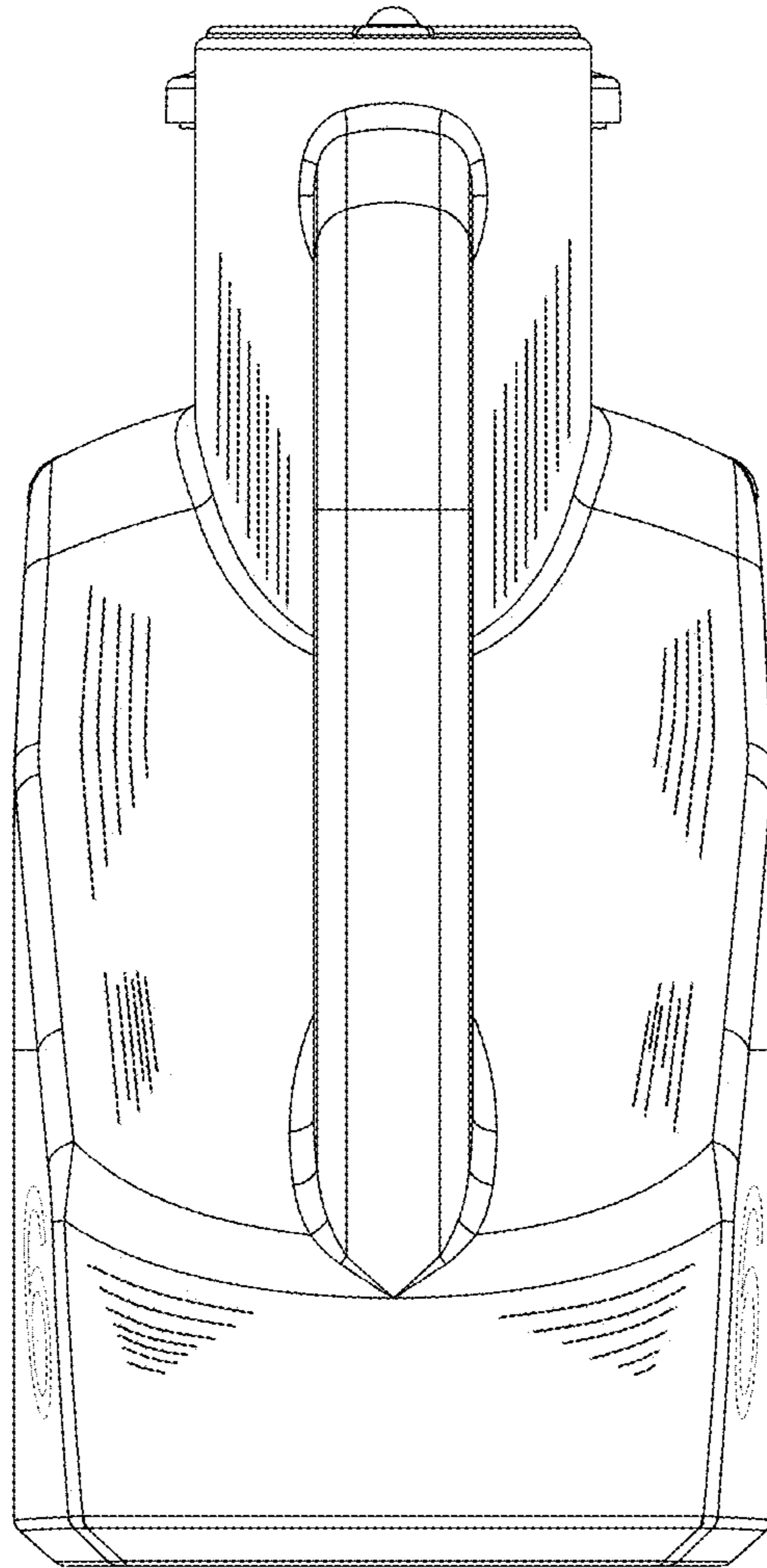


FIG. 6



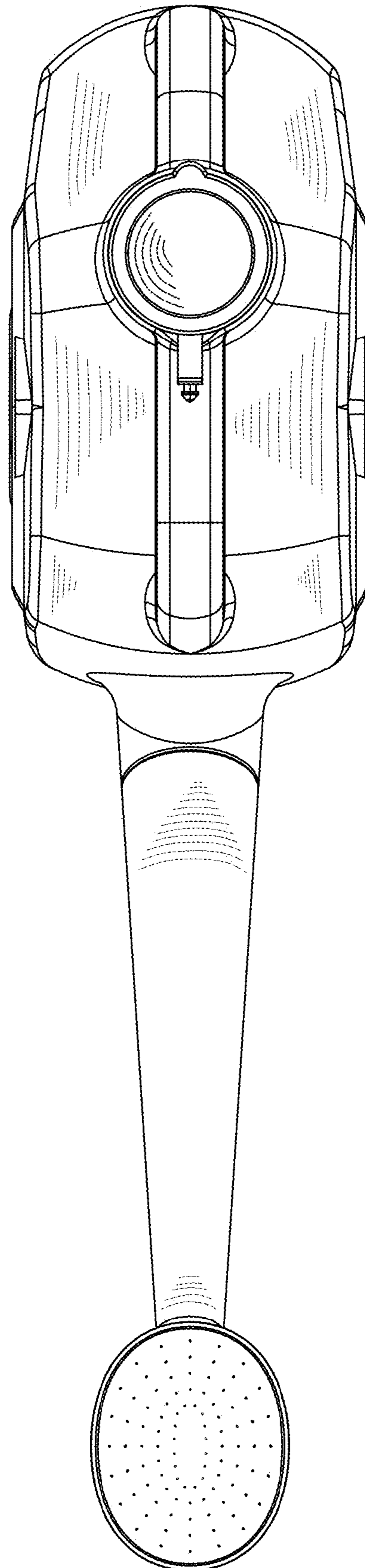


FIG. 7