



US00D972075S

(12) **United States Design Patent**
Kollmann et al.

(10) **Patent No.:** **US D972,075 S**
(45) **Date of Patent:** **** Dec. 6, 2022**

(54) **END PLATE FOR A FILTER ELEMENT**

D393,705 S * 4/1998 Dure D9/533
6,251,273 B1 6/2001 Jawurek et al.
D448,448 S * 9/2001 Hughes D23/209
(Continued)

(71) Applicant: **Mahle International GmbH**, Stuttgart
(DE)

(72) Inventors: **Andreas Kollmann**, Eitweg (AT);
Patrick Wieler, Urbach (DE)

FOREIGN PATENT DOCUMENTS

DE 3903675 A1 8/1990
DE 19707132 A1 8/1998
(Continued)

(73) Assignee: **Mahle International GmbH**

(**) Term: **15 Years**

OTHER PUBLICATIONS

(21) Appl. No.: **29/707,963**

English abstract for DE-10201200876-C5.
(Continued)

(22) Filed: **Oct. 2, 2019**

Related U.S. Application Data

(63) Continuation of application No. 29/684,498, filed on
Mar. 21, 2019.

(51) **LOC (13) Cl.** **23-01**

(52) **U.S. Cl.**
USPC **D23/209**

(58) **Field of Classification Search**
USPC D23/200, 207, 209, 260, 261, 365;
D9/435, 500, 503, 545, 746
CPC B01D 35/30; B01D 35/303; B01D 35/306;
B01D 2201/4046; B01D 27/08; B01D
46/2414; B01D 2201/162; B01D
2201/291; B01D 2201/4053; B01D
2201/4092; C02F 1/003
See application file for complete search history.

(56) **References Cited**

U.S. PATENT DOCUMENTS

4,314,832 A * 2/1982 Fox B01D 46/2414
55/482
D317,965 S * 7/1991 Svensson D23/209
D339,524 S * 9/1993 Morris, Sr. D9/454
5,300,224 A * 4/1994 Farley C02F 1/766
210/282

Primary Examiner — Calvin E Vansant

(74) *Attorney, Agent, or Firm* — Fishman Stewart PLLC

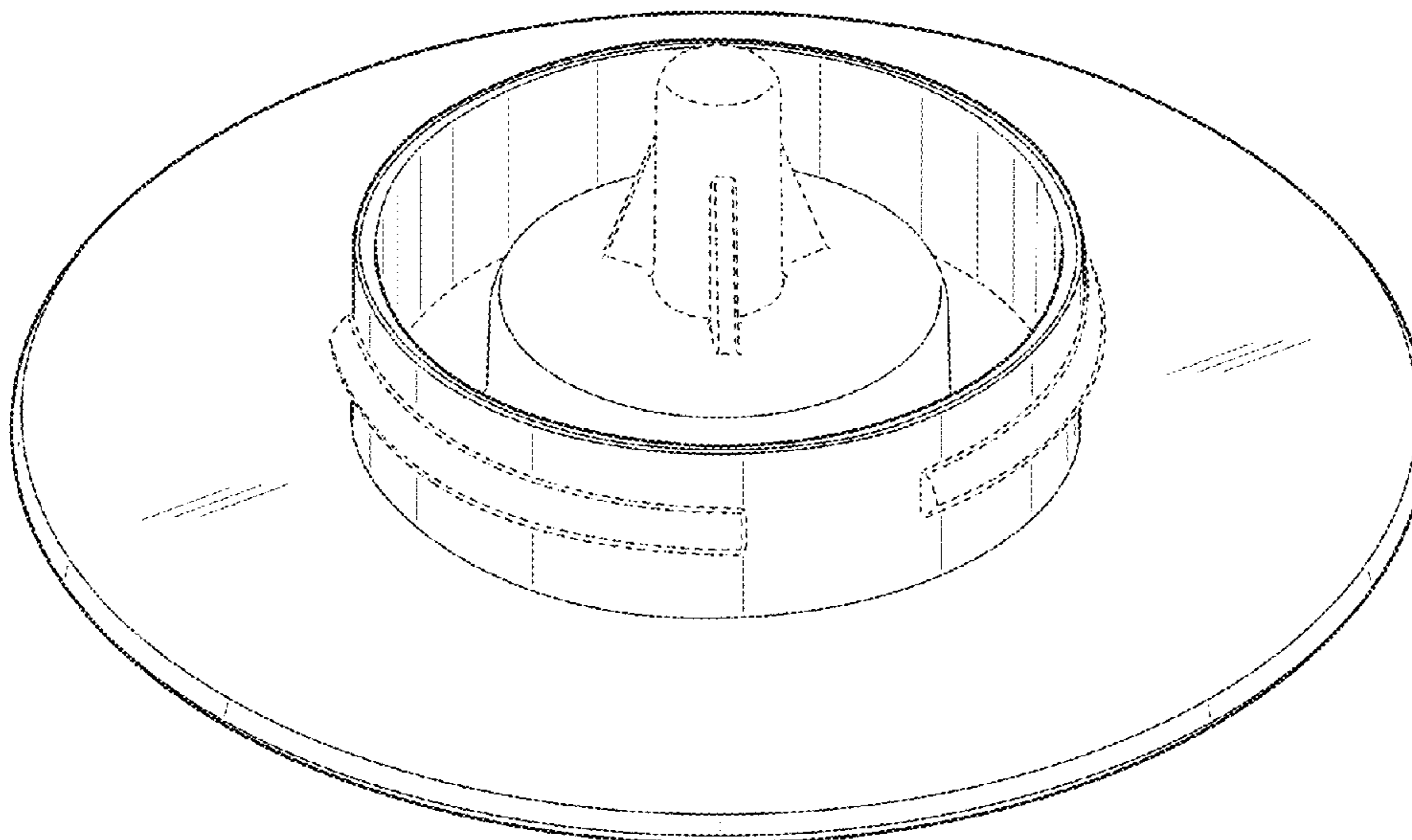
(57) **CLAIM**

The ornamental design for an end plate for a filter element,
as shown and described.

DESCRIPTION

FIG. 1 is a top perspective view an end plate for a filter element;
FIG. 2 is a bottom perspective view of an end plate for a filter element;
FIG. 3 is a front view of an end plate for a filter element;
FIG. 4 is a back view of an end plate for a filter element;
FIG. 5 is a top view of an end plate for a filter element;
FIG. 6 is a bottom view of an end plate for a filter element;
FIG. 7 is a left-side view of an end plate for a filter element;
and,
FIG. 8 is a right-side view of an end plate for a filter element.
The broken lines in the drawings depict portions of the end plate for a filter element and form no part of the claimed design.

1 Claim, 5 Drawing Sheets



(56)

References Cited

U.S. PATENT DOCUMENTS

6,543,625 B1 * 4/2003 Le Roux B01D 29/96
 210/450
 D533,916 S * 12/2006 Liao D23/209
 D569,685 S * 5/2008 Liu D7/398
 7,736,503 B2 * 6/2010 Kennedy B01D 65/104
 210/240
 D642,658 S * 8/2011 Cumberland D23/209
 8,333,890 B2 * 12/2012 Wells B01D 36/006
 210/450
 D774,887 S * 12/2016 Torrison D9/416
 D779,045 S * 2/2017 Johansen B01D 65/104
 D23/261
 D782,000 S * 3/2017 Morris D23/209
 D787,871 S * 5/2017 Roso A47J 31/3695
 D6/710
 D790,087 S * 6/2017 Tyson D26/22
 D793,523 S * 8/2017 Adey B01D 21/267
 D23/209
 D793,525 S * 8/2017 Morris D23/209
 D806,834 S * 1/2018 Schweitzer D23/260
 D848,213 S * 5/2019 Cedergren C02F 1/766
 D7/397
 D882,038 S * 4/2020 Loepfe D23/209
 D897,492 S * 9/2020 Pitman D23/209
 D935,004 S * 11/2021 Palermo B01D 46/2414
 D23/259
 2005/0000876 A1 * 1/2005 Knight B01D 29/96
 210/450
 2006/0124528 A1 * 6/2006 Lane B01D 46/2414
 210/295

2007/0175335 A1 * 8/2007 Liverani A47J 31/3695
 99/279
 2013/0206669 A1 * 8/2013 Baker B29C 48/255
 210/232
 2014/0263099 A1 * 9/2014 Patera B01D 35/147
 210/232
 2015/0033688 A1 * 2/2015 Wagner B01D 29/13
 55/502
 2015/0343340 A1 * 12/2015 Gohl B01D 29/21
 210/497.01
 2016/0059174 A1 * 3/2016 Hasenfratz F02M 35/0203
 55/482
 2017/0203242 A1 * 7/2017 Weindorf B01D 36/003
 2017/0203243 A1 * 7/2017 Weindorf B01D 36/003

FOREIGN PATENT DOCUMENTS

DE 19904981 A1 8/2000
 DE 102008011616 A1 9/2008
 DE 102009024699 A1 12/2010
 DE 102012000876 C5 10/2014
 WO 0110533 A1 2/2001
 WO 2005123216 A1 12/2005

OTHER PUBLICATIONS

English abstract for DE3903675A1.
 English abstract for DE102009024699A1.
 English abstract for DE19904981A1.
 English abstract for DE102008011616A1.

* cited by examiner

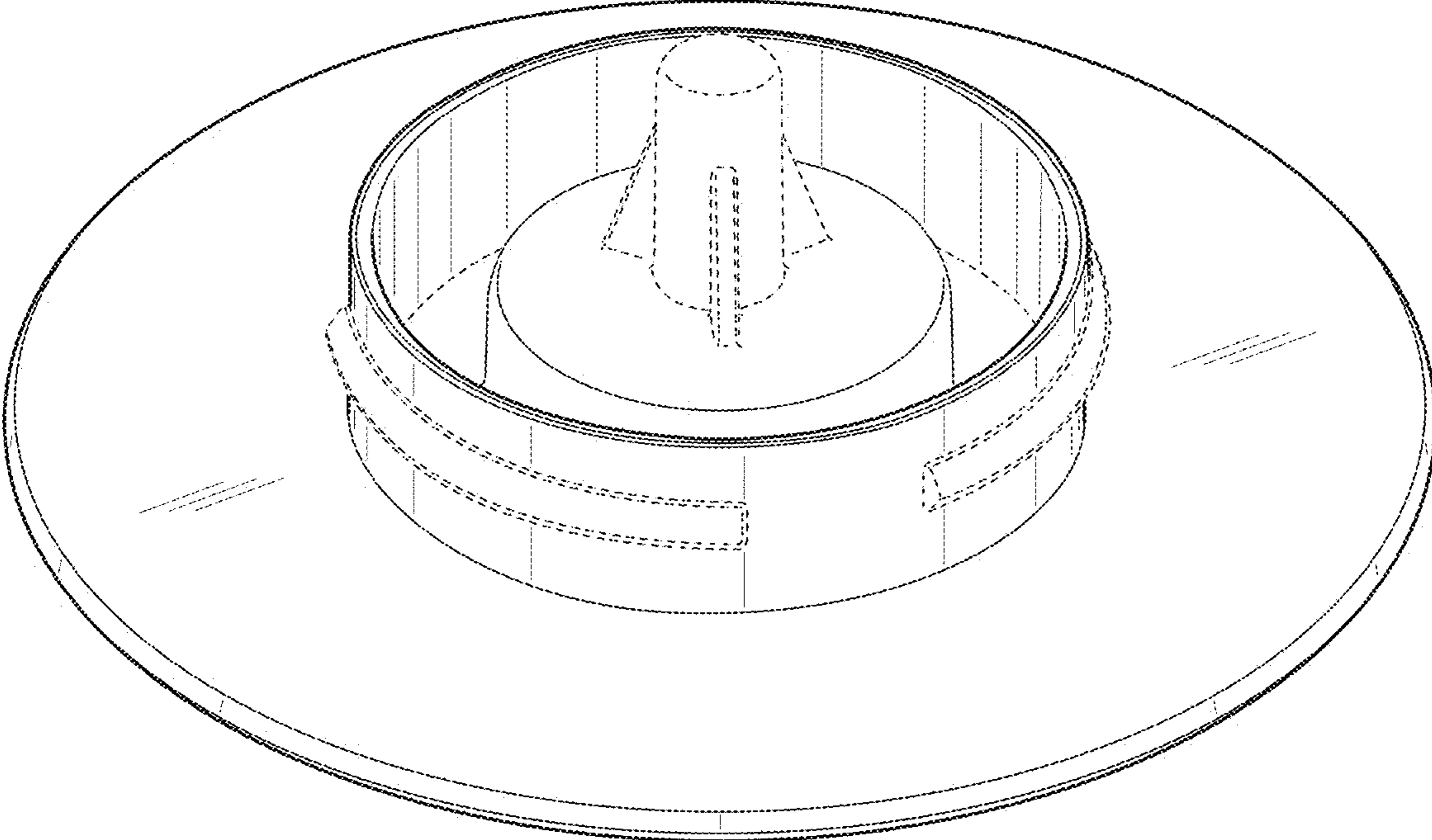


FIG. 1

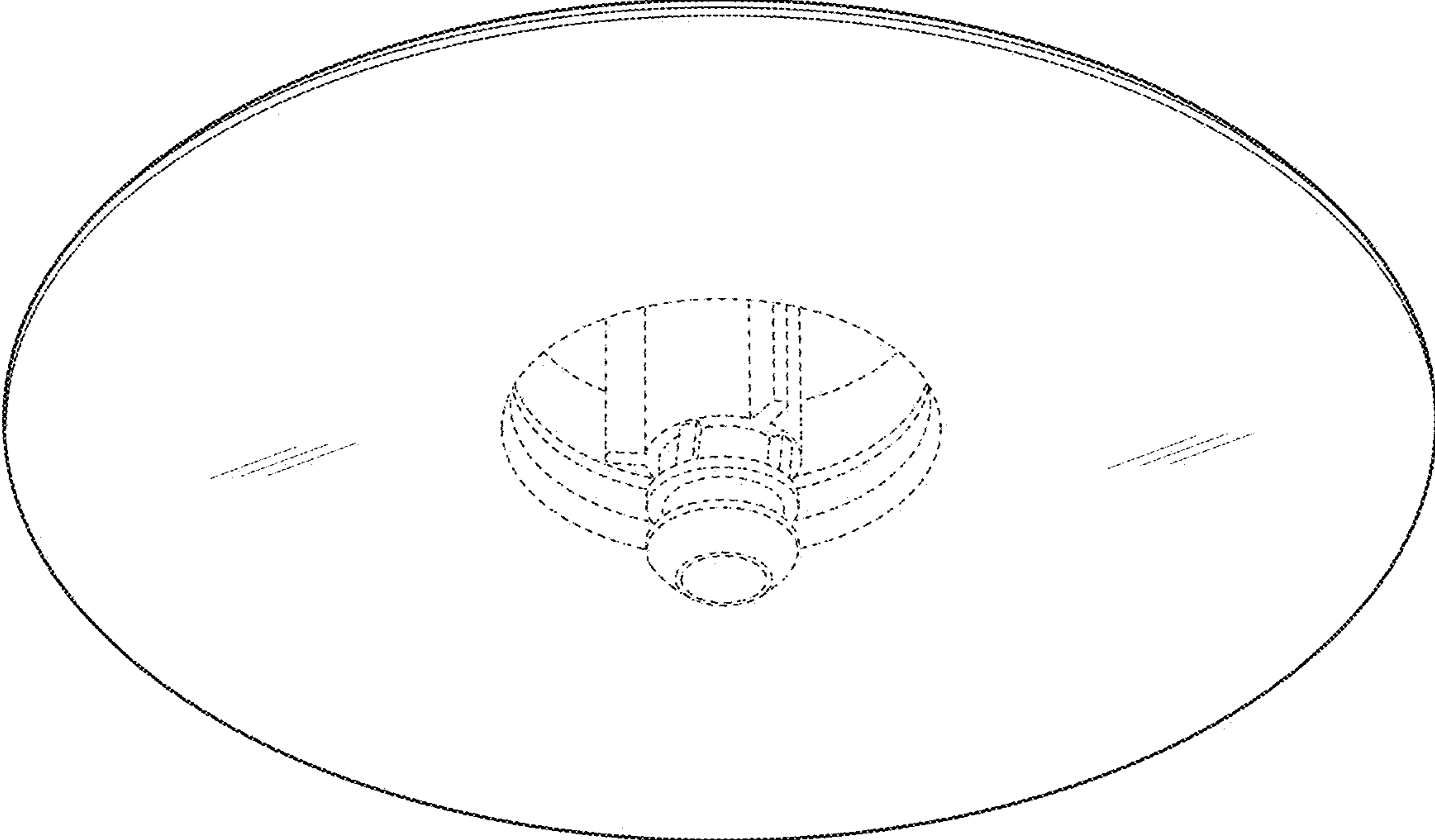


FIG. 2

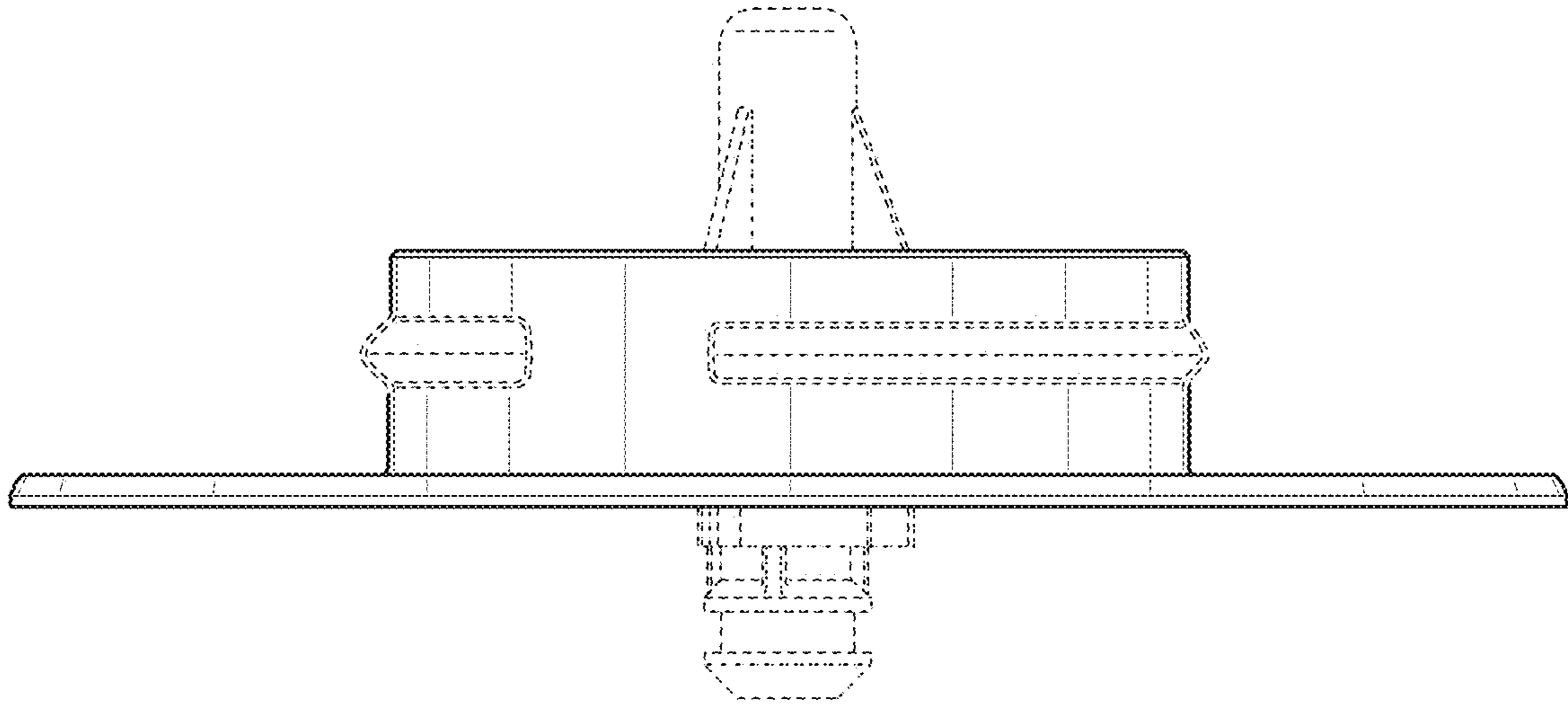


FIG. 3

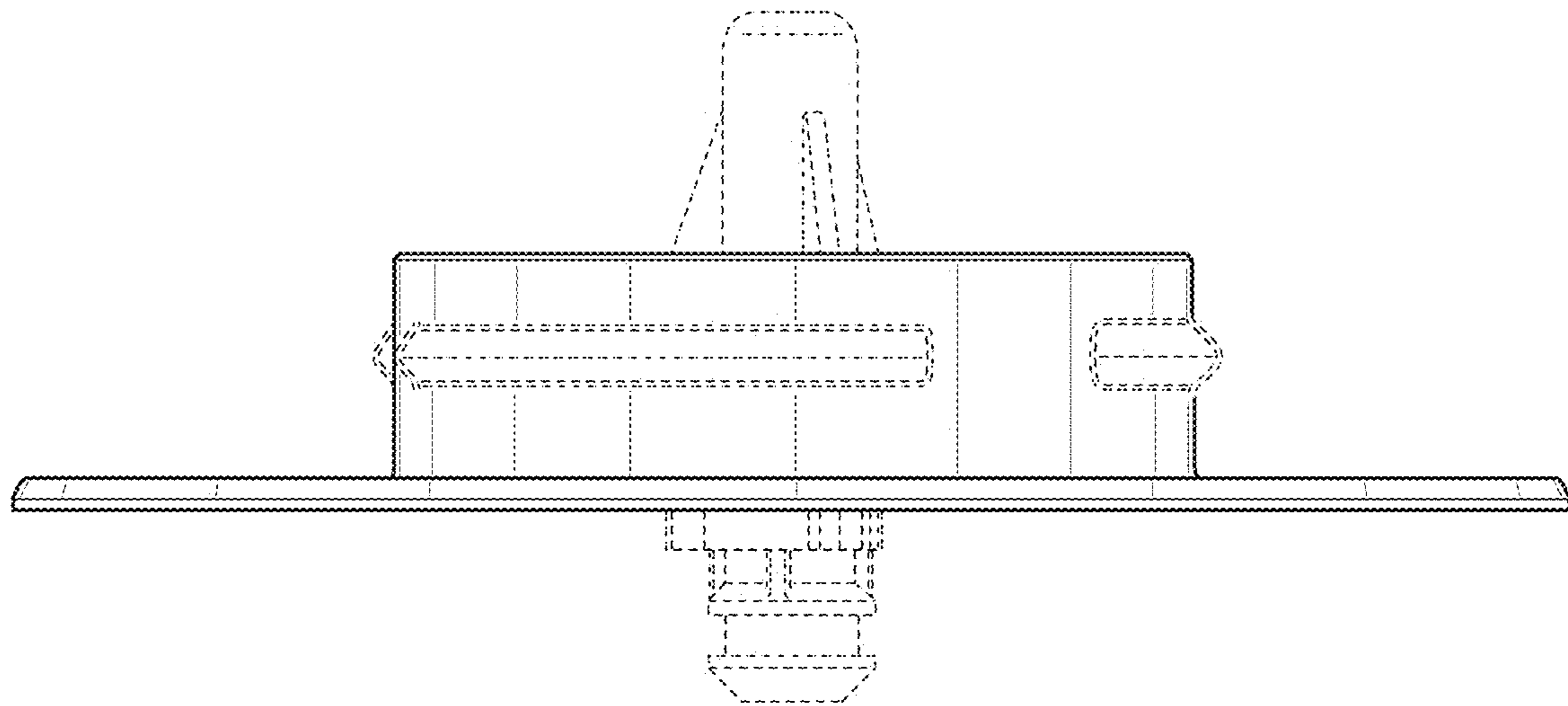


FIG. 4

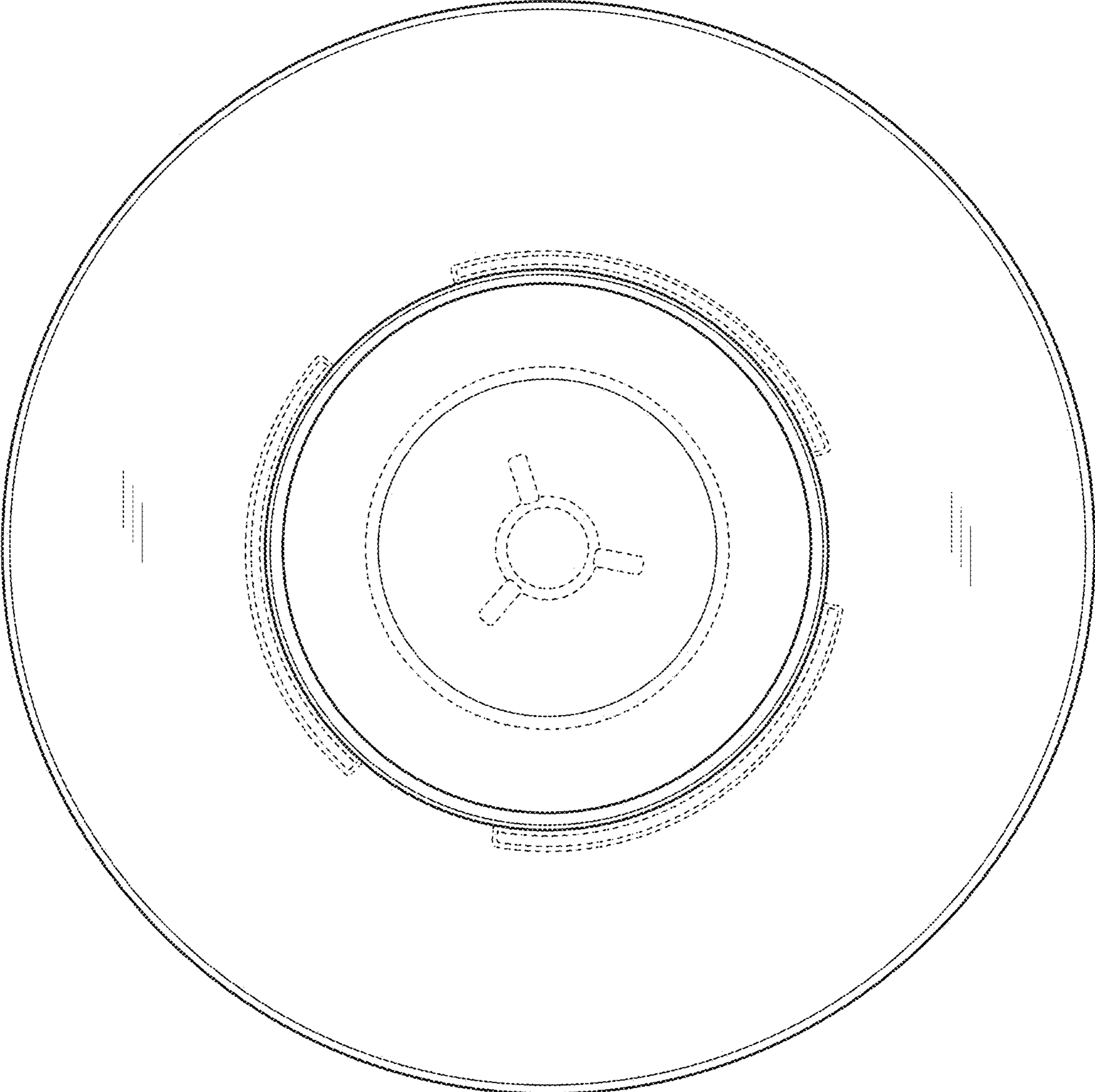


FIG. 5

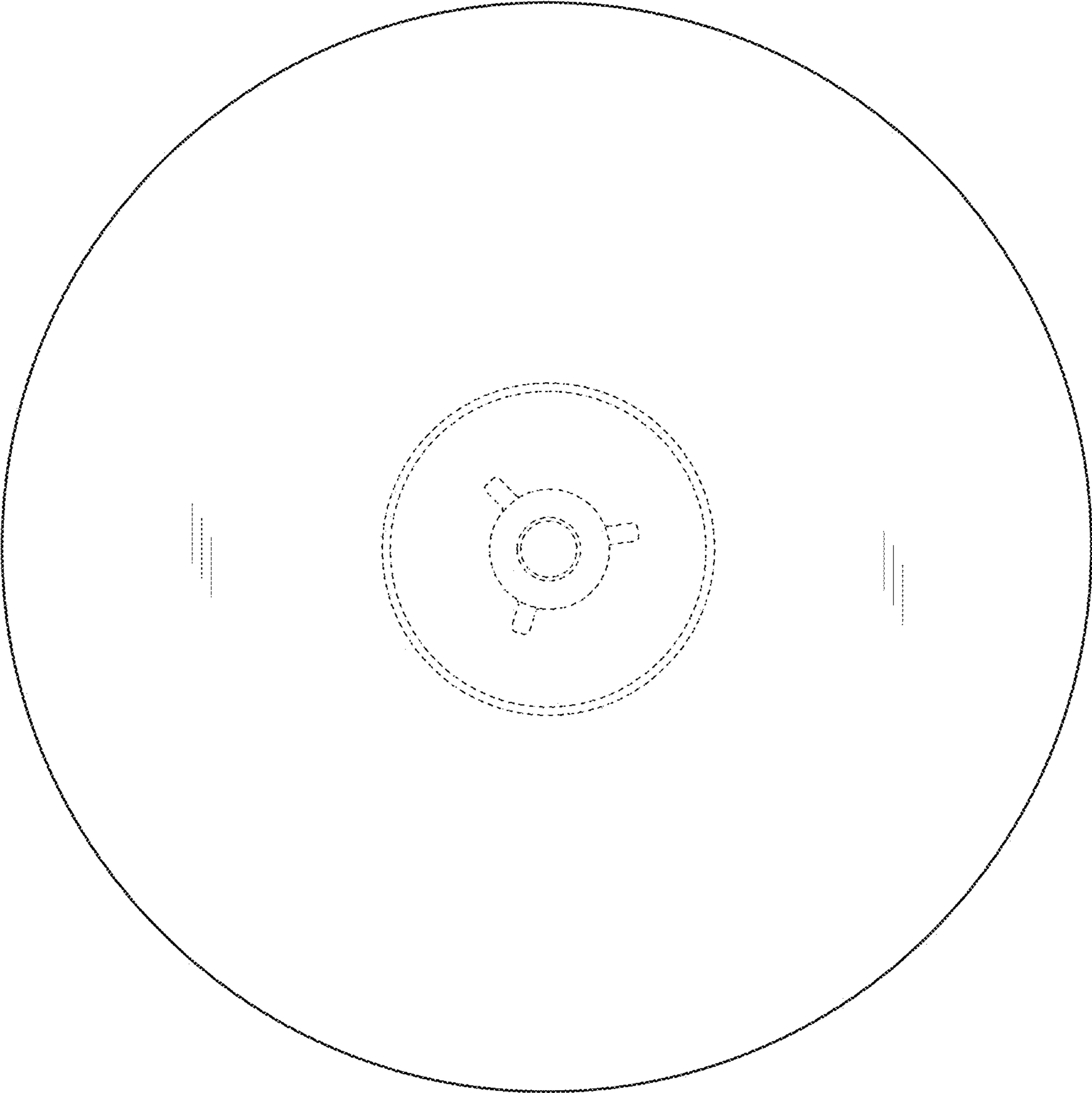


FIG. 6

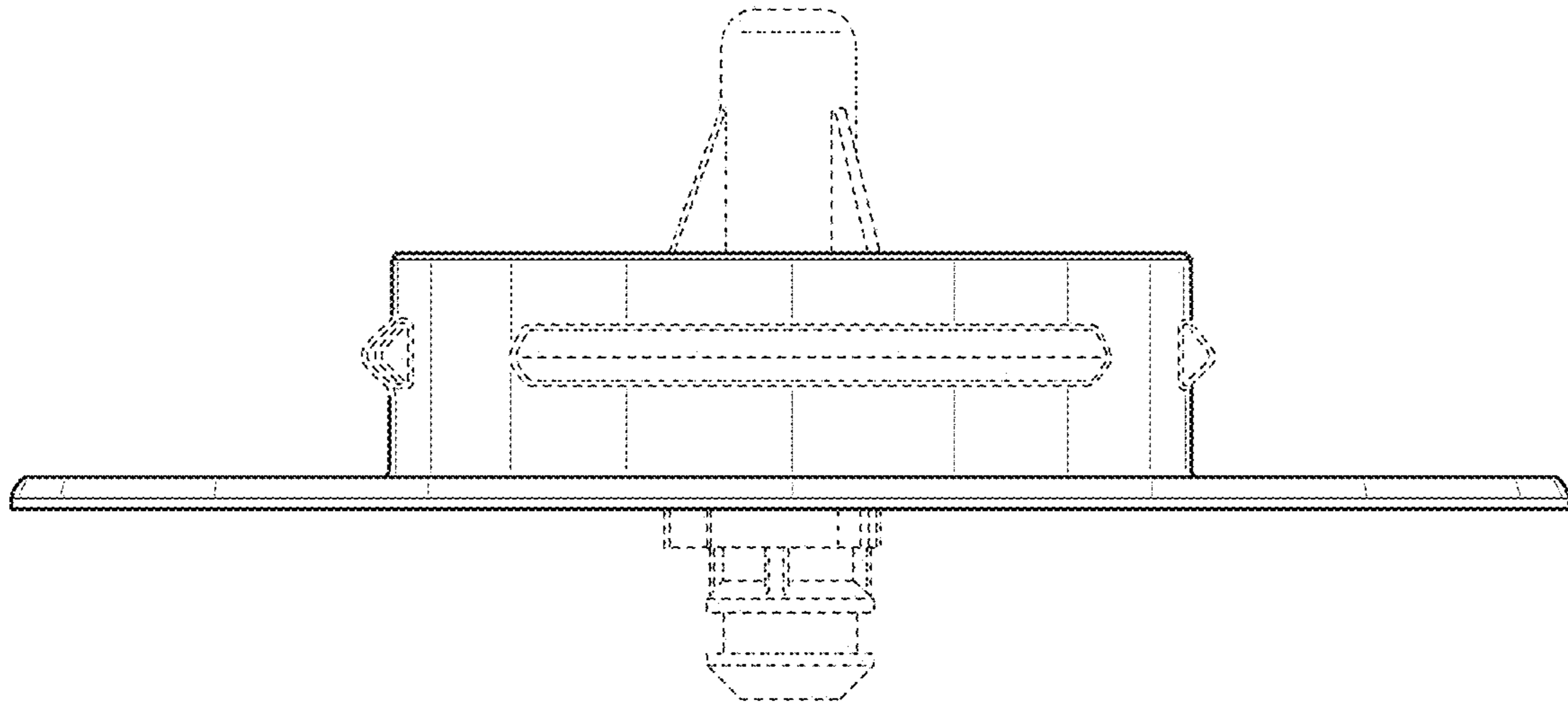


FIG. 7

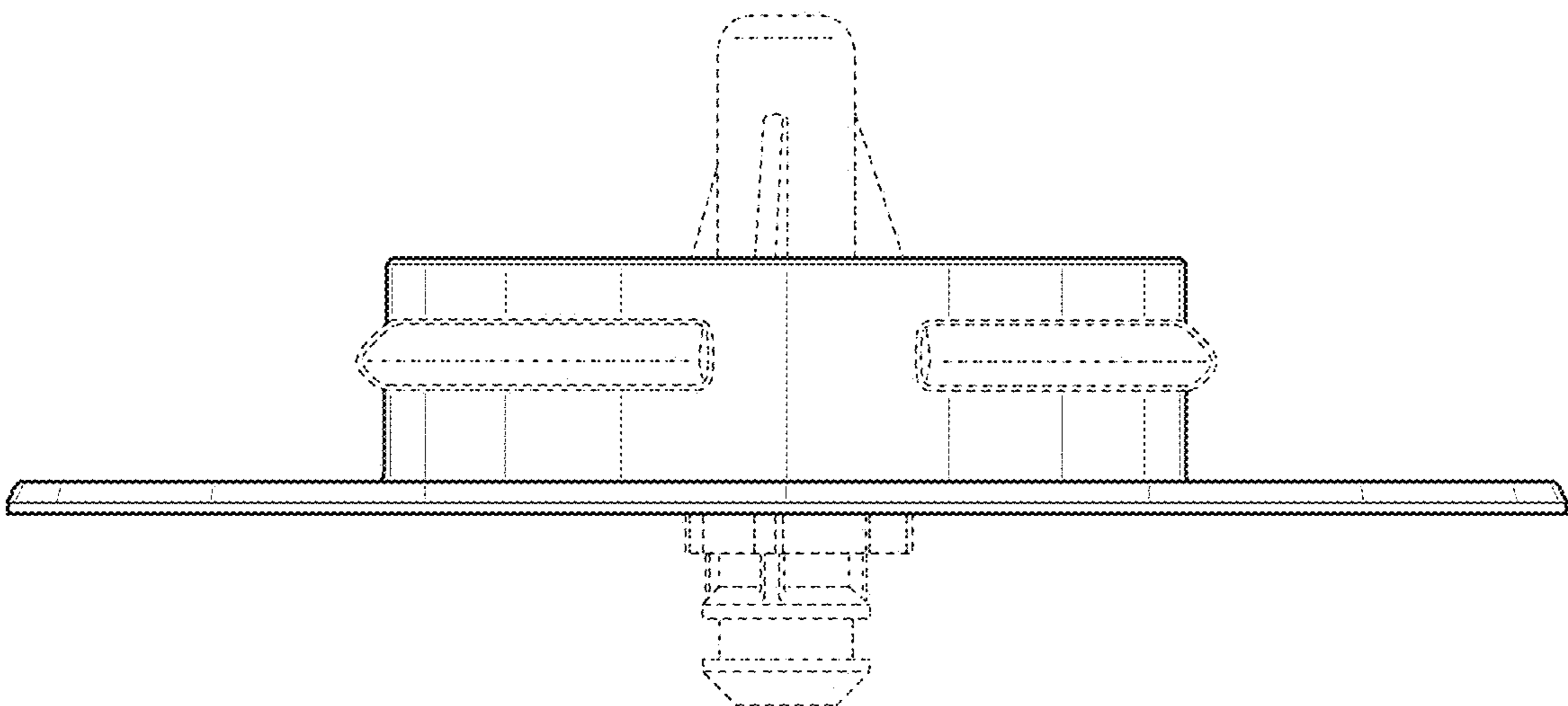


FIG. 8