



US00D972071S

(12) **United States Design Patent**  
**Yang**

(10) **Patent No.:** **US D972,071 S**

(45) **Date of Patent:** **\*\* Dec. 6, 2022**

(54) **LED ULTRAVIOLET DISINFECTION LAMP**

D929,962 S \* 9/2021 Yi ..... D14/217  
D935,587 S \* 11/2021 Wu ..... D23/364  
D948,480 S \* 4/2022 Yang ..... D14/218

(71) Applicant: **Zhongyi Yang**, Guangdong (CN)

(72) Inventor: **Zhongyi Yang**, Guangdong (CN)

(73) Assignee: **Shenzhen yikanghai plastic products co. LTD**, Guangdong (CN)

FOREIGN PATENT DOCUMENTS

CN 306497321 \* 12/2020

(\*\*) Term: **15 Years**

(21) Appl. No.: **29/734,162**

(22) Filed: **May 9, 2020**

(51) **LOC (13) Cl.** ..... **23-01**

(52) **U.S. Cl.**  
USPC ..... **D23/208**

(58) **Field of Classification Search**  
USPC ..... D23/203–209, 217, 317, 324–325,  
D23/332–337, 341–342, 354–366, 389,  
D23/417–417; D14/174, 217–218  
CPC ..... A61L 9/02; A61L 9/03; A61L 9/12; A61L  
9/035; A61L 9/125; B03C 3/38; A61N  
5/1007

See application file for complete search history.

OTHER PUBLICATIONS

Purple Germ sanitizer Sep. 24, 2020 found on Aug. 4, 2022 at:  
<https://www.amazon.com/PURPLE-GERM-Sterilizer-Germicidal-Disinfection/dp/B08JTN3JPY> (Year: 2020).\*  
Smars sterilizer Aug. 16, 2020 found on Aug. 4, 2022 at: <https://www.amazon.in/Intelligent-Ultraviolet-Sterilizer-Disinfection-Bactericidal/dp/B08D3XRTVP> (Year: 2020).\*

\* cited by examiner

*Primary Examiner* — Karen S Acker  
*Assistant Examiner* — Jonathan E Fiencke

(57) **CLAIM**

The ornamental design for a LED ultraviolet disinfection lamp, as shown and described.

**DESCRIPTION**

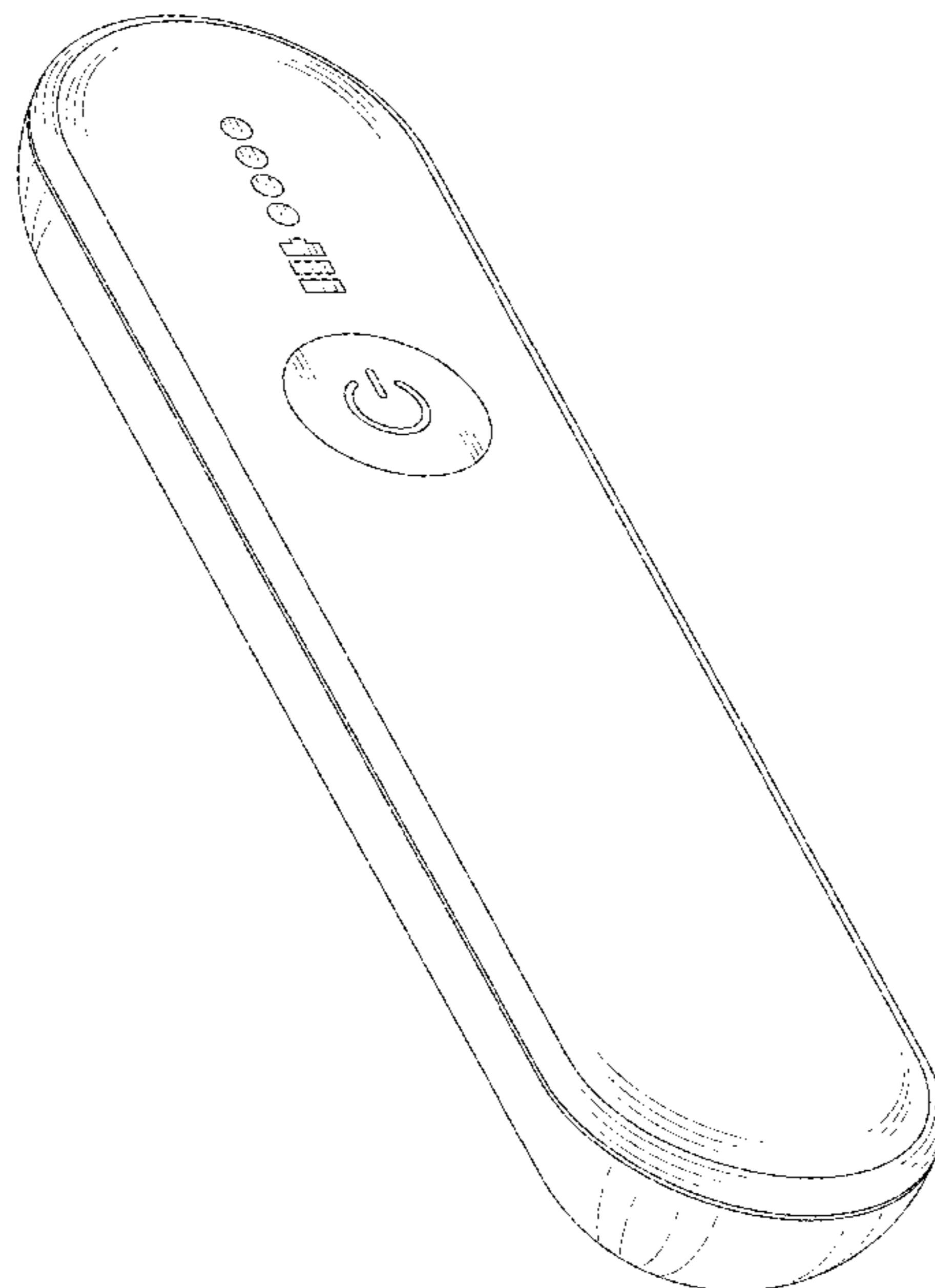
FIG. 1 is a perspective view of a LED ultraviolet disinfection lamp showing my new design;  
FIG. 2 is a front elevational view thereof;  
FIG. 3 is a rear elevational view thereof;  
FIG. 4 is a left side elevational view thereof;  
FIG. 5 is a right side elevational view thereof;  
FIG. 6 is a top plan view thereof;  
FIG. 7 is a bottom plan view thereof; and,  
FIG. 8 is a rear side perspective view thereof.  
The broken lines in the drawings depict portions of the LED ultraviolet disinfection lamp that form no part of the claimed design.

(56) **References Cited**

U.S. PATENT DOCUMENTS

D512,494 S \* 12/2005 Haranaka ..... D23/355  
D656,230 S \* 3/2012 Robinson ..... D23/363  
D664,636 S \* 7/2012 Robinson ..... D23/360  
D689,999 S \* 9/2013 Viala ..... D23/366  
D705,918 S \* 5/2014 Robinson ..... D23/360  
D737,419 S \* 8/2015 Emarlou ..... D23/360  
D742,492 S \* 11/2015 Robinson ..... D23/360  
D763,830 S \* 8/2016 Jones ..... D14/218  
D794,766 S \* 8/2017 Patton ..... D6/309  
D818,101 S \* 5/2018 Patton ..... D23/366  
D908,199 S \* 1/2021 Vandenbelt ..... D23/366  
D913,472 S \* 3/2021 Malek-Ahmadi ..... D23/366

**1 Claim, 8 Drawing Sheets**



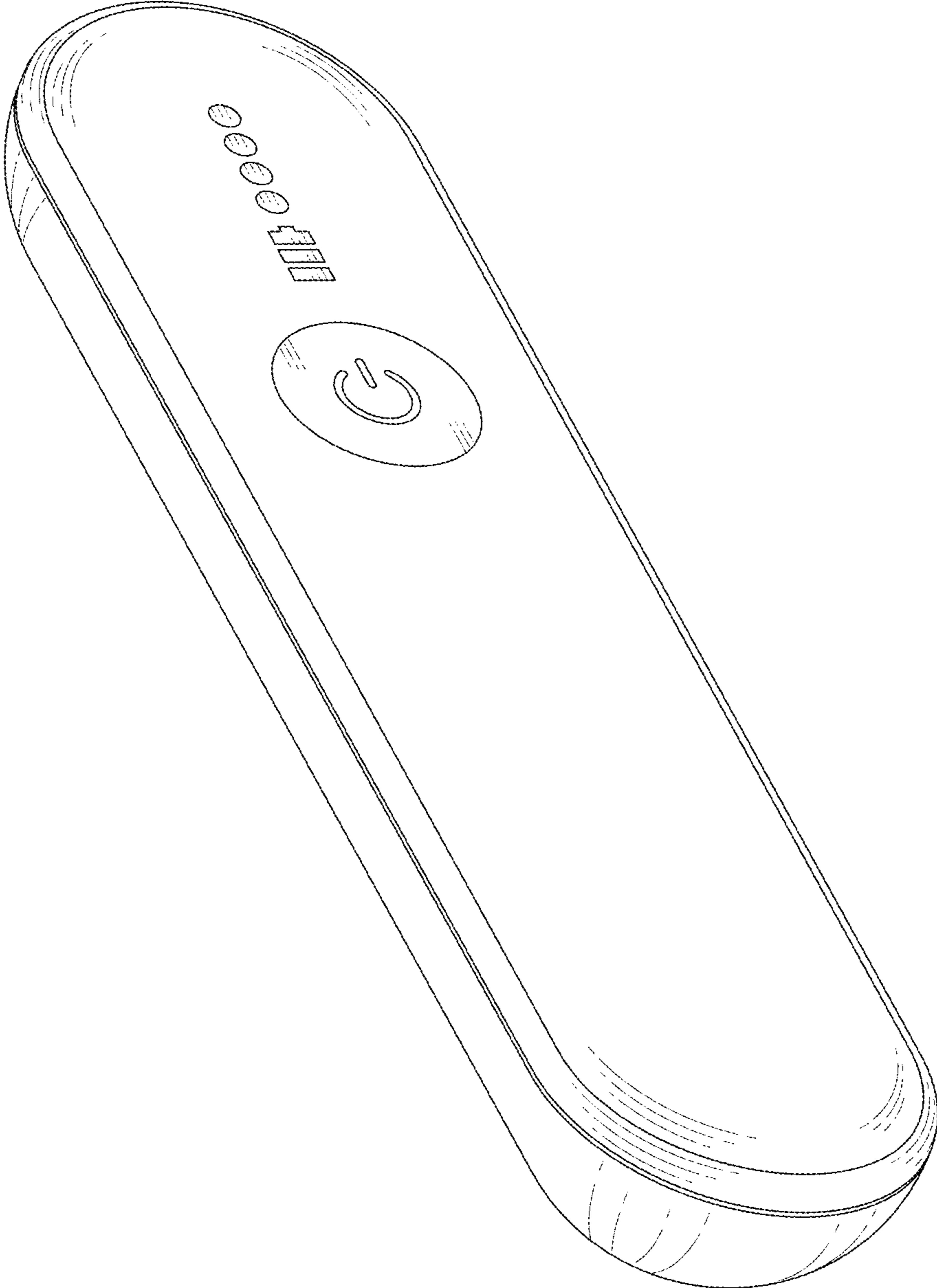


FIG. 1

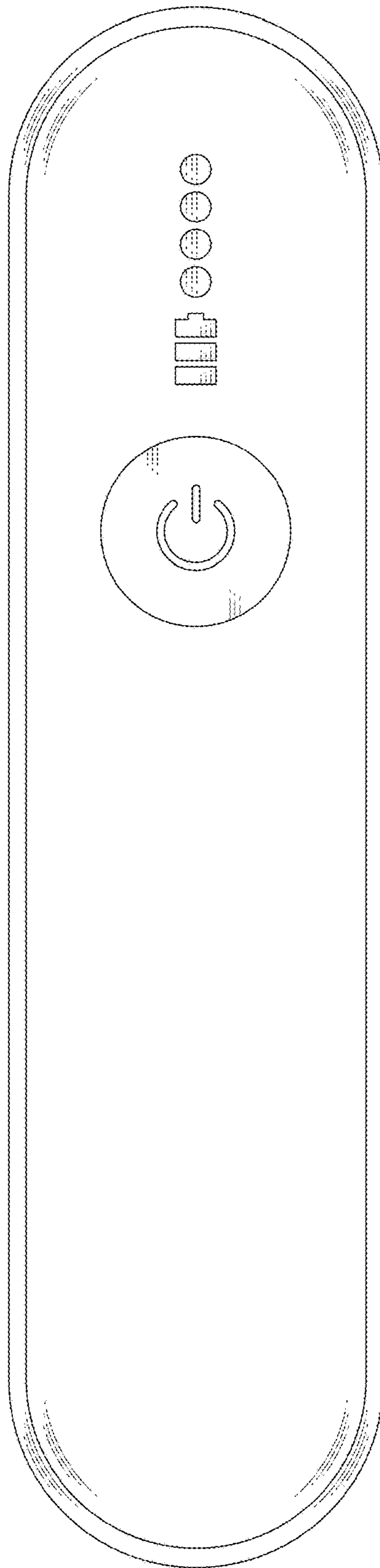


FIG. 2

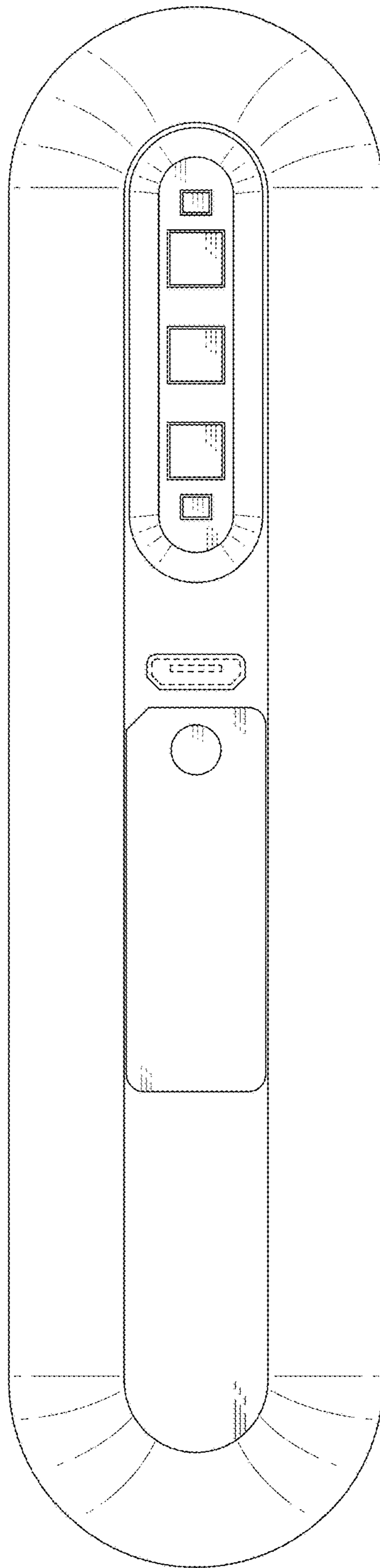


FIG.3

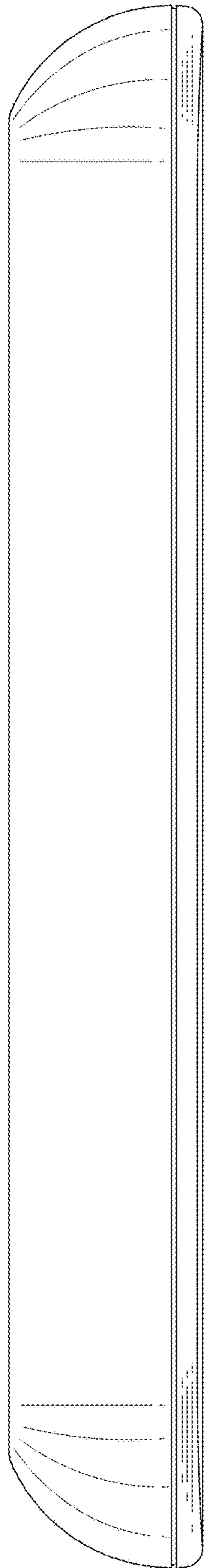


FIG. 4

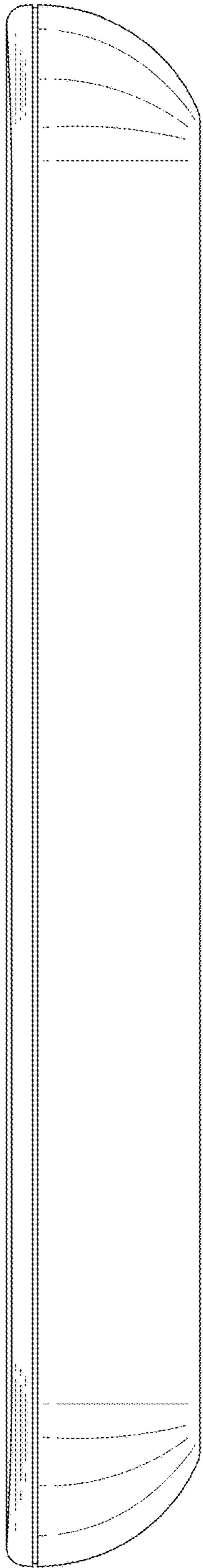


FIG.5

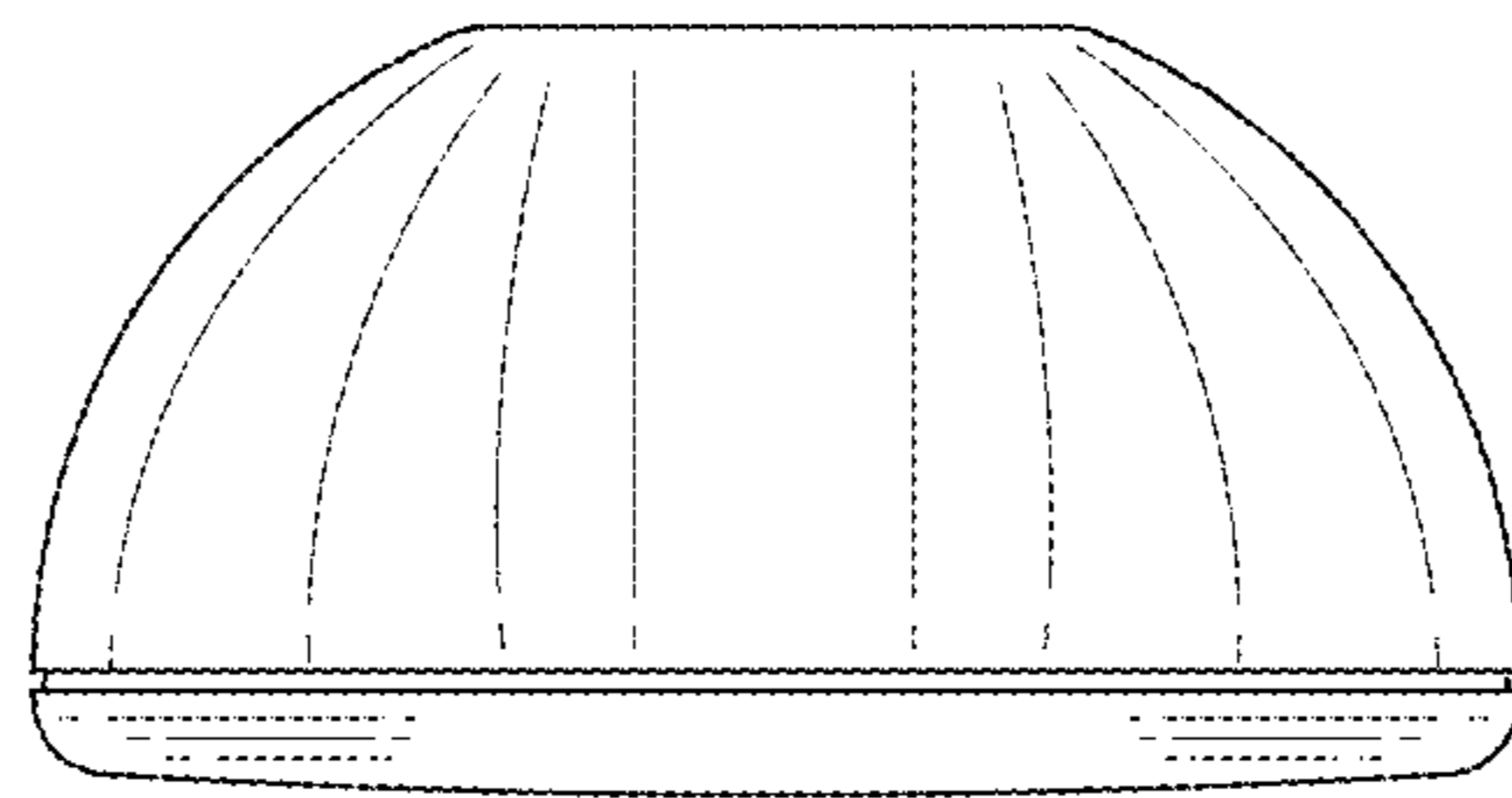


FIG.6

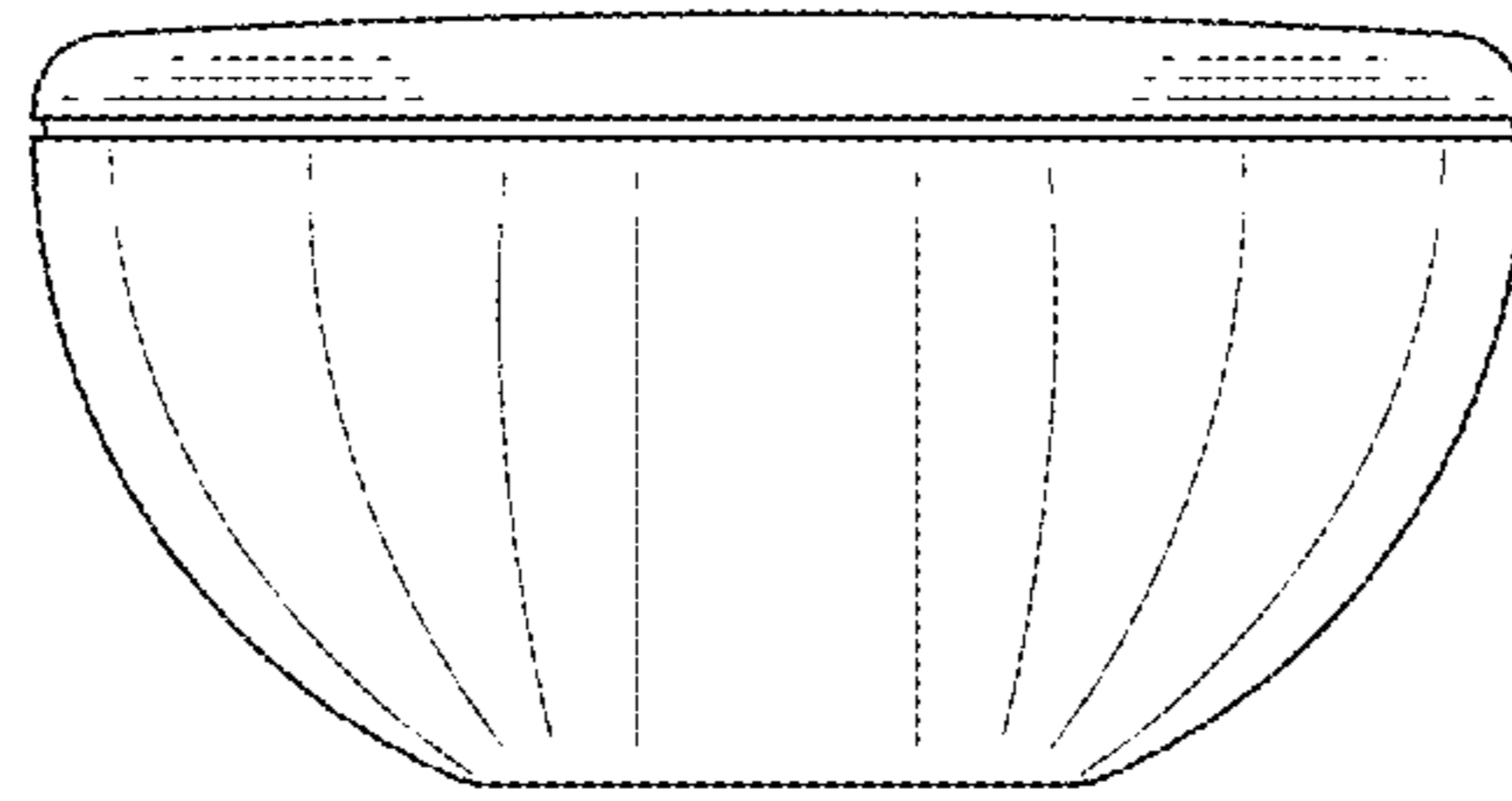


FIG. 7



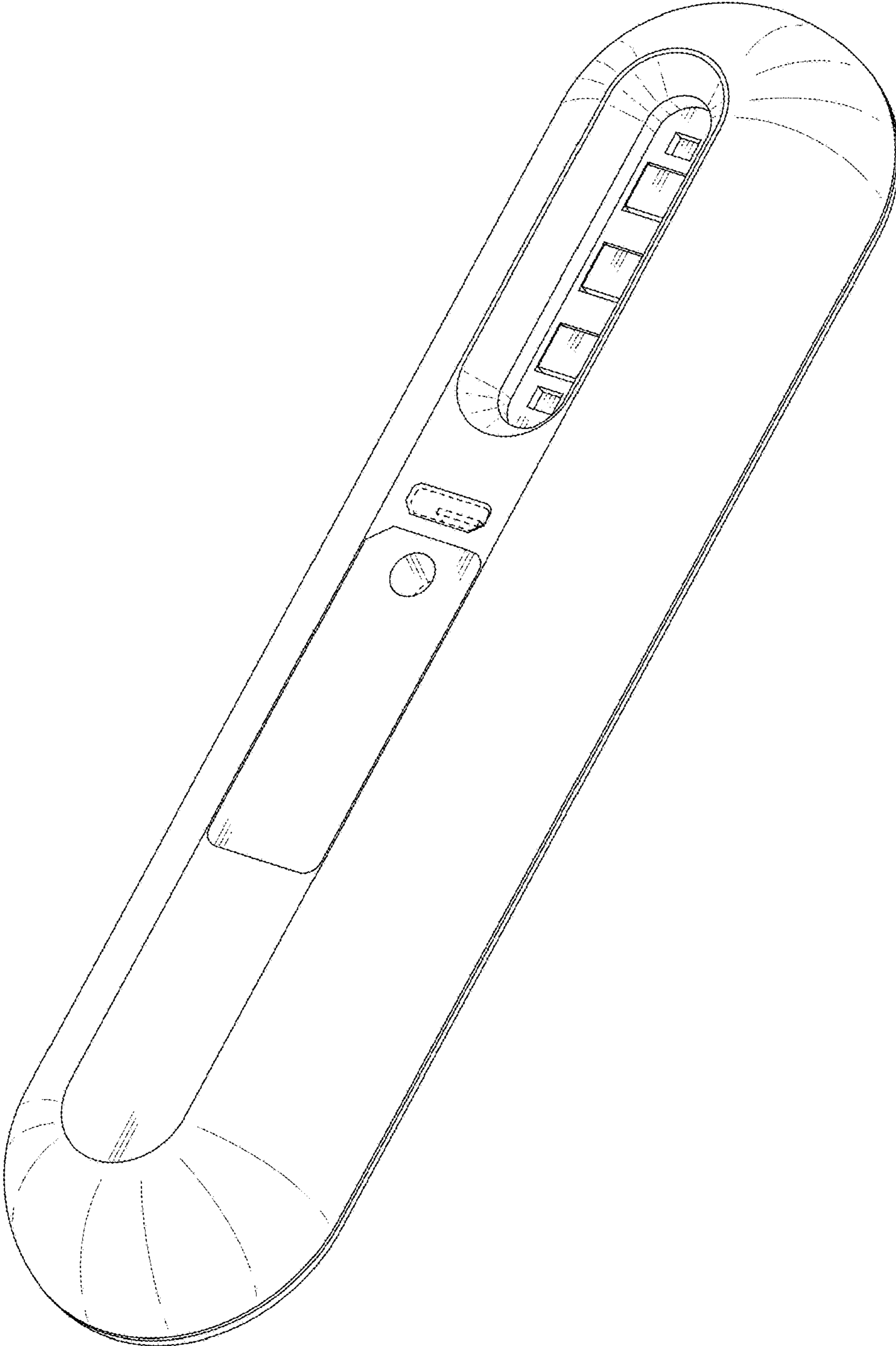


FIG. 8