



US00D972066S

(12) **United States Design Patent**
Nakamura

(10) **Patent No.:** **US D972,066 S**

(45) **Date of Patent:** **** Dec. 6, 2022**

(54) **THREE THICKNESS LAYER WAVE-TYPE
TAIL FOR A SOFT LURE**

(71) Applicant: **SPRO Corp.**, Kennesaw, GA (US)

(72) Inventor: **Kazutomo Nakamura**, Woodstock, GA
(US)

(73) Assignee: **Spro Corp.**, Kennesaw, GA (US)

(**) Term: **15 Years**

(21) Appl. No.: **29/842,957**

(22) Filed: **Jun. 16, 2022**

Related U.S. Application Data

(62) Division of application No. 29/745,071, filed on Aug.
3, 2020, now Pat. No. Des. 958,926.

(51) **LOC (13) Cl.** **22-05**

(52) **U.S. Cl.**
USPC **D22/127**

(58) **Field of Classification Search**
USPC D22/126-128, 131-133
CPC A01K 85/00; A01K 85/02; A01K 85/14;
A01K 85/005; A01K 85/1811
See application file for complete search history.

(56) **References Cited**

U.S. PATENT DOCUMENTS

D237,274 S	10/1975	Roberts	
D241,347 S	9/1976	Robinson	
D255,043 S	5/1980	Lapetina	
D256,495 S	8/1980	Brown	
D294,379 S *	2/1988	Selby	D22/133
D300,345 S *	3/1989	Selby	D22/133
4,885,867 A *	12/1989	Leal	A01K 85/00 43/42.26
D385,613 S *	10/1997	Yano	D22/127

D499,461 S *	12/2004	Chambers, Sr.	D22/127
6,843,017 B1 *	1/2005	Chambers, Sr.	A01K 85/00 43/42.3
6,860,058 B2 *	3/2005	Ito	A01K 85/00 43/42.31
D604,796 S *	11/2009	Wyatt	D22/127
7,774,974 B1 *	8/2010	Parks	A01K 85/00 43/42.24
D664,235 S	7/2012	Oliver	
D725,738 S	3/2015	McMillian	
D745,109 S *	12/2015	Pease	D22/127
D749,690 S	2/2016	Moore	
D851,205 S *	6/2019	Tocci	D22/127
D931,974 S	9/2021	Smith	

* cited by examiner

Primary Examiner — Catherine R Oliver-Garcia
(74) *Attorney, Agent, or Firm* — Davis Wright Tremaine
LLP

(57) **CLAIM**

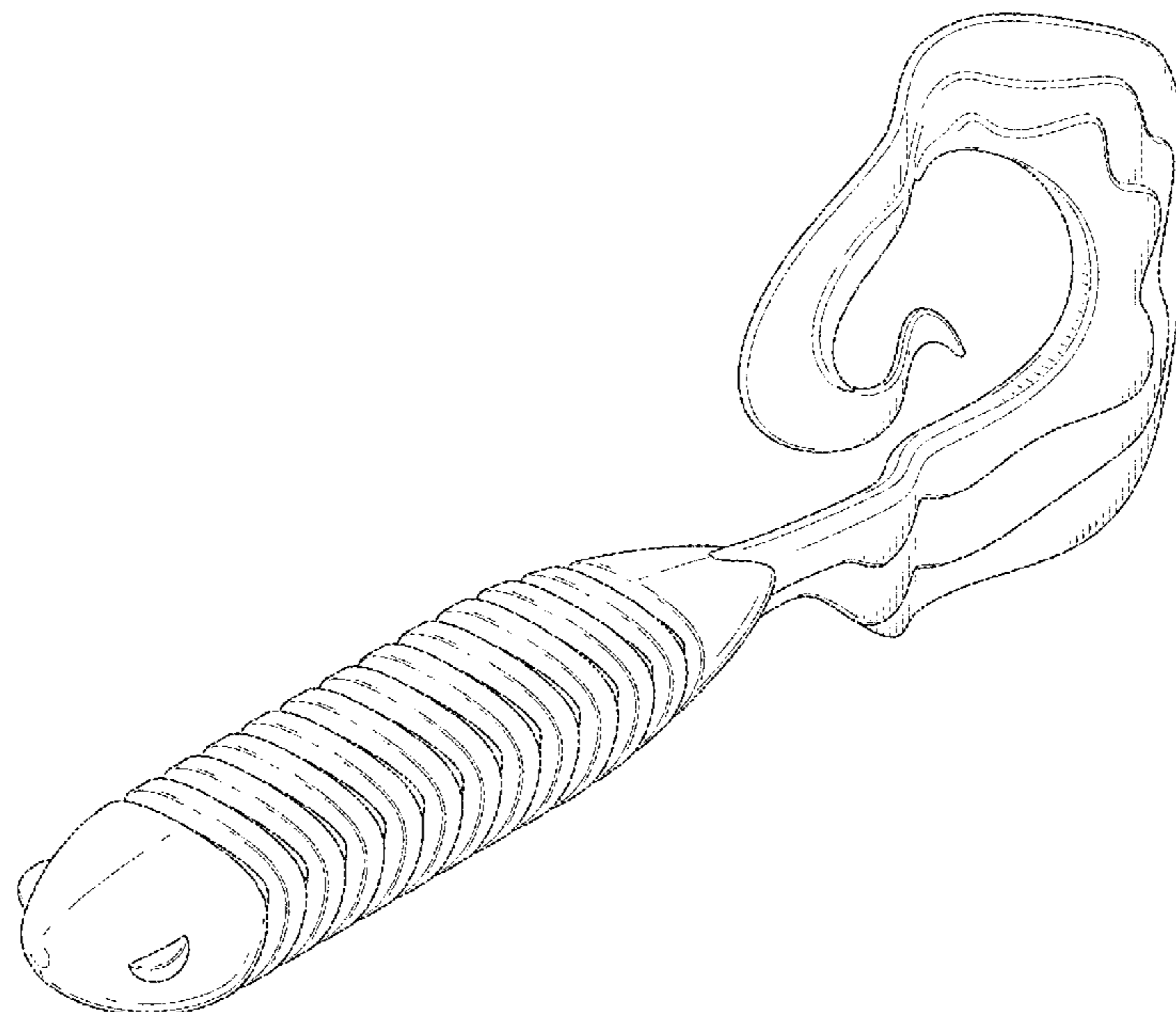
The ornamental design for a three thickness layer wave-type
tail for a soft lure, as shown and described.

DESCRIPTION

FIG. 1 is a top front perspective view of a three thickness
layer wave-type tail for a soft lure showing our new design,
with the tail in an exemplary wave form configuration;
FIG. 2 is a bottom rear perspective view thereof;
FIG. 3 is a left side elevational view thereof;
FIG. 4 is a right side elevational view thereof;
FIG. 5 is a top plan view thereof;
FIG. 6 is a bottom plan view thereof;
FIG. 7 is a front elevational view thereof; and,
FIG. 8 is a rear elevational view thereof.

The broken line showing of portions of the three thickness
layer wave-type tail for a soft lure is included for the purpose
of illustrating only and forms no part of the claimed design.

1 Claim, 6 Drawing Sheets



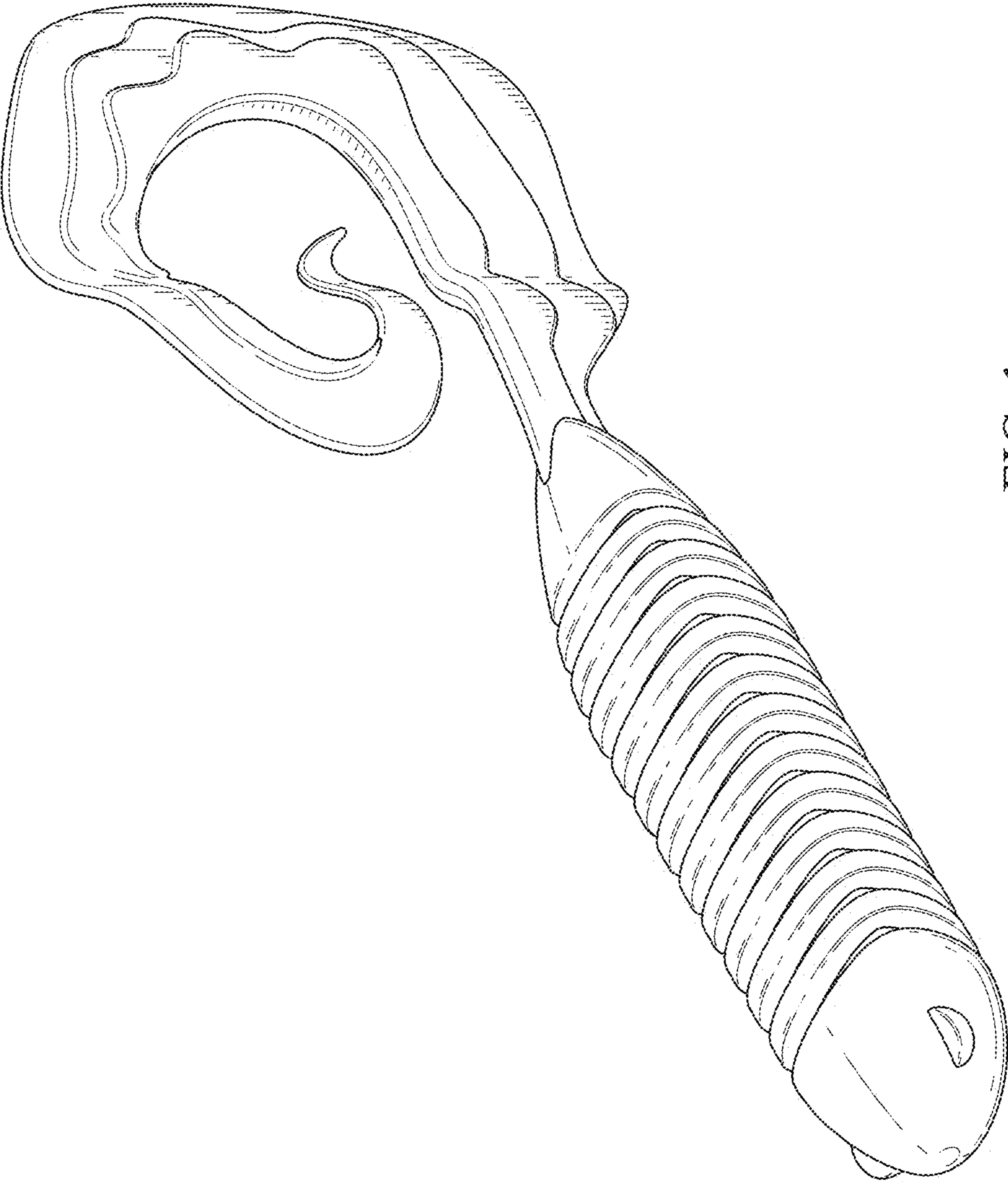


FIG. 1

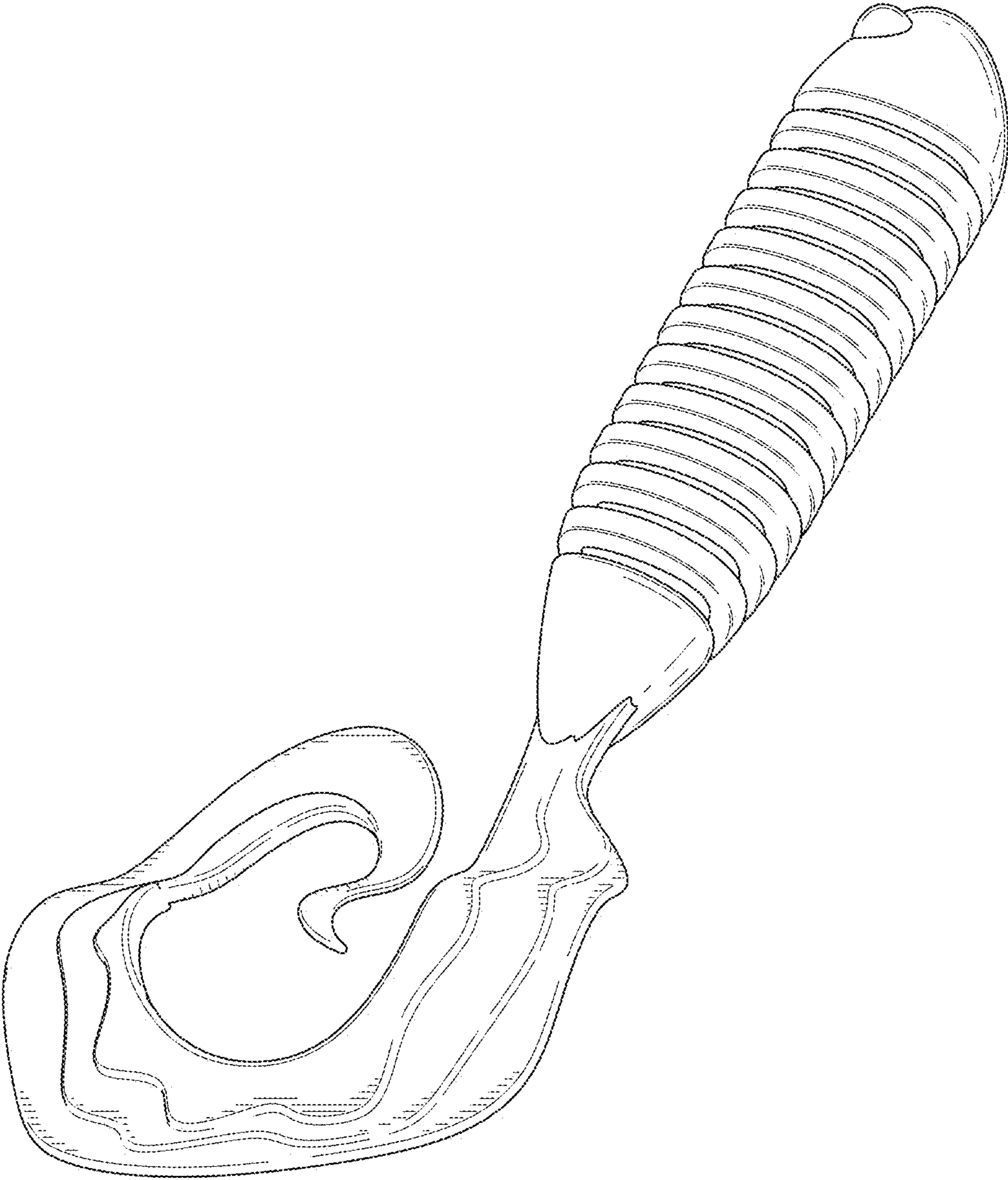


FIG. 2

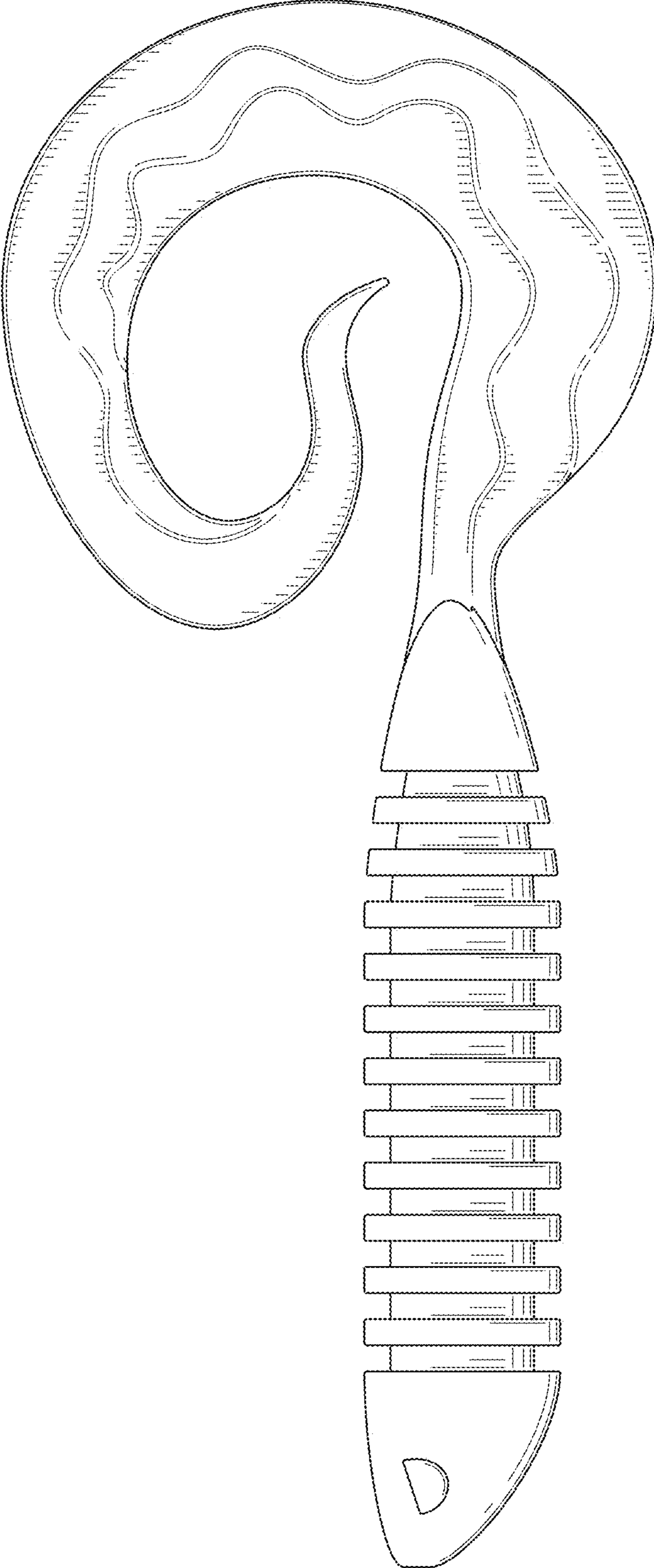


FIG. 3

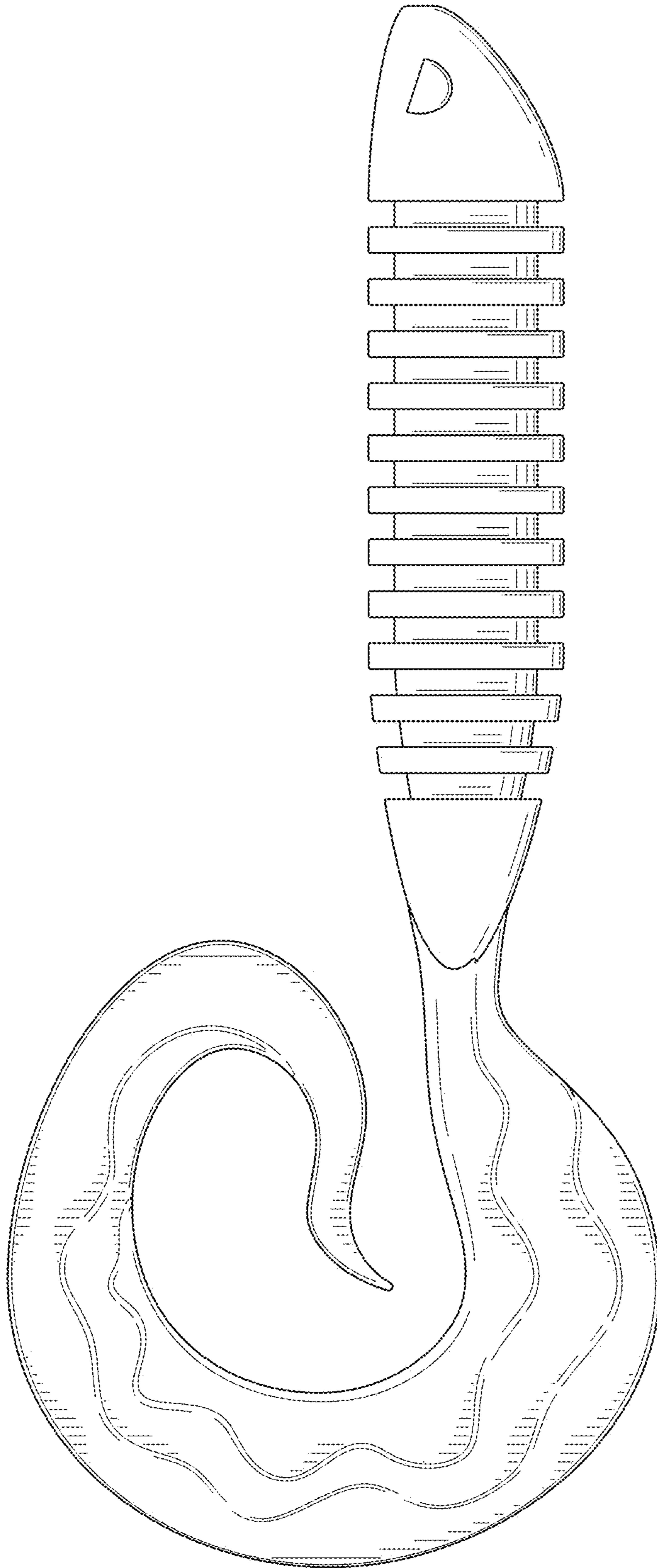


FIG. 4

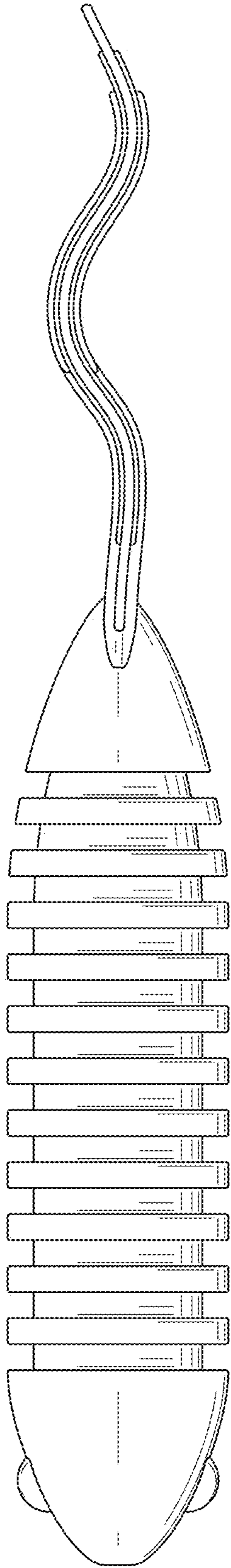


FIG. 5

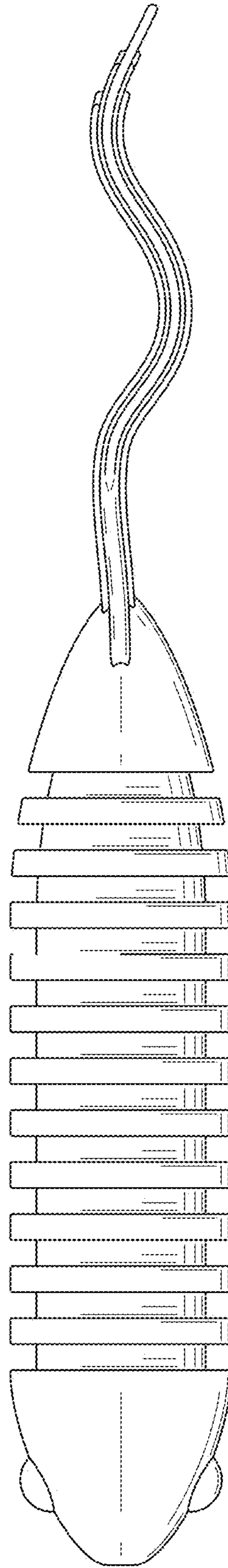


FIG. 6

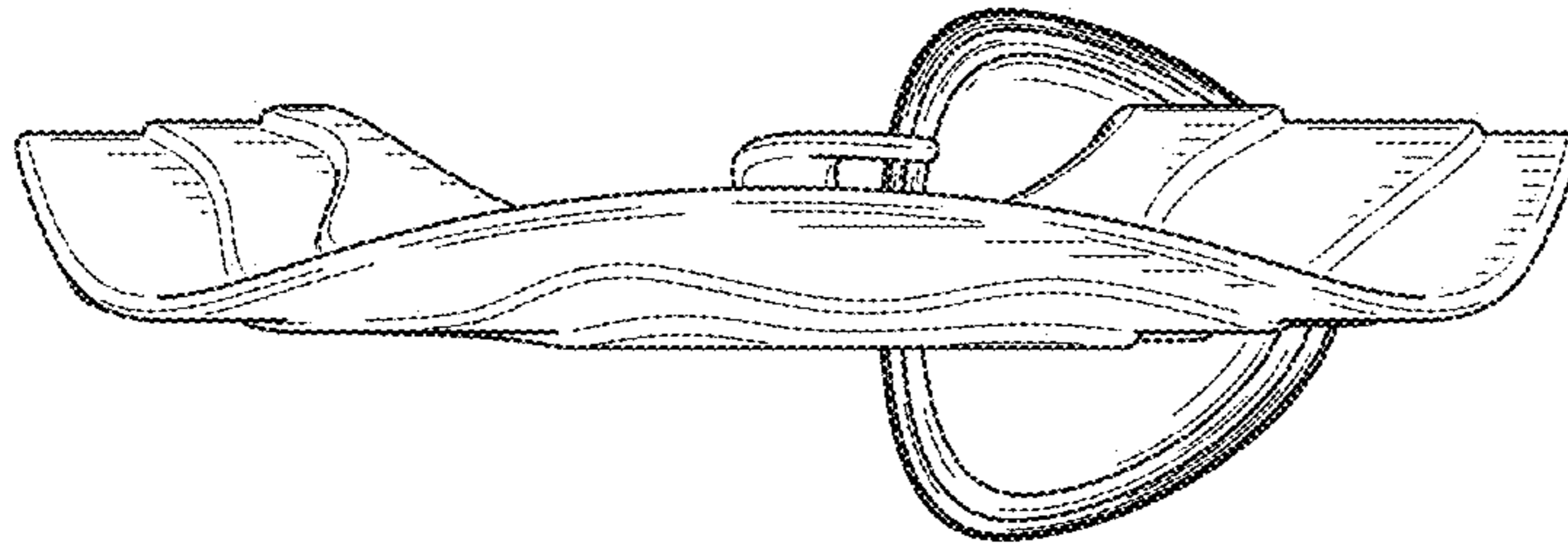


FIG. 8

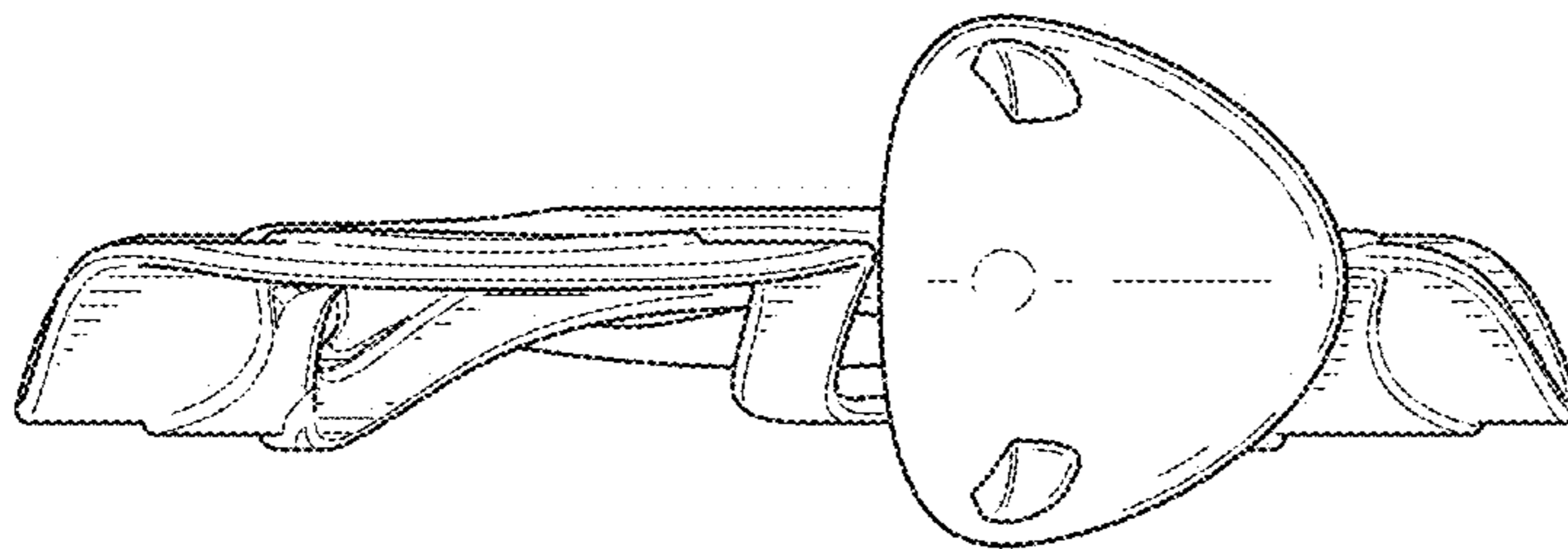


FIG. 7