



US00D972064S

(12) **United States Design Patent**  
**Zhang**

(10) **Patent No.:** **US D972,064 S**  
(45) **Date of Patent:** **\*\* Dec. 6, 2022**

(54) **ELECTRIC MOSQUITO SWATTER**

(71) Applicant: **Yulan Zhang**, Chizhou (CN)

(72) Inventor: **Yulan Zhang**, Chizhou (CN)

(\*\*) Term: **15 Years**

(21) Appl. No.: **29/791,261**

(22) Filed: **Jan. 6, 2022**

(51) **LOC (13) Cl.** ..... **22-06**

(52) **U.S. Cl.**  
USPC ..... **D22/123**; D22/124

(58) **Field of Classification Search**  
USPC ..... D22/123–124; D21/305, 724–725, 729;  
43/112

CPC ..... A01M 1/223; A01M 3/02; A01M 3/025;  
A01M 29/00; A01M 29/34

See application file for complete search history.

(56) **References Cited**

**U.S. PATENT DOCUMENTS**

D516,159 S *	2/2006	Himberger	.....	D22/124
D518,867 S *	4/2006	Dow	.....	D22/124
D918,333 S	5/2021	Qiu		
D950,003 S *	4/2022	Zhong	.....	D22/123
2010/0088947 A1 *	4/2010	Mars	.....	A01M 3/025
				43/112
2010/0162615 A1 *	7/2010	Keralla	.....	A01M 3/025
				43/112

**OTHER PUBLICATIONS**

[https://www.amazon.com/Foldable-Electric-Fly-Swatter-Rechargeable/dp/B09YR3LWL6/ref=sr\\_1\\_130\\_sspa?crd=H0UI8W8NV06K](https://www.amazon.com/Foldable-Electric-Fly-Swatter-Rechargeable/dp/B09YR3LWL6/ref=sr_1_130_sspa?crd=H0UI8W8NV06K)

&keywords=electric+bug+zapper+racket&qid=1658965106&sprefix=%2Caps%2C52&sr=8-130-spons&psc=1&spLa=ZW5jcnlwdGVkUXVhbGlmaWVyPUEyMDBNS0QyV0ZRT05NjMvY3J5cHRIZEFkPUEwODAwNTQ2NUVYQzIOT1U0UjZ0JmVuY3J5cHRIZEFkS WQ9QTA4MzAyNjIzSU9SWVRNTIdJSUs1JndpZGldE5hbWU9 c3BfbXRmJmFjdGlvbj1jbGlja1JIZGIyZWNoJmRvTm90TG9nQ2 xpY2s9dHJ1ZQ==(Year: 2022).\*

\* cited by examiner

*Primary Examiner* — Catherine R Oliver-Garcia

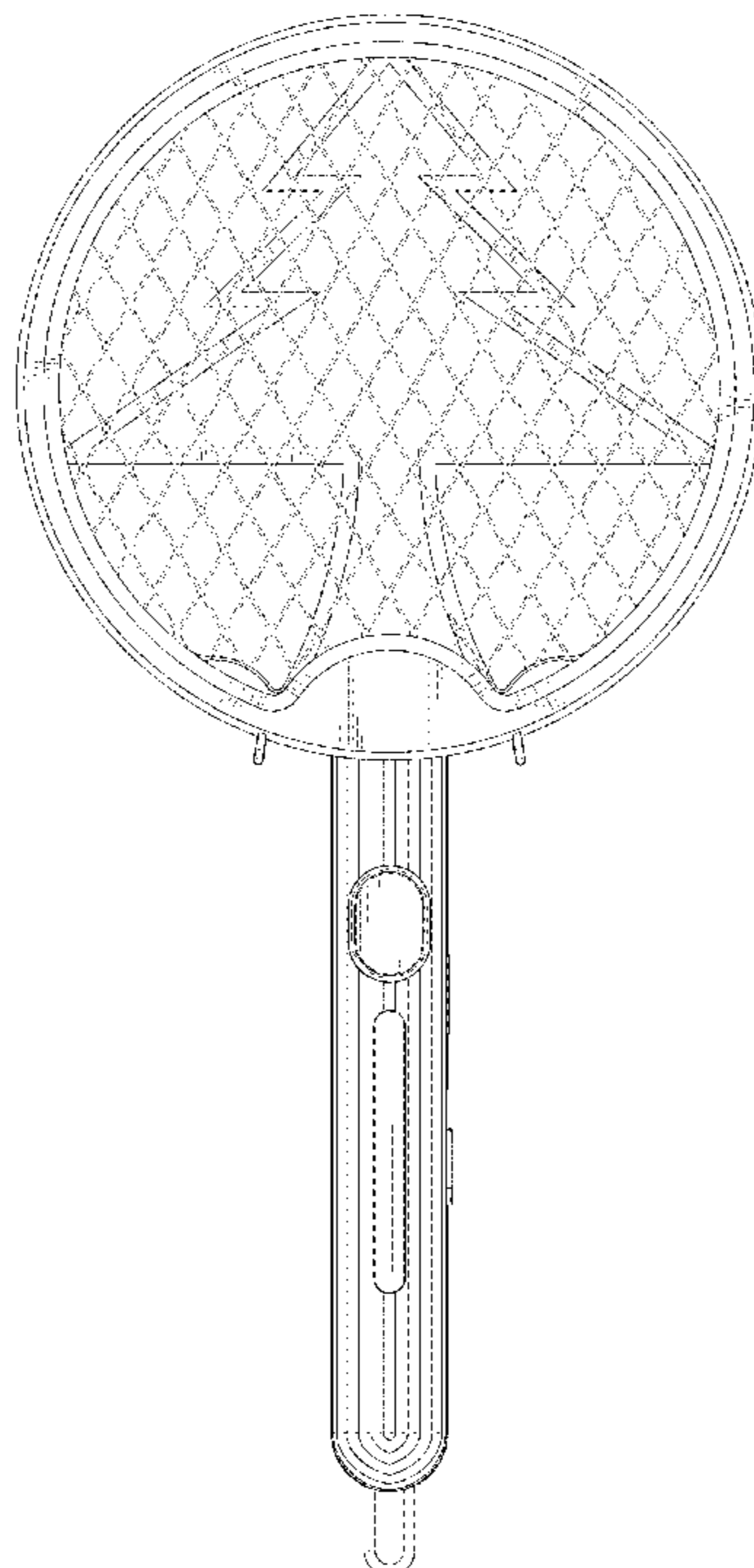
(57) **CLAIM**

The ornamental design for an electric mosquito swatter, as shown and described.

**DESCRIPTION**

FIG. 1 is a front and top perspective view of an electric mosquito swatter, showing my new design;  
FIG. 2 is a rear and bottom perspective view thereof;  
FIG. 3 is a front elevation view thereof;  
FIG. 4 is a rear elevation view thereof;  
FIG. 5 is a left side elevation view thereof;  
FIG. 6 is a right side elevation view thereof;  
FIG. 7 is a top plan view thereof;  
FIG. 8 is a bottom plan view thereof;  
FIG. 9 is an enlarged view of a portion labeled, 'FIG. 9' in FIG. 1; and,  
FIG. 10 is another perspective view thereof, shown in an alternative position.  
The broken lines in the figures illustrate portions of the electric mosquito swatter that form no part of the claimed design. The dash dot dash lines in FIGS. 1 and 9 are for the purpose of depicting the boundary lines of the enlarged view and form no part of the claimed design.

**1 Claim, 10 Drawing Sheets**



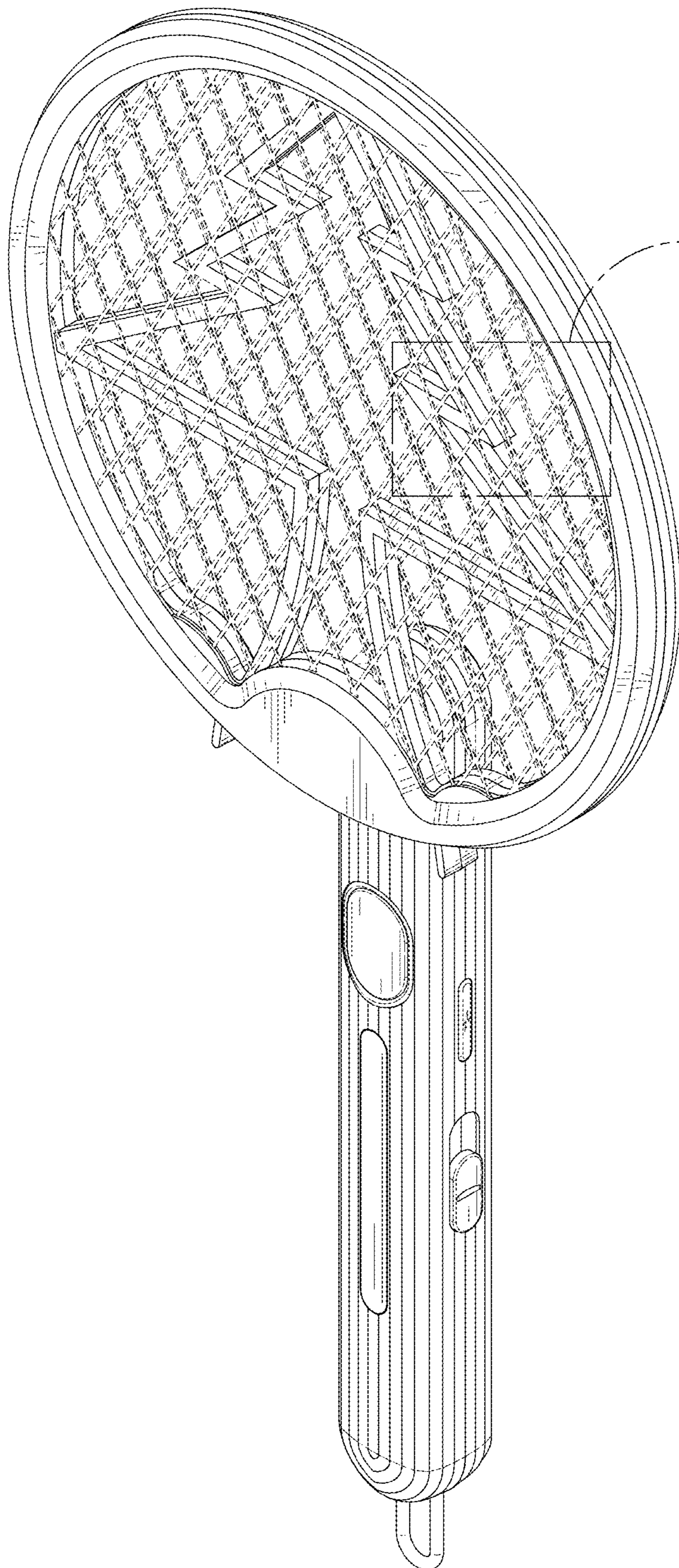


FIG. 9

FIG. 1

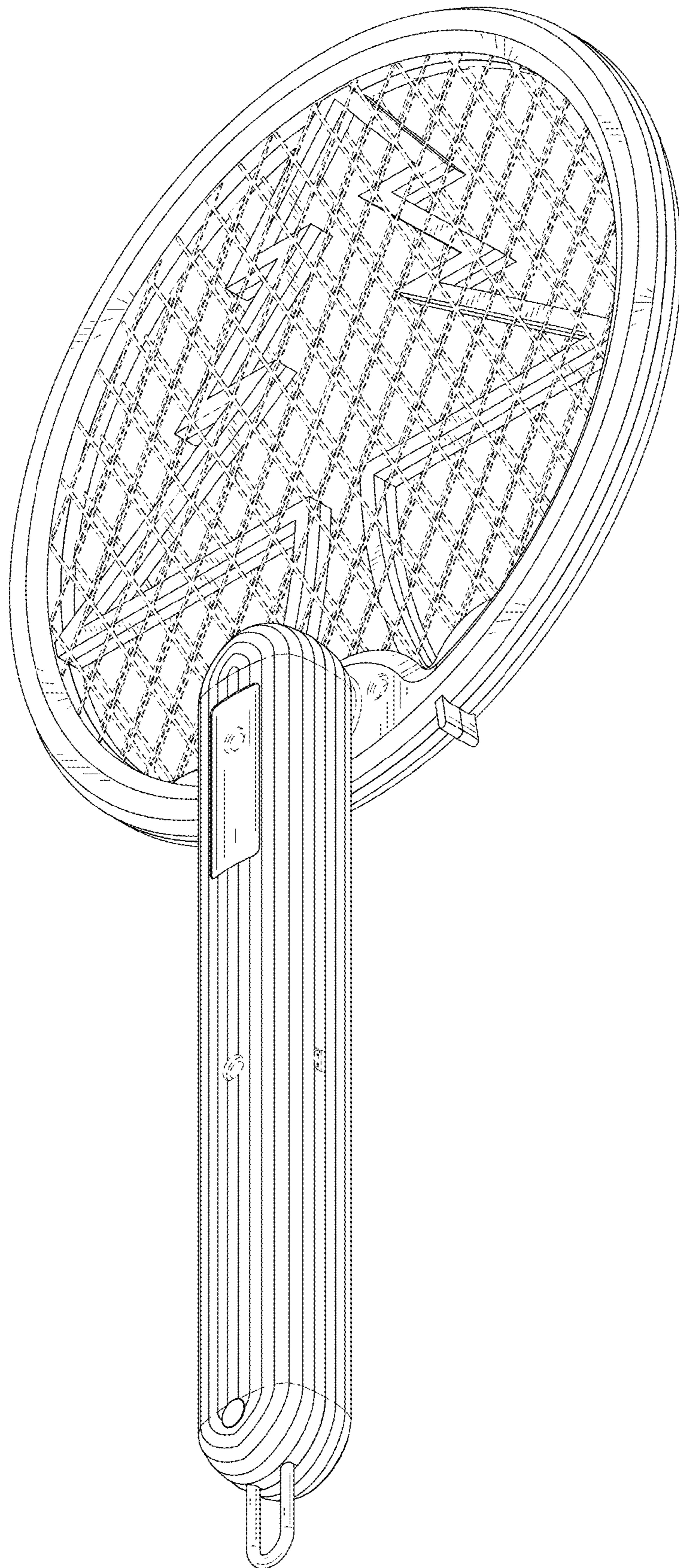


FIG. 2

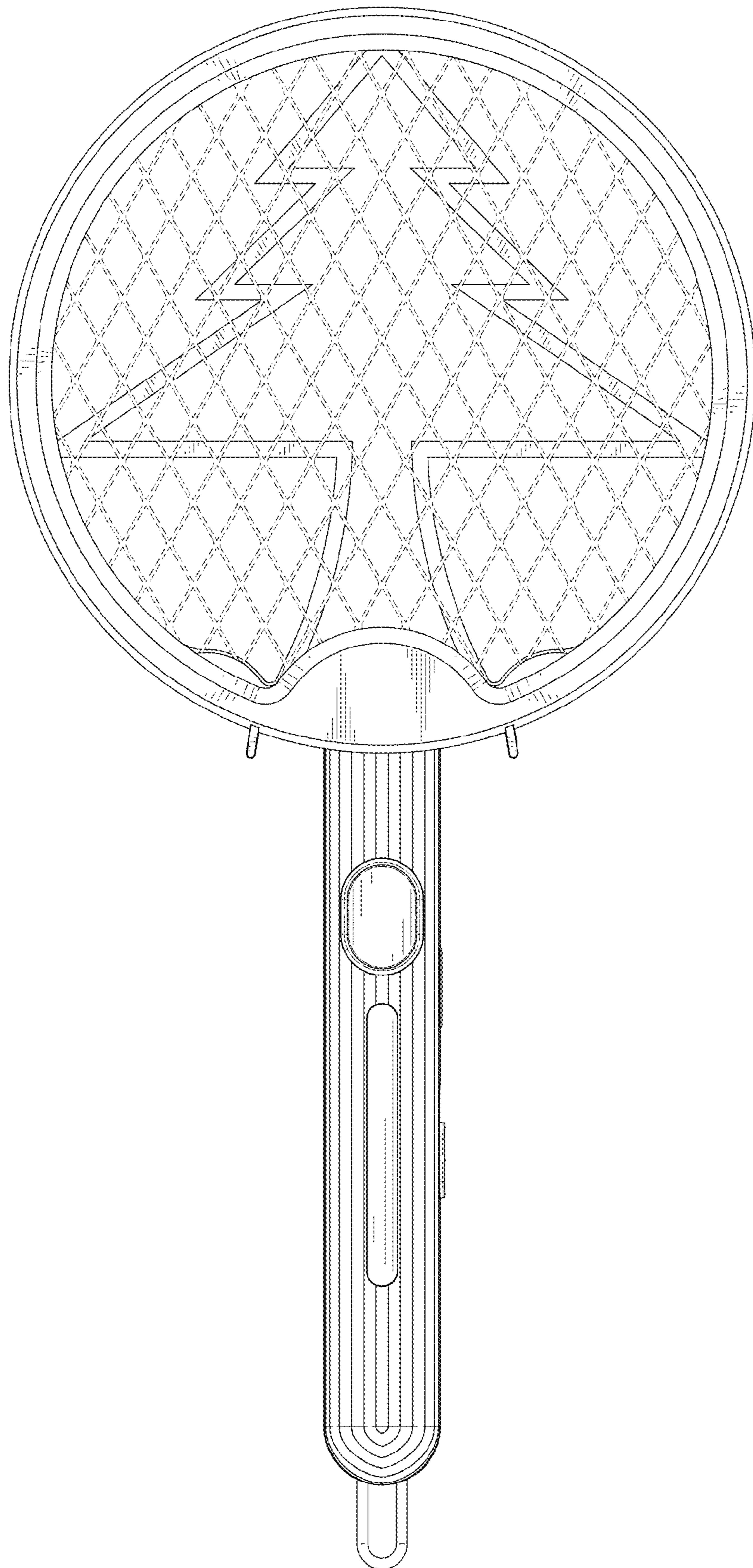


FIG. 3

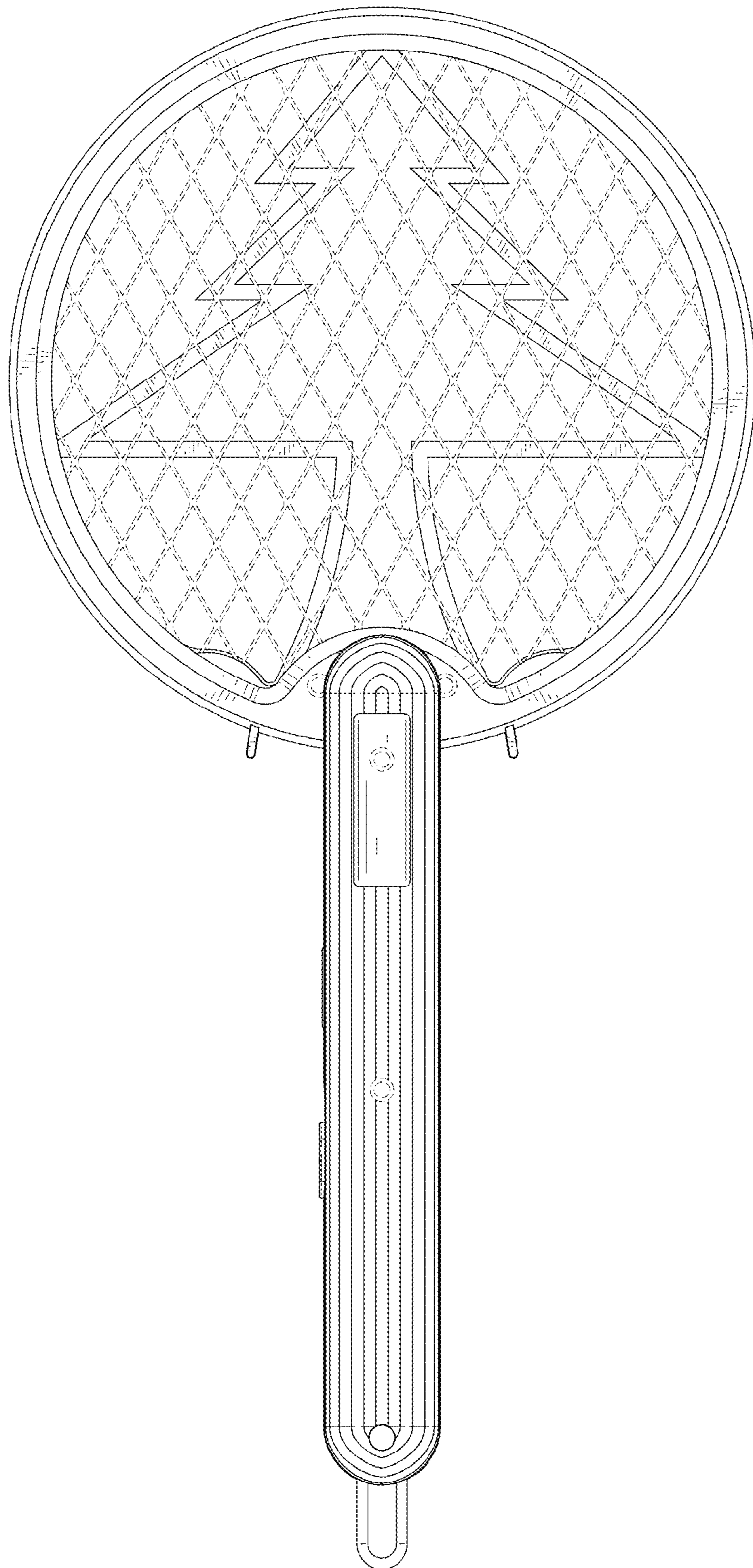


FIG. 4

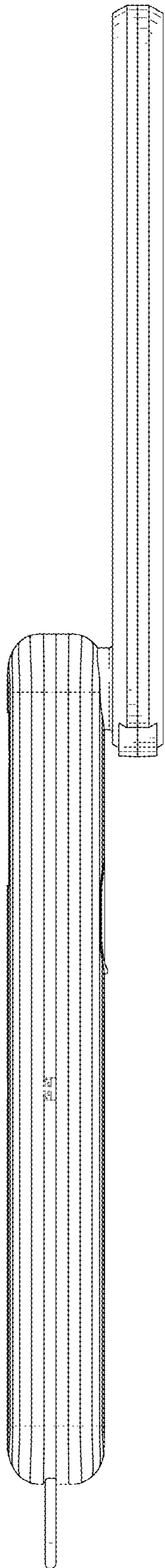


FIG. 5

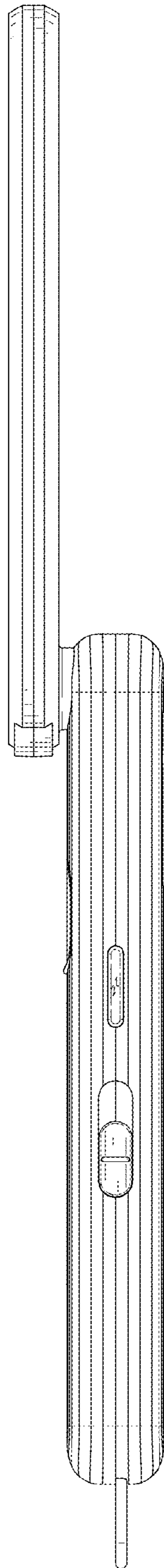


FIG. 6

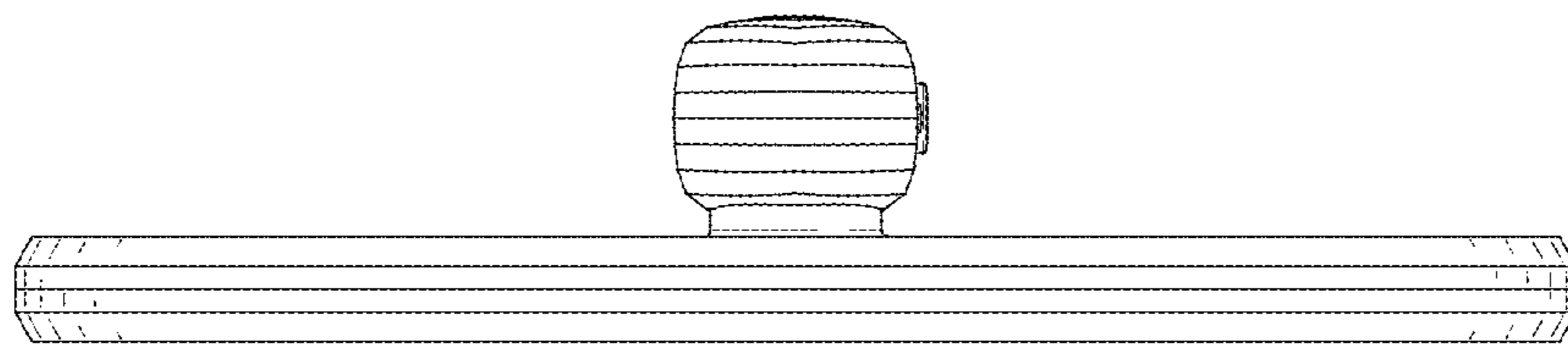


FIG. 7



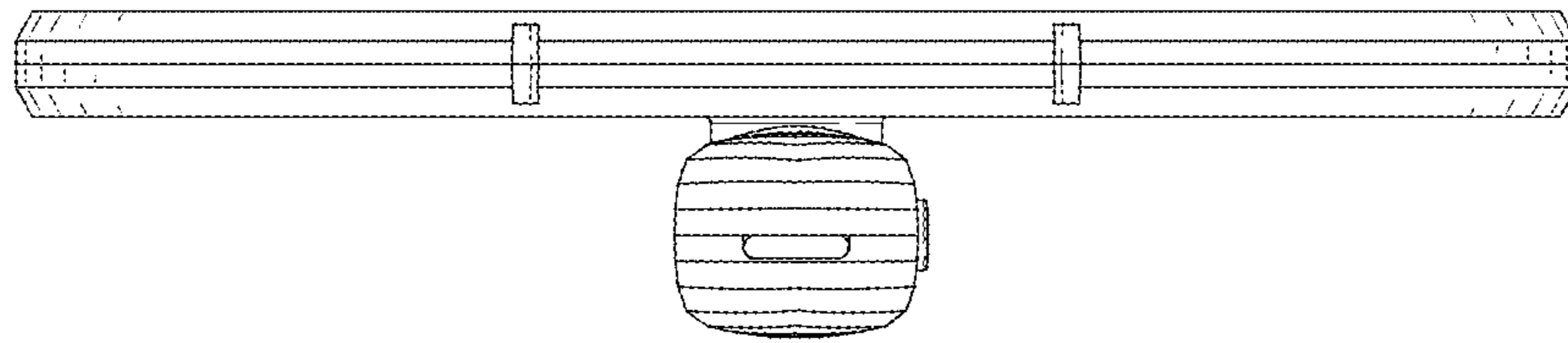


FIG. 8

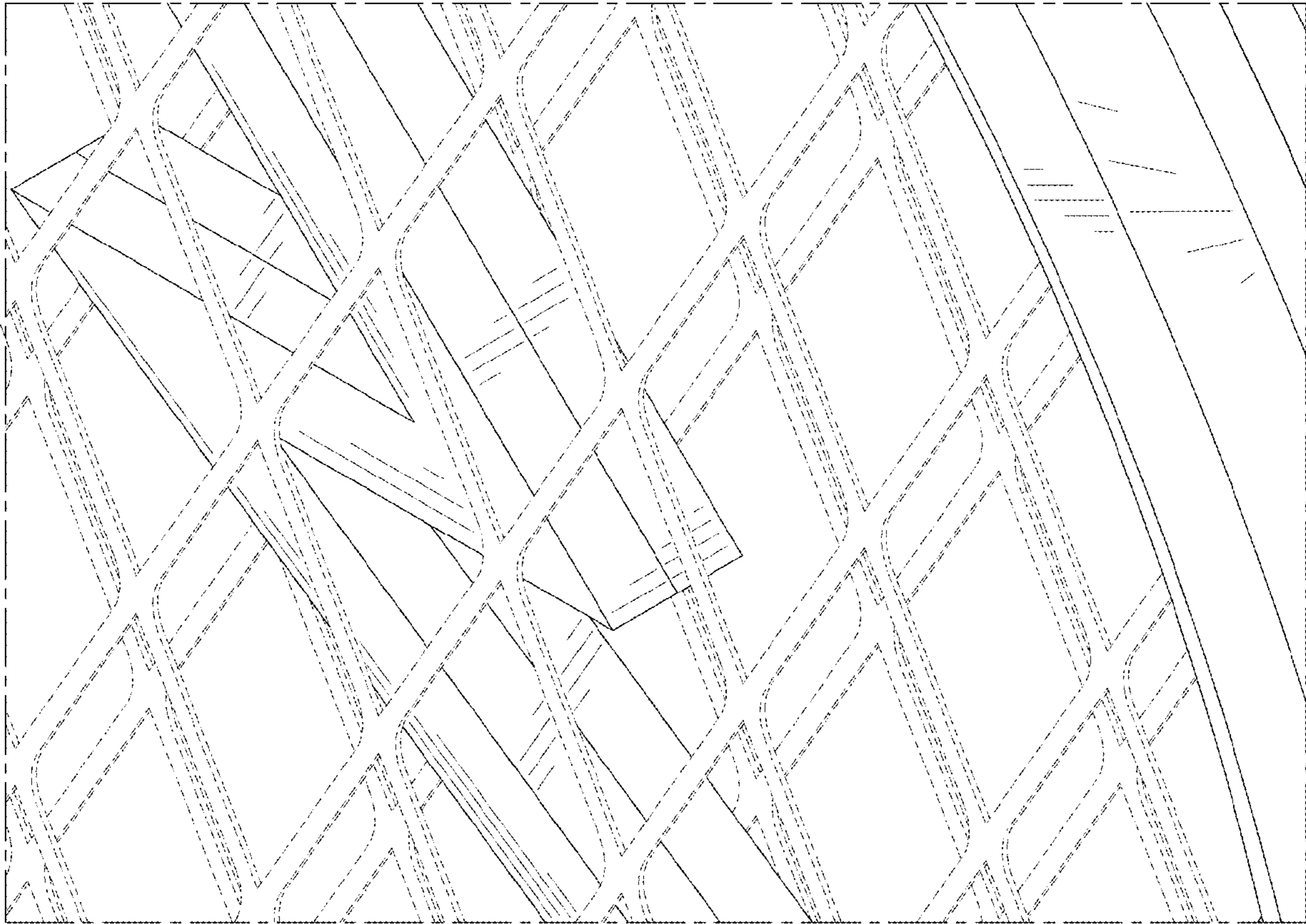


FIG. 9

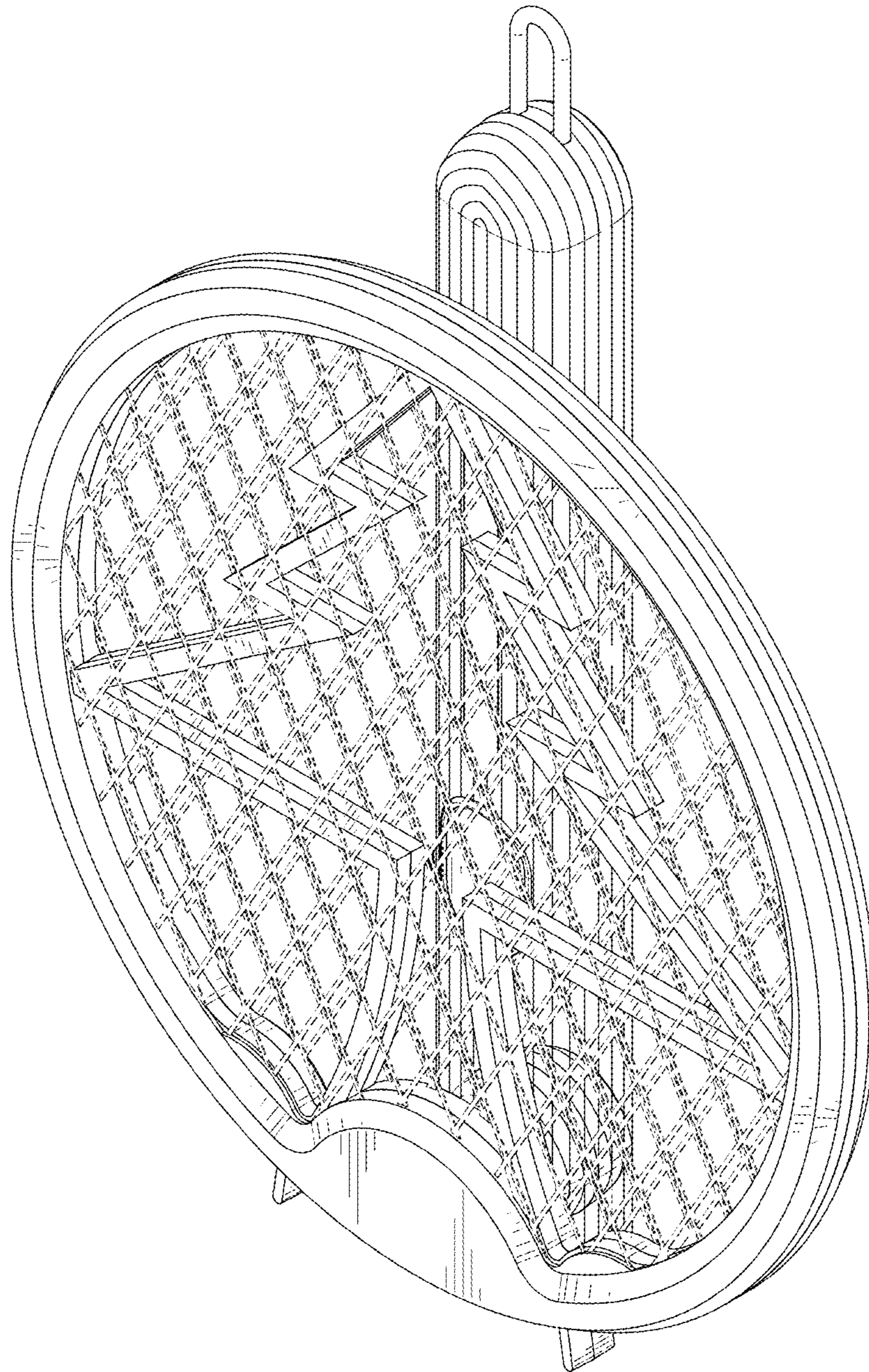


FIG. 10