



US00D972063S

(12) **United States Design Patent** (10) **Patent No.:** **US D972,063 S**
Sung (45) **Date of Patent:** **** Dec. 6, 2022**

(54) **KNIFE WITH PADDLE HOLSTER**

(71) Applicant: **Shaoching Sung**, Chino, CA (US)

(72) Inventor: **Shaoching Sung**, Chino, CA (US)

(**) Term: **15 Years**

(21) Appl. No.: **29/831,364**

(22) Filed: **Mar. 18, 2022**

(51) **LOC (13) Cl.** **22-02**

(52) **U.S. Cl.**
USPC **D22/118; D3/220**

(58) **Field of Classification Search**
USPC D22/118; D3/220; 224/192–193
CPC A45F 3/00; A45F 5/021; F41C 33/046
See application file for complete search history.

(56) **References Cited**

U.S. PATENT DOCUMENTS

D453,992 S *	3/2002	Lamanna	D3/220
D697,781 S	1/2014	Trbovich et al.	
D713,923 S	9/2014	Salvitti et al.	
D756,193 S	5/2016	Horvath	
D809,786 S *	2/2018	Dingel	D3/220
10,207,415 B2	2/2019	Vellekamp	
10,363,675 B2 *	7/2019	Robinson	B26B 3/00
10,737,401 B1	8/2020	Coves et al.	
D903,041 S *	11/2020	Holmes	D22/118
D917,260 S	4/2021	Marfione	
D925,325 S	7/2021	Caswell	
2015/0224652 A1	8/2015	Irvin	

FOREIGN PATENT DOCUMENTS

CN	301933742	5/2012
CN	302548785	8/2013
CN	304278490	9/2017
CN	304299953	9/2017
CN	304492197	9/2017
CN	304497366	2/2018
CN	304775212	8/2018

OTHER PUBLICATIONS

https://www.amazon.com/USA-Tactical-Texture-Handle-Holster/dp/B01MXW606E/ref=pd_lpo_2?pd_rd_i=B01MXW606E&psc=1 (Year: 2016).*

https://www.amazon.com/Canku-Outdoor-Survival-Tactical-Karambit/dp/B082PD3LBM/ref=sr_1_2?crd=35MTGILIYFPZV&keywords=canku+c1111+fixed+blade+knife&qid=1665158178&qu=eyJxc2MiOilwLjgzliwicXNhljoiMC4wMCIsInFzcCI6IjAuMDAifQ%3D%3D&sprefix=ccanku+c1111+fixed+blade+knife%2Caps%2C63&sr=8-2 (Year: 2019).*

* cited by examiner

Primary Examiner — Catherine R Oliver-Garcia
(74) *Attorney, Agent, or Firm* — Loza & Loza, LLP;
Heidi Eisenhut

(57) **CLAIM**

I claim the ornamental design for a knife with paddle holster, as shown and described.

DESCRIPTION

FIG. 1 is a left, top perspective view of a knife with a paddle holster in an open configuration, showing my new design; FIG. 2 is a left-side elevation view thereof; FIG. 3 is a right-side elevation view thereof; FIG. 4 is a front elevation view thereof; FIG. 5 is a rear elevation view thereof; FIG. 6 is a top plan view thereof; FIG. 7 is a bottom plan view thereof; FIG. 8 is a left, top perspective view of the knife without the paddle holster; and, FIG. 9 is a left-side elevation view of the knife without the paddle holster thereof. The broken line showing of the screw openings and the knife blade is included for the purpose of illustrating only and forms no part of the claimed design.

1 Claim, 8 Drawing Sheets

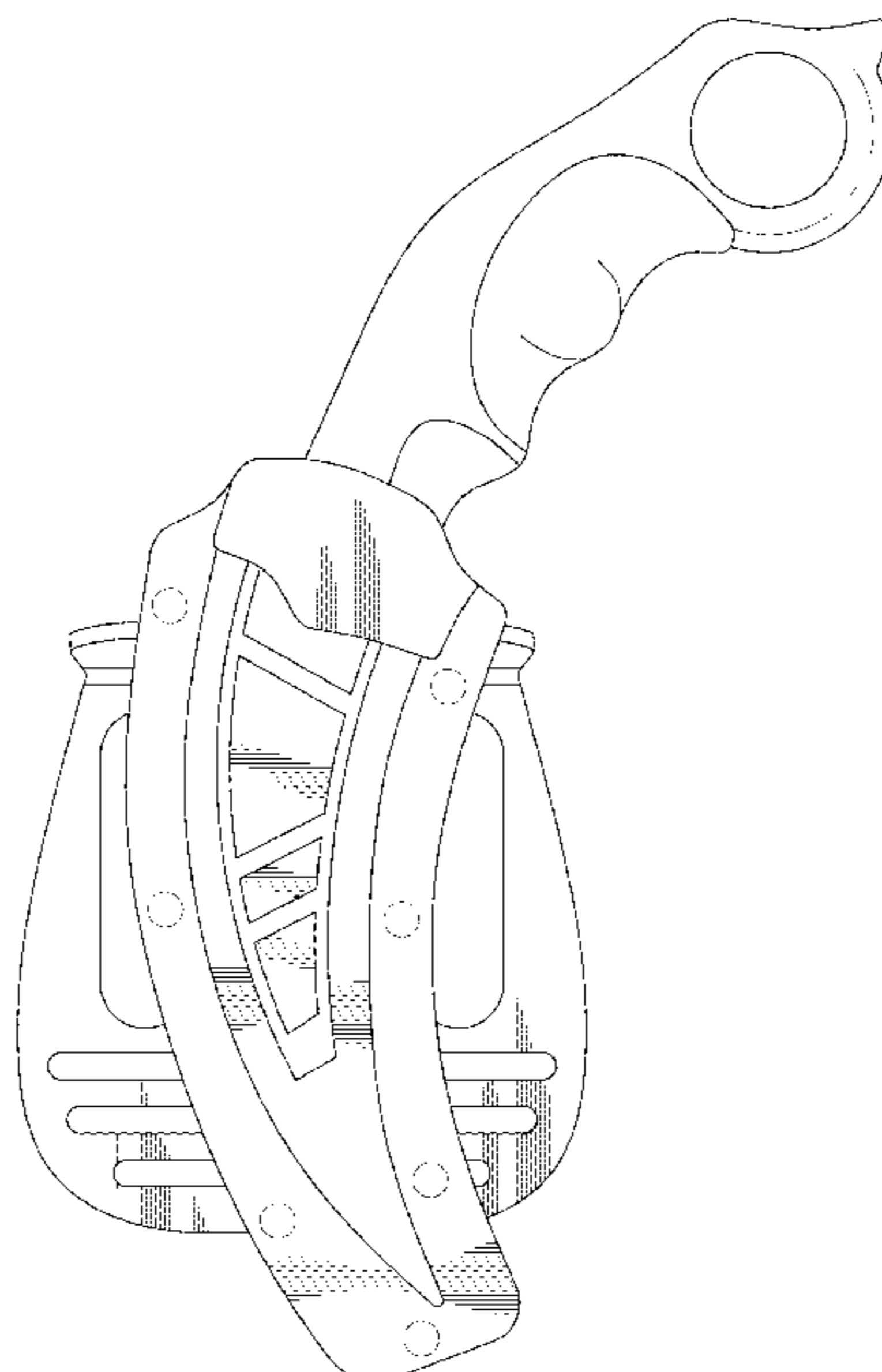


FIG. 1

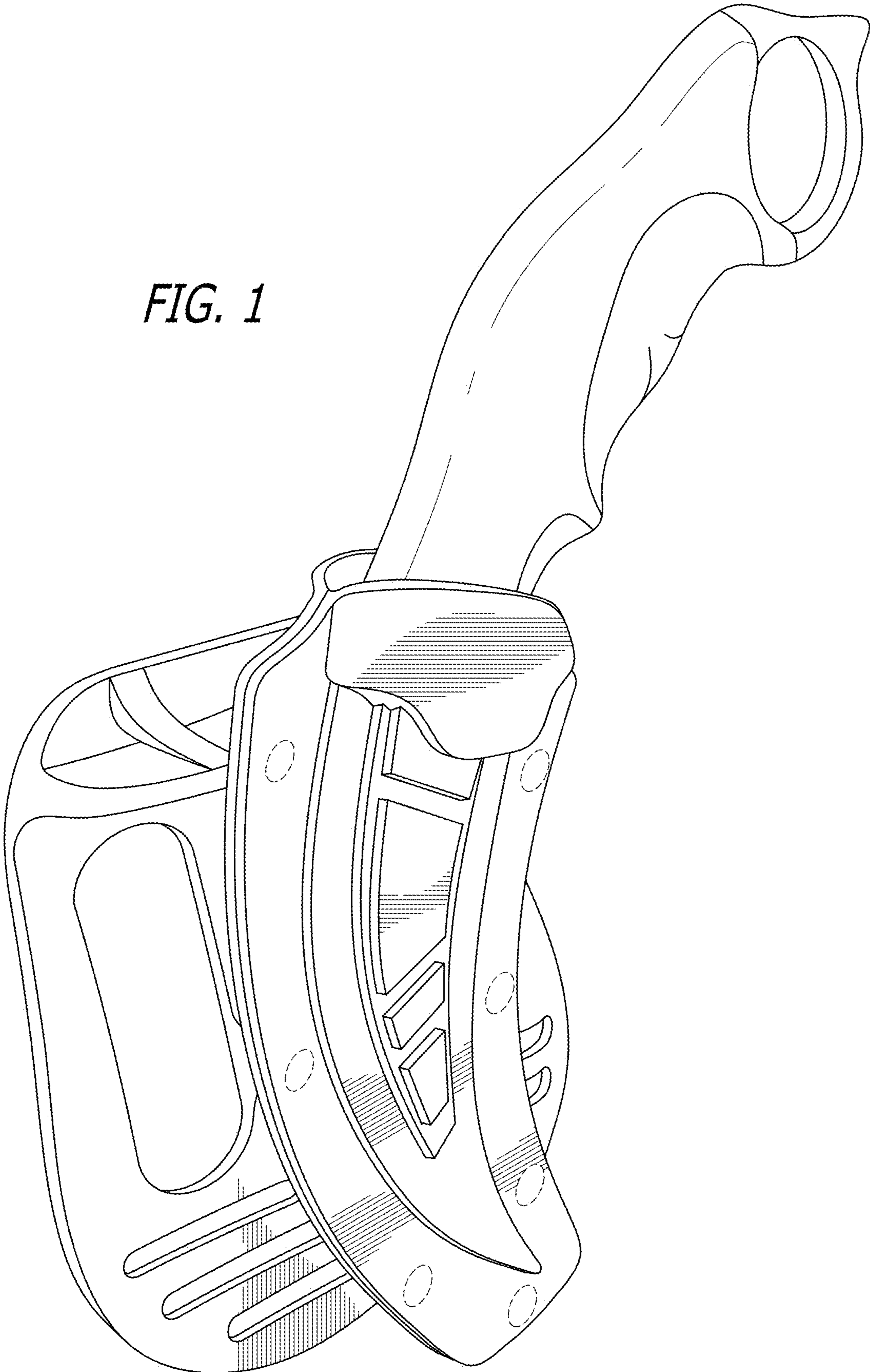
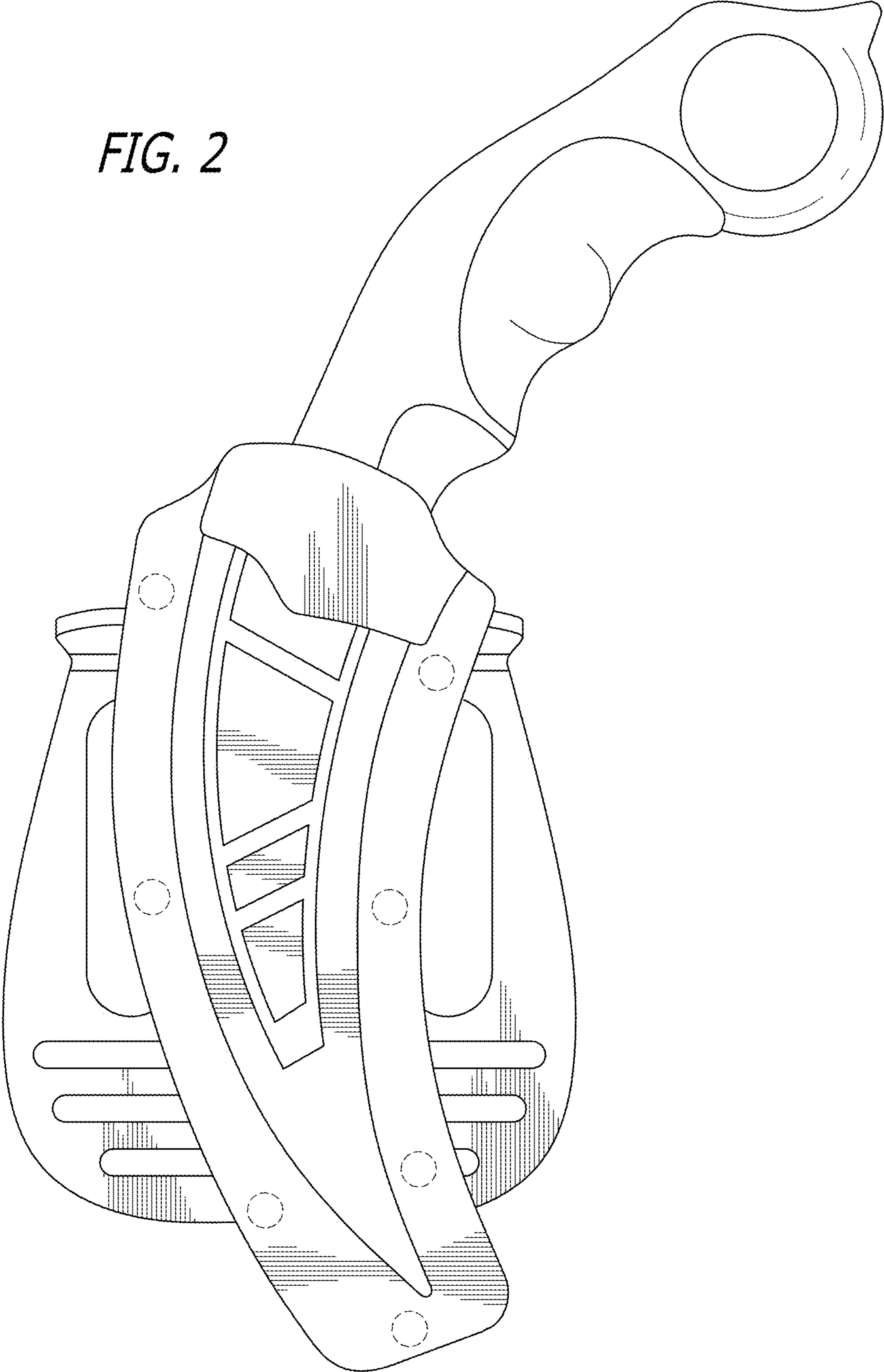


FIG. 2



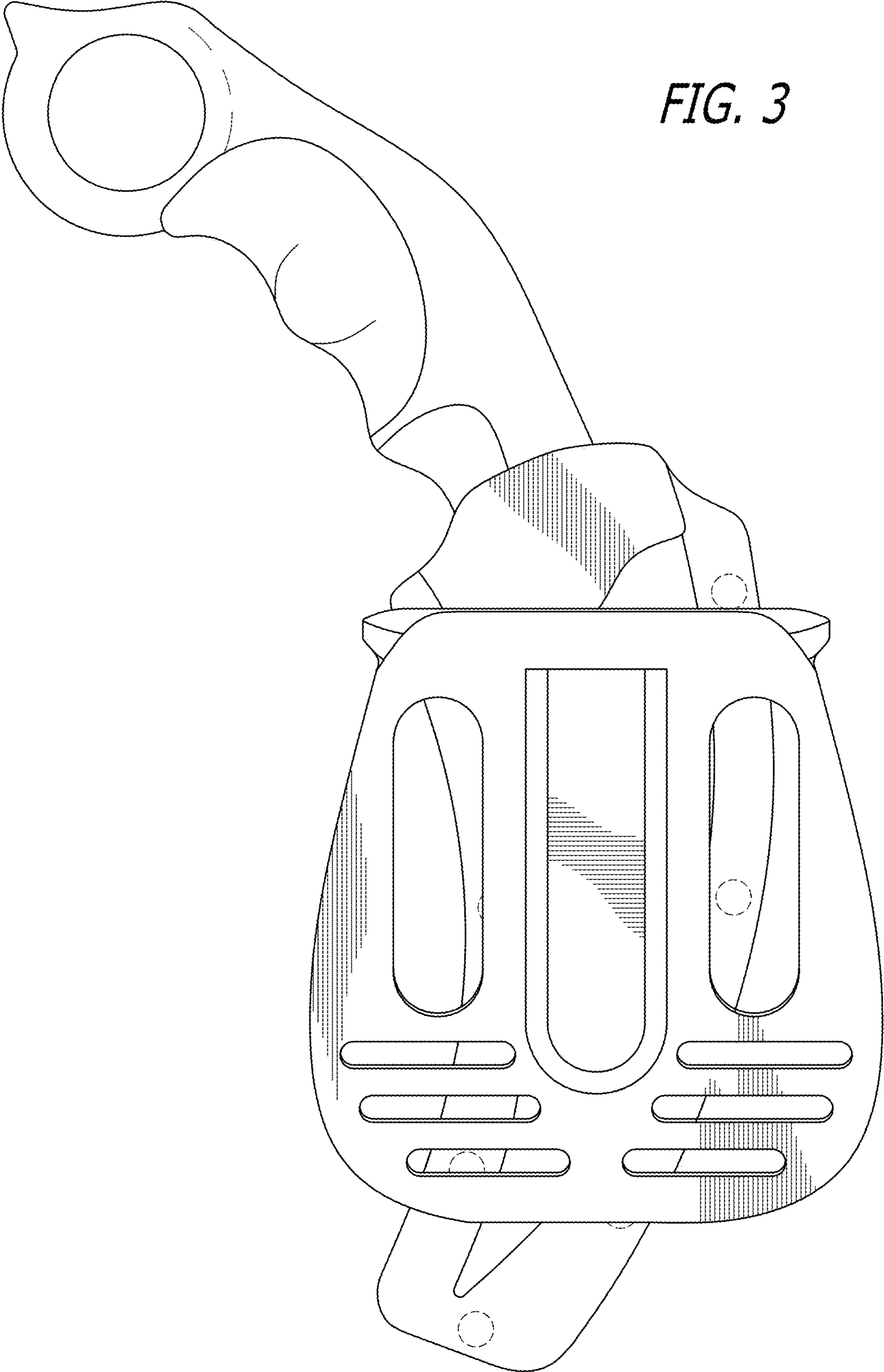


FIG. 3

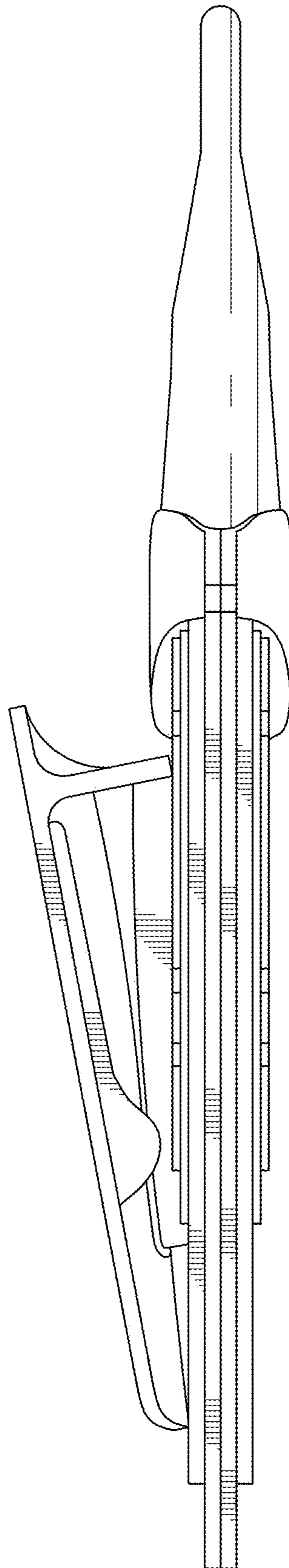


FIG. 4

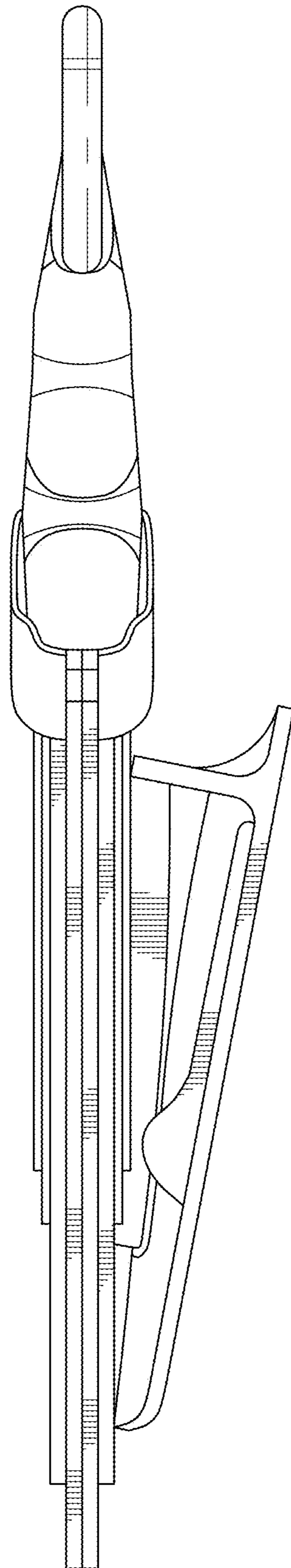


FIG. 5

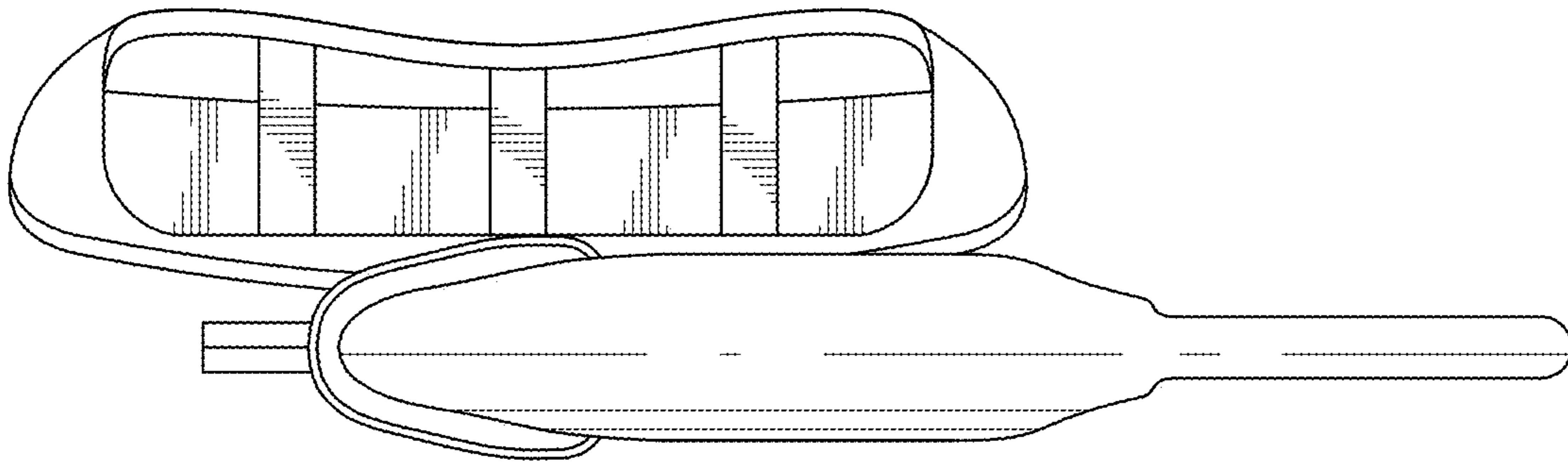


FIG. 6

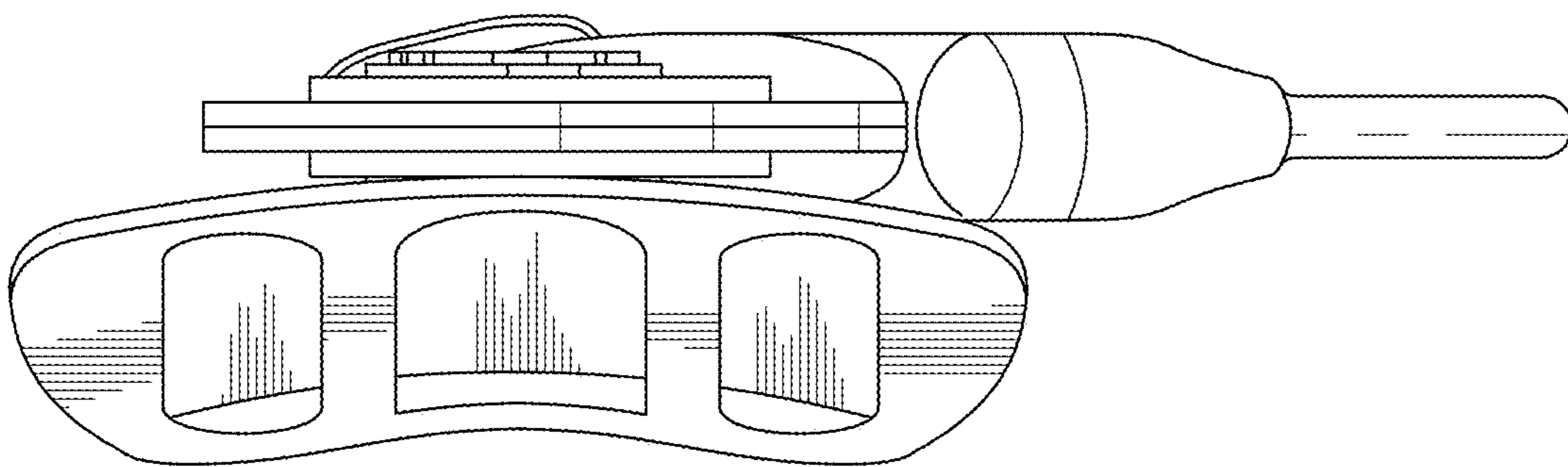


FIG. 7

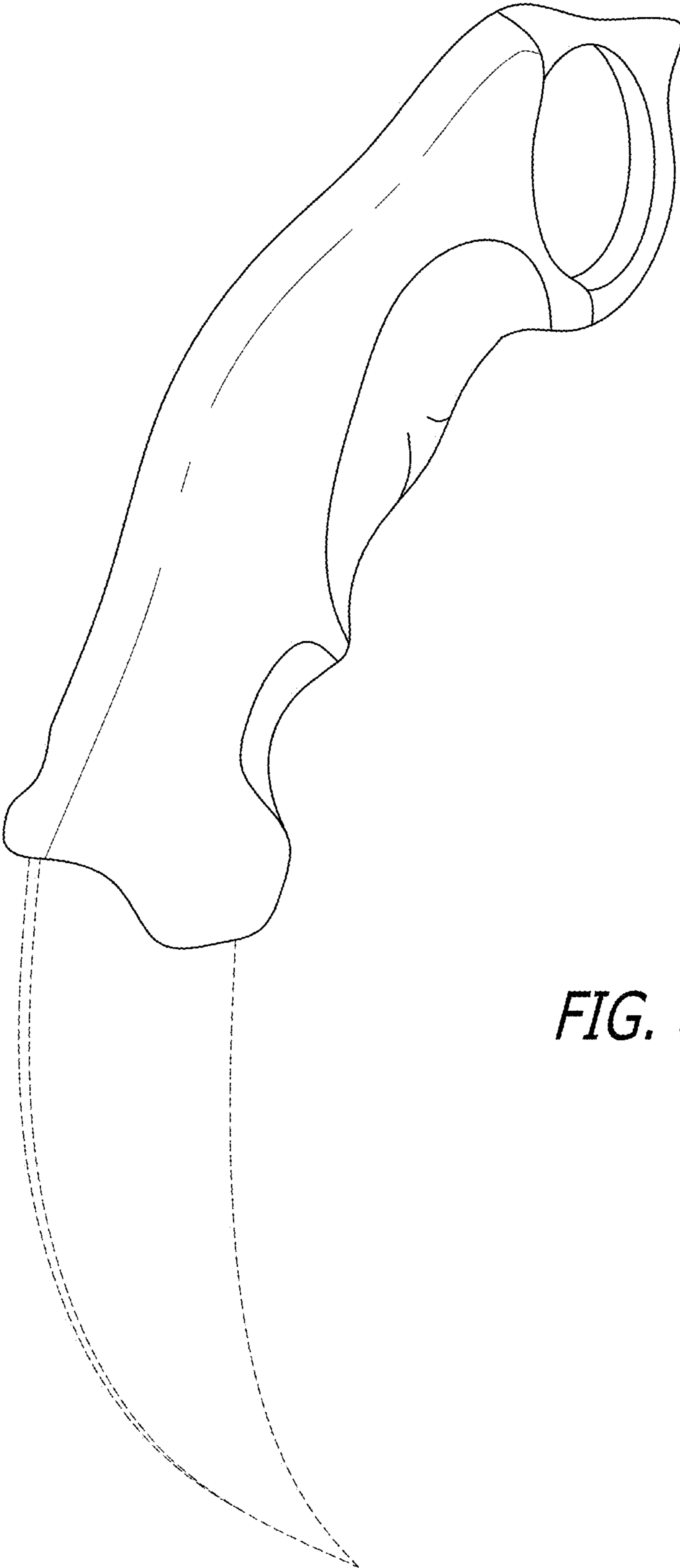


FIG. 8

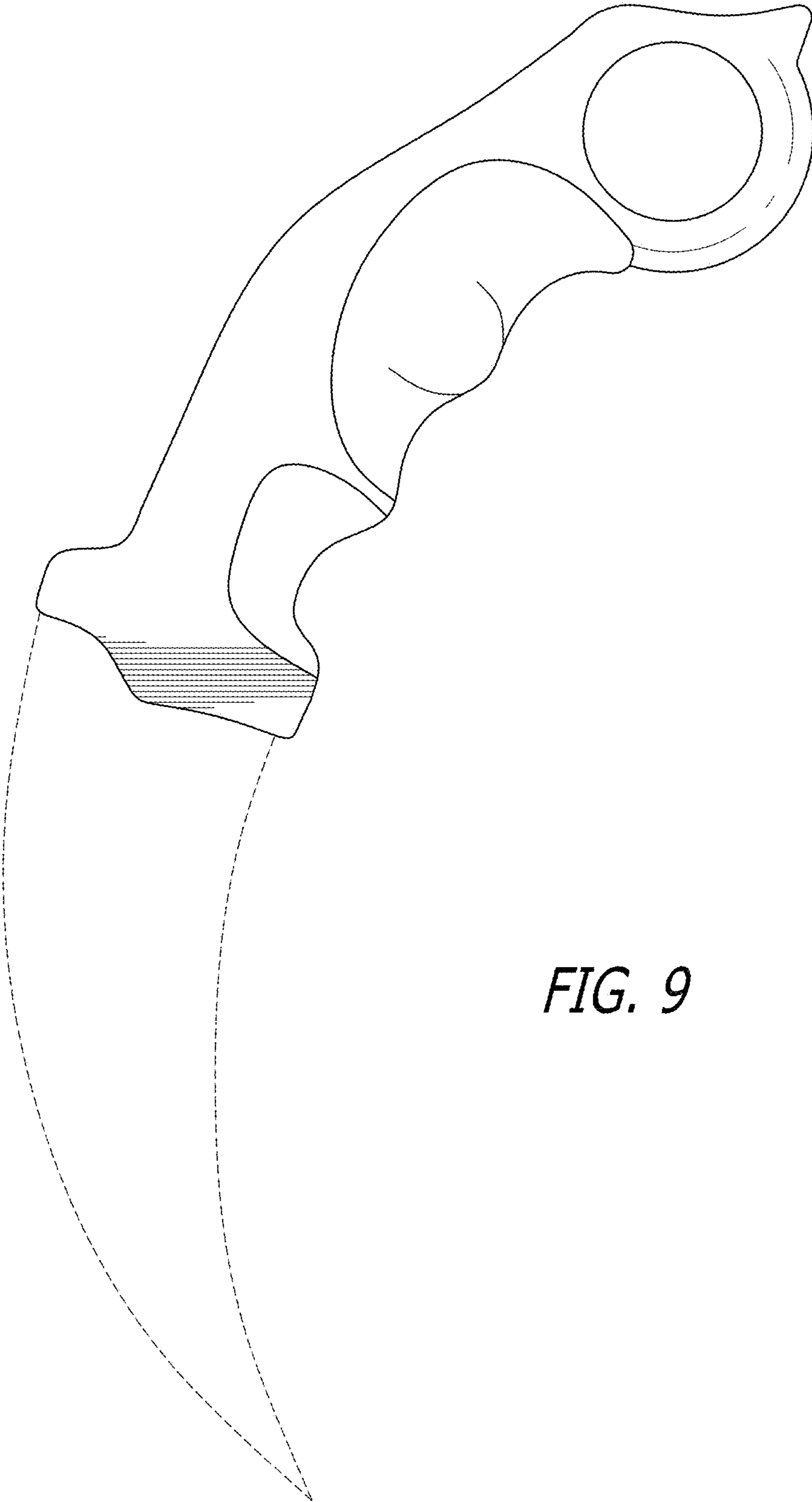


FIG. 9