



US00D972062S

(12) **United States Design Patent** (10) **Patent No.:** **US D972,062 S**  
**Wu** (45) **Date of Patent:** **\*\* Dec. 6, 2022**

(54) **TENT**  
(71) Applicant: **Shenzhen Dream Journey Travel Products Co., Ltd., Shenzhen (CN)**

D870,226 S 12/2019 Mundy et al.  
D872,210 S 1/2020 Zhu  
D907,155 S \* 1/2021 Senchuk ..... D21/837  
D910,138 S 2/2021 Chen  
2006/0102216 A1\* 5/2006 You ..... E04H 15/001  
135/90  
2013/0061898 A1\* 3/2013 Webster ..... E04H 15/18  
135/156

(72) Inventor: **QingSong Wu, Shenzhen (CN)**

(\*\*) Term: **15 Years**

(Continued)

(21) Appl. No.: **29/783,438**

**OTHER PUBLICATIONS**

(22) Filed: **May 13, 2021**

Sun Ninja Pop Up Beach Tent Sun Shelter, Date First Available May 8, 2020 [online], [site visited Sep. 7, 2021]. Available from Internet: <URL:https://amazon.com/SUN-NINJA-Stability-Backyard-Turquoise/dp/B087CBLLWV/> (Year: 2020).\*

(51) **LOC (13) Cl.** ..... **21-04**

(52) **U.S. Cl.**  
USPC ..... **D21/837**

(Continued)

(58) **Field of Classification Search**  
USPC ..... D21/834-839; D25/56  
CPC ..... E04H 15/00; E04H 15/003; E04H 15/18;  
E04H 15/32; E04H 15/54; E04H 15/58;  
E04H 15/60; E04H 15/28  
See application file for complete search history.

*Primary Examiner* — Cynthia M. Chin  
(74) *Attorney, Agent, or Firm* — Rumit Ranjit Kanakia

(56) **References Cited**

(57) **CLAIM**

The ornamental design for a tent, as shown and described.

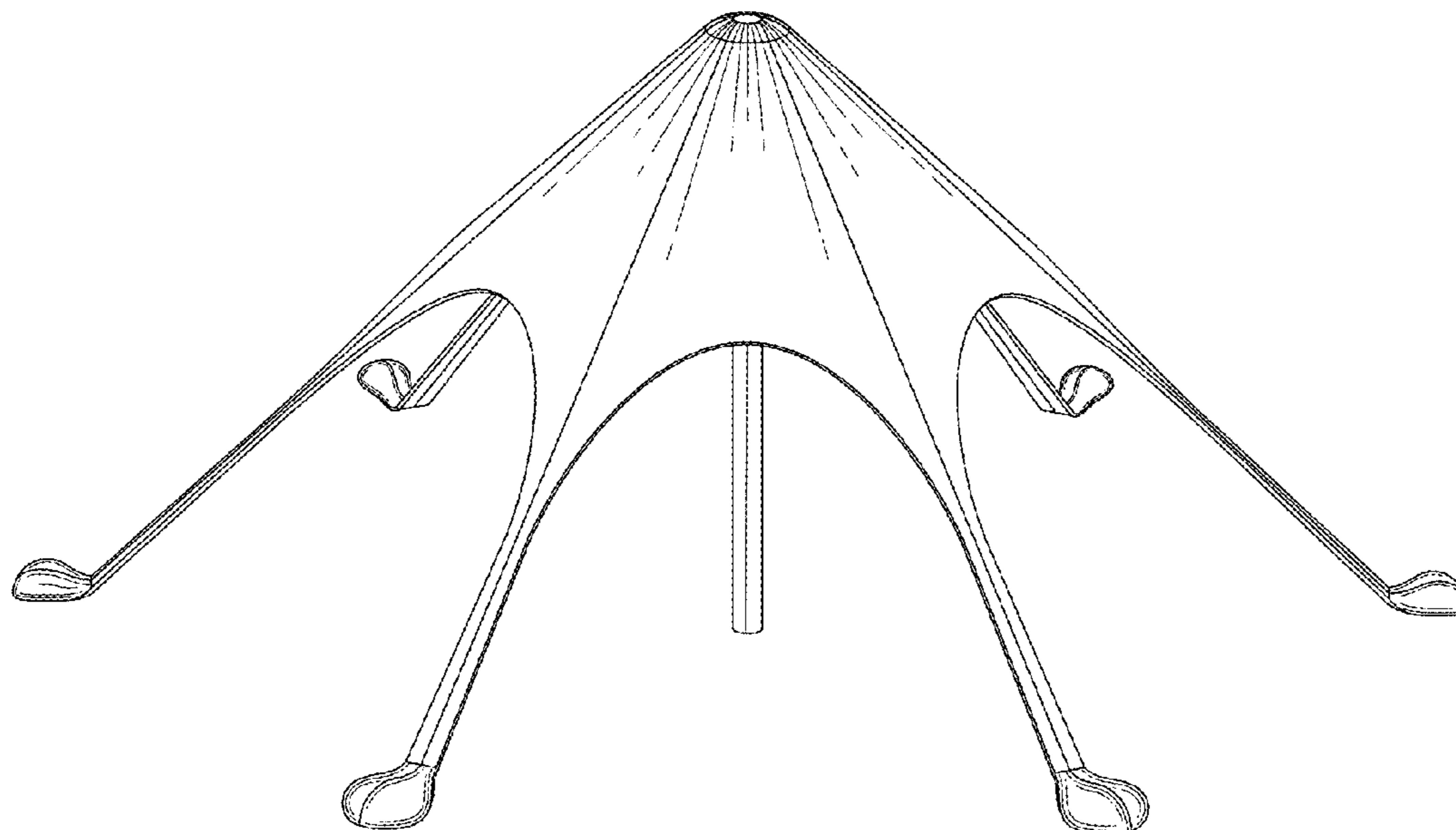
**U.S. PATENT DOCUMENTS**

**DESCRIPTION**

3,016,115 A \* 1/1962 Harrison ..... E04H 1/12  
D21/837  
5,000,211 A \* 3/1991 Speare ..... E04H 15/58  
52/16  
5,036,874 A \* 8/1991 Lynch ..... E04H 15/26  
33/1 G  
D326,133 S \* 5/1992 Lynch ..... D21/837  
5,234,011 A \* 8/1993 Lynch ..... E04H 15/58  
135/114  
5,918,614 A \* 7/1999 Lynch ..... E04H 15/54  
135/114  
D445,916 S \* 7/2001 Pritchard ..... D25/56  
D778,383 S 2/2017 Xu  
D779,611 S \* 2/2017 Seddon ..... D21/834  
9,803,387 B2 \* 10/2017 Groesel ..... E04H 12/2246  
D822,783 S 7/2018 Xu  
D827,081 S \* 8/2018 Seddon ..... D21/837

FIG. 1 is a front perspective view of a tent showing my new design;  
FIG. 2 is a front view thereof;  
FIG. 3 is a back view thereof;  
FIG. 4 is a right-side view thereof;  
FIG. 5 is a left-side view thereof;  
FIG. 6 is a top view thereof;  
FIG. 7 is a wttom view thereof; and,  
FIG. 8 is a front view of the tent shown with connected screws.  
The broken lines in FIG. 8 represent the environment in which the article resides and form no part of the claimed design.

**1 Claim, 8 Drawing Sheets**



(56)

**References Cited**

U.S. PATENT DOCUMENTS

2014/0261597 A1\* 9/2014 Lin ..... E04H 15/28  
135/98  
2017/0152673 A1\* 6/2017 Fraser ..... E04H 15/28  
2019/0218814 A1\* 7/2019 Fraser ..... E04H 15/003  
2020/0221835 A1\* 7/2020 Cox ..... E04H 15/28

OTHER PUBLICATIONS

BOTINDO Family Beach Tent Sunshade, Reviewed and online as early as Apr. 26, 2021 [online], [site visited Sep. 7, 2021]. Available from Internet: <URL:https://amazon.com/BOTINDO-Sunshade-Shelter-Backyard-Outdoors/dp/B08R5Z138S/> (Year: 2021).\*

Ninja Sun Working 1080, Uploaded by Sun Ninja on YouTube Mar. 30, 2020 [online], [site visited Sep. 7, 2021]. Available from Internet: <URL:https://www.youtube.com/watch?v=bJdA85xtXQQ> (Year: 2020).\*

#SunNinjaTents posted on Instagram Apr. 29, 2020 by sunninjatents [online], [site visited Sep. 7, 2021]. Available from Internet: <URL:https://www.instagram.com/p/B\_kDNKYAkpd/> (Year: 2020).\*

\* cited by examiner

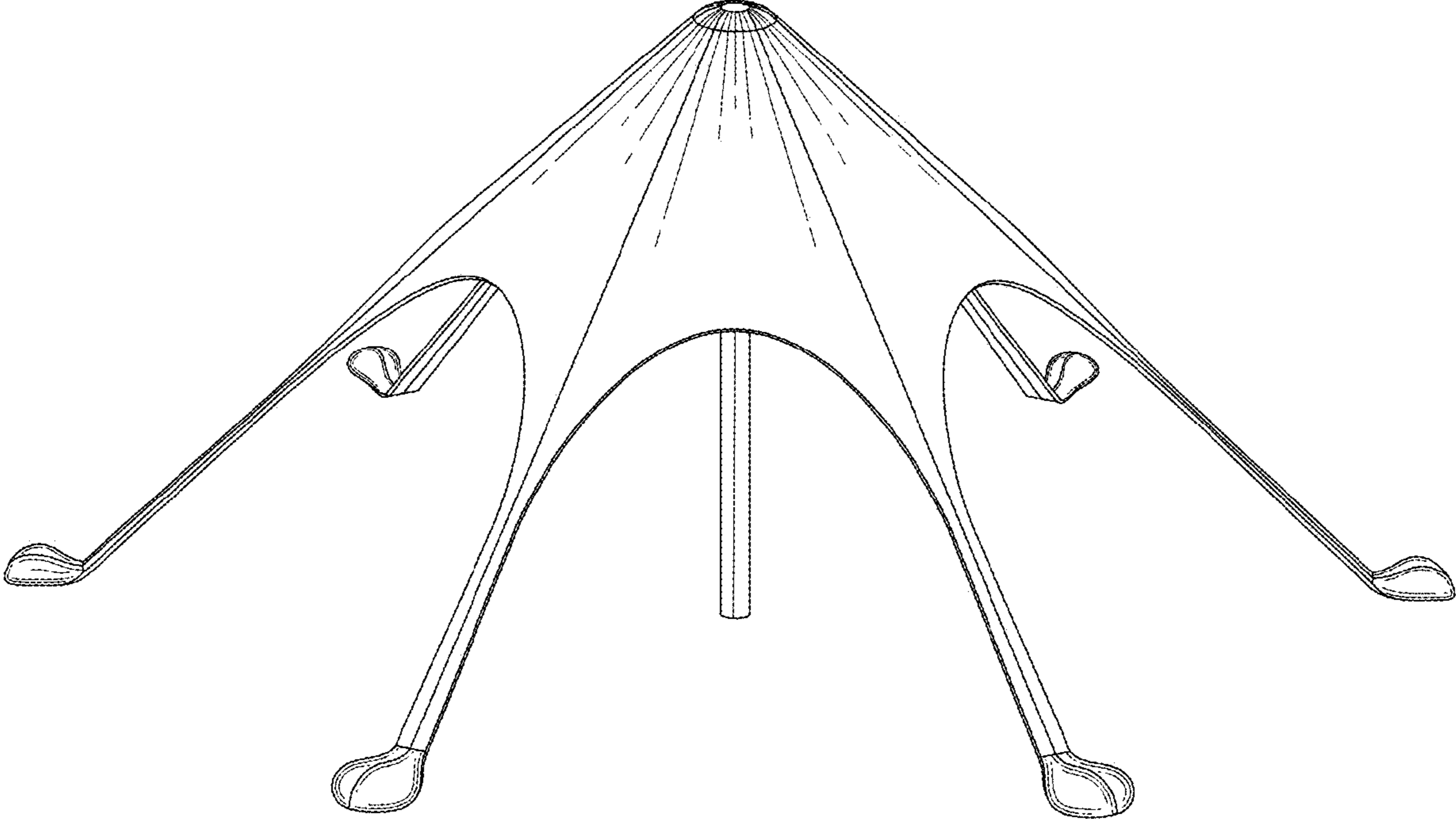


FIG. 1

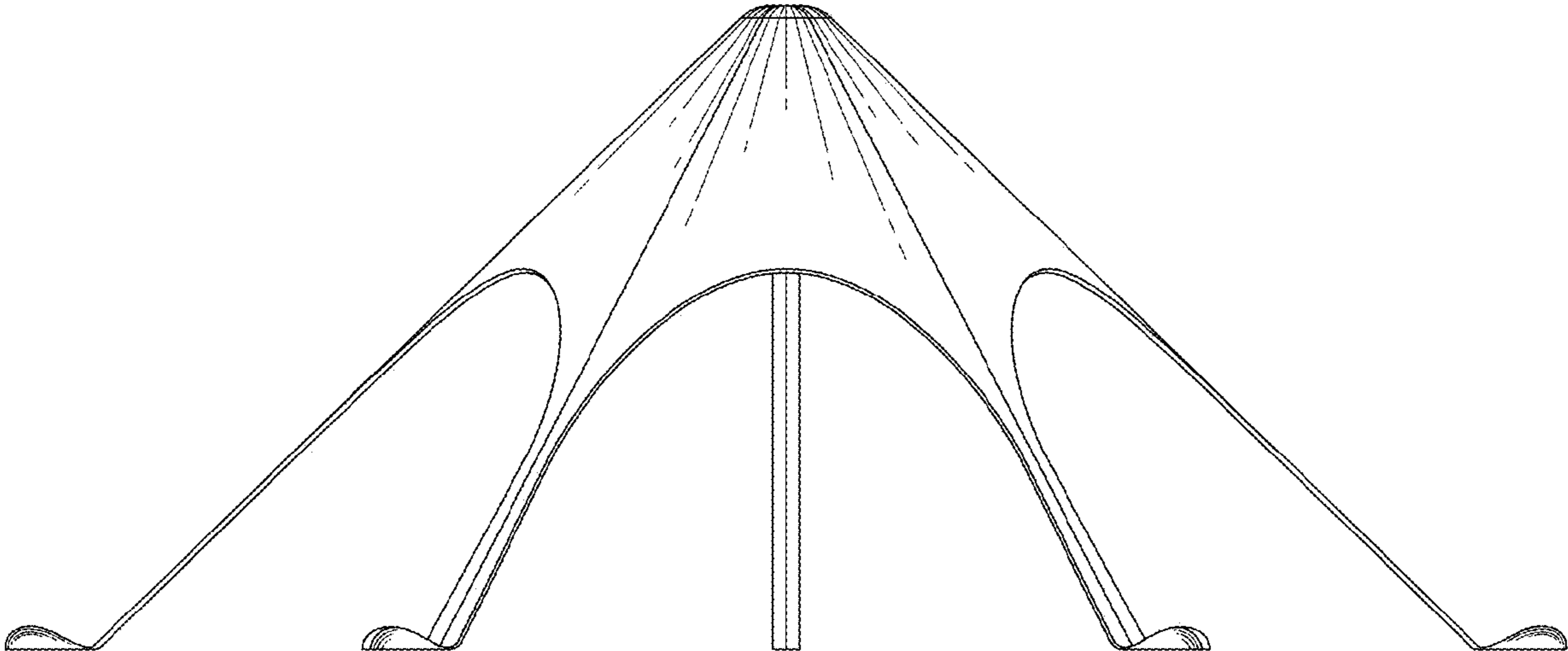


FIG. 2

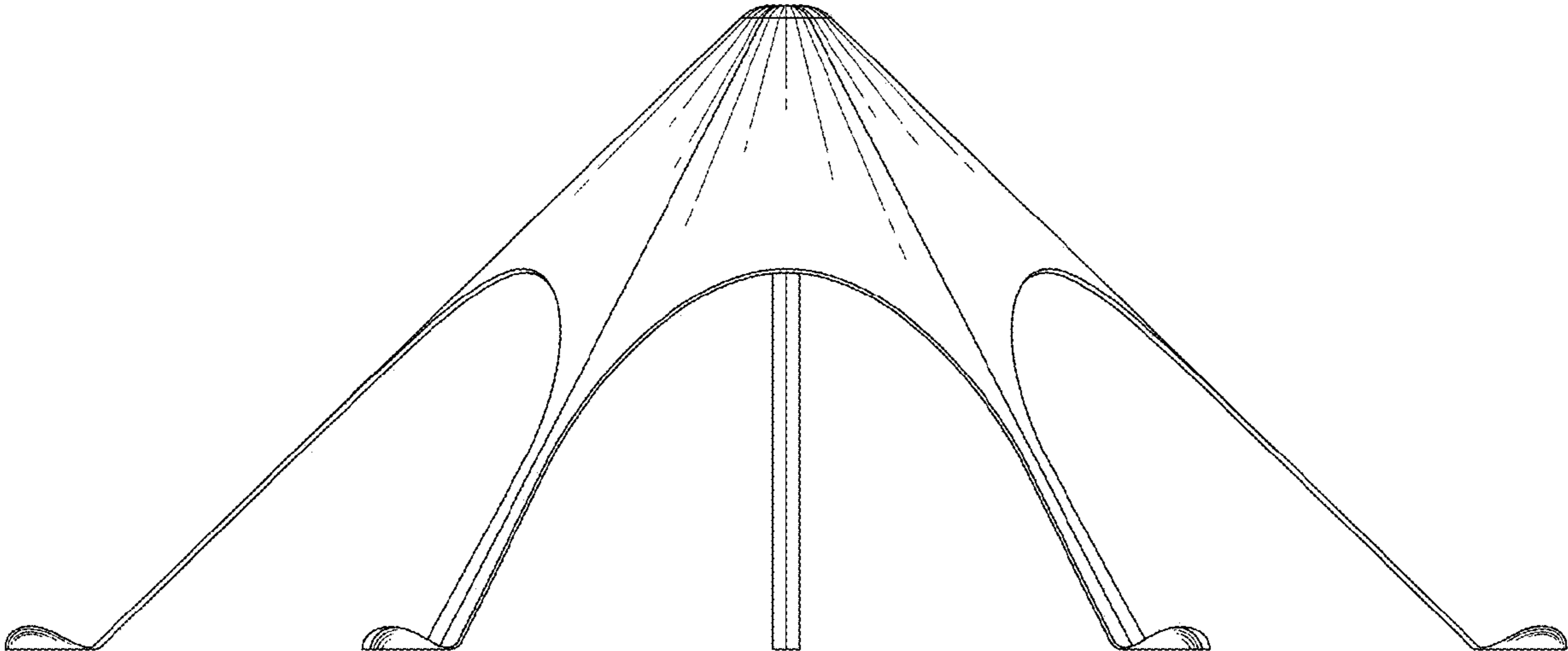


FIG. 3

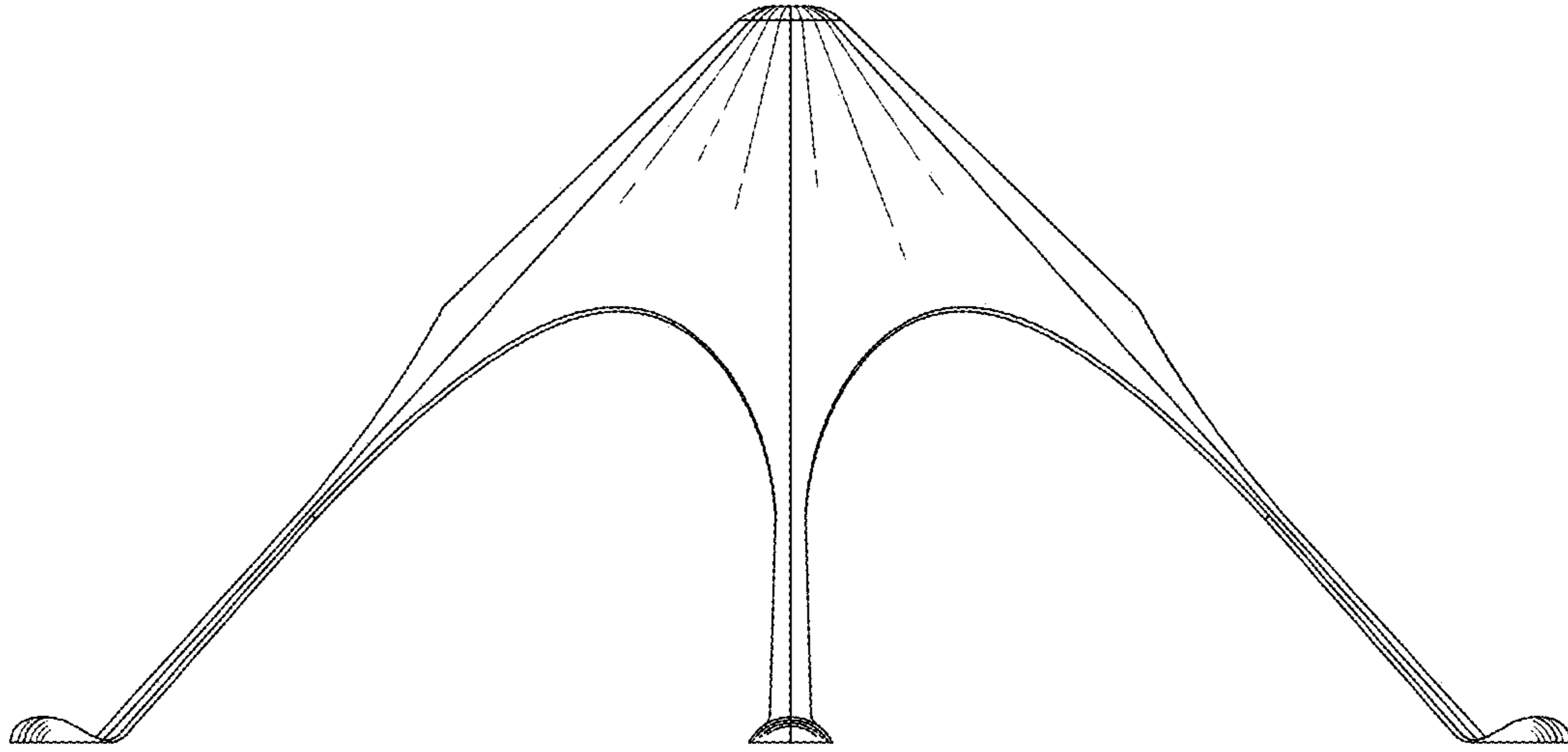


FIG. 4

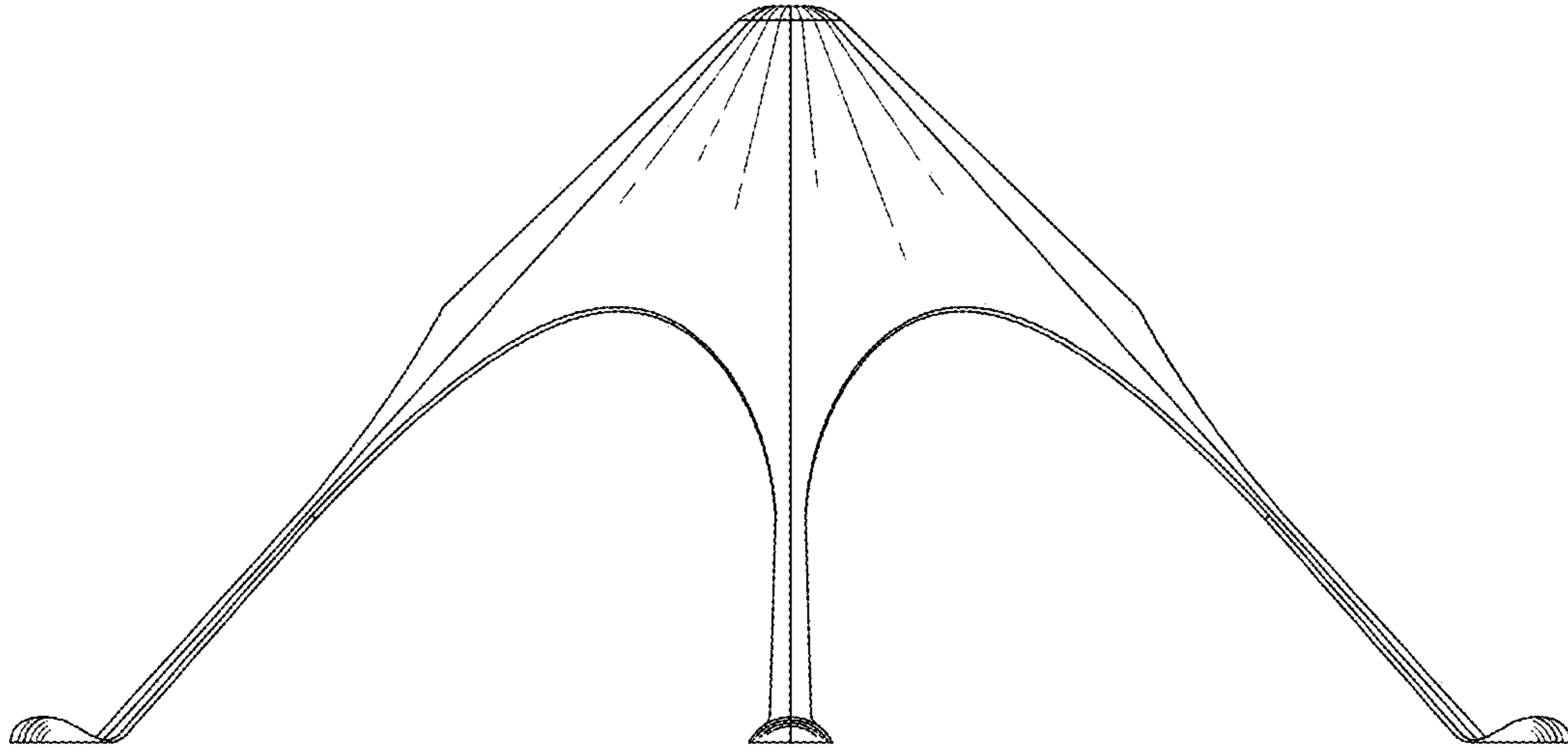


FIG. 5

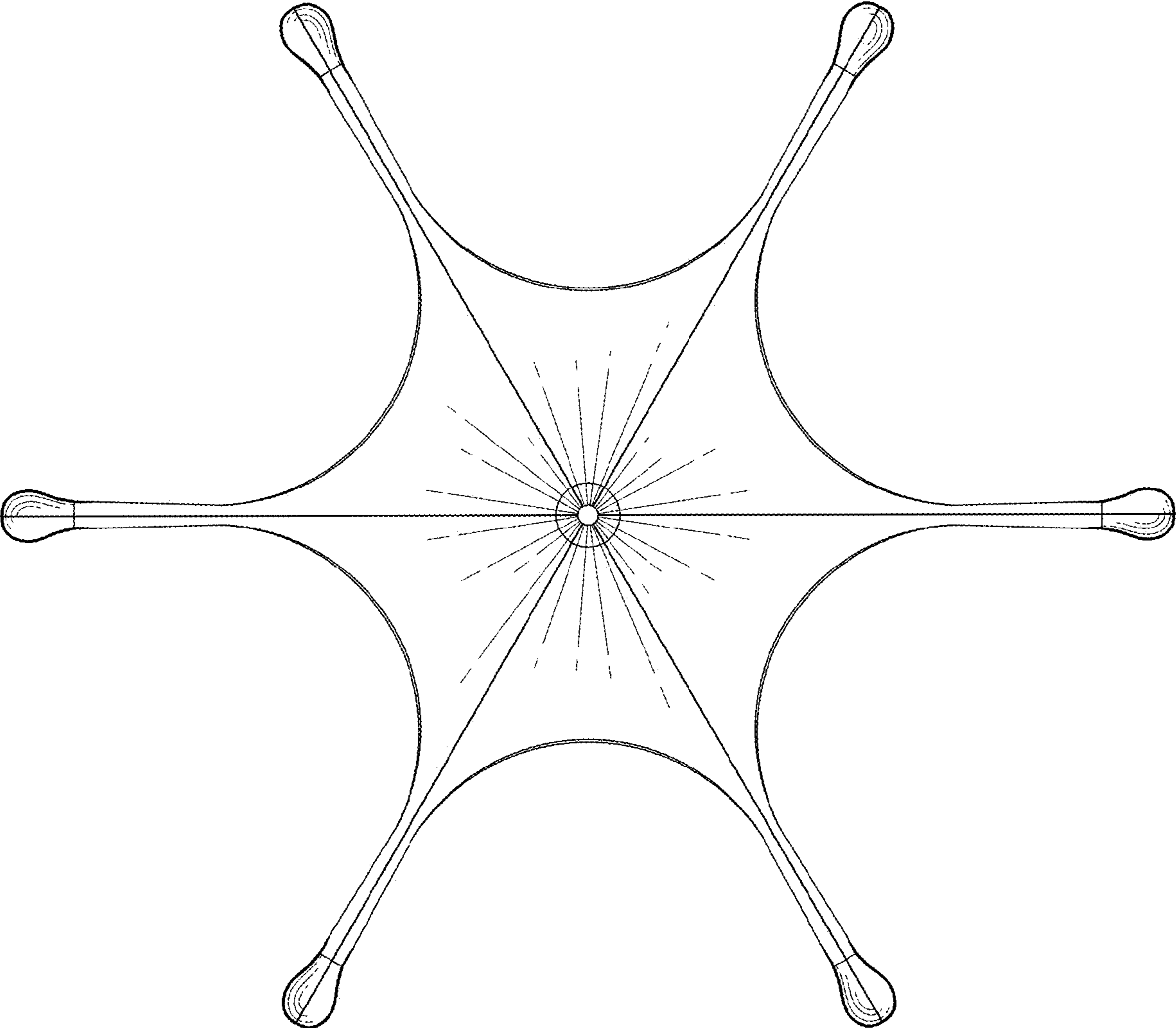


FIG. 6



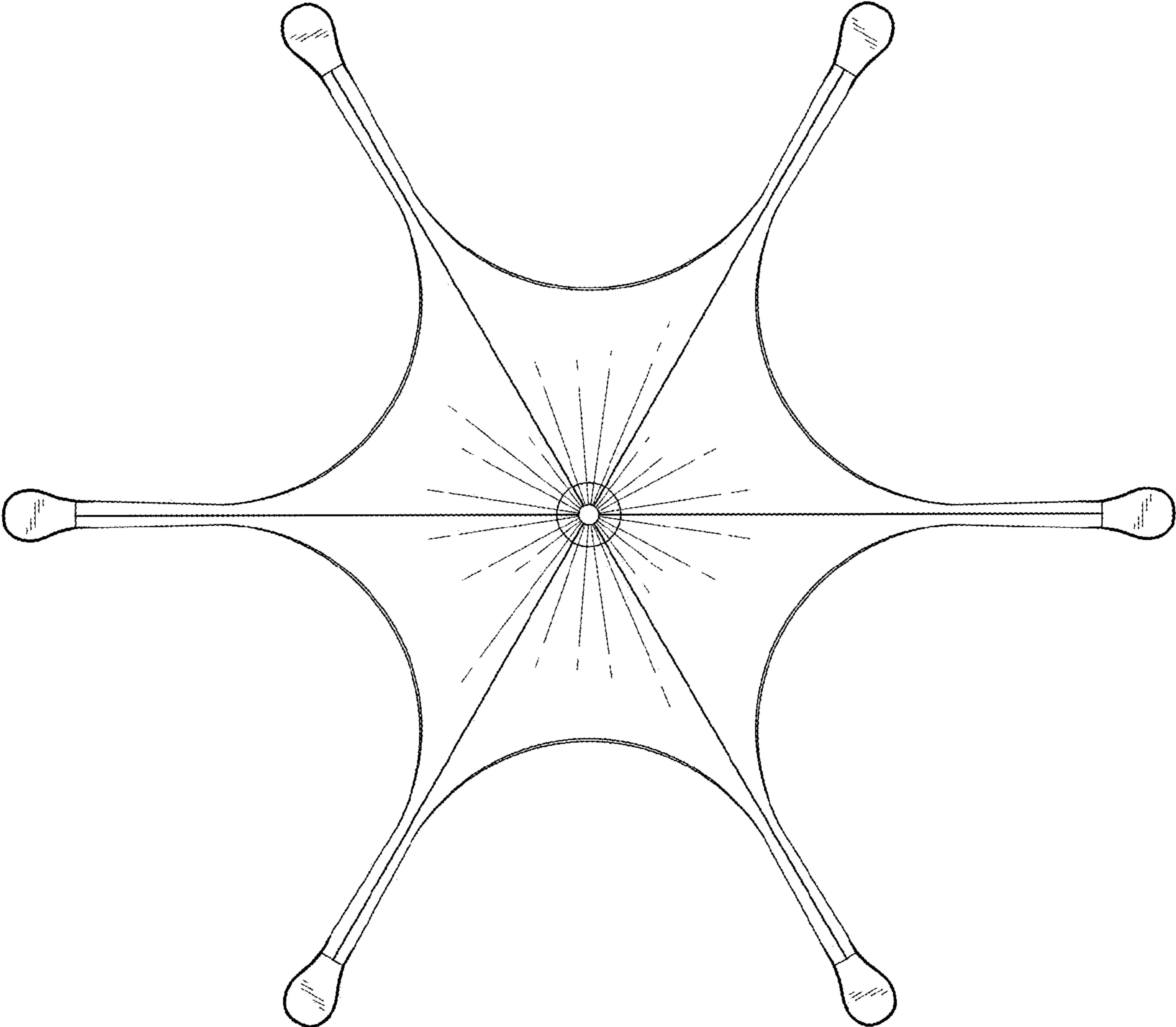


FIG. 7

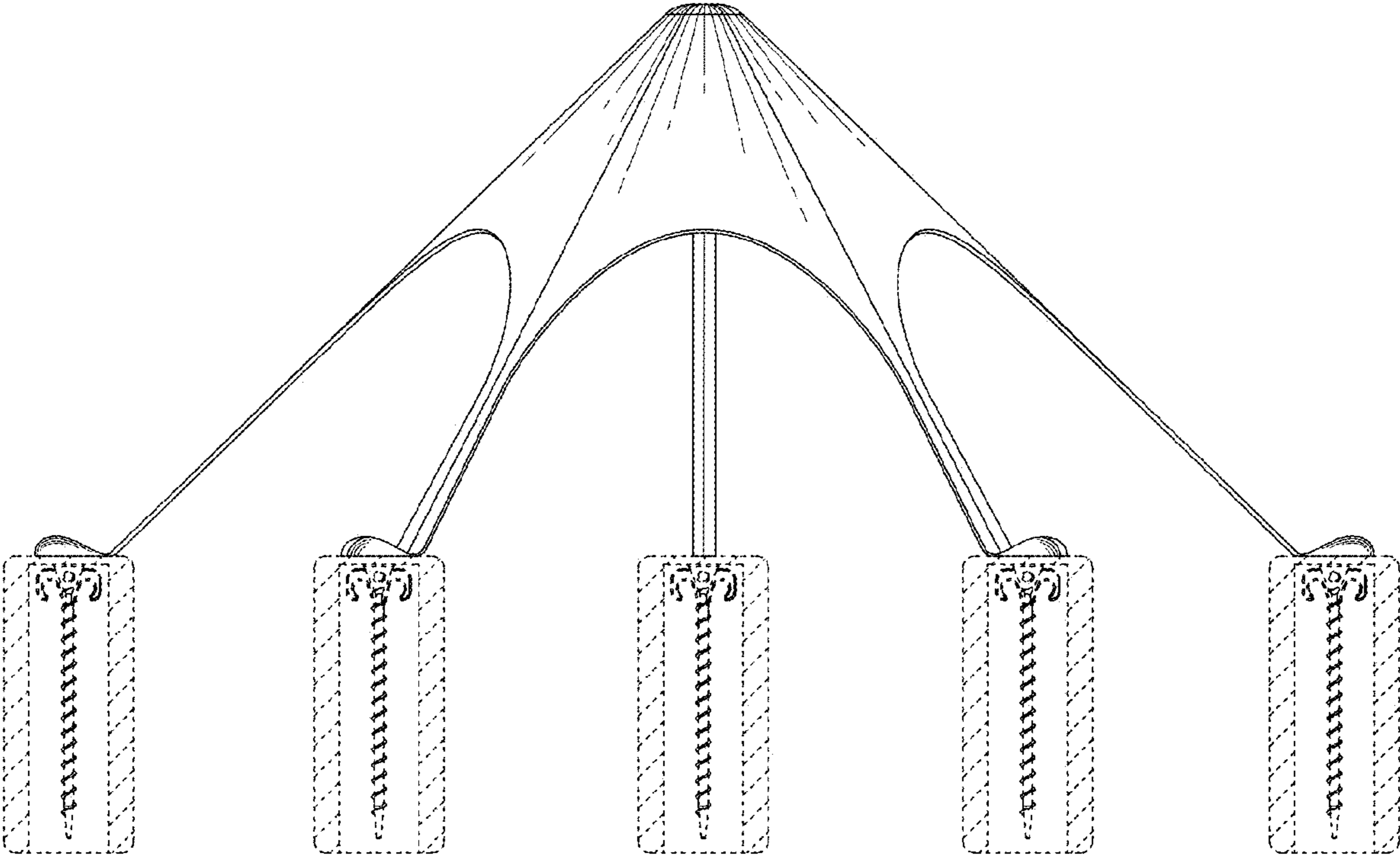


FIG. 8