



US00D972061S

(12) **United States Design Patent** (10) **Patent No.:** **US D972,061 S**  
**Zhang et al.** (45) **Date of Patent:** **\*\* Dec. 6, 2022**

(54) **TENT**

Y10S 135/907; Y10S 135/908; Y10S 135/90; Y10S 135/901; A63H 33/008; A47D 13/063

(71) Applicant: **EAGLE OUTDOOR CAMPING PRODUCTS CO., LTD.**, Quzhou (CN)

See application file for complete search history.

(72) Inventors: **Zhengfeng Zhang**, Quzhou (CN); **Shuaiguang Deng**, Quzhou (CN); **Huifen Wu**, Quzhou (CN)

(56) **References Cited**

U.S. PATENT DOCUMENTS

(73) Assignee: **EAGLE OUTDOOR CAMPING PRODUCTS CO., LTD.**, Quzhou (CN)

D194,182 S \* 12/1962 Young ..... D12/403  
3,375,836 A \* 4/1968 Domeneghetti ..... E04H 15/06  
135/132  
D270,928 S \* 10/1983 Brassier ..... D21/838

(\*\*) Term: **15 Years**

(Continued)

(21) Appl. No.: **29/767,273**

OTHER PUBLICATIONS

(22) Filed: **Jan. 21, 2021**

Roof Top Tent Front Runner. Date First Available: Jan. 9, 2015. Retrieved from internet: <<https://www.amazon.com/dp/B00S1Q89SU>> [site visited Jun. 14, 2022] (Year: 2015).\*

(30) **Foreign Application Priority Data**

(Continued)

Dec. 31, 2020 (CN) ..... 202030828200.2  
Dec. 31, 2020 (CN) ..... 202030828343.3

*Primary Examiner* — Katherine Glennon

*Assistant Examiner* — Yuan Yuan

(51) **LOC (13) Cl.** ..... **21-04**

(74) *Attorney, Agent, or Firm* — Muncy, Geissler, Olds & Lowe, P.C.

(52) **U.S. Cl.**

USPC ..... **D21/834**

(57) **CLAIM**

The ornamental design for a tent, as shown and described.

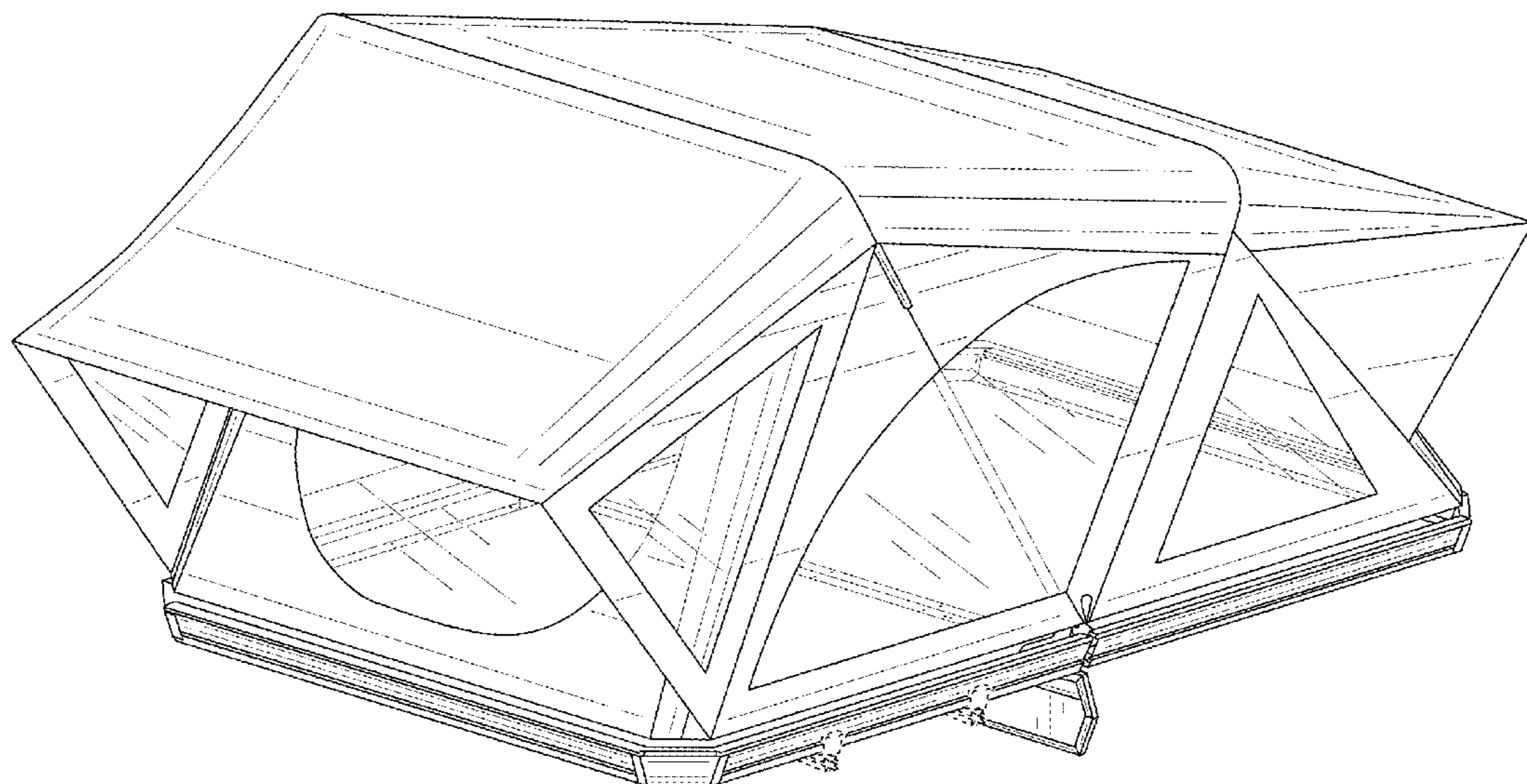
(58) **Field of Classification Search**

**DESCRIPTION**

USPC ..... D21/834-840; D25/32, 16, 17, 56, 57, D25/18, 22, 1; D12/401-404; D30/108  
CPC ..... E04H 15/00; E04H 15/02; E04H 15/18; E04H 15/32; E04H 15/34; E04H 15/001; E04H 15/003; E04H 15/005; E04H 15/006; E04H 15/008; E04H 15/06; E04H 15/08; E04H 15/14; E04H 15/16; E04H 15/20; E04H 15/22; E04H 15/26; E04H 15/28; E04H 15/30; E04H 15/60; E04H 15/62; E04H 15/54; E04H 15/40; E04H 15/42; E04H 15/425; E04H 15/36; E04H 15/38; E04H 2015/201-204; E04H 15/50; E04H 15/44; E04H 15/46; E04H 15/48; E04H 2015/205-209; E04H 6/005; E04H 15/58; Y10S 135/902; Y10S 135/904;

FIG. 1 is a front elevational view of a tent showing our new design;  
FIG. 2 is a rear elevational view thereof;  
FIG. 3 is a right side view thereof;  
FIG. 4 is a left side view thereof;  
FIG. 5 is a top plan view thereof;  
FIG. 6 is a bottom plan view thereof;  
FIG. 7 is a perspective view thereof; and,  
FIG. 8 is another perspective view thereof.  
The broken lines illustrate portions of the tent which form no part of the claimed design.

**1 Claim, 8 Drawing Sheets**



(56)

**References Cited**

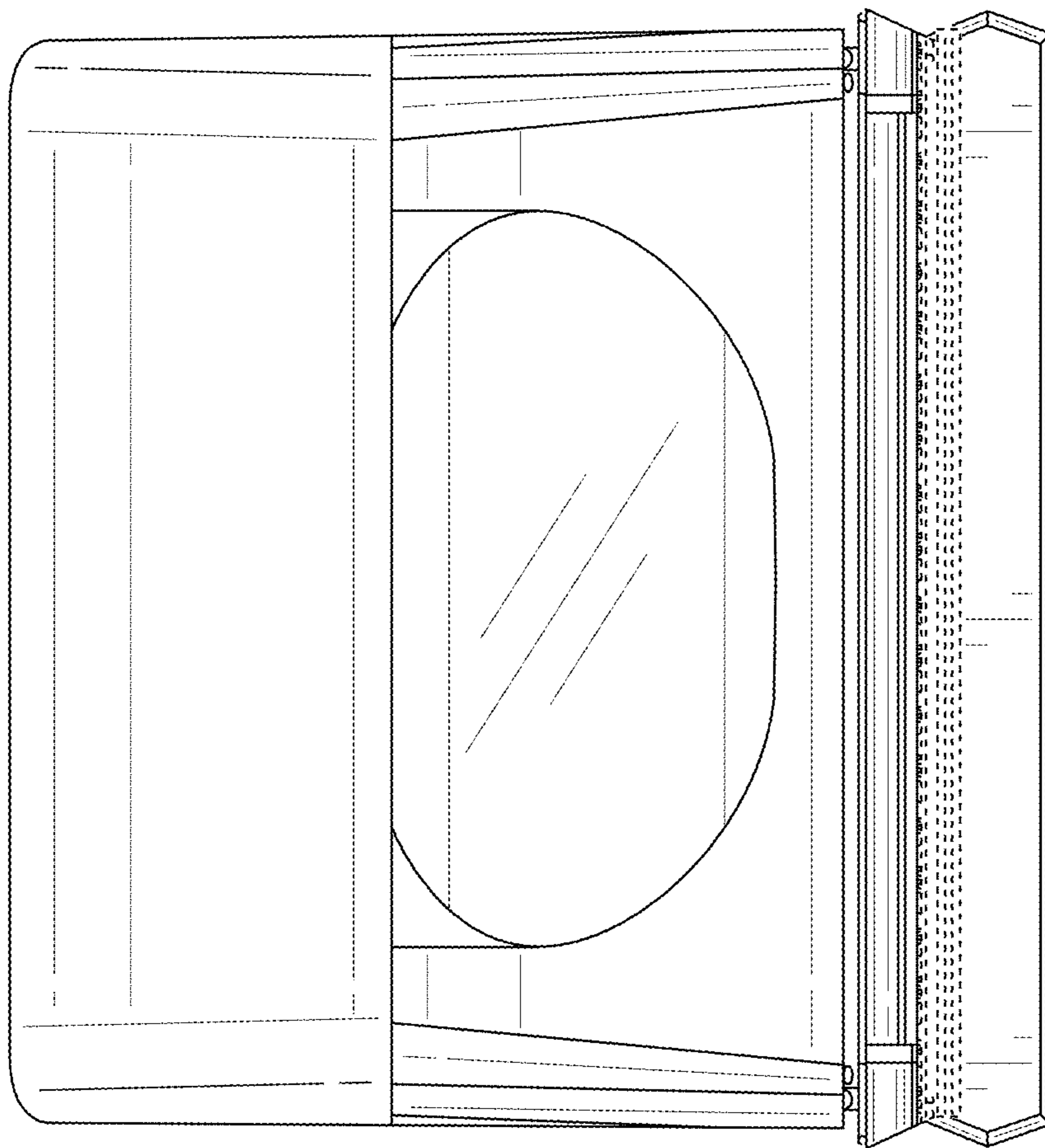
U.S. PATENT DOCUMENTS

D292,566	S	*	11/1987	Racicot	.....	D12/403
D328,062	S	*	7/1992	Burgess	.....	D12/404
D390,908	S	*	2/1998	Lah	.....	D21/834
D418,572	S	*	1/2000	Ju	.....	D21/834
D519,595	S	*	4/2006	Goodwin	.....	D21/834
D583,746	S	*	12/2008	Napieraj	.....	D12/403
9,567,767	B2	*	2/2017	Kendrick	.....	E04H 15/06
D836,742	S	*	12/2018	Hill	.....	D21/834
D840,488	S	*	2/2019	Cha	.....	D21/834
D851,194	S	*	6/2019	Kidson	.....	D12/103
D864,034	S	*	10/2019	Hill	.....	D12/103
D864,035	S	*	10/2019	Hill	.....	D12/103
10,753,120	B2	*	8/2020	Reeder	.....	E04H 15/06
11,028,613	B2	*	6/2021	Harrison	.....	E04H 15/20
D936,521	S	*	11/2021	Zhang	.....	D12/103
D936,522	S	*	11/2021	Zhang	.....	D12/103
D937,959	S	*	12/2021	Park	.....	D21/834
D937,960	S	*	12/2021	Park	.....	D21/834

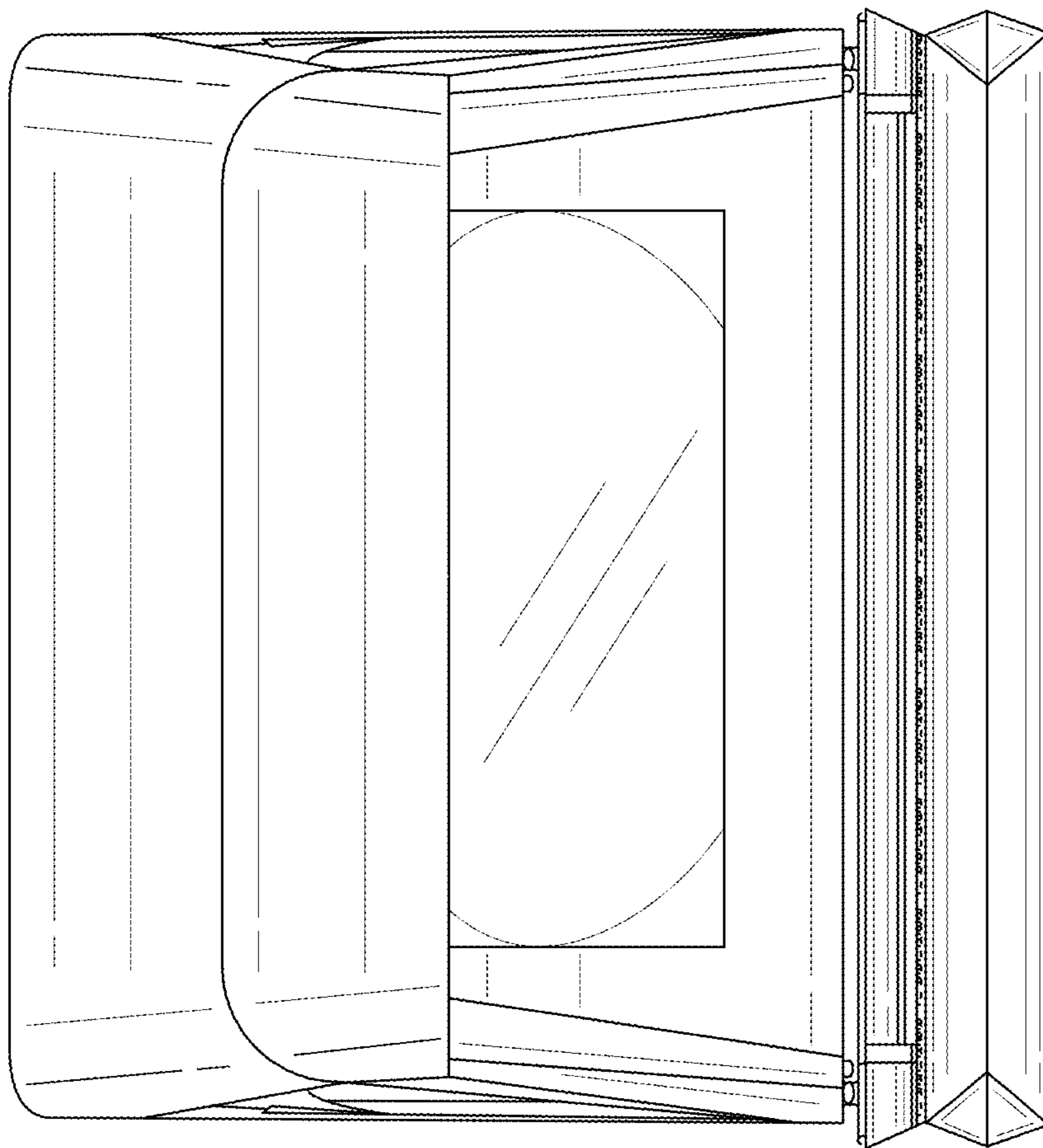
OTHER PUBLICATIONS

ROAM Vagabond Roof Top Tent—Complete Install and Overview.  
 Date Posted: May 25, 2021. Retrieved from internet: <<https://trail4runner.com/2021/05/25/roam-vagabond-rooftop-tent-install-review-5th-gen-4runner/>> [site visited Jun. 14, 2022] (Year: 2021).\*

\* cited by examiner

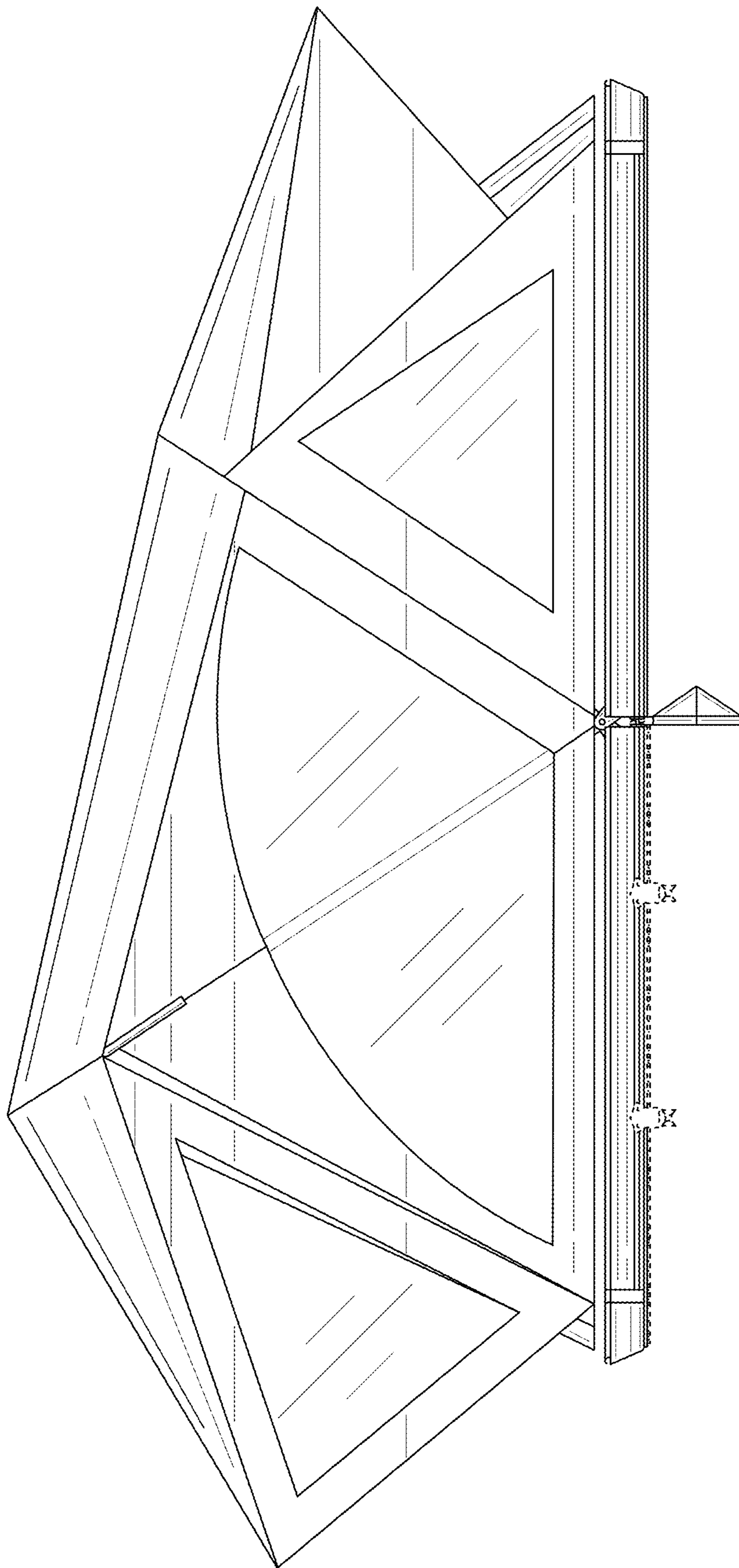


**FIG. 1**

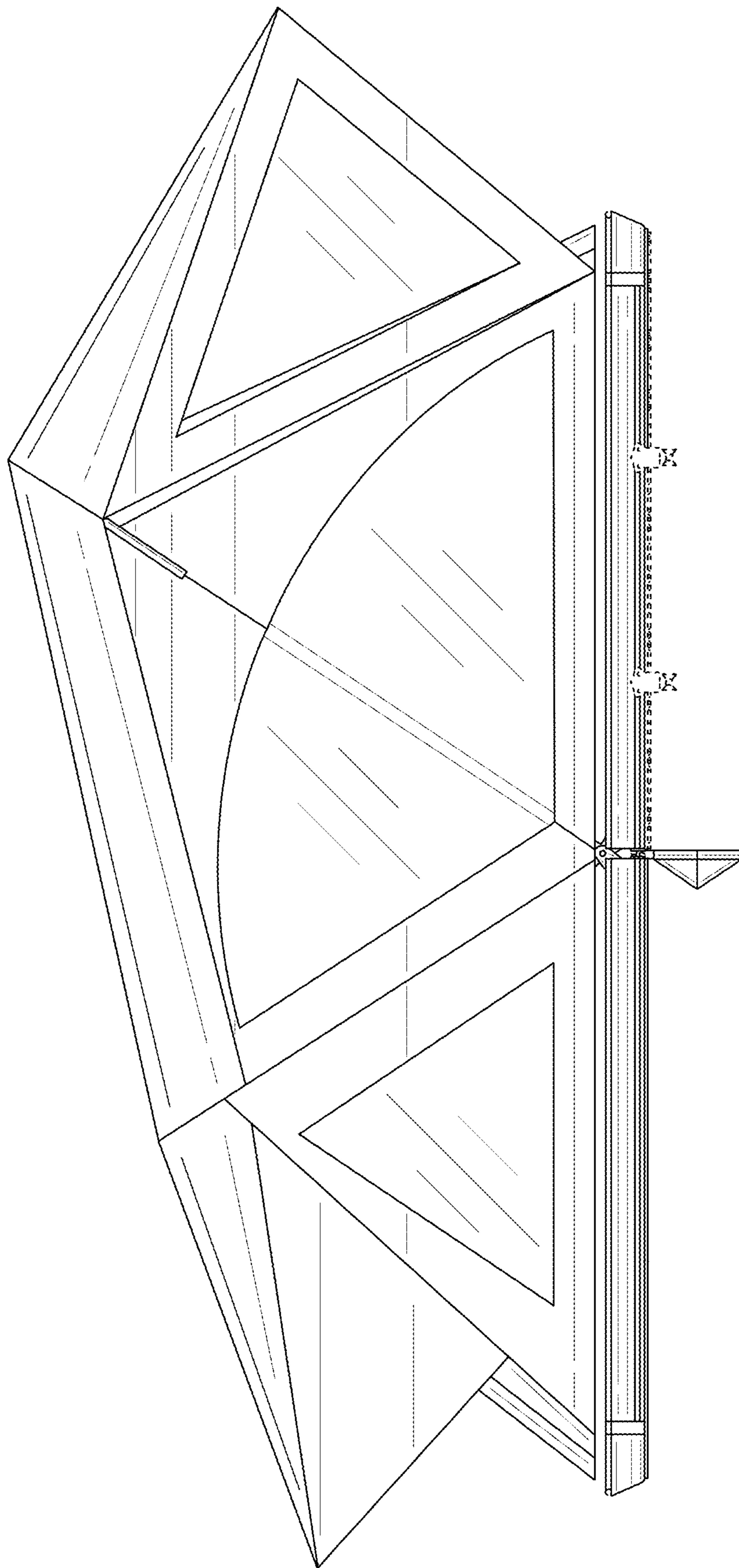


**FIG. 2**

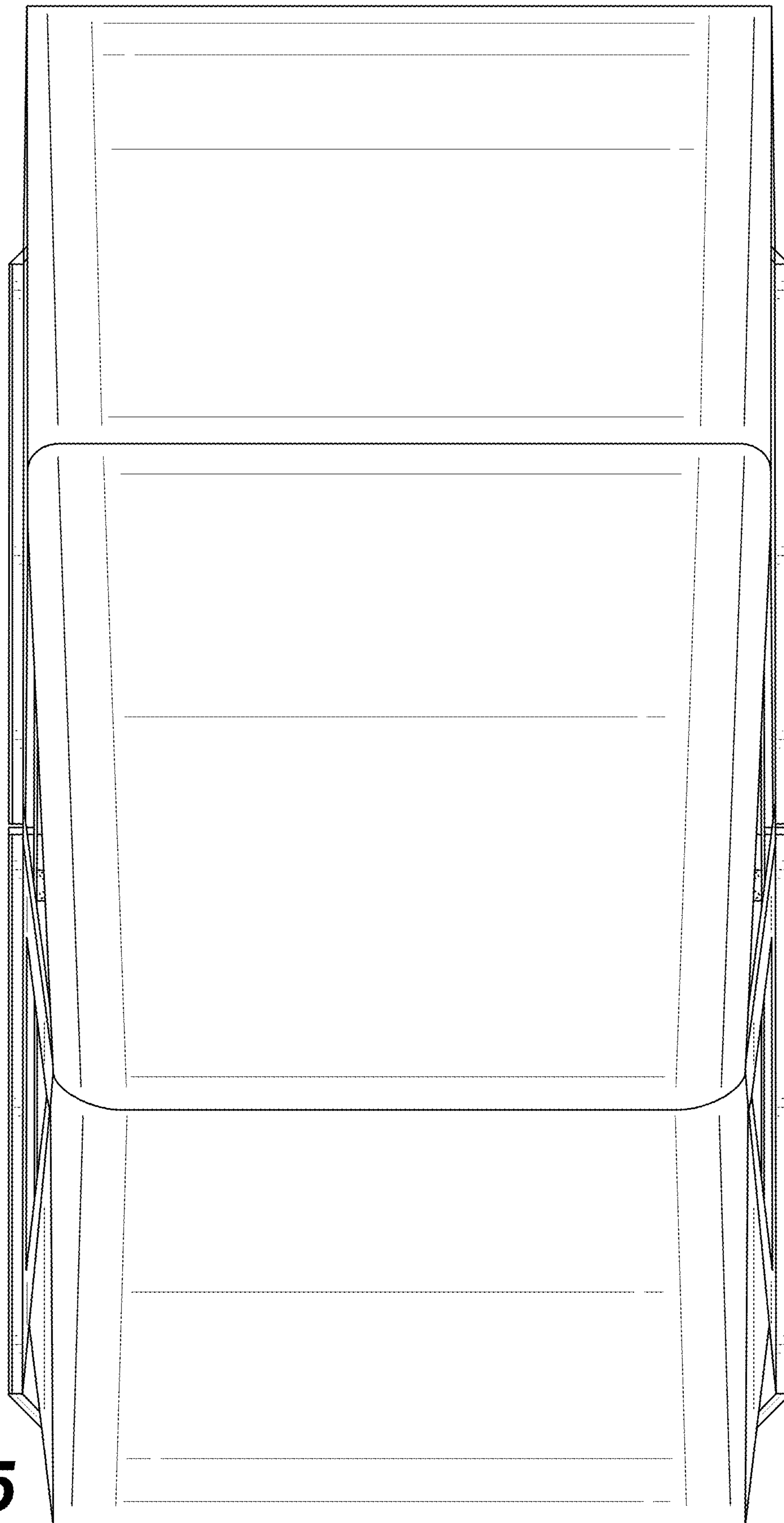




**FIG. 3**

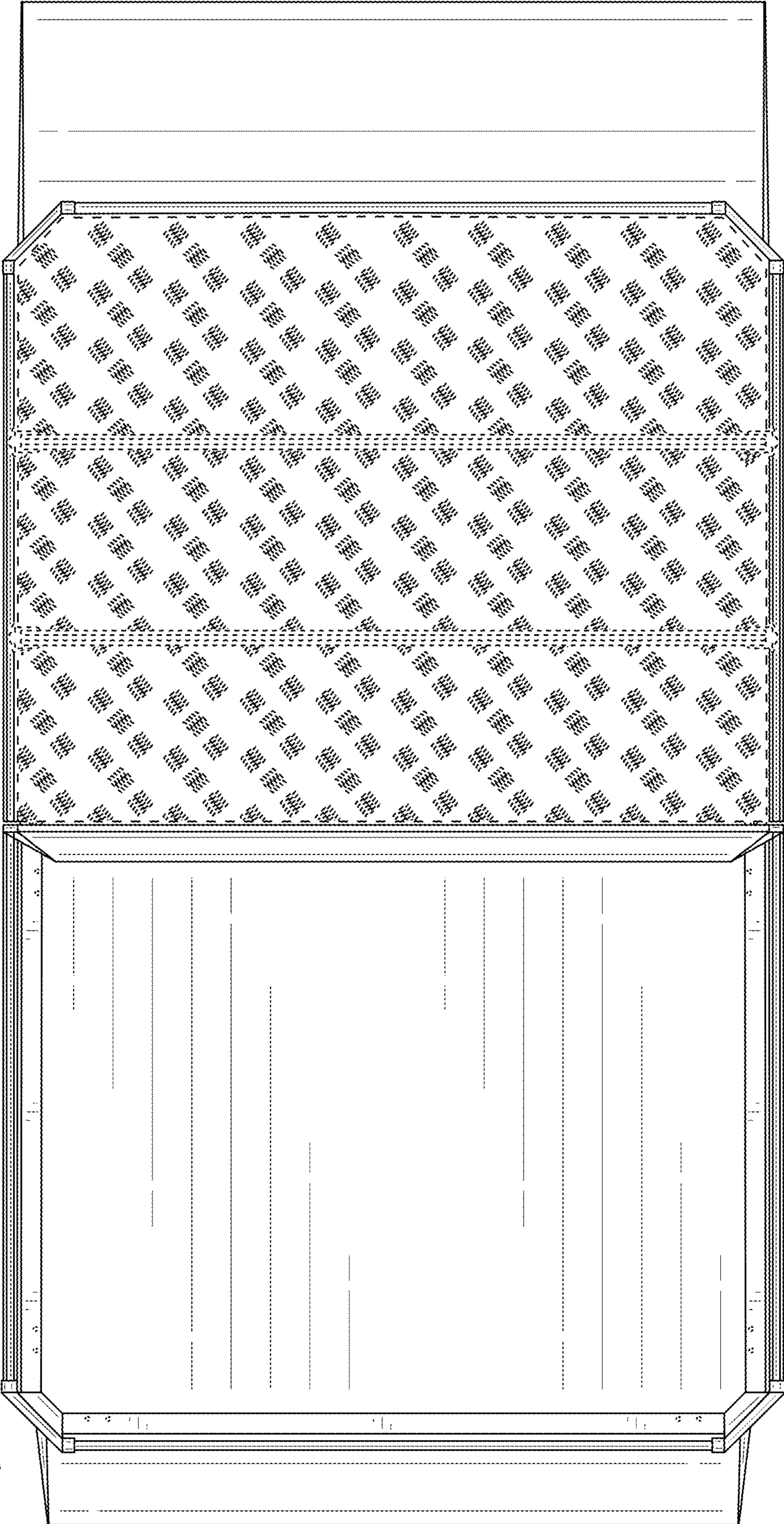


**FIG. 4**



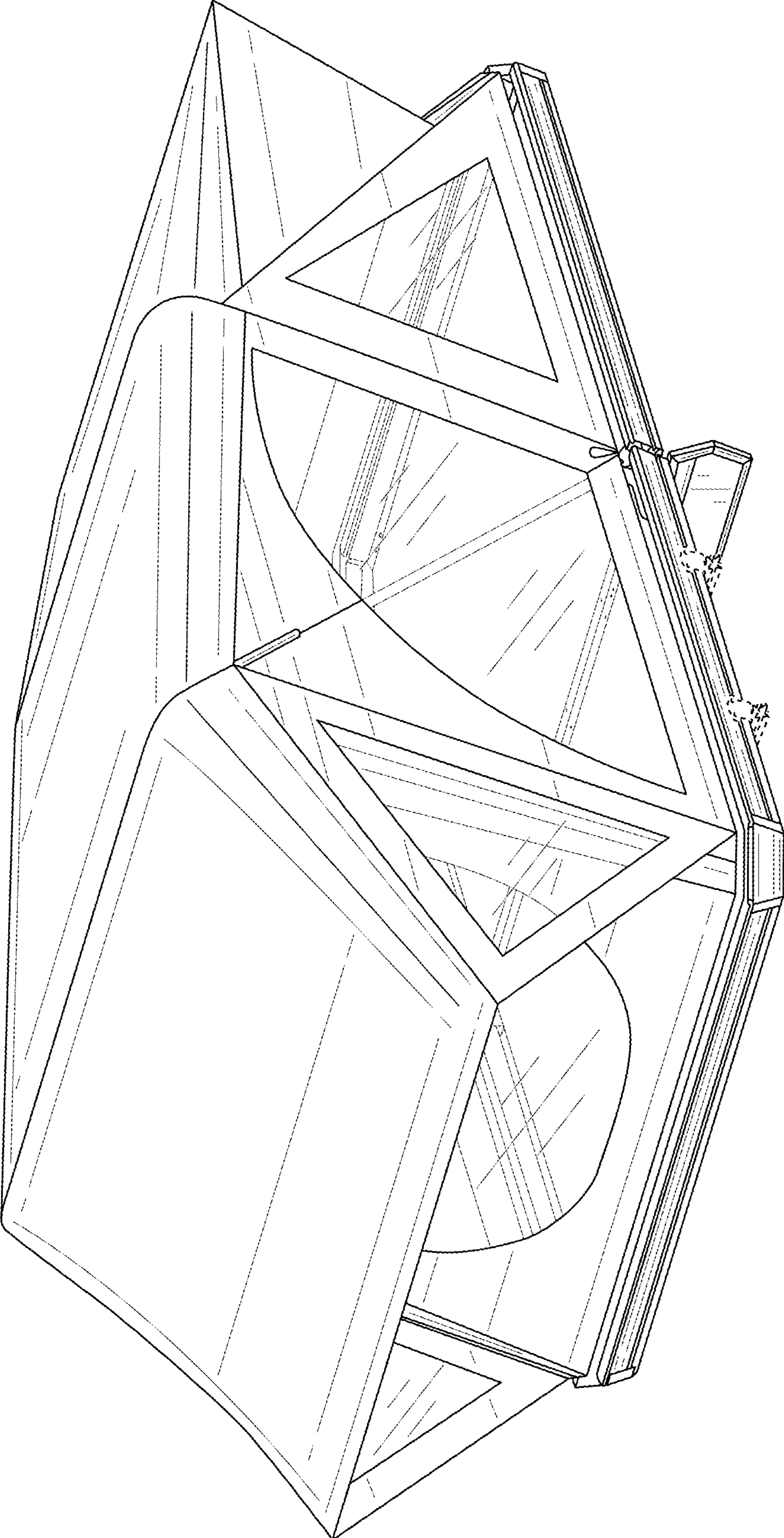
**FIG. 5**



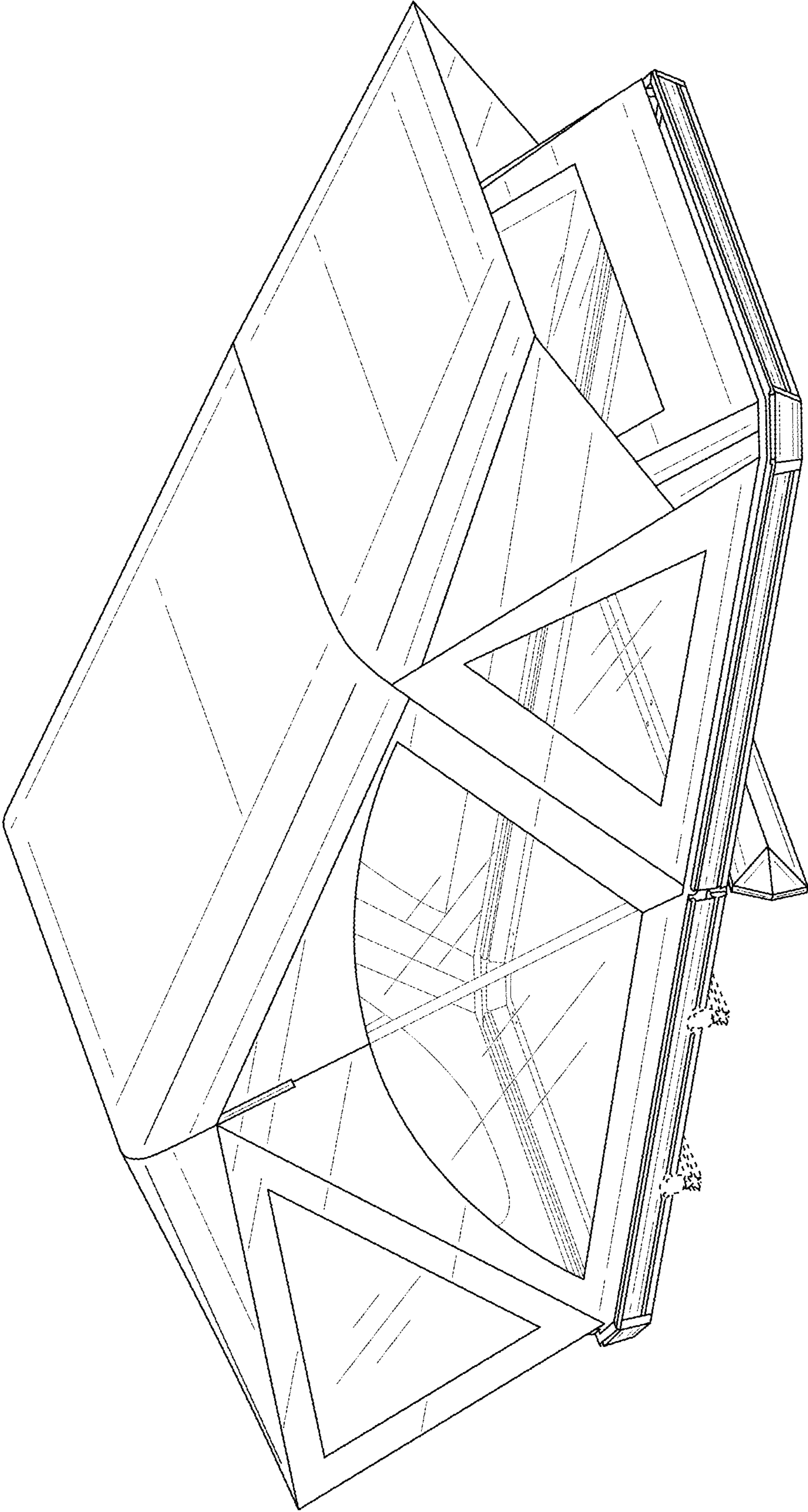


**FIG. 6**





**FIG. 7**



**FIG. 8**