



US00D972057S

(12) **United States Design Patent**  
**Clarke et al.**

(10) **Patent No.:** **US D972,057 S**

(45) **Date of Patent:** **\*\* Dec. 6, 2022**

(54) **GOLF CLUB HEAD**

(71) Applicant: **KARSTEN MANUFACTURING CORPORATION**, Phoenix, AZ (US)

(72) Inventors: **Jacob T. Clarke**, Apex, NC (US);  
**Anthony D. Serrano**, Phoenix, AZ (US); **Murphy R. Alexander**, Scottsdale, AZ (US)

(73) Assignee: **Karsten Manufacturing Corporation**, Phoenix, AZ (US)

(\*\*) Term: **15 Years**

(21) Appl. No.: **29/767,107**

(22) Filed: **Jan. 20, 2021**

(51) **LOC (13) Cl.** ..... **21-02**

(52) **U.S. Cl.**  
USPC ..... **D21/743**

(58) **Field of Classification Search**  
USPC ..... D21/736-746, 759  
CPC ..... A63B 53/00; A63B 53/04; A63B 53/007;  
A63B 53/065; A63B 53/0487; A63B  
60/00; A63B 60/46  
See application file for complete search history.

(56) **References Cited**

**U.S. PATENT DOCUMENTS**

D316,129 S	4/1991	Bryson
D375,131 S	10/1996	Williams
5,685,784 A	11/1997	Butler
D399,899 S	10/1998	Sizemore, Jr.
D399,900 S	10/1998	Hogan
D406,610 S	3/1999	Mitchell
D484,935 S	1/2004	Tang
D488,200 S	4/2004	Olsavsky
D488,526 S	4/2004	Souza
D496,417 S	9/2004	Tang
D500,109 S	12/2004	Solheim

D500,110 S	12/2004	Solheim
6,837,801 B1	1/2005	Souza
6,893,355 B2	5/2005	Souza
D507,317 S	7/2005	Gamer
D507,612 S	7/2005	Souza
D508,273 S	8/2005	Gamer
6,926,615 B1	8/2005	Souza
6,960,140 B2	11/2005	Solheim
6,966,845 B2	11/2005	Solheim
D520,584 S	5/2006	Karlsen
D521,582 S	5/2006	Souza
7,052,411 B2	5/2006	Solheim
D522,598 S	6/2006	Solheim
7,086,957 B2	8/2006	Solheim
D527,777 S	9/2006	Solheim
D529,108 S	9/2006	Stites

(Continued)

**OTHER PUBLICATIONS**

Karsten putters google search; google.com; Jul. 13, 2022.\*  
Ping.com; Jul. 13, 2022.\*

*Primary Examiner* — Mitchell I. Siegel

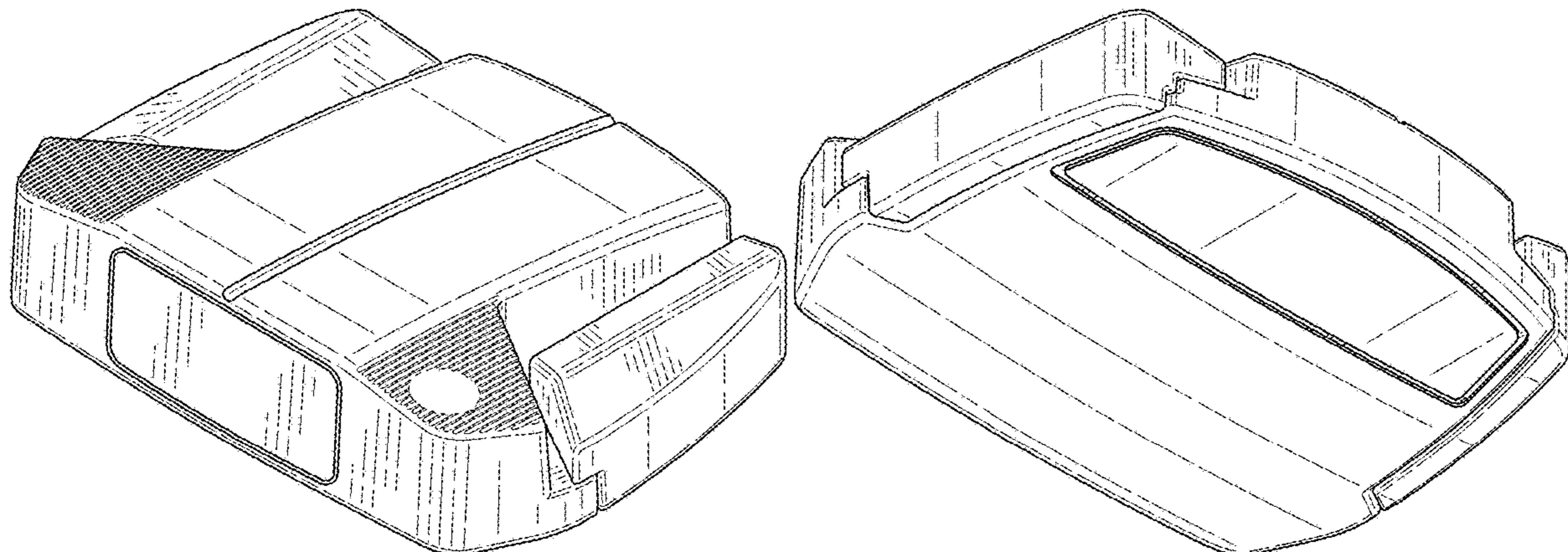
(57) **CLAIM**

The ornamental design for a golf club head, as shown and described.

**DESCRIPTION**

FIG. 1 is a top perspective view of a golf club head;  
FIG. 2 is a bottom perspective view of the golf club head of FIG. 1;  
FIG. 3 is a top view of the golf club head of FIG. 1;  
FIG. 4 is a bottom view of the golf club head of FIG. 1;  
FIG. 5 is a front view of the golf club head of FIG. 1;  
FIG. 6 is a rear view of the golf club head of FIG. 1;  
FIG. 7 is a heel side view of the golf club head of FIG. 1;  
and,  
FIG. 8 is a toe side view of the golf club head of FIG. 1.  
The broken lines shown form no part of the claimed design.

**1 Claim, 5 Drawing Sheets**



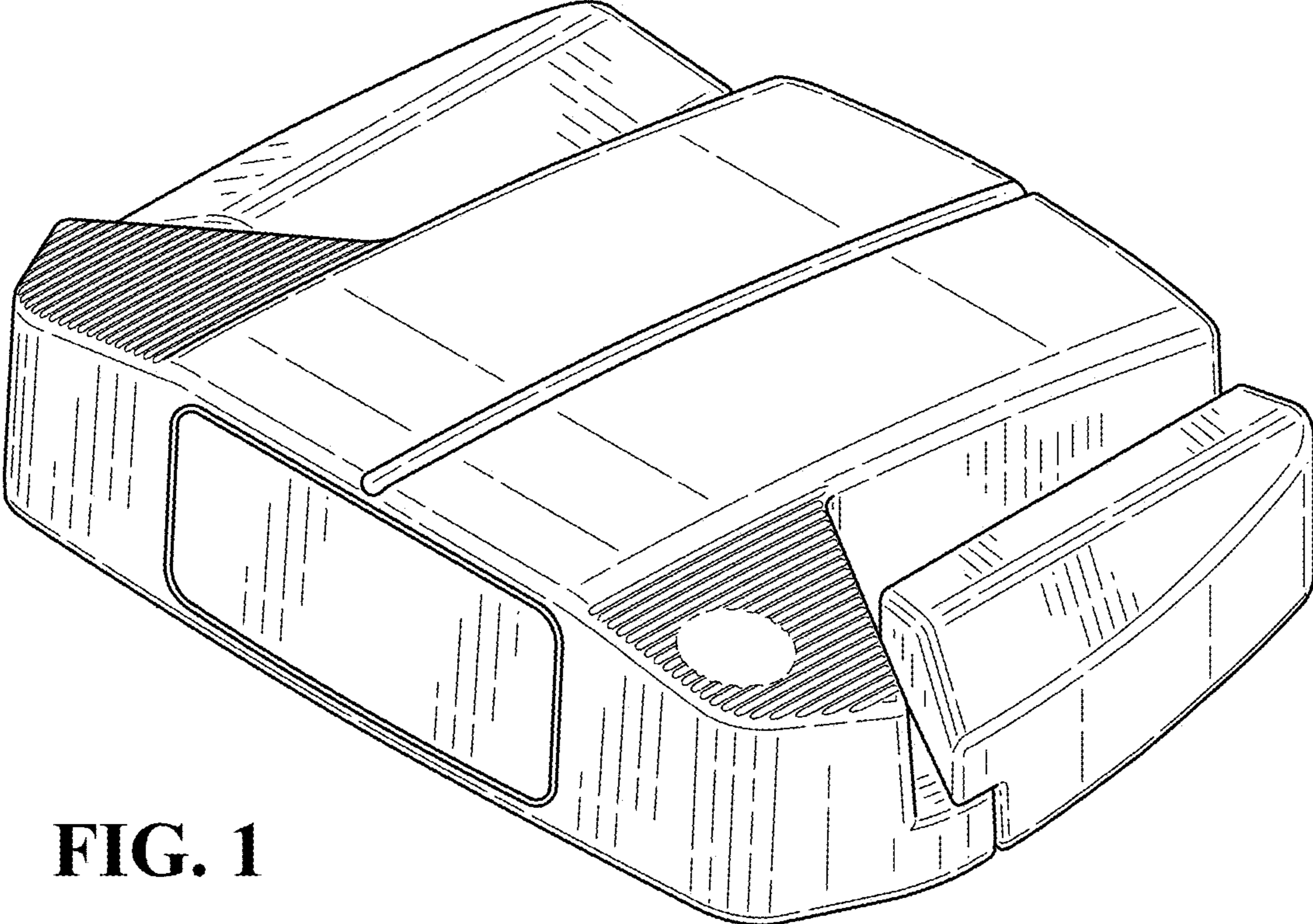
(56)

References Cited

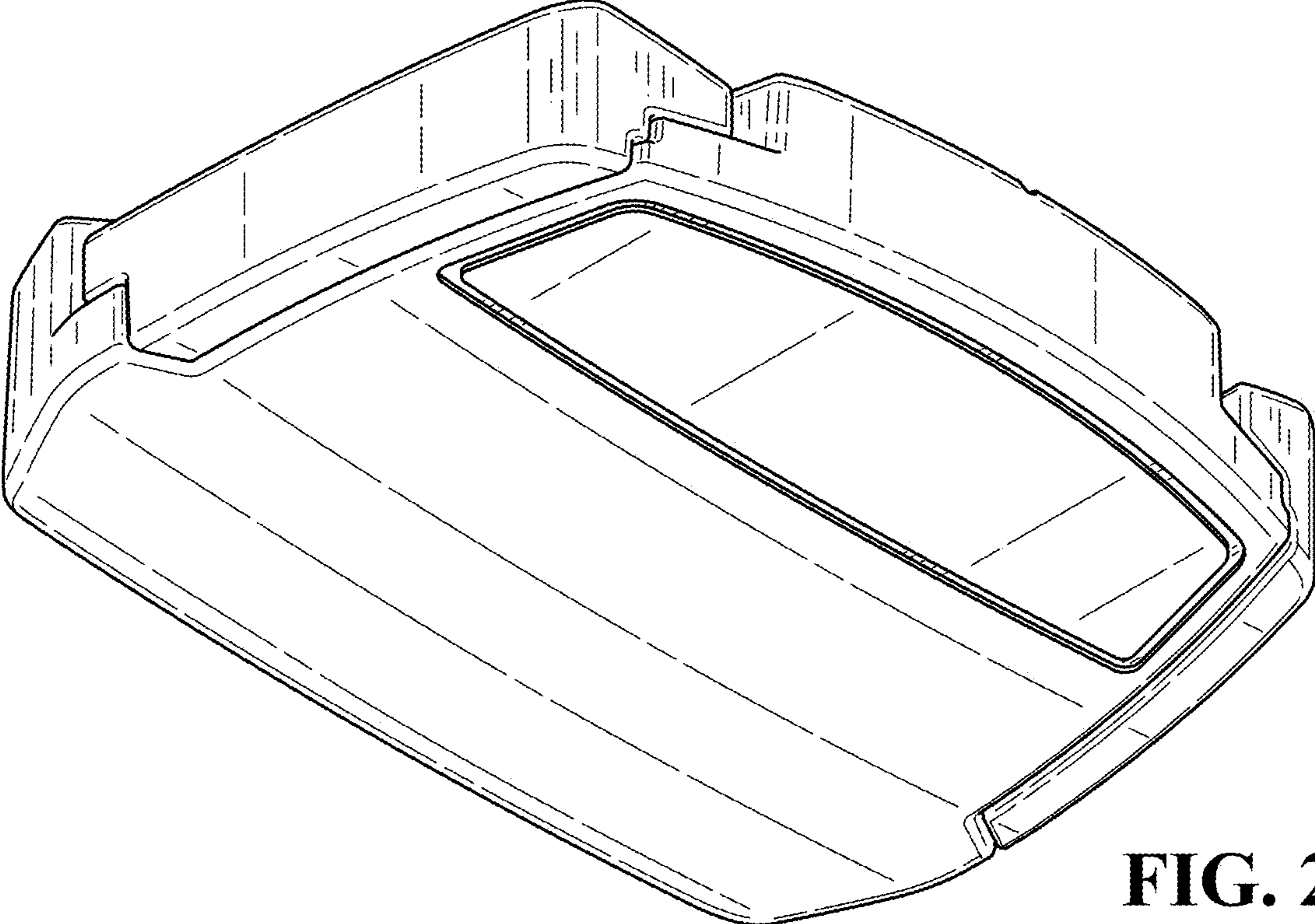
U.S. PATENT DOCUMENTS

D532,847 S	11/2006	Rollinson	D774,607 S *	12/2016	Serrano	.....	D21/743
D533,243 S	12/2006	Fife	D774,609 S	12/2016	Serrano		
D533,609 S	12/2006	Moore	D774,610 S *	12/2016	Serrano	.....	D21/744
D542,873 S	5/2007	Oldknow	D792,929 S	7/2017	Serrano		
7,235,021 B2	6/2007	Solheim	D796,597 S	9/2017	Serrano		
D548,295 S	8/2007	Jertson	D796,598 S	9/2017	Serrano		
7,255,650 B2	8/2007	Bryant	D796,599 S	9/2017	Serrano		
D552,197 S	10/2007	Wells	D796,600 S	9/2017	Serrano		
D561,854 S	2/2008	Morris	D796,601 S	9/2017	Serrano		
D564,606 S	3/2008	Oldknow	D796,602 S	9/2017	Serrano		
D565,137 S	3/2008	Oldknow	D796,603 S	9/2017	Serrano		
D569,460 S	5/2008	Walker	D796,604 S	9/2017	Serrano		
D569,461 S	5/2008	Morris	D796,605 S	9/2017	Serrano		
D569,462 S	5/2008	Rollinson	D797,220 S	9/2017	Serrano		
D571,879 S	5/2008	Jones et al.	D797,221 S	9/2017	Serrano		
7,374,497 B2	5/2008	Brown	D797,222 S *	9/2017	Serrano	.....	D21/744
D574,907 S	8/2008	Jones et al.	D797,872 S	9/2017	Jertson		
D581,473 S	11/2008	Thomas	D797,873 S	9/2017	Serrano		
D583,003 S	12/2008	Solheim	9,757,626 B2 *	9/2017	Quan	.....	A63B 53/007
D587,325 S	2/2009	Solheim	D807,453 S	1/2018	Serrano		
D591,806 S	5/2009	Cameron	D807,454 S	1/2018	Serrano		
D594,073 S	6/2009	Kadoya	D815,222 S	4/2018	Serrano		
D595,372 S	6/2009	Rollinson	D816,175 S	4/2018	Solheim		
D600,760 S	9/2009	Serrano	D825,698 S	8/2018	Serrano		
D600,761 S	9/2009	Solheim	D827,743 S	9/2018	Chen		
D600,762 S	9/2009	Serrano	D832,379 S	10/2018	Jertson		
D607,950 S	1/2010	Souza	D832,380 S	10/2018	Wang		
D621,458 S	8/2010	Serrano	D832,381 S	10/2018	Serrano		
D621,460 S	8/2010	Serrano	10,105,578 B2 *	10/2018	Quan	.....	A63B 60/00
D621,461 S	8/2010	Serrano	D832,948 S	11/2018	Stokke		
D621,462 S	8/2010	Serrano	D840,482 S *	2/2019	Serrano	.....	D21/736
D621,891 S	8/2010	Serrano	D844,722 S	4/2019	Wang		
7,803,066 B2	9/2010	Solheim	D844,724 S	4/2019	Wang		
D638,891 S	5/2011	Nicolette	D847,926 S	4/2019	Wang		
D640,341 S	6/2011	Foster	D847,923 S	5/2019	Wang		
D643,080 S	8/2011	Serrano	D847,924 S	5/2019	Wang		
D643,485 S	8/2011	Nicolette et al.	D879,222 S *	3/2020	Serrano	.....	D21/742
D643,486 S	8/2011	Serrano	D898,848 S *	10/2020	Clarke	.....	D21/743
D643,487 S	8/2011	Serrano	D928,259 S *	8/2021	Andrews	.....	D21/736
8,100,779 B2	1/2012	Solheim	D954,873 S *	6/2022	Andrews	.....	D21/736
D653,718 S	2/2012	Stokke	2006/0094533 A1	5/2006	Warren		
8,109,838 B2	2/2012	Solheim	2007/0191135 A1	8/2007	Nilsson		
D664,617 S	7/2012	Serrano	2010/0227704 A1	9/2010	Souza		
D715,388 S *	10/2014	Serrano	2014/0128173 A1 *	5/2014	Quan	.....	A63B 53/0487 427/430.1
			2017/0036078 A1 *	2/2017	Serrano	.....	A63B 53/0487

\* cited by examiner



**FIG. 1**



**FIG. 2**

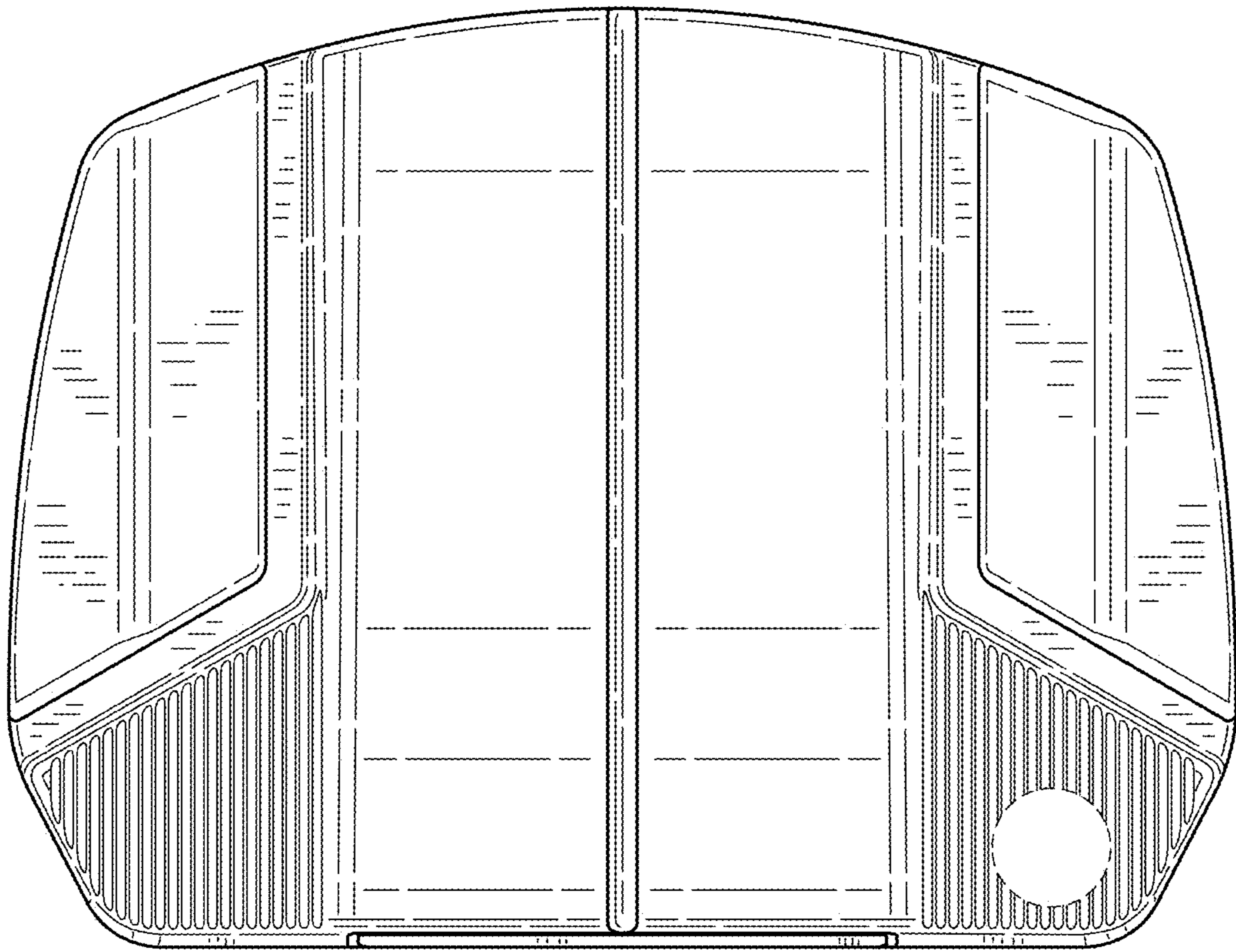
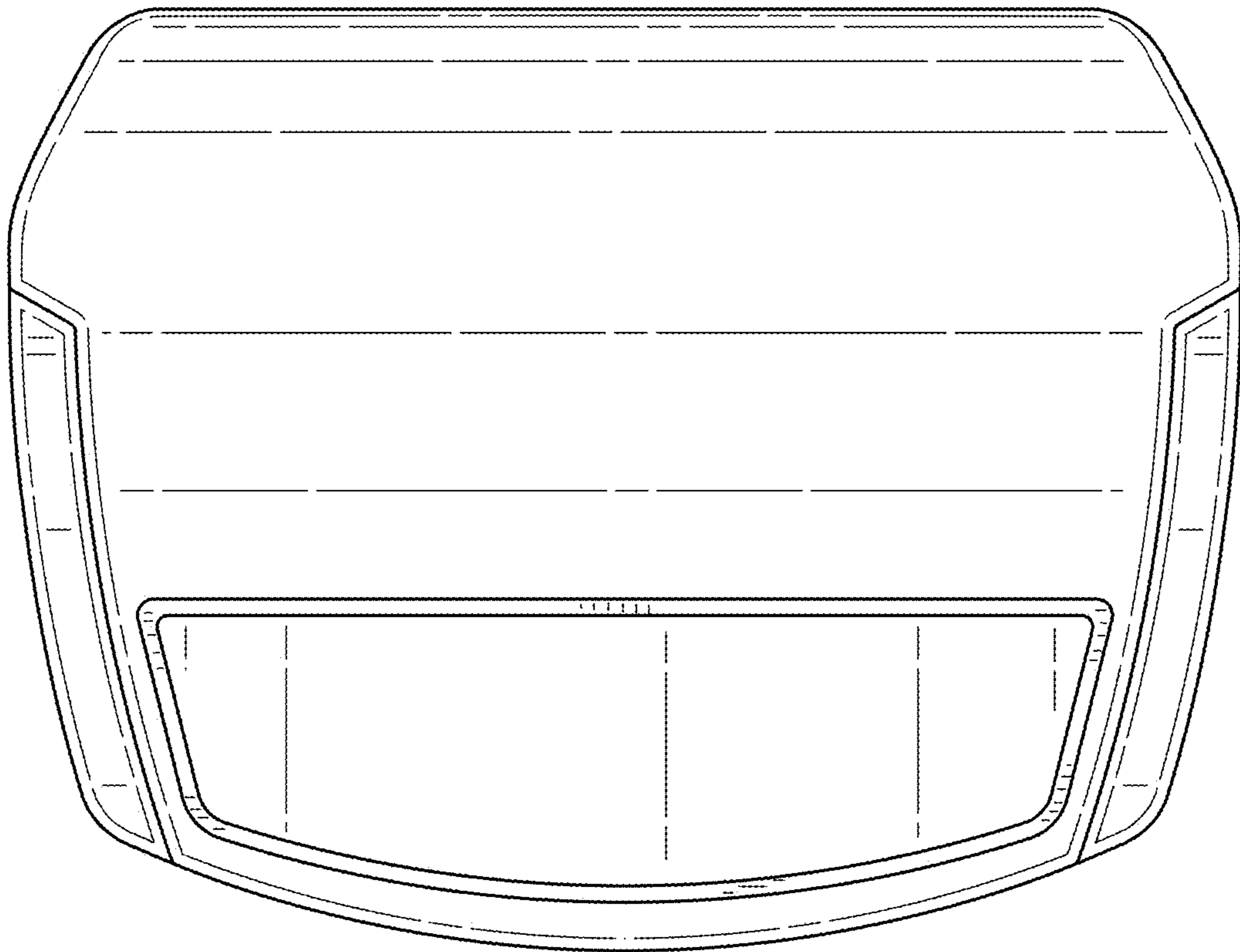
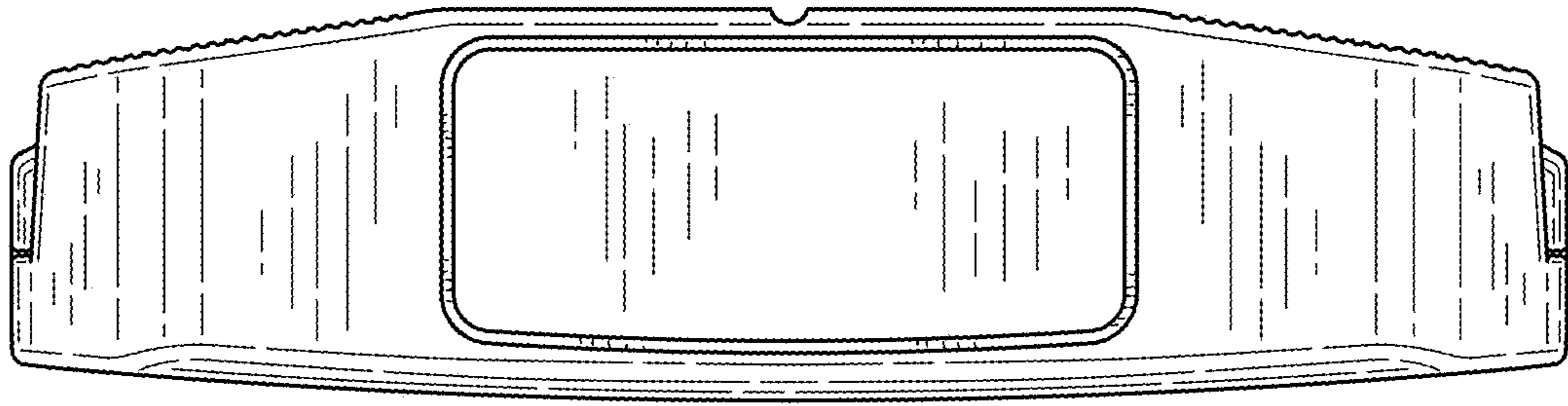


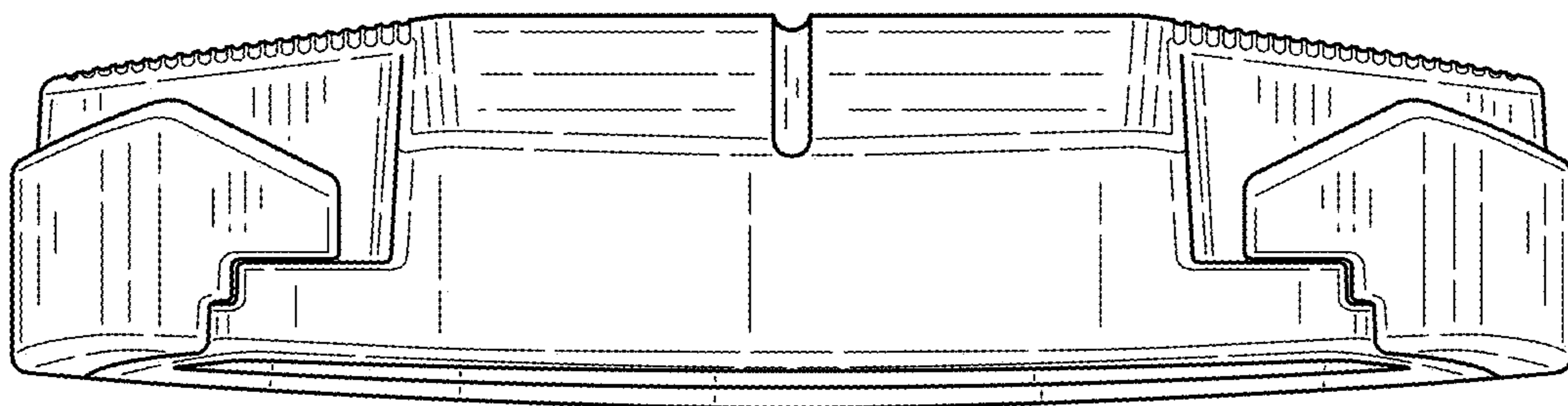
FIG. 3



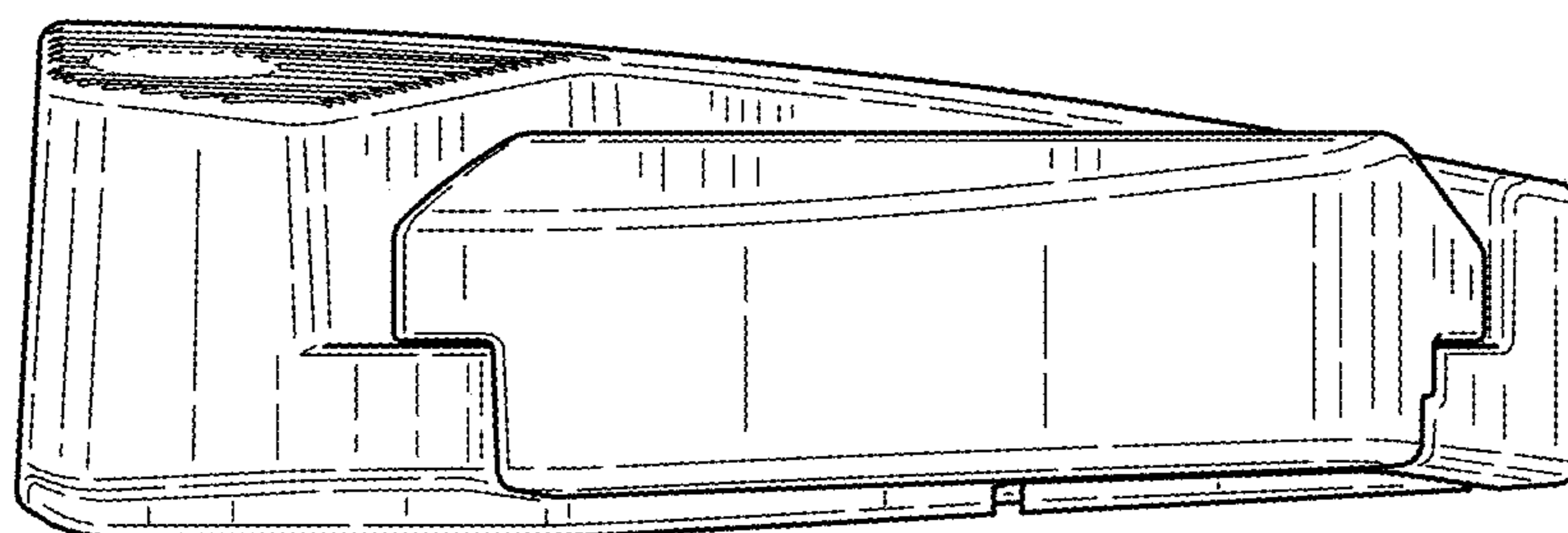
**FIG. 4**



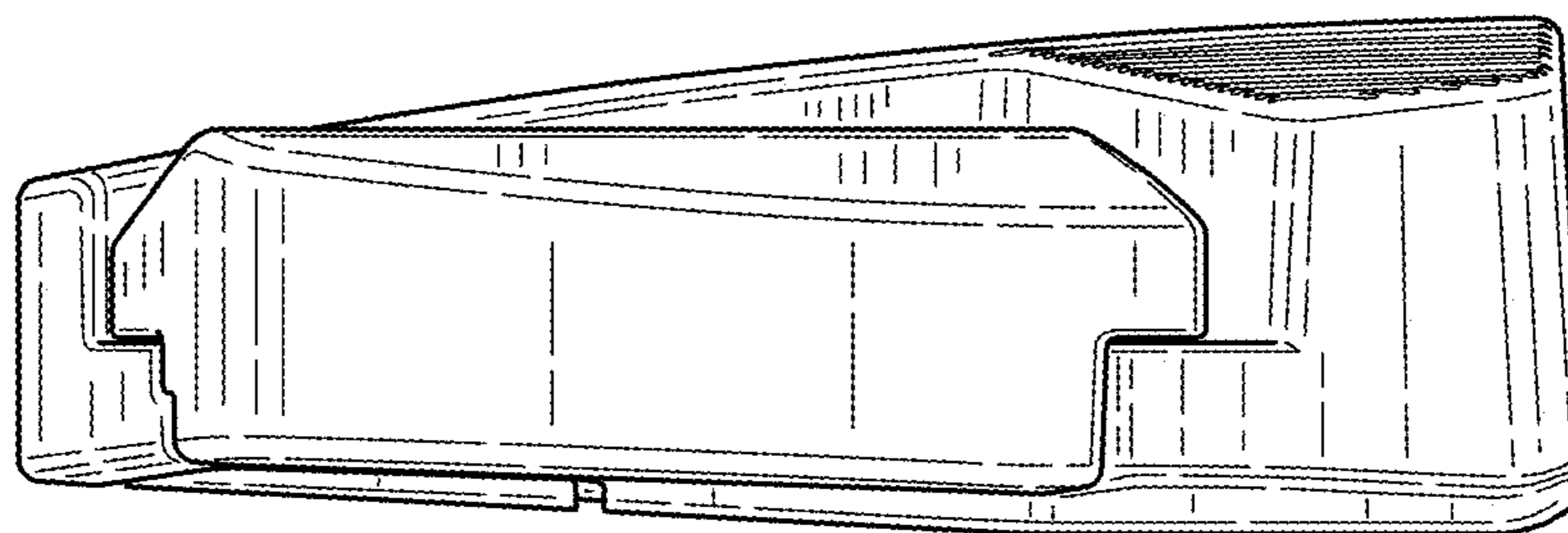
**FIG. 5**



**FIG. 6**



**FIG. 7**



**FIG. 8**