



US00D972055S

(12) **United States Design Patent** (10) **Patent No.:** **US D972,055 S**
Chen (45) **Date of Patent:** **** Dec. 6, 2022**

(54) **TRICEP ROPE**
(71) Applicant: **SUNLIT TRADING INTERNATIONAL CO., LIMITED,**
Sheung Wan (CN)
(72) Inventor: **Qinian Chen,** Jiangmen (CN)
(**) Term: **15 Years**
(21) Appl. No.: **29/789,581**
(22) Filed: **Sep. 30, 2021**
(51) **LOC (13) Cl.** **21-02**
(52) **U.S. Cl.**
USPC **D21/692**
(58) **Field of Classification Search**
USPC D21/685, 693, 698, 771, 773, 774, 753,
D21/756, 807, 692, 679, 686, 673, 681,
D21/682, 691, 694, 662, 797, 665, 683,
D21/684, 677; D24/190
See application file for complete search history.

D645,919 S 9/2011 Kassel et al.
D657,008 S 4/2012 Markovic
D678,434 S * 3/2013 Hughes D21/692
D861,087 S * 9/2019 Mantione, III D21/694
D872,200 S 1/2020 Antezana
10,912,374 B2 * 2/2021 Hopple A45F 5/1046
D926,897 S * 8/2021 Behar D21/677

OTHER PUBLICATIONS

Vulken, announced Mar. 11, 2020 [online], [site visited Jul. 22, 2022]. Available on internet, URL: <https://www.amazon.com/dp/B085RM28R7/ref> (Year: 2020).*

* cited by examiner

Primary Examiner — Khawaja Anwar
Assistant Examiner — Julice Seung Eun Oum
(74) *Attorney, Agent, or Firm* — Runit R. Kanakia

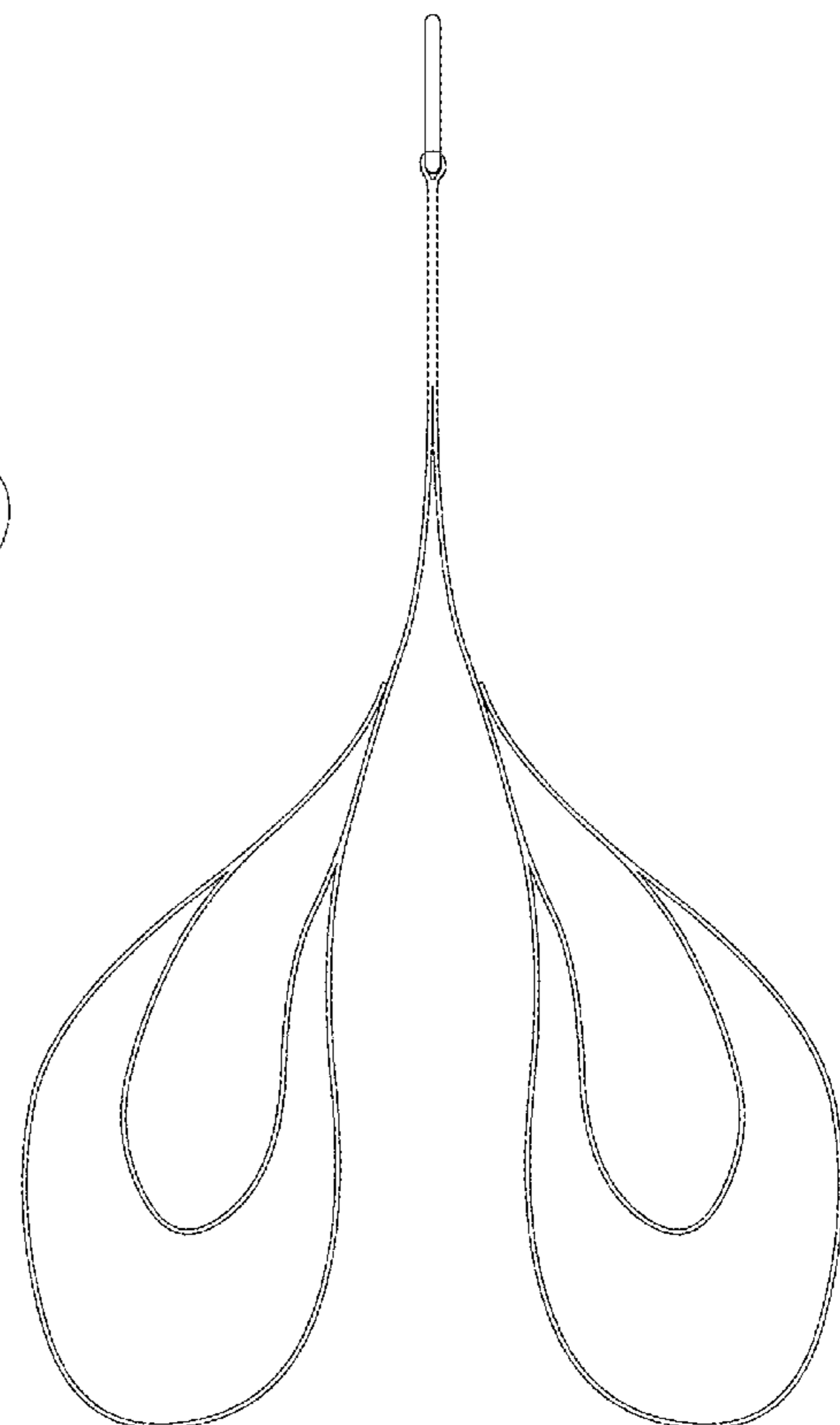
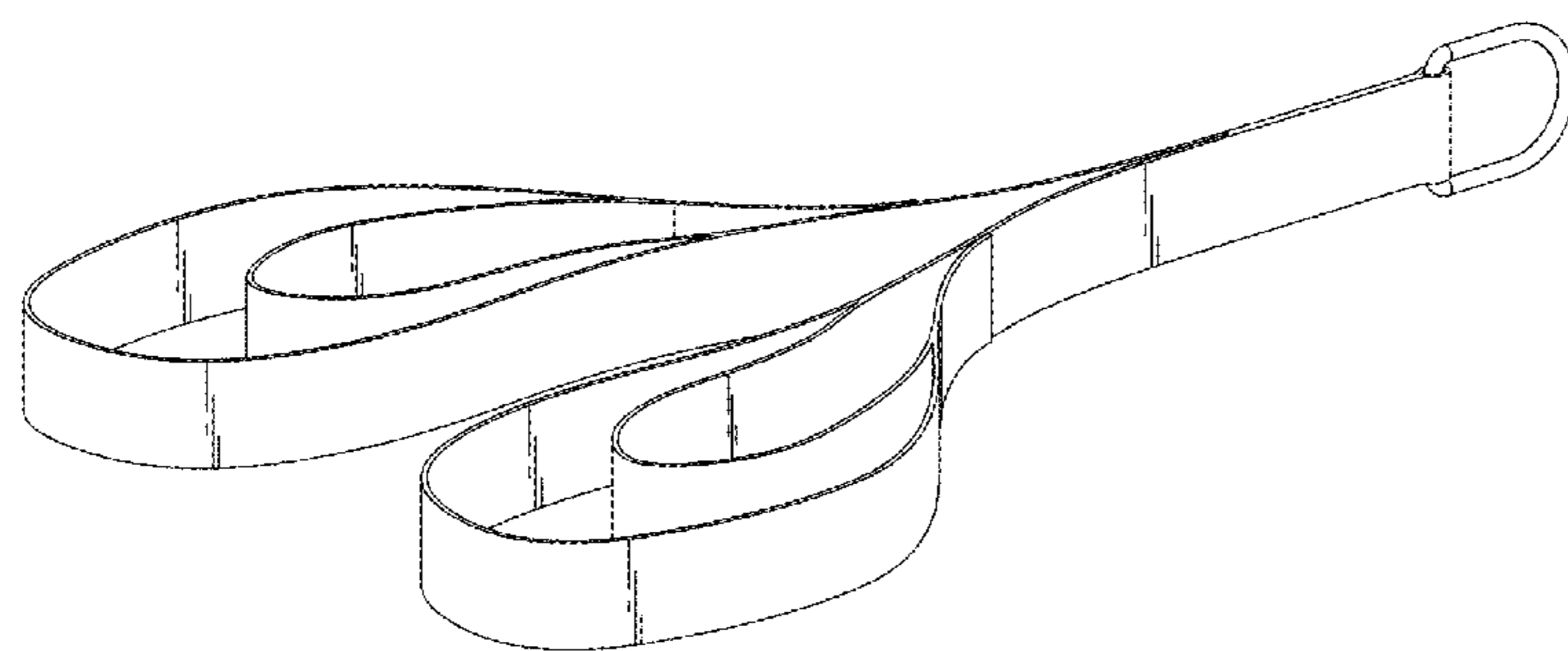
(57) **CLAIM**

The ornamental design for a tricep rope, as shown and described.

DESCRIPTION

FIG. 1 is a perspective view of a tricep rope showing my new design;
FIG. 2 is a top view thereof;
FIG. 3 is a left side view thereof;
FIG. 4 is a front view thereof;
FIG. 5 is a right side view thereof;
FIG. 6 is a back view thereof; and,
FIG. 7 is a bottom view thereof.

1 Claim, 7 Drawing Sheets



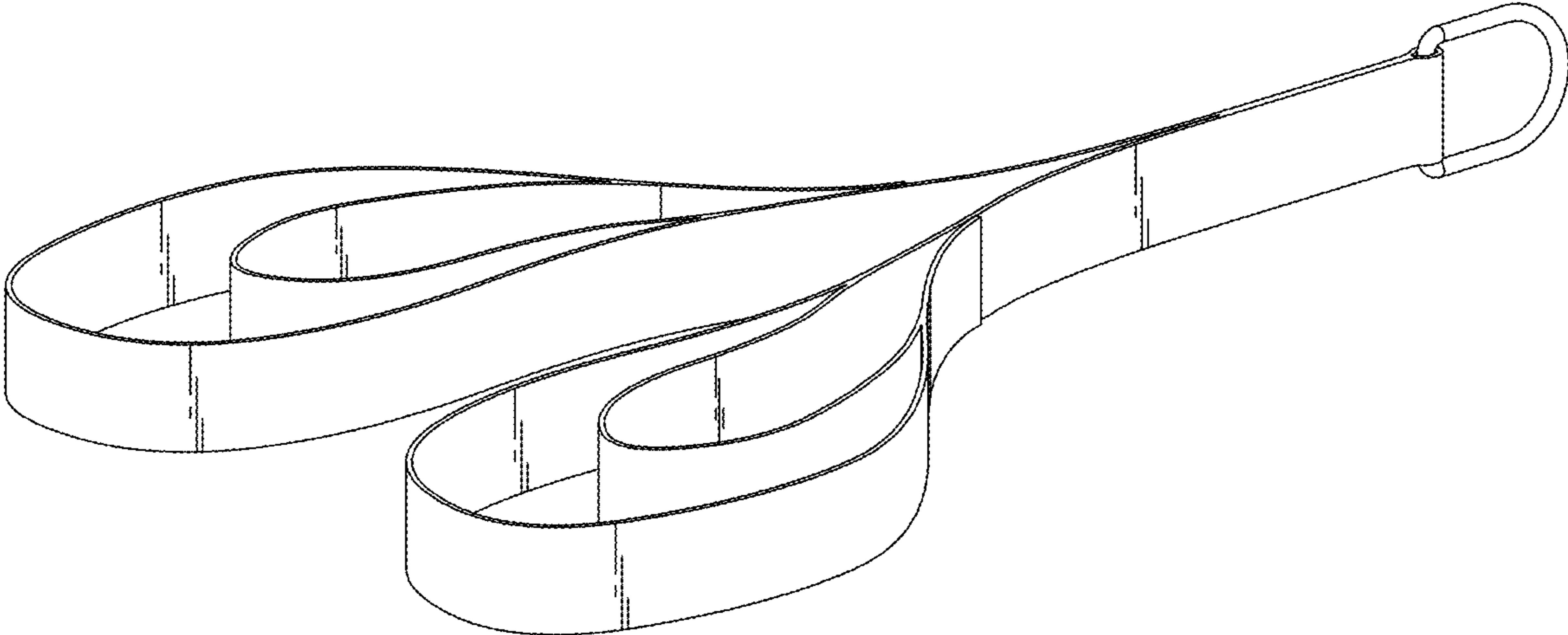


FIG.1

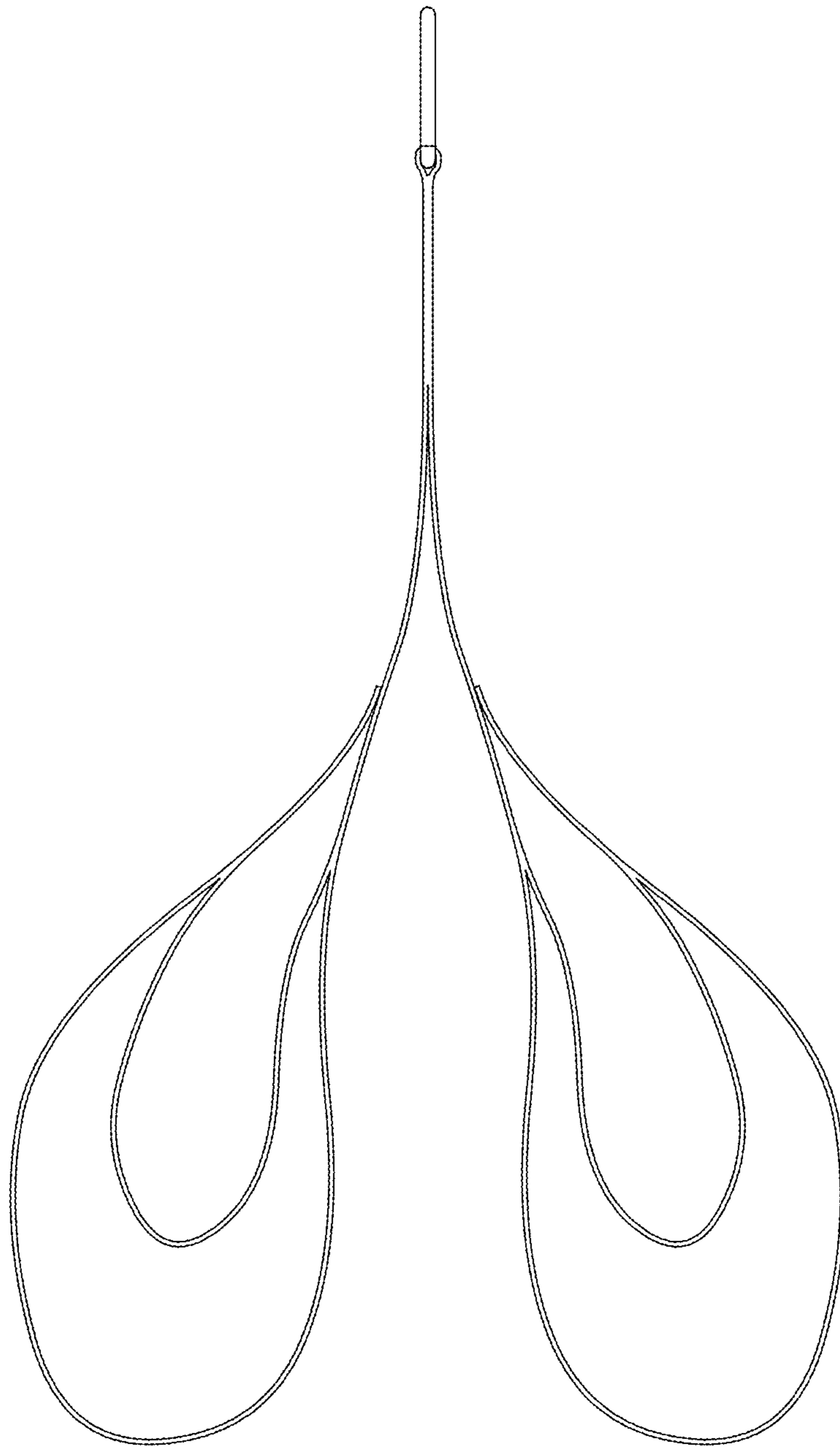


FIG. 2

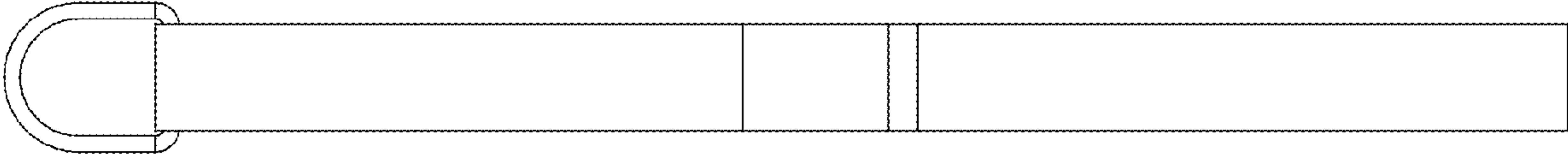


FIG. 3

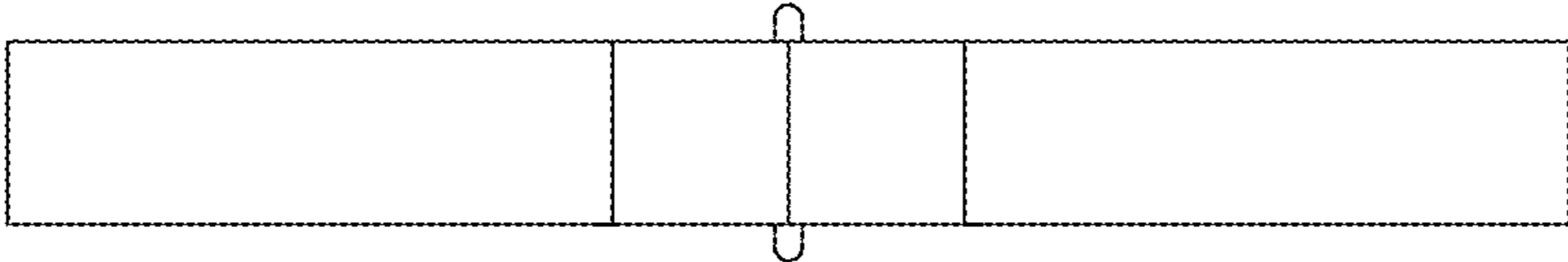


FIG.4

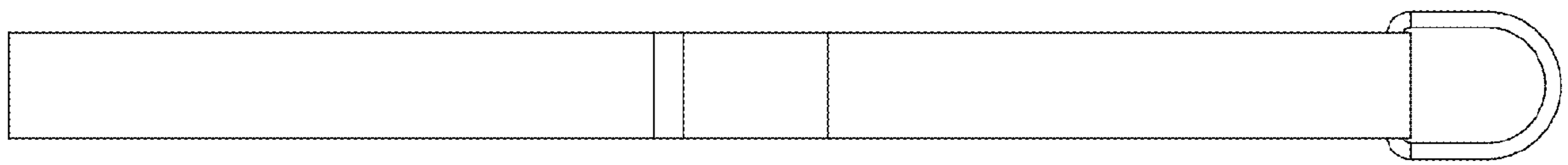


FIG. 5

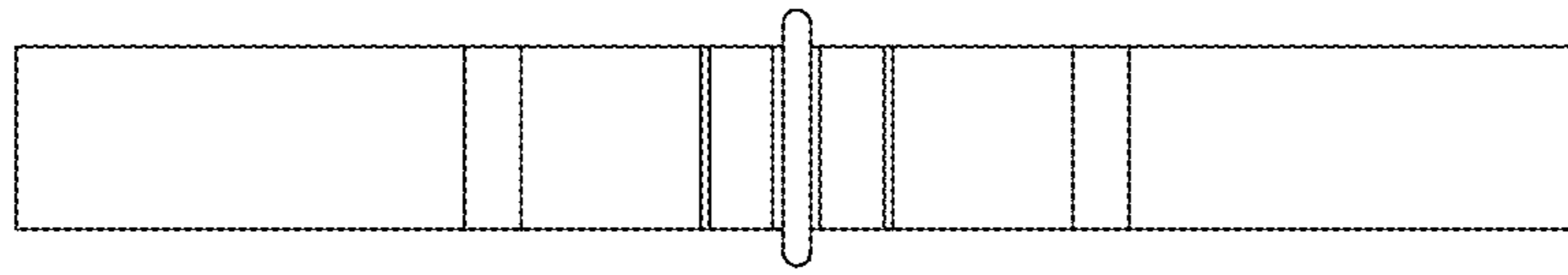


FIG. 6

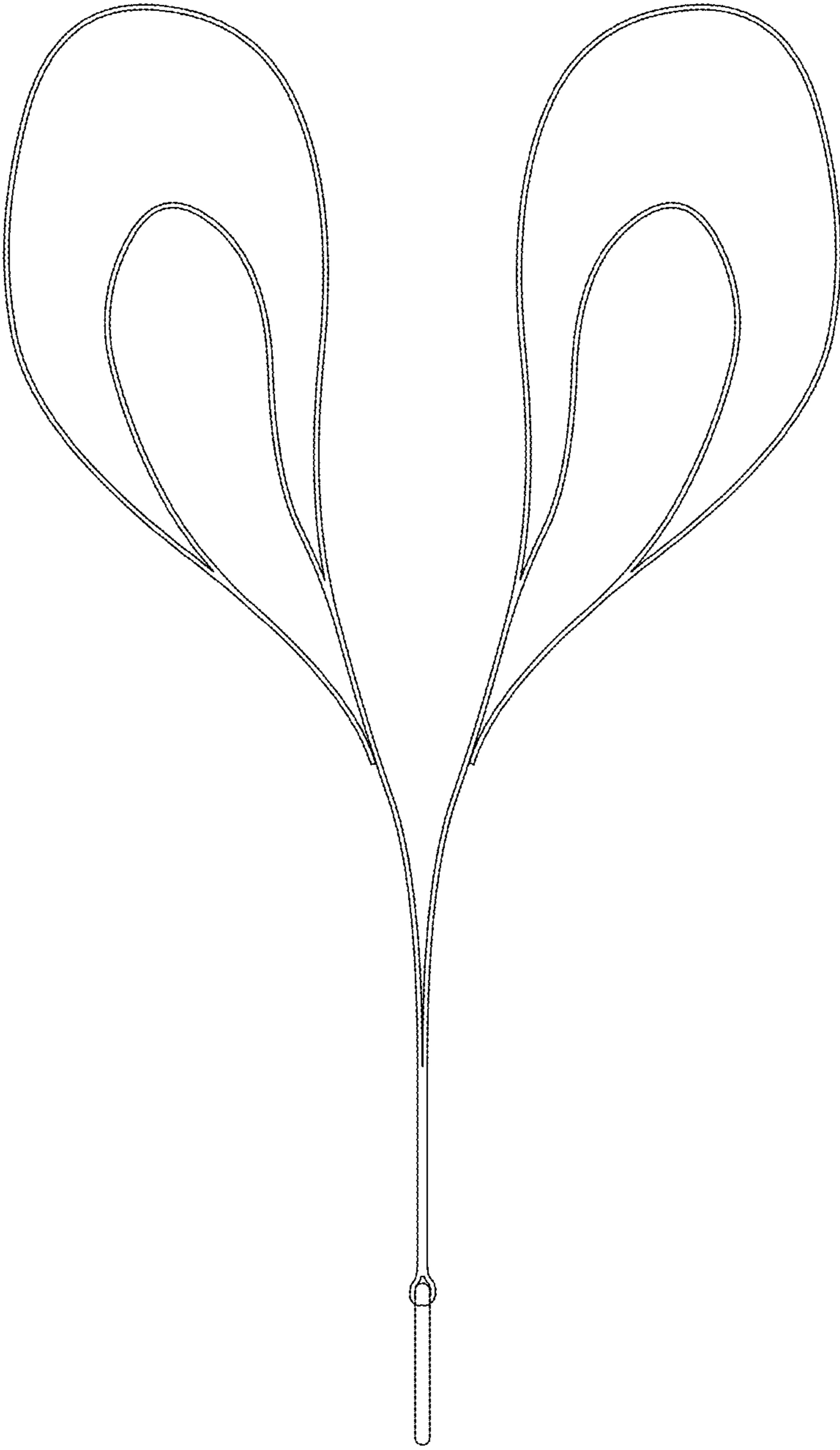


FIG. 7