



US00D972054S

(12) **United States Design Patent**  
**Tasca**

(10) **Patent No.:** **US D972,054 S**

(45) **Date of Patent:** **\*\* Dec. 6, 2022**

(54) **FUNCTIONAL EXERCISE FRAME**

(71) Applicant: **TECHNOGYM S.p.A.**, Cesena (IT)

(72) Inventor: **Ermanno Tasca**, Cesena (IT)

(73) Assignee: **TECHNOGYM S.p.A.**, Forlì'-Cesena (IT)

(\*\*) Term: **15 Years**

(21) Appl. No.: **29/686,500**

(22) Filed: **Apr. 4, 2019**

(30) **Foreign Application Priority Data**

Oct. 5, 2018 (EM) ..... 005762564

(51) **LOC (13) Cl.** ..... **21-02**

(52) **U.S. Cl.**  
USPC ..... **D21/686**

(58) **Field of Classification Search**  
USPC ..... D21/694, 686, 676, 673, 690, 681, 680,  
D21/682, 688, 663, 679, 691, 674;  
482/131, 38, 142, 130, 94, 145, 108, 104,  
482/129, 120, 98; D12/203, 130, 406;  
D24/188; D8/330; D6/536, 553  
CPC ..... A63B 21/0628; A63B 21/4035; A63B  
21/078; A63B 21/075; A63B 21/063;  
A63B 21/0728; A63B 21/072; A63B  
23/1218; A63B 23/1209; A63B 23/12;  
A63B 21/0783; A63B 21/4017  
See application file for complete search history.

(56) **References Cited**

**U.S. PATENT DOCUMENTS**

6,443,877 B1 \* 9/2002 Hoecht ..... A63B 23/035  
482/103  
D586,410 S \* 2/2009 Citterio ..... D21/673  
7,874,965 B2 \* 1/2011 Alessandri ..... A63B 21/154  
482/103  
7,901,340 B2 \* 3/2011 Alessandri ..... A63B 21/0628  
482/148

D650,022 S \* 12/2011 Lundquist ..... D21/673  
9,162,102 B1 \* 10/2015 Eder ..... E05C 1/06  
D873,935 S \* 1/2020 Van Den Berg ..... D21/691  
D903,019 S \* 11/2020 Sotis ..... D21/686  
D937,367 S \* 11/2021 Behar ..... D21/673  
D937,368 S \* 11/2021 Behar ..... D21/673  
2007/0173384 A1 \* 7/2007 Sechrest ..... A63B 21/154  
482/99  
2009/0170675 A1 \* 7/2009 Giannelli ..... A63B 21/154  
482/139  
2012/0129662 A1 \* 5/2012 Lundquist ..... A63B 21/0628  
482/104  
2017/0246507 A1 \* 8/2017 Kennington ..... A63B 23/1209  
2017/0319941 A1 \* 11/2017 Smith ..... A63B 21/153  
(Continued)

**OTHER PUBLICATIONS**

Sidea by Sidea dated no date given. Found online [Jun. 9, 2022]  
<https://sideaita.net/sidea-structures-functional-calisthenics#public-island>.\*

*Primary Examiner* — Ryan Harvey  
(74) *Attorney, Agent, or Firm* — Thomas | Horstemeyer, LLP

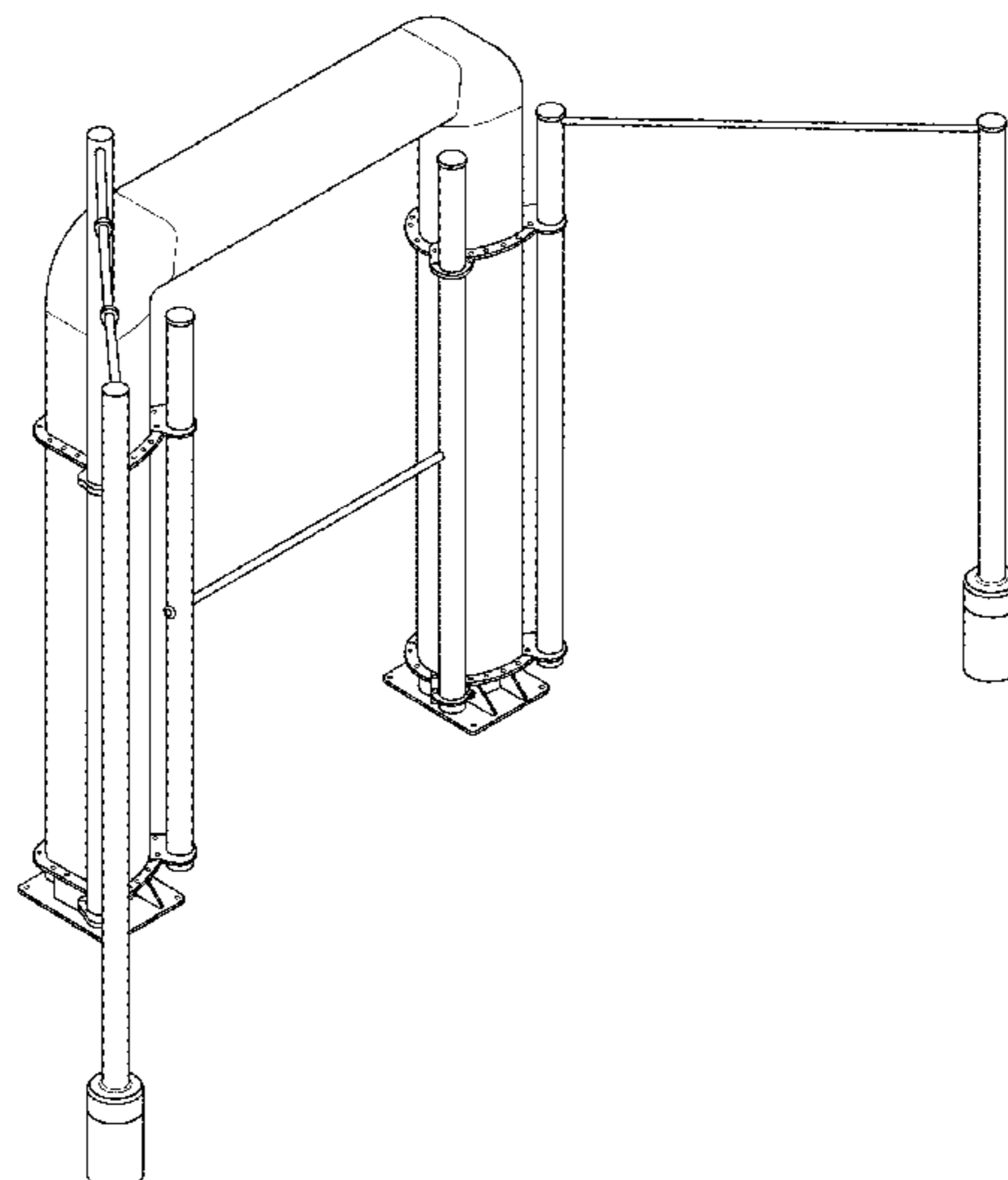
(57) **CLAIM**

The ornamental design for a functional exercise frame, as shown and described.

**DESCRIPTION**

FIG. 1 is a perspective view of a functional exercise frame, showing my new design;  
FIG. 2 is a side view thereof;  
FIG. 3 is a side view thereof, from a side opposite that of FIG. 2;  
FIG. 4 is an end view thereof;  
FIG. 5 is an end view thereof, from an end opposite that of FIG. 4;  
FIG. 6 is a top view thereof; and,  
FIG. 7 is a bottom view thereof.

**1 Claim, 7 Drawing Sheets**



(56)

**References Cited**

U.S. PATENT DOCUMENTS

2018/0064992 A1\* 3/2018 Rothman ..... A63B 21/00181  
2018/0243600 A1\* 8/2018 Kennington ..... A63B 21/156  
2020/0047027 A1\* 2/2020 Ward ..... A63B 24/0021  
2020/0047031 A1\* 2/2020 Orady ..... G16H 40/63  
2020/0139187 A1\* 5/2020 Kennington ..... A63B 21/154  
2021/0023410 A1\* 1/2021 Seo ..... A63B 21/0632

\* cited by examiner

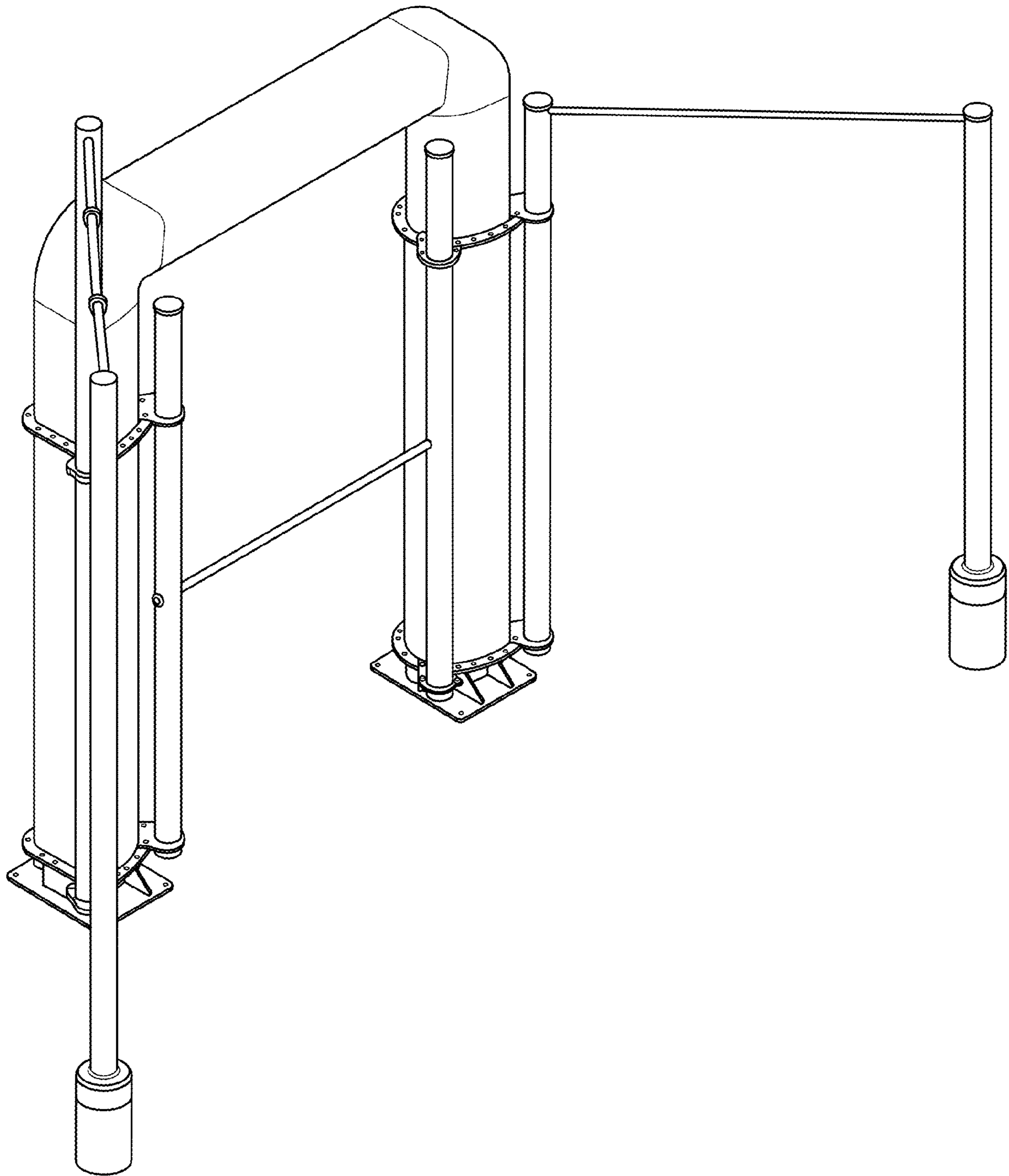


FIG. 1

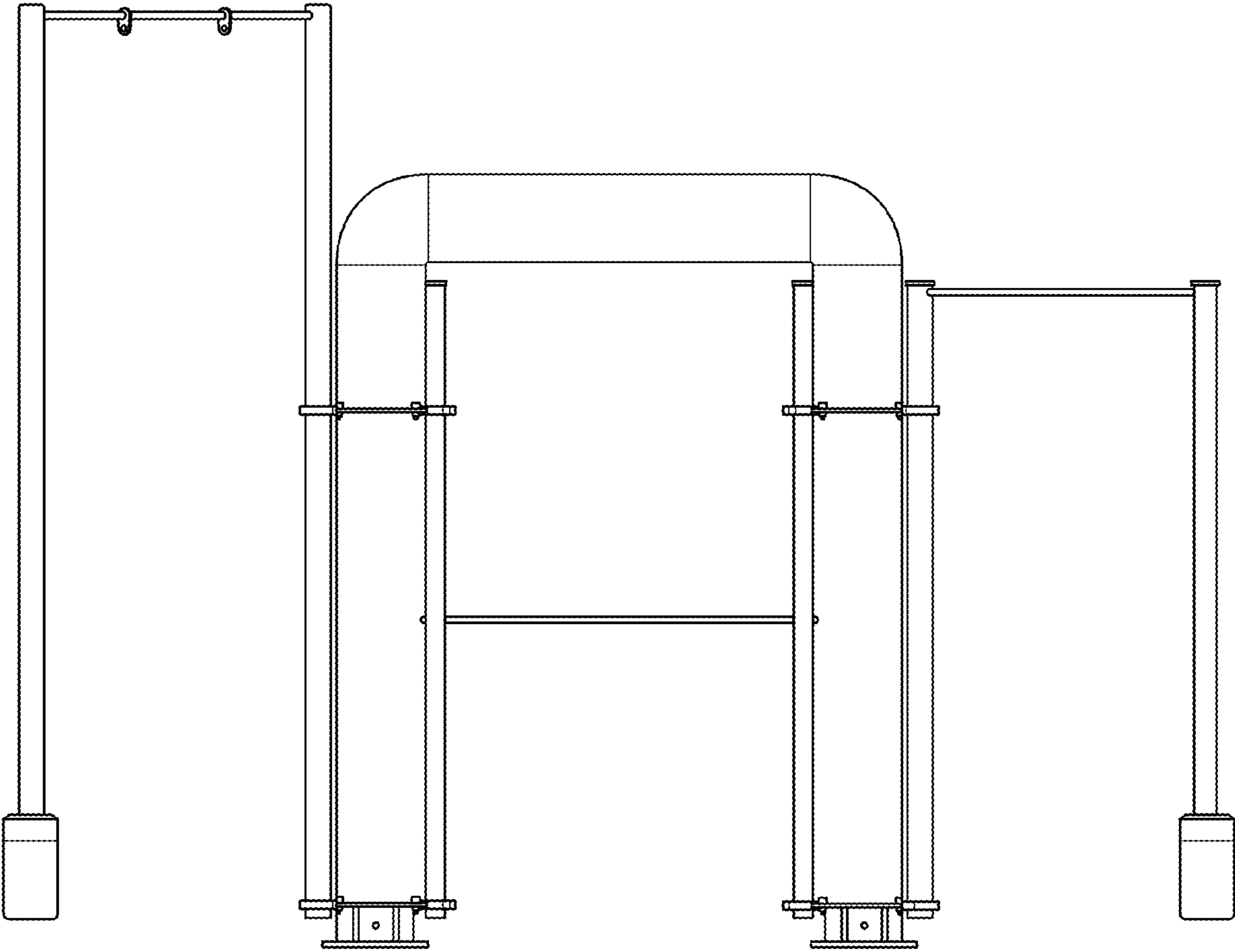


FIG. 2

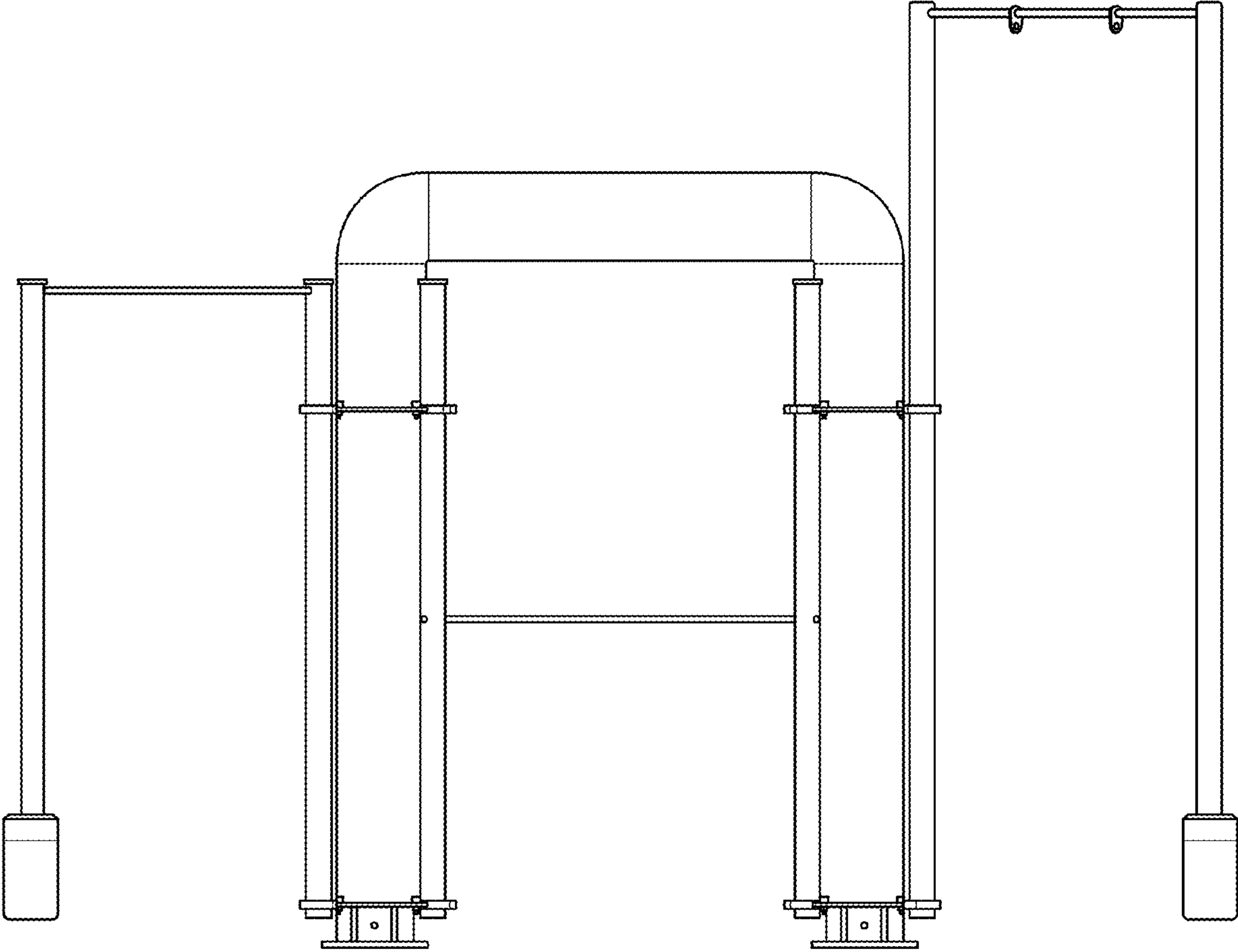


FIG. 3

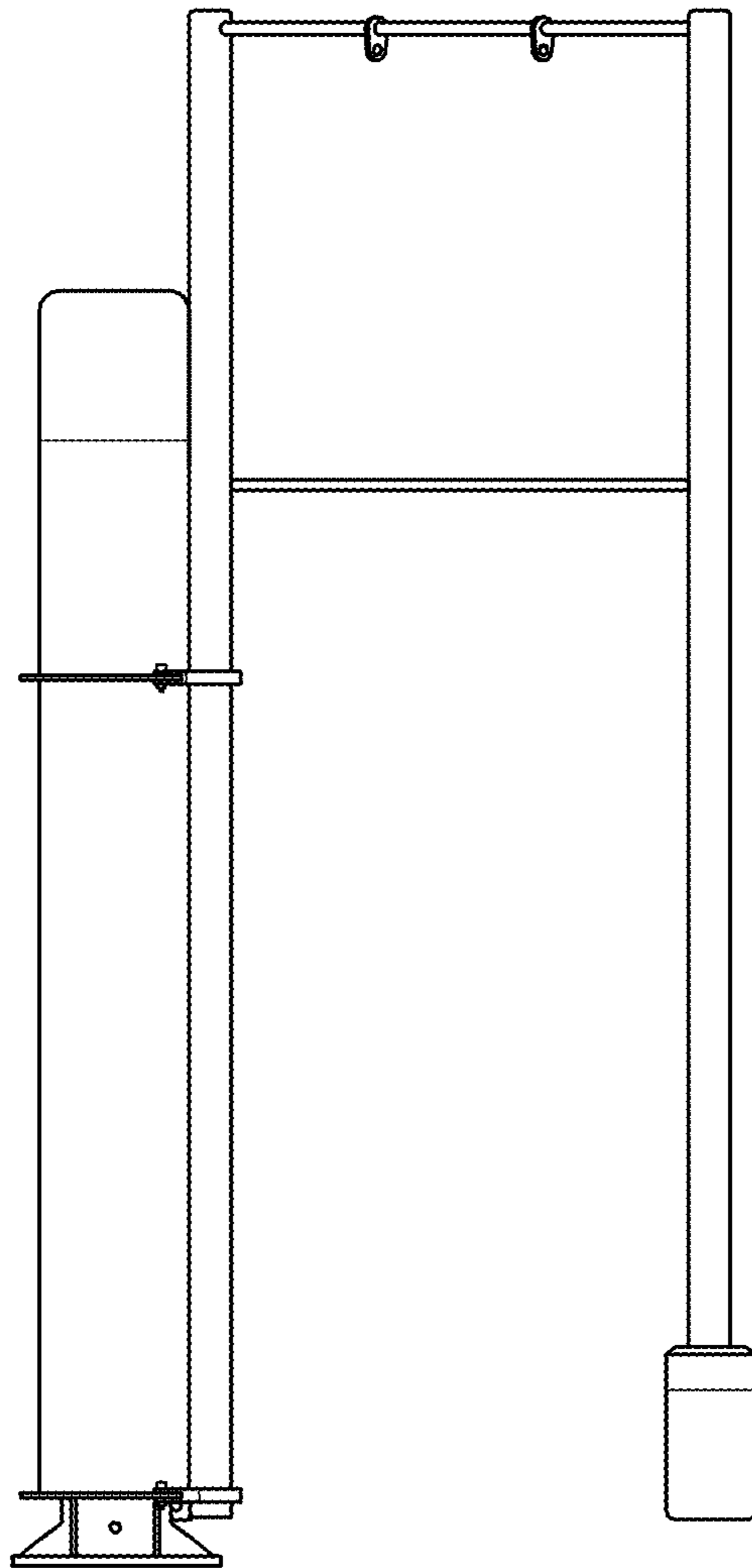


FIG. 4

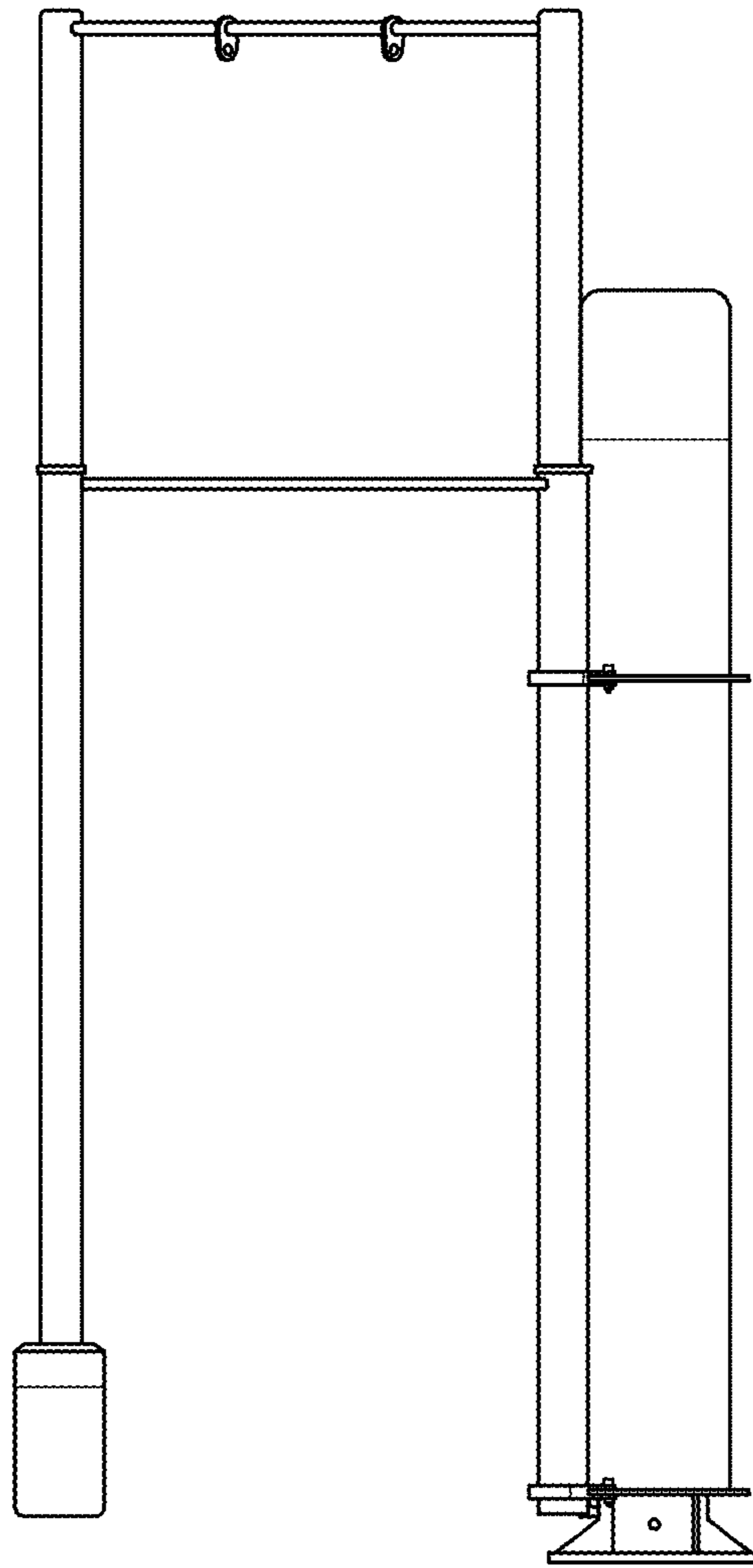


FIG. 5

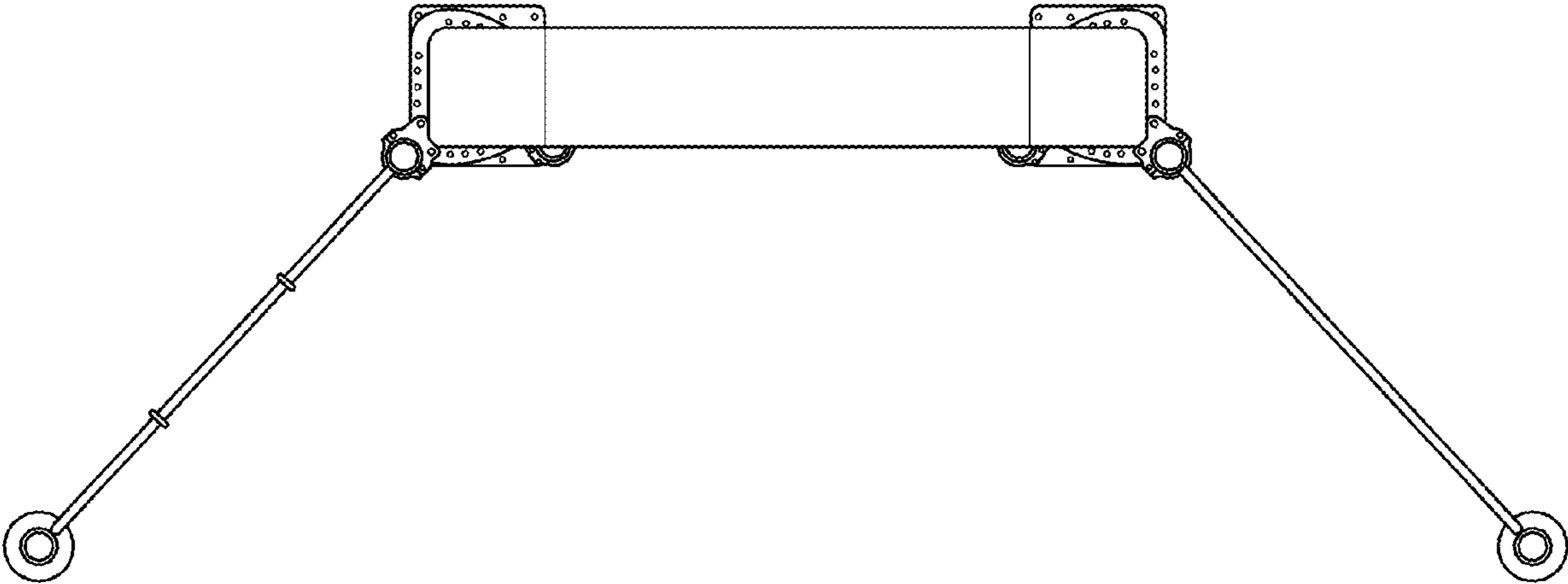


FIG. 6



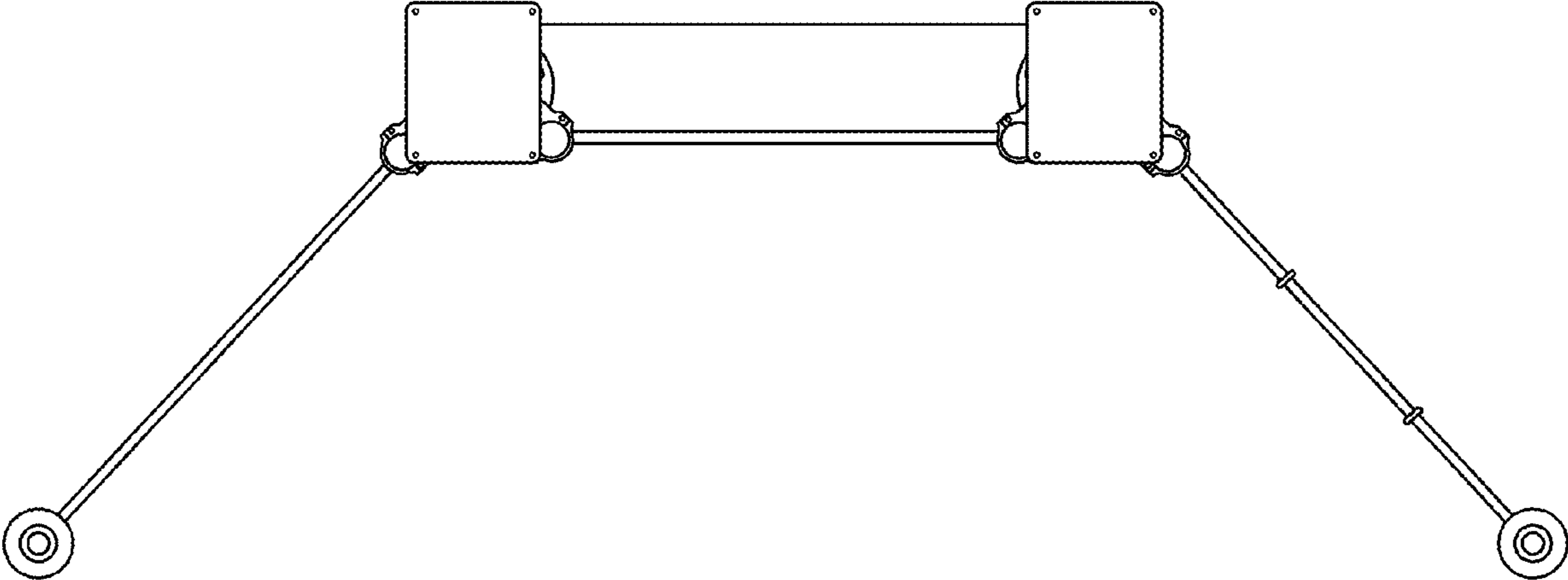


FIG. 7