



US00D972053S

(12) **United States Design Patent** (10) **Patent No.:** **US D972,053 S**
Wang (45) **Date of Patent:** **** Dec. 6, 2022**

(54) **PULL-UP BAR**

(71) Applicant: **Feixiang Wang**, Shenzhen (CN)

(72) Inventor: **Feixiang Wang**, Shenzhen (CN)

(**) Term: **15 Years**

(21) Appl. No.: **29/791,620**

(22) Filed: **Jan. 24, 2022**

(51) **LOC (13) Cl.** **21-02**

(52) **U.S. Cl.**
USPC **D21/679**

(58) **Field of Classification Search**
USPC D21/679, 681, 686, 673, 677, 662, 665
See application file for complete search history.

(56) **References Cited**

U.S. PATENT DOCUMENTS

D849,160 S	5/2019	Lau	
D930,090 S *	9/2021	Chen	D21/679
2011/0190098 A1 *	8/2011	Griswold	A63B 1/00 482/40
2022/0023715 A1 *	1/2022	Brink	A63B 23/03525

OTHER PUBLICATIONS

DP, announced 2021 [online], [site visited Aug. 30, 2022]. Available on internet, URL:<https://www.amazon.com/dp/B09JC86WNK/ref> (Year: 2021).*

JZbrain, announced 2020 [online], [site visited Aug. 30, 2022]. Available on internet, URL:<https://www.amazon.com/JZBRAIN-Installation-Strength-Automatic-Adjustable/dp/B08NT171CM/ref> (Year: 2020).*

Feixiang Wang and Pull-up Bar <https://www.amazon.com/gp/product/B09BQZCKZT>.
<https://www.amazon.com/gp/product/B09BQZCKZT>.

* cited by examiner

Primary Examiner — Khawaja Anwar
Assistant Examiner — Julice Seung Eun Oum

(57) **CLAIM**

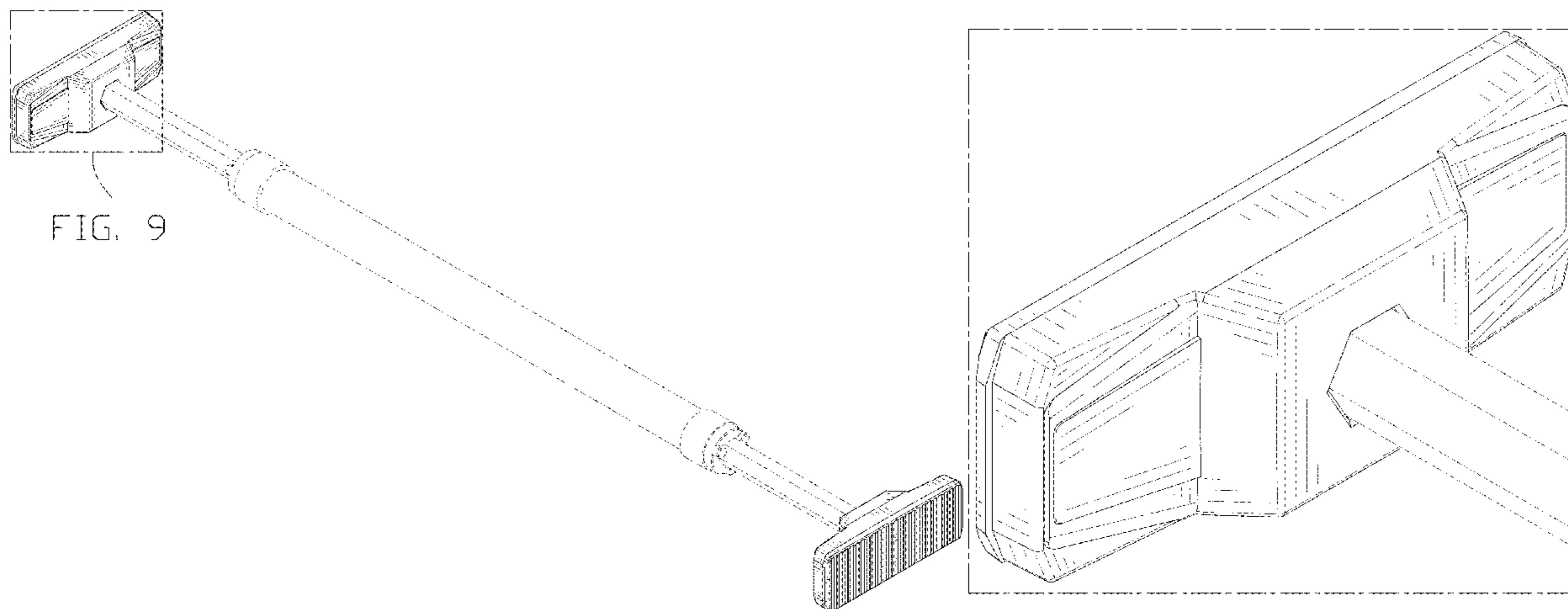
The ornamental design for a pull-up bar, as shown and described.

DESCRIPTION

FIG. 1 is a front and top perspective view of a pull-up bar, showing my new design;
FIG. 2 is a rear and bottom perspective view thereof;
FIG. 3 is a front elevation view thereof;
FIG. 4 is a rear elevation view thereof;
FIG. 5 is a top plan view thereof;
FIG. 6 is a bottom plan view thereof;
FIG. 7 is a left side elevation view thereof;
FIG. 8 is a right side elevation view thereof; and,
FIG. 9 is an enlarged view of a portion labeled, 'FIG. 9' in FIG. 1.

The broken lines in the figures illustrate portions of the pull-up bar that form no part of the claimed design. The dash dot dash lines in FIGS. 1 and 9 are for the purpose of depicting the boundary lines of the enlarged view and form no part of the claimed design.

1 Claim, 9 Drawing Sheets



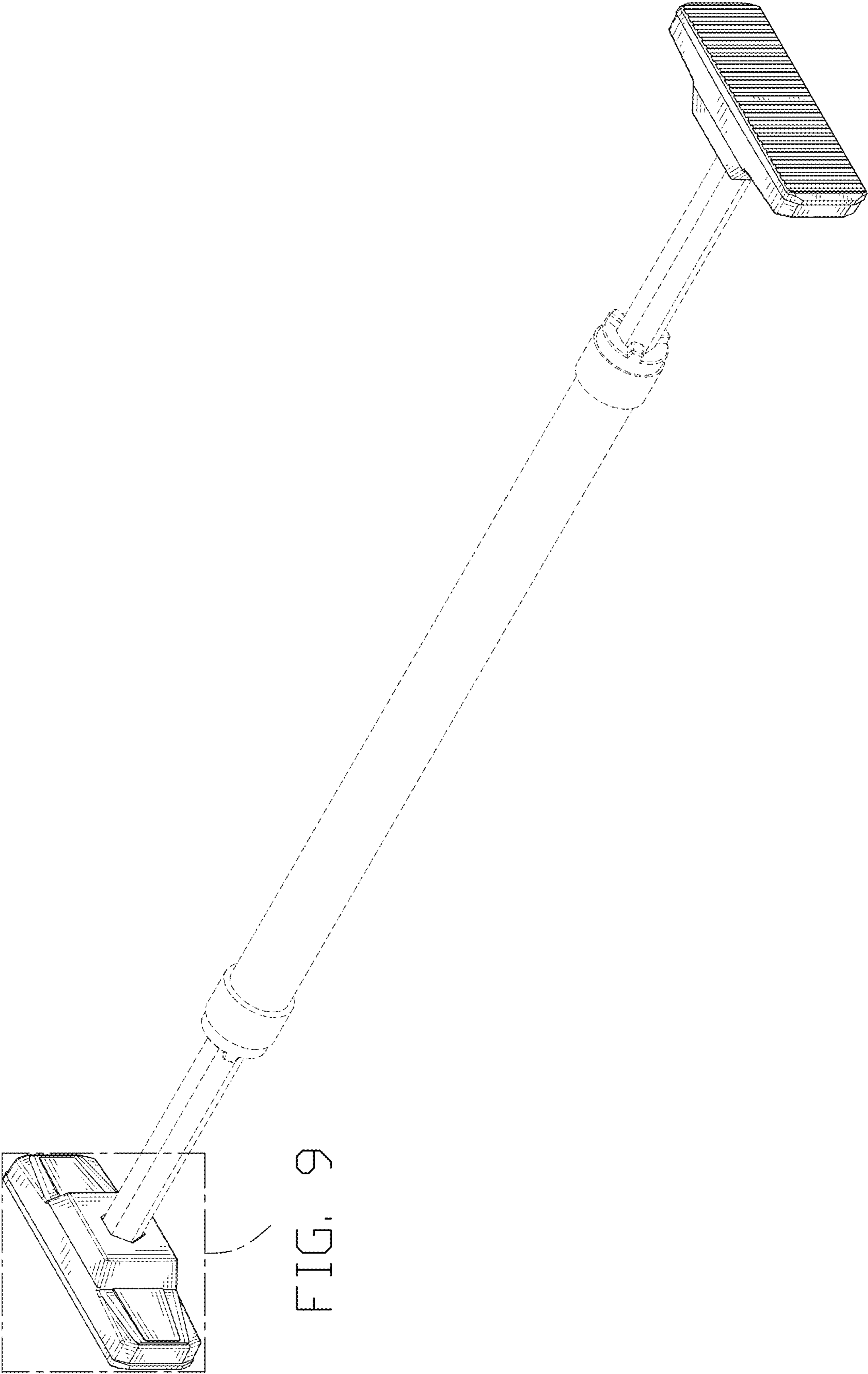


FIG. 9

FIG. 1

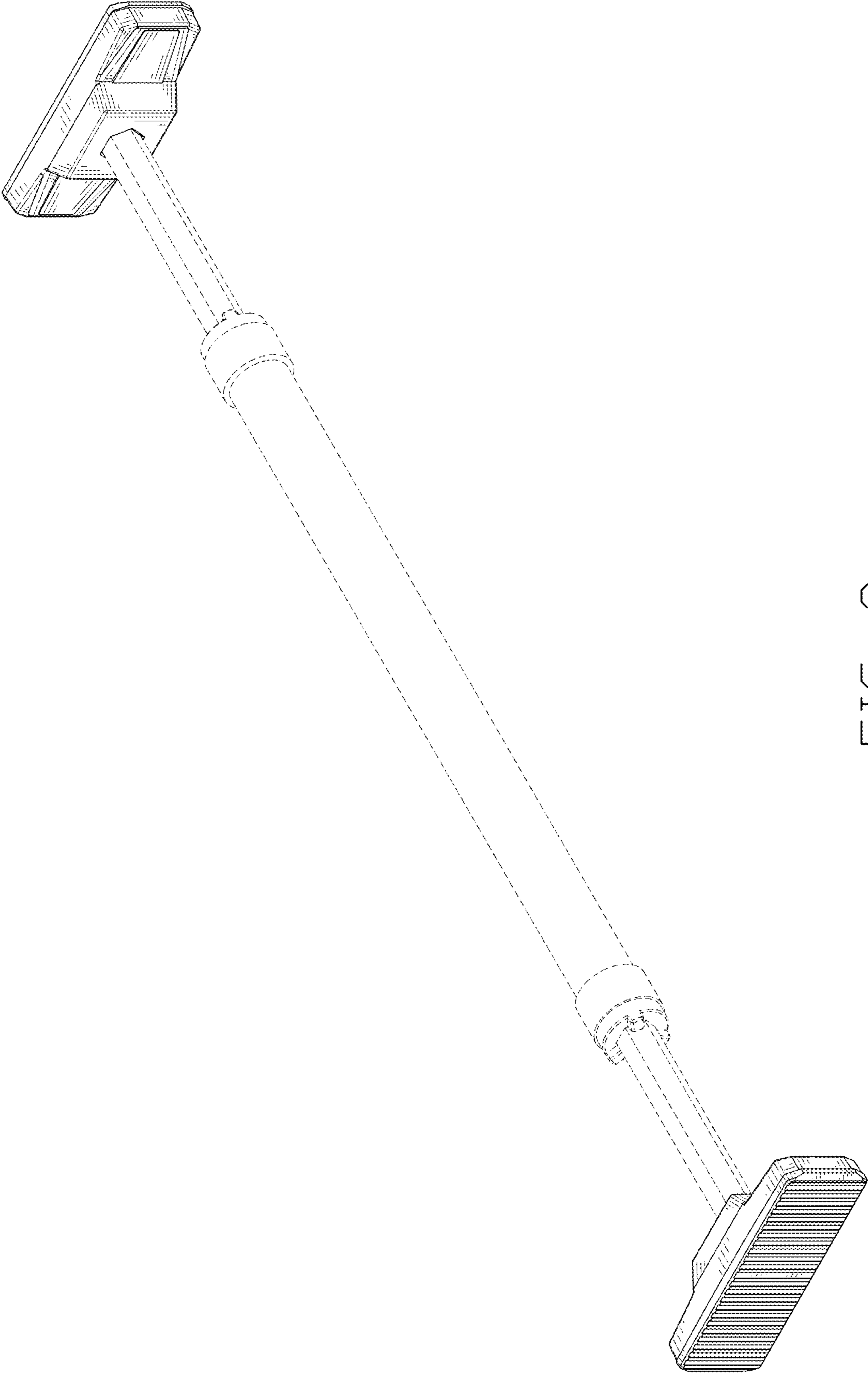


FIG. 2

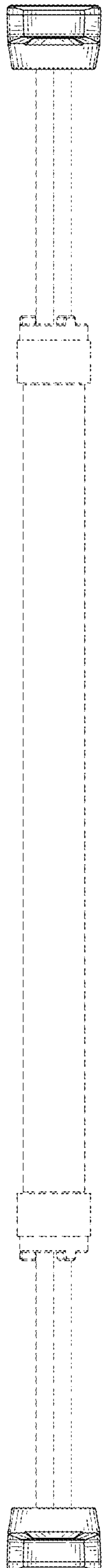


FIG. 3

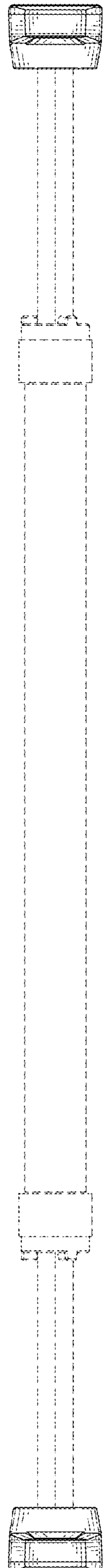


FIG. 4

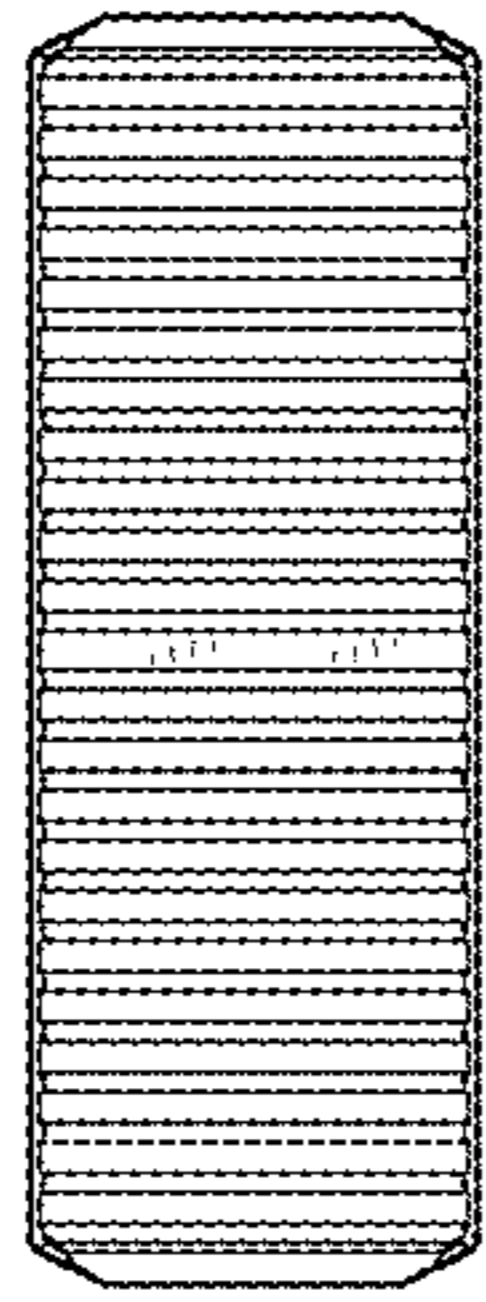


FIG. 5

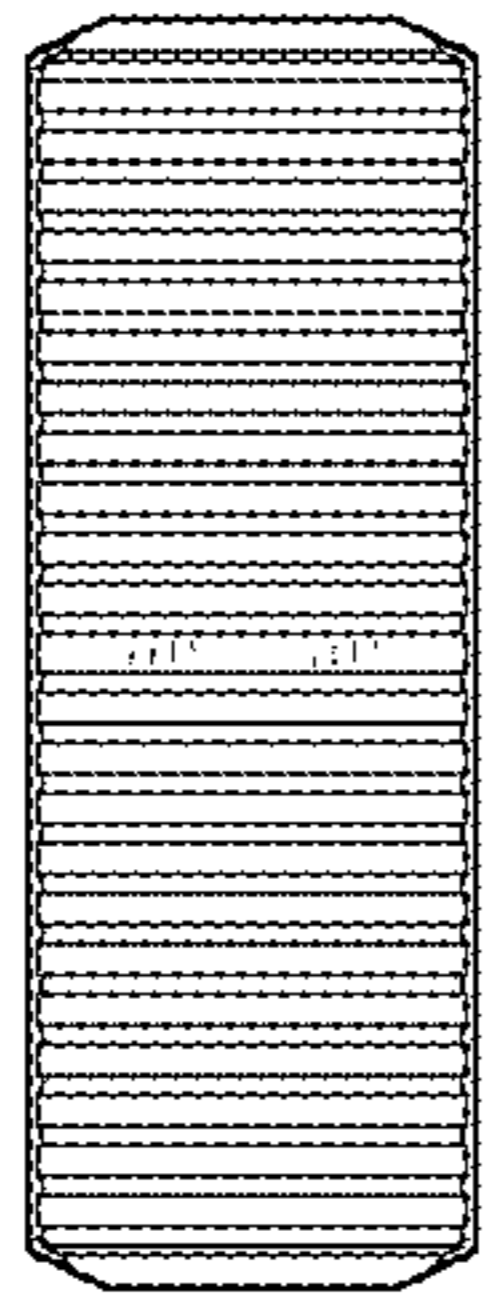


FIG. 6

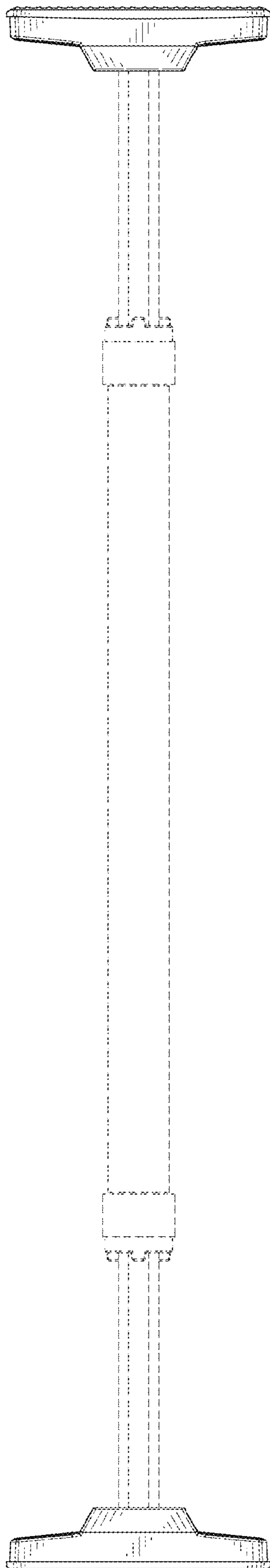


FIG. 7

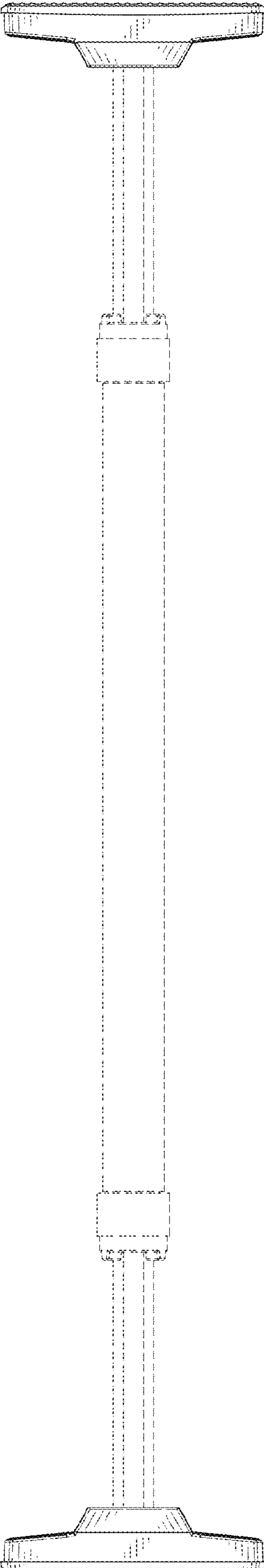


FIG. 8

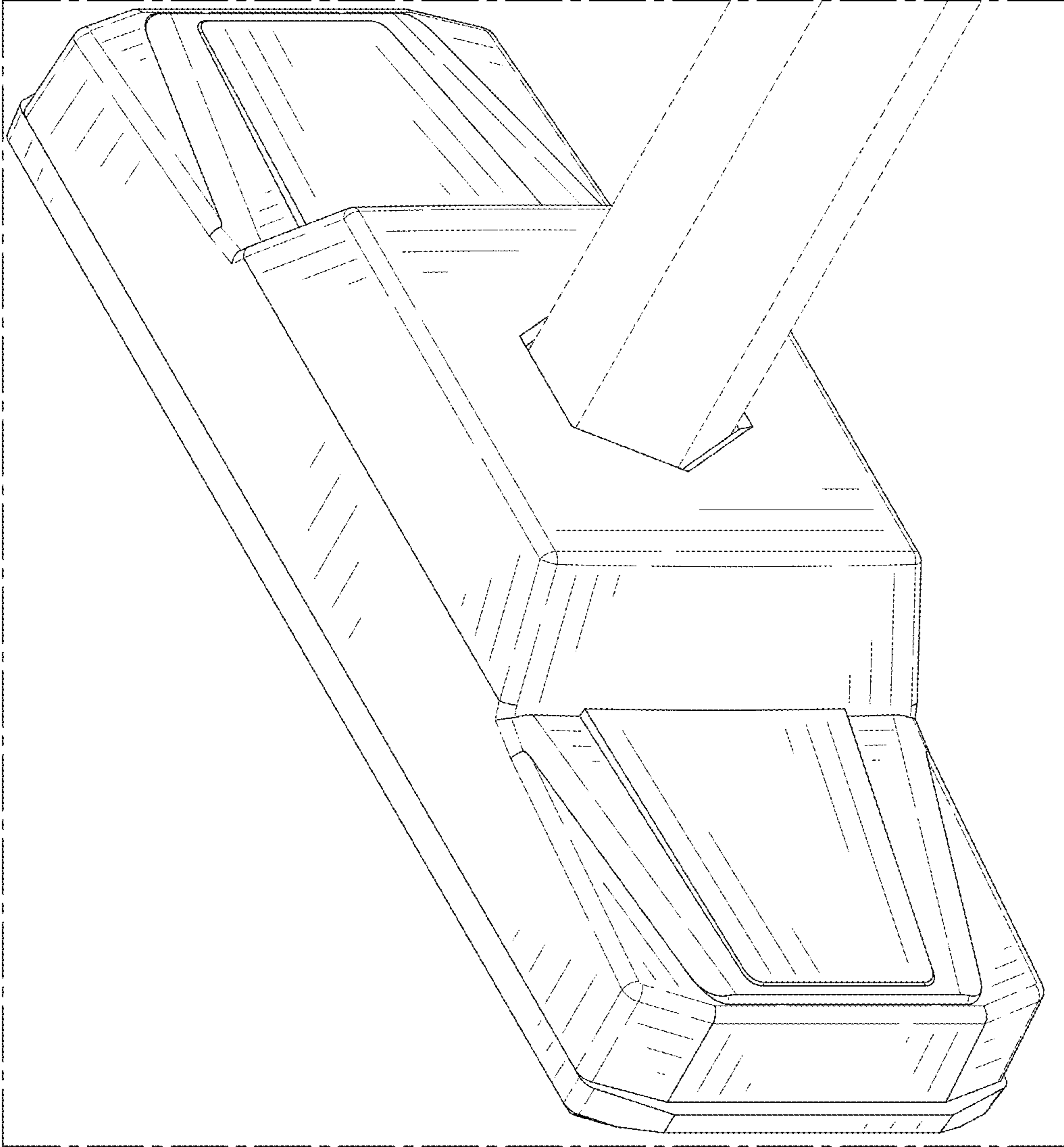


FIG. 9