



US00D972052S

(12) **United States Design Patent** (10) **Patent No.:** **US D972,052 S**
Servadei et al. (45) **Date of Patent:** **** Dec. 6, 2022**

(54) **EXERCISE EQUIPMENT**

(71) Applicant: **TECHNOGYM S.p.A.**, Forli'-Cesena (IT)

(72) Inventors: **Simone Servadei**, Forli'-Cesena (IT);
Nerio Alessandri, Forli'-Cesena (IT);
Mario Fedriga, Forli'-Cesena (IT)

(73) Assignee: **TECHNOGYM S.p.A.**

(**) Term: **15 Years**

(21) Appl. No.: **29/777,480**

(22) Filed: **Apr. 6, 2021**

Related U.S. Application Data

(62) Division of application No. 29/685,730, filed on Mar. 29, 2019, now Pat. No. Des. 918,317.

(30) **Foreign Application Priority Data**

Oct. 1, 2018 (EM) 005684024

(51) **LOC (13) Cl.** **21-02**

(52) **U.S. Cl.**
USPC **D21/669**

(58) **Field of Classification Search**
USPC D21/662, 668, 669, 670, 671, 686, 694
CPC . A63B 22/0285; A63B 22/02; A63B 2230/75;
A63B 2230/06
See application file for complete search history.

(56) **References Cited**

U.S. PATENT DOCUMENTS

D333,330 S * 2/1993 Clem D21/669
D424,137 S * 5/2000 Barker D21/669
D437,900 S * 2/2001 Dick D21/669
D447,780 S * 9/2001 Arnold D21/669
D523,099 S * 6/2006 Clifton D21/669
D531,683 S * 11/2006 Choi D21/669

D601,644 S * 10/2009 Kim D21/696
D682,372 S * 5/2013 Alessandri D21/669
D704,778 S * 5/2014 Decommer D21/669
D726,845 S * 4/2015 Hubler D21/694
D728,045 S * 4/2015 Hubler D21/694
D831,131 S * 10/2018 Zha D21/669
D854,101 S * 7/2019 Kruse D21/669
D859,543 S * 9/2019 Lisi D21/669
D889,569 S * 7/2020 Luo D21/669
D902,332 S * 11/2020 Kruse D21/669
D907,722 S * 1/2021 Fang D21/669

(Continued)

OTHER PUBLICATIONS

Technogym, "Excite Live Run", Access date Apr. 14, 2022. <https://www.technogym.com/us/excite-run.html>. (Year: 2022).*

(Continued)

Primary Examiner — Michael A Maharajh
(74) *Attorney, Agent, or Firm* — Thomas | Horstemeyer, LLP

(57) **CLAIM**

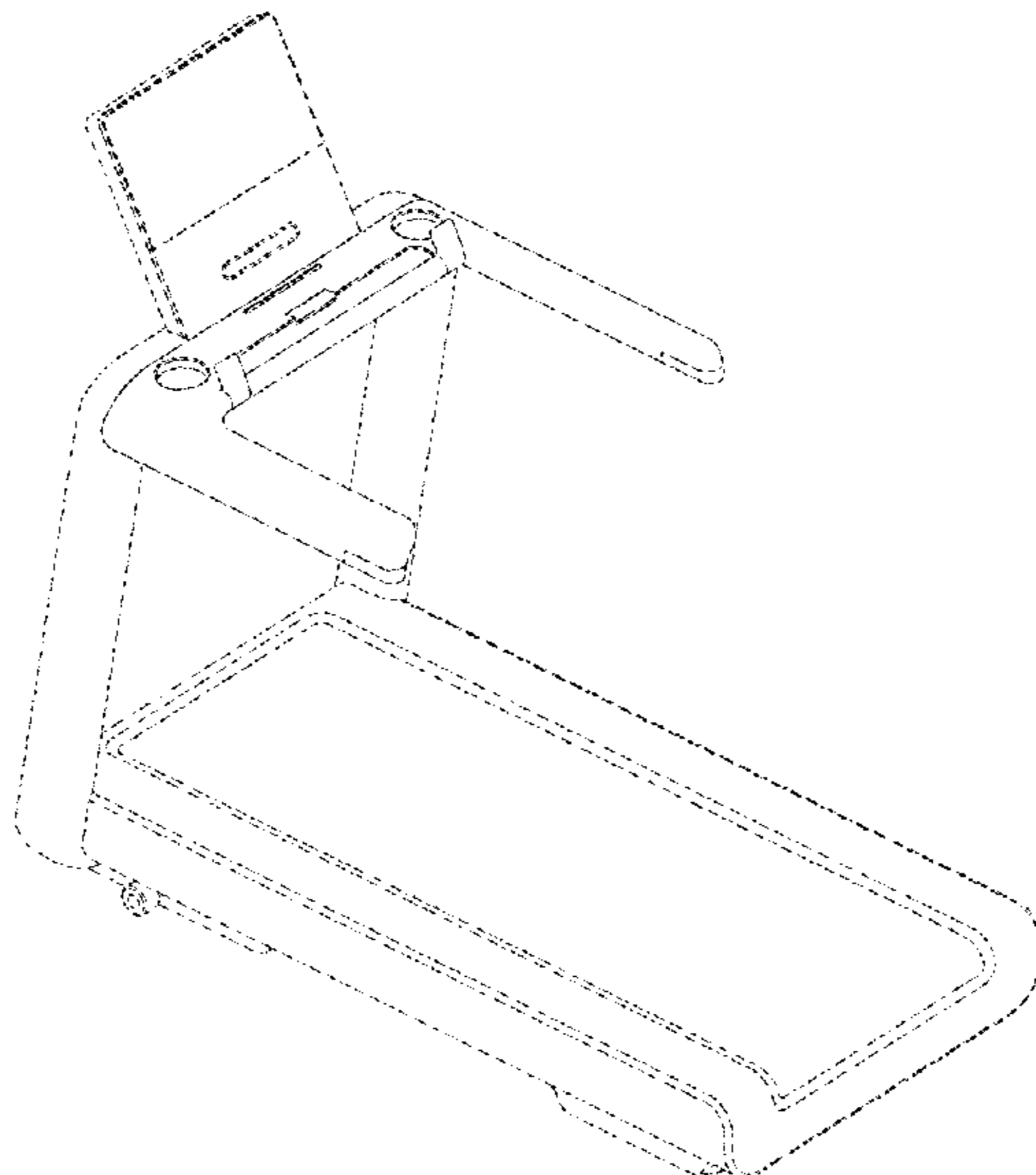
The ornamental design for an exercise equipment, as shown and described.

DESCRIPTION

FIG. 1 is a perspective view of exercise equipment, showing our new design;
FIG. 2 is a rear view thereof;
FIG. 3 is a front view thereof;
FIG. 4 is a side view thereof;
FIG. 5 is another side view thereof, from a side opposite that of FIG. 4;
FIG. 6 is a top view thereof; and,
FIG. 7 is a bottom view thereof.

The broken lines shown in the drawings are for the purpose of illustrating portions of the exercise equipment, which form no part of the claimed design.

1 Claim, 7 Drawing Sheets



(56)

References Cited

U.S. PATENT DOCUMENTS

D908,817 S * 1/2021 Wang D21/669
D910,123 S * 2/2021 Li D21/669
D918,317 S * 5/2021 Servadei D21/669
D934,352 S * 10/2021 Li D21/669
D934,353 S * 10/2021 Hu D21/669
D935,537 S * 11/2021 Wang D21/669
D946,097 S * 3/2022 Kruse D21/669
D947,966 S * 4/2022 Flick D21/694
2013/0267383 A1* 10/2013 Watterson A63B 24/0075
482/4
2017/0266497 A1* 9/2017 Sechrest G16H 20/30

OTHER PUBLICATIONS

Youtube, "Technogym Excite Live", Publish date Apr. 21, 2021.
<https://www.youtube.com/watch?v=ssnBxdm7KhQ>. (Year: 2021).*

* cited by examiner

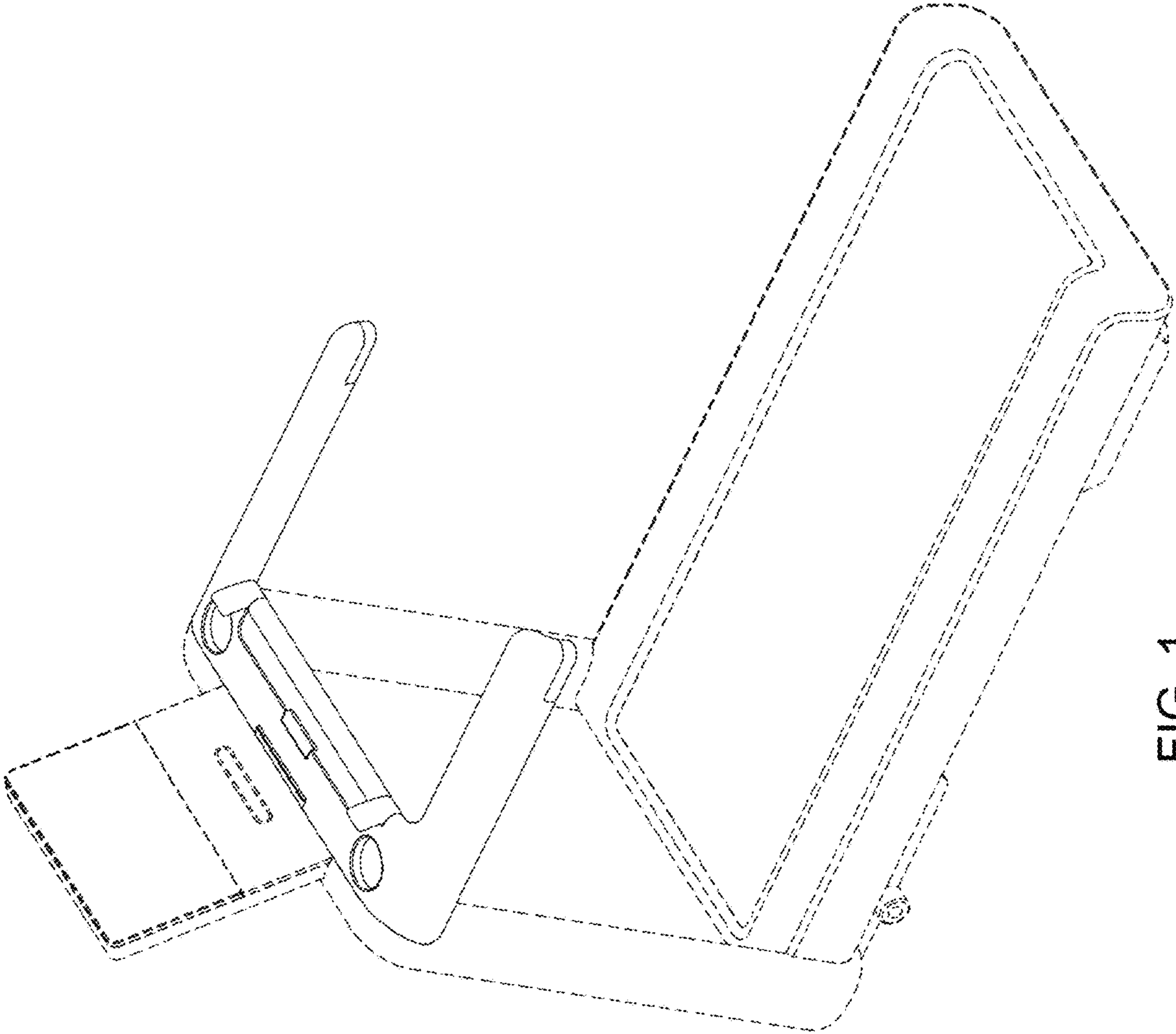


FIG. 1

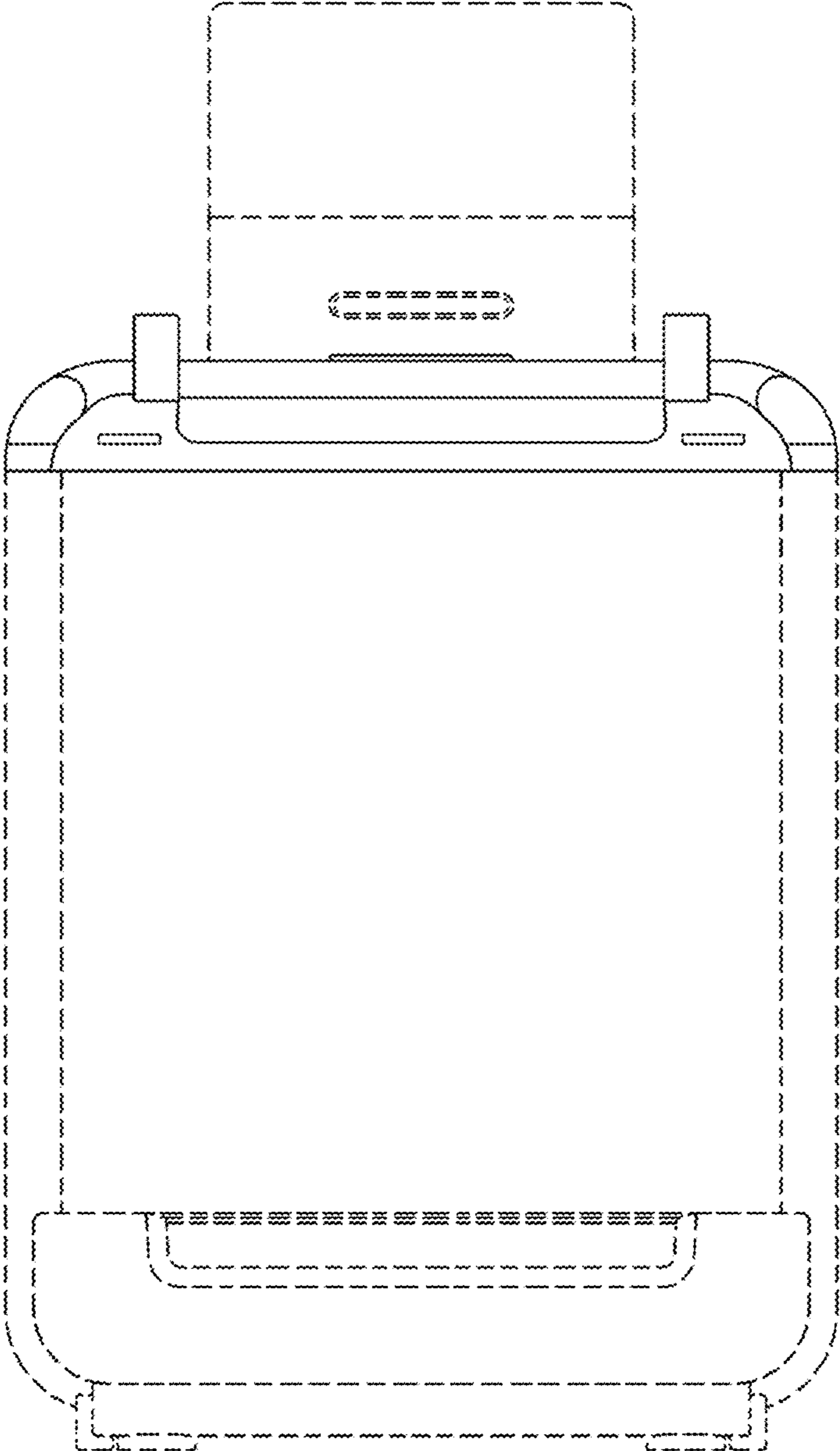


FIG. 2

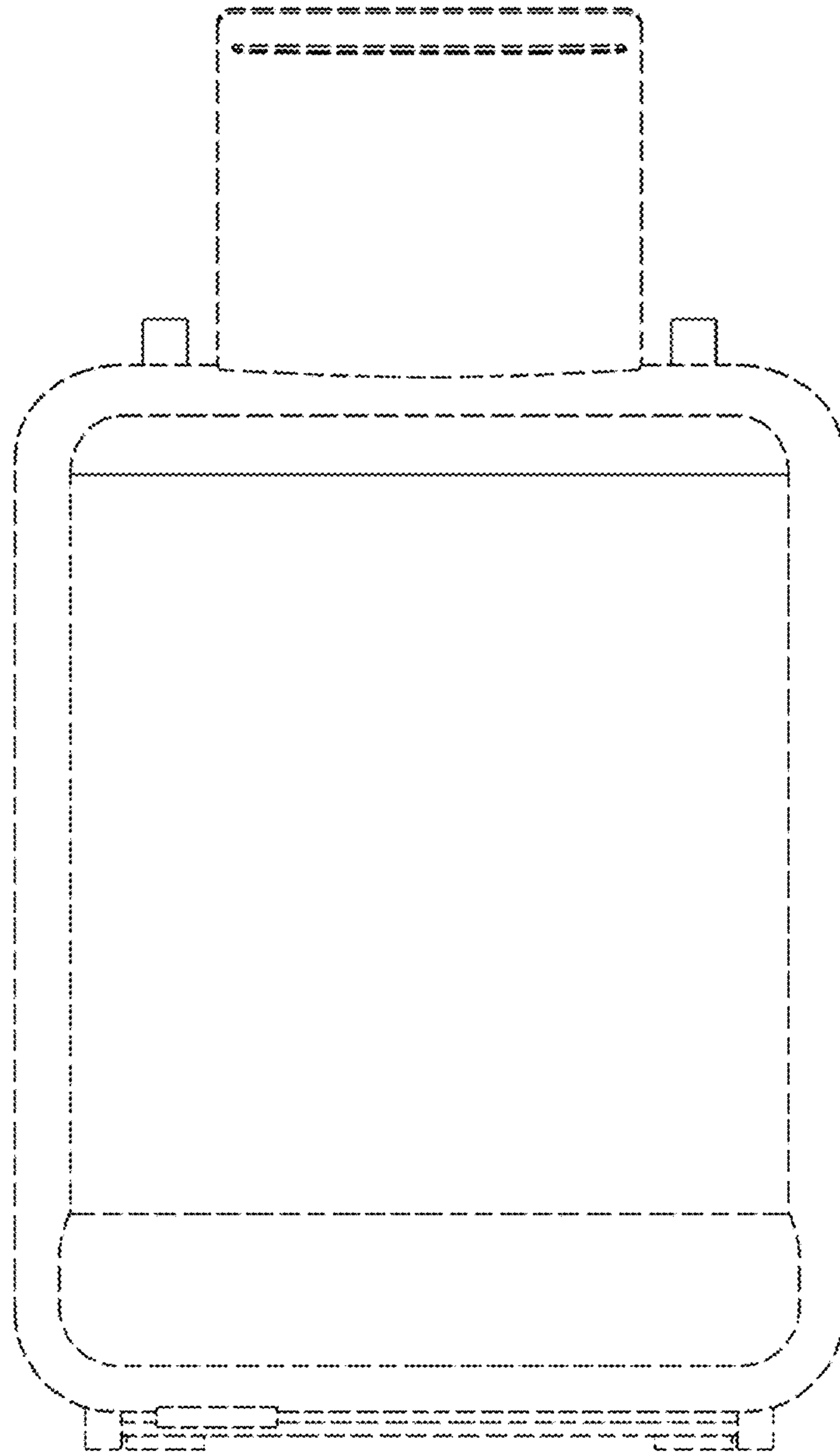


FIG. 3

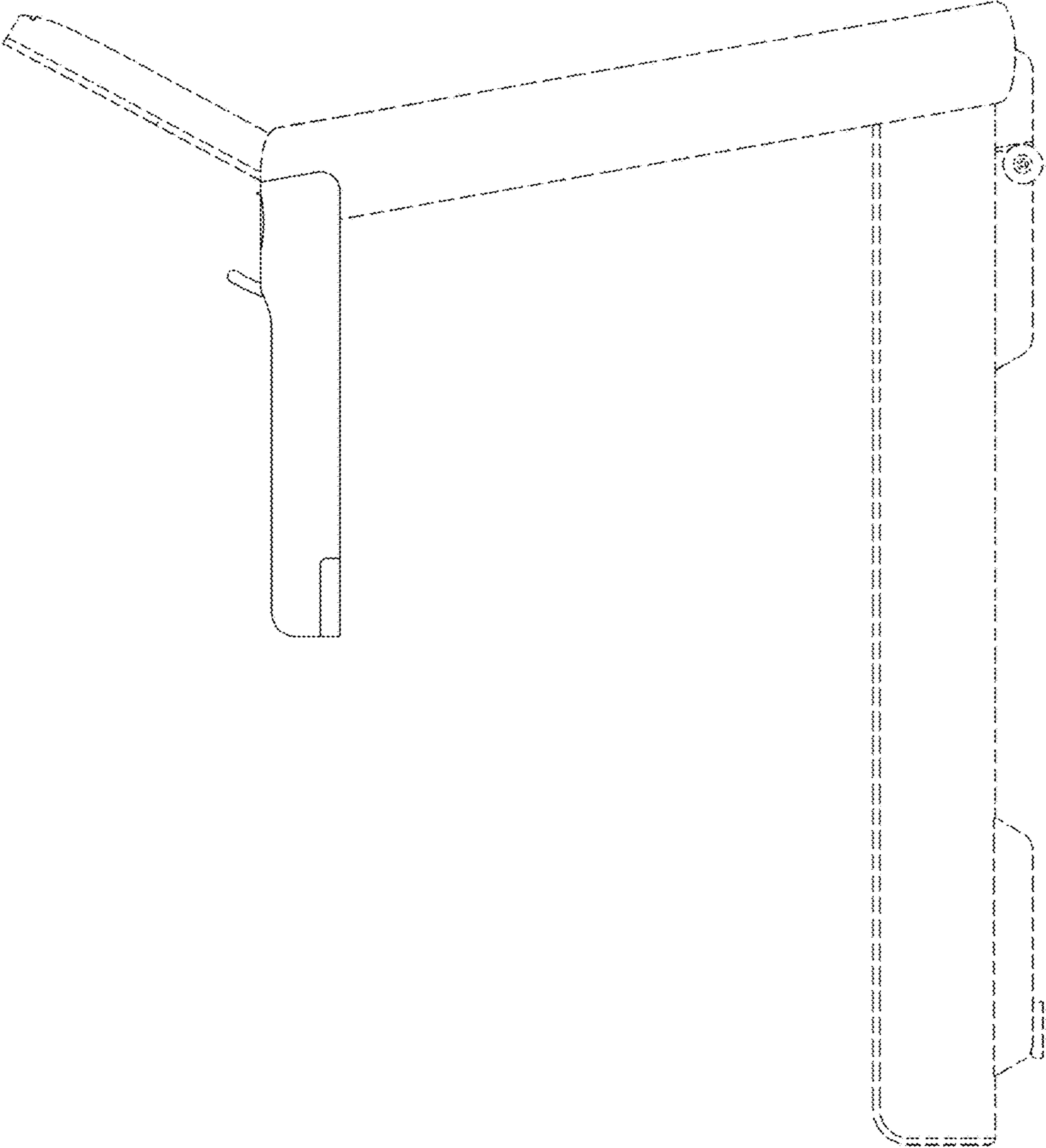


FIG. 4

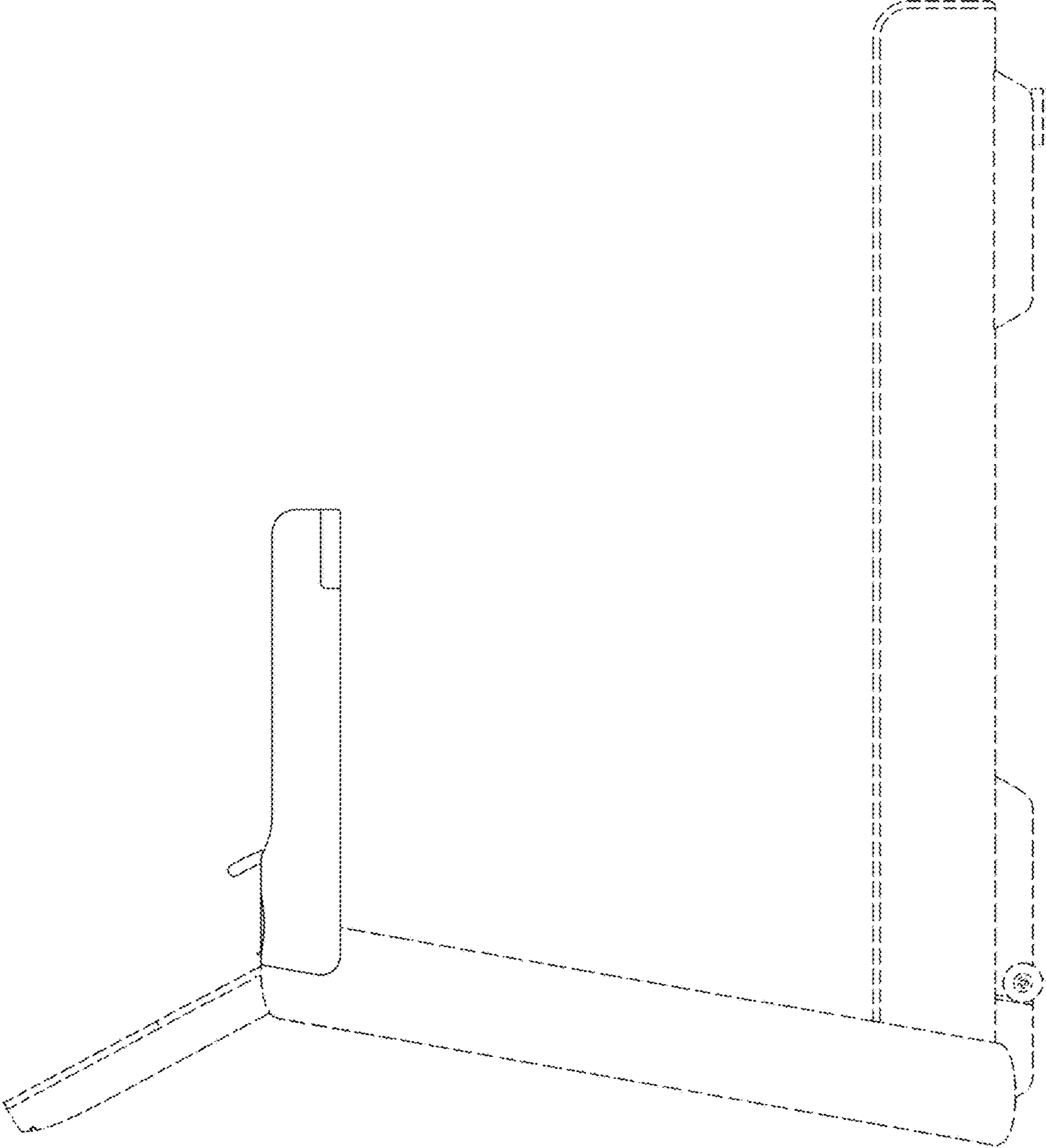


FIG. 5

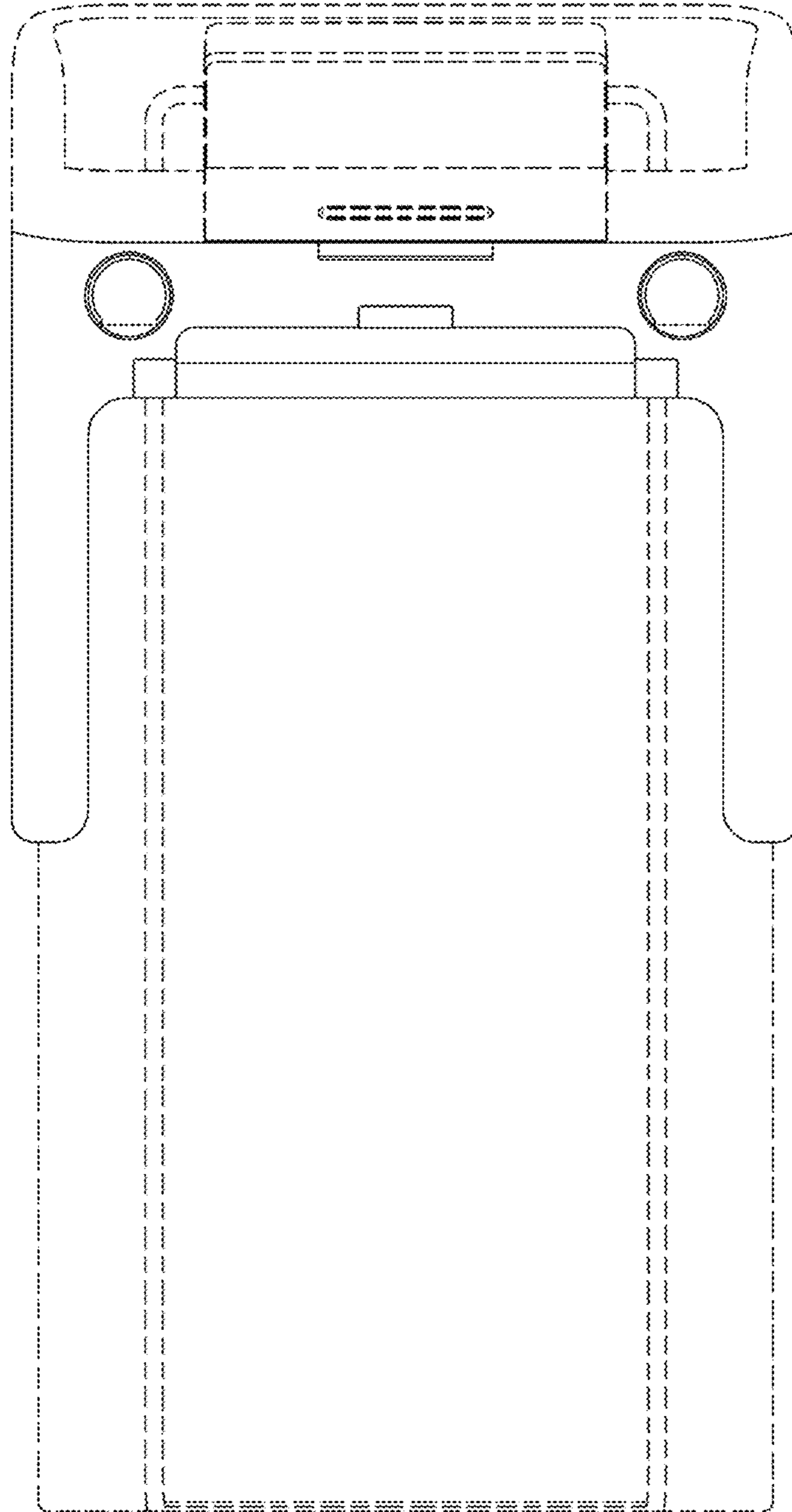


FIG. 6

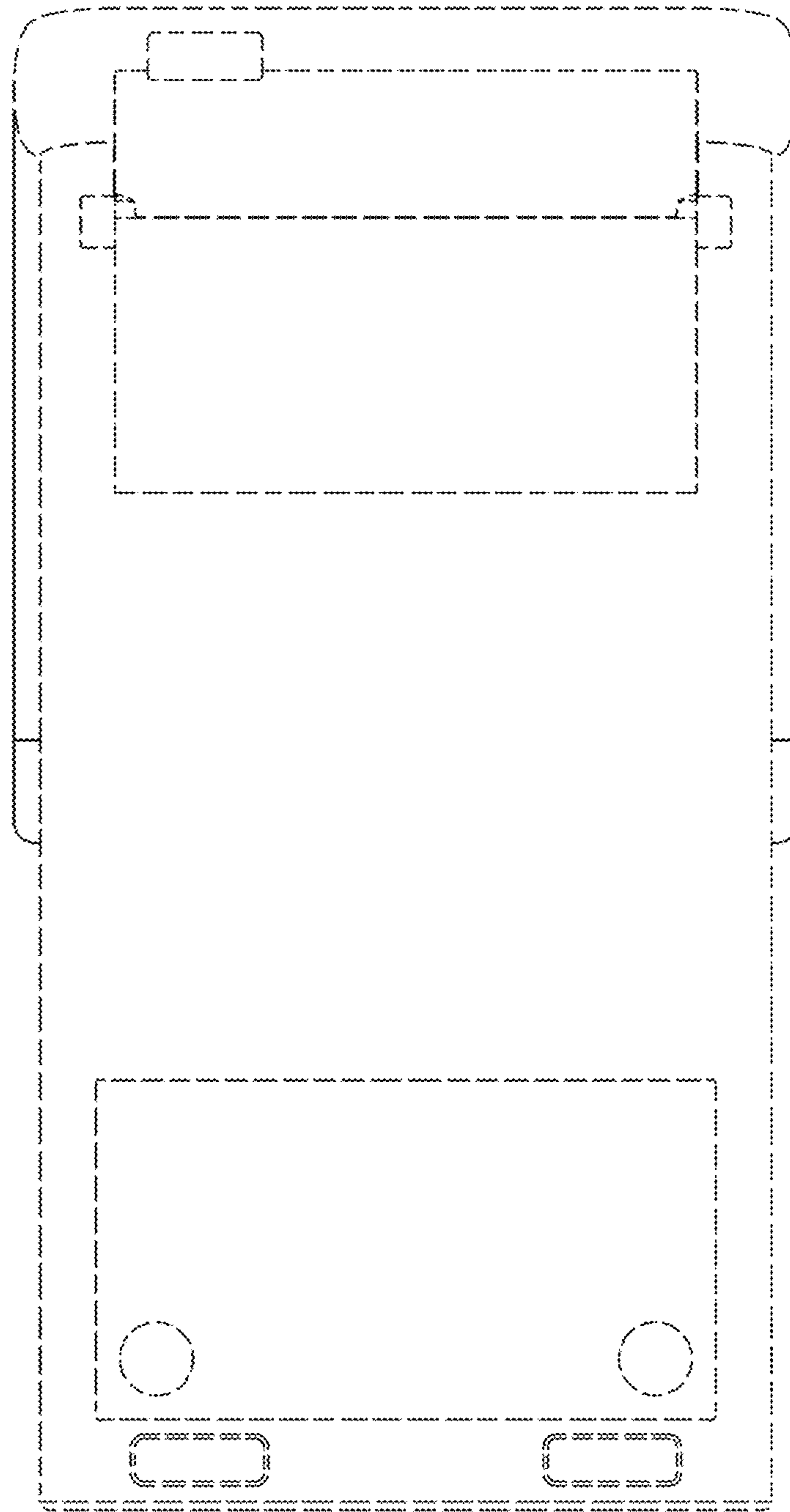


FIG. 7