



US00D972047S

(12) **United States Design Patent** (10) **Patent No.:** **US D972,047 S**  
**Bourke et al.** (45) **Date of Patent:** **\*\* Dec. 6, 2022**

- (54) **ROBOT** D641,808 S \* 7/2011 Matsuda ..... D21/578  
D719,620 S \* 12/2014 Clerc ..... B25J 5/007  
D21/578
- (71) Applicant: **THE PROVOST, FELLOWS, FOUNDATION SCHOLARS, AND THE OTHER MEMBERS OF BOARD OF THE COLLEGE OF THE HOLY AND UNDIVIDED TRINITY OF QUEEN ELIZABETH, NEAR DUBLIN COLLEGE GREEN C/O TRINITY COLLEGE DUBLIN, Dublin (IE)**  
D804,585 S 12/2017 Belker et al.  
9,878,445 B2 1/2018 Angle et al.  
D818,020 S \* 5/2018 McGinn ..... D15/199  
D826,303 S \* 8/2018 Metta ..... D15/199  
D839,940 S \* 2/2019 McGinn ..... D15/199  
D849,813 S \* 5/2019 Sutherland ..... D15/199  
D873,320 S \* 1/2020 Clerc ..... D15/199  
D909,495 S \* 2/2021 Lee ..... D21/578  
D909,496 S \* 2/2021 Zou ..... D21/578  
D910,122 S \* 2/2021 Lee ..... D21/578  
D919,717 S \* 5/2021 Paul ..... D21/578  
D923,723 S \* 6/2021 Yang ..... D21/578
- (72) Inventors: **Eamonn Bourke, Dublin (IE); Conor McGinn, Dublin (IE)**  
2005/0222713 A1 10/2005 Kawabe et al.  
2006/0013469 A1 1/2006 Wang et al.
- (73) Assignee: **THE PROVOST, FELLOWS, FOUNDATION SCHOLARS, AND THE OTHER MEMBERS OF BOARD OF THE COLLEGE OF THE HOLY AND UNDIVIDED TRINITY OF QUEEN ELIZABETH, NEAR DUBLIN, Dublin (IE)**  
2006/0182596 A1 8/2006 Dent  
2008/0167160 A1 7/2008 Koike

(Continued)

*Primary Examiner* — Michael C Stout  
*Assistant Examiner* — Melvin L Davis  
(74) *Attorney, Agent, or Firm* — Arc IP Law, PC; Joseph J. Mayo

(\*\*) Term: **15 Years**

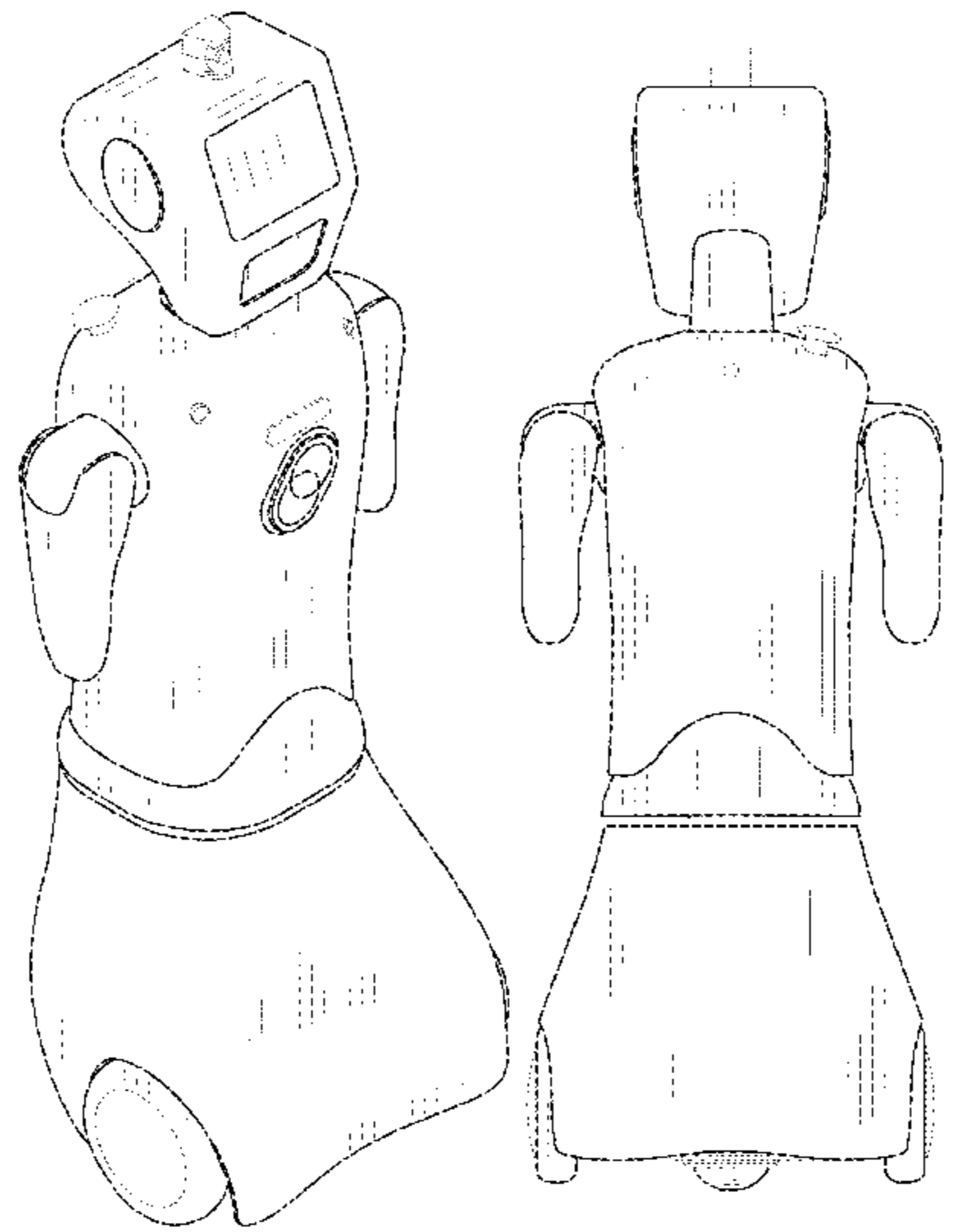
- (21) Appl. No.: **29/724,009**
- (22) Filed: **Feb. 12, 2020**
- (51) **LOC (13) Cl.** ..... **21-02**
- (52) **U.S. Cl.**  
USPC ..... **D21/578**
- (58) **Field of Classification Search**  
USPC ..... D21/578–583, 621–622; D15/199;  
D16/203  
CPC ..... B25J 9/0006; B25J 9/0009; B25J 9/0003;  
B25J 9/00  
See application file for complete search history.

- (56) **References Cited**  
U.S. PATENT DOCUMENTS  
D453,199 S \* 1/2002 Sawai ..... D21/578  
D559,288 S \* 1/2008 Matsuda ..... D15/199

(57) **CLAIM**  
The ornamental design for a robot, as shown and described.

**DESCRIPTION**  
FIG. 1 is an upper left perspective view of a robot.  
FIG. 2 is a front view of the robot of FIG. 1.  
FIG. 3 is a back view of the robot of FIG. 1.  
FIG. 4 is a top view of the robot of FIG. 1.  
FIG. 5 is a bottom view of the robot of FIG. 1.  
FIG. 6 is a left side view of the robot of FIG. 1; and,  
FIG. 7 is a right side view of the robot of FIG. 1.  
The broken lines in the drawings depict portions of the robot that form no part of the claimed design.

**1 Claim, 7 Drawing Sheets**



(56)

**References Cited**

U.S. PATENT DOCUMENTS

2009/0118865 A1\* 5/2009 Egawa ..... B25J 19/023  
700/259  
2010/0010672 A1 1/2010 Wang et al.  
2012/0061155 A1 3/2012 Berger et al.  
2017/0072284 A1 3/2017 Thoman et al.  
2018/0021941 A1 1/2018 Berger et al.  
2018/0043532 A1 2/2018 Lection et al.  
2018/0043543 A1 2/2018 Buibas et al.

\* cited by examiner

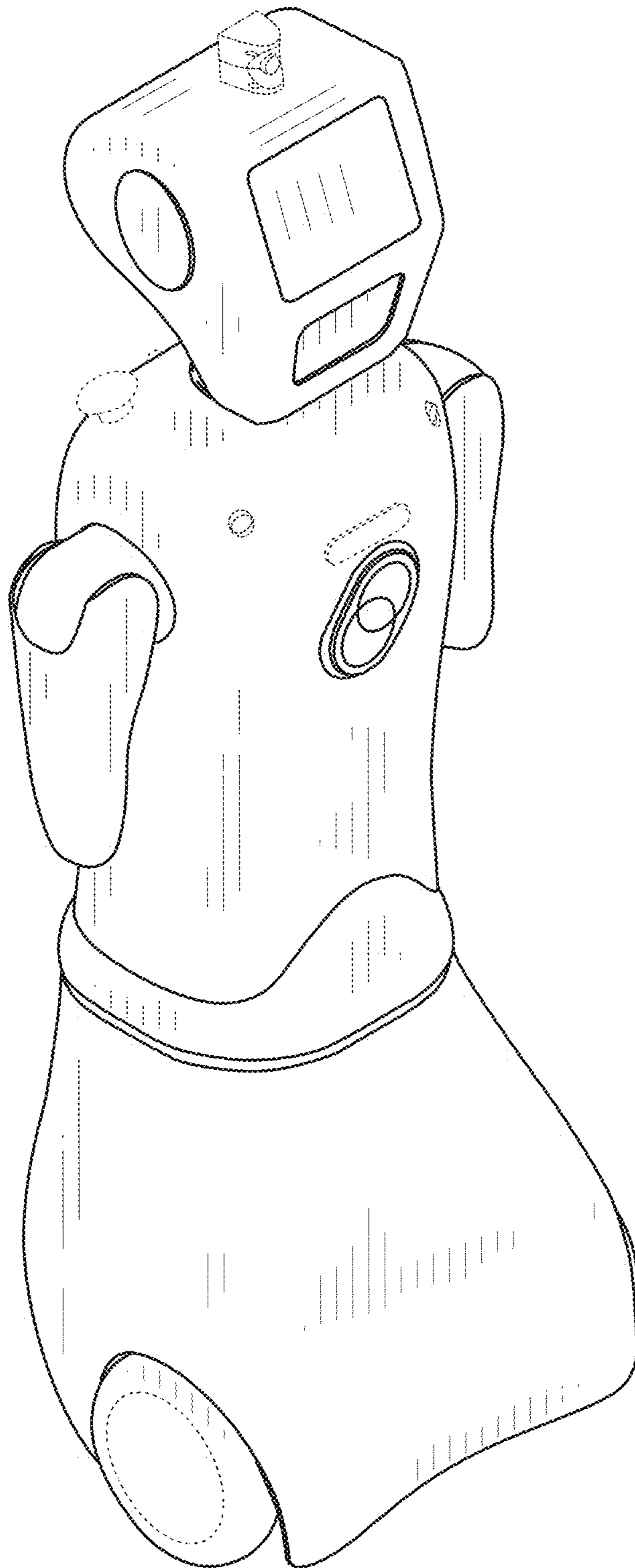


FIG. 1

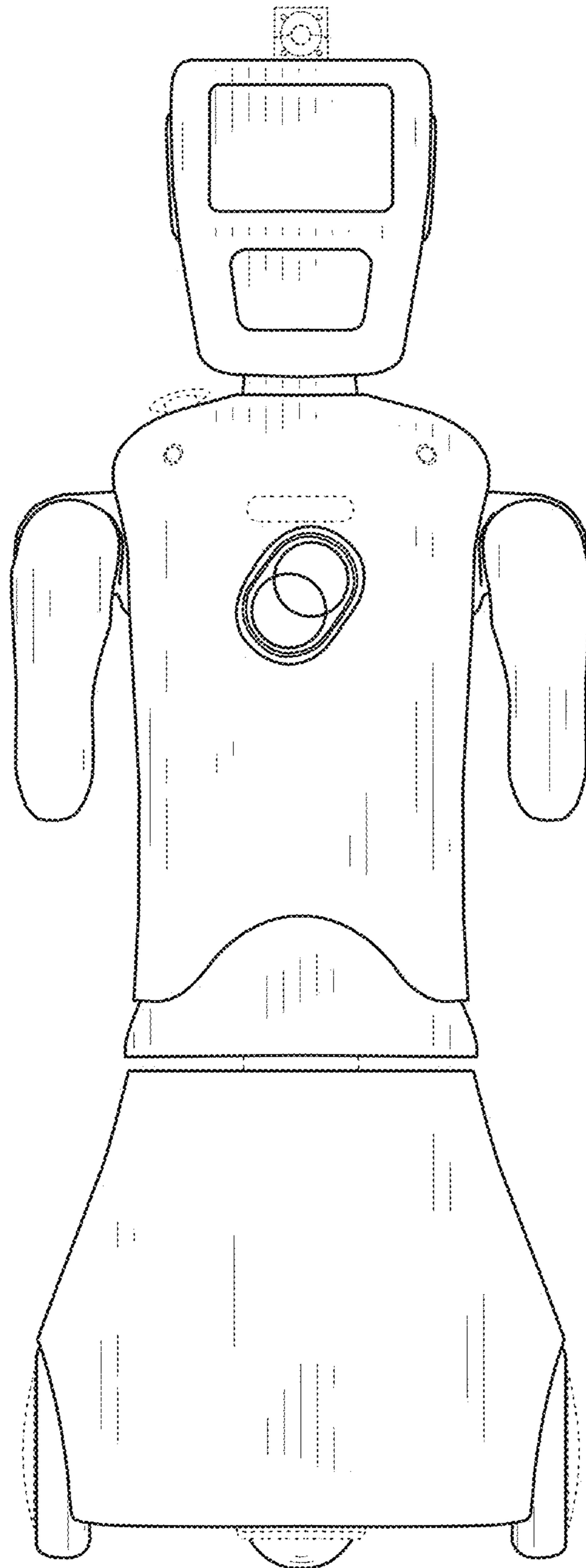


FIG. 2

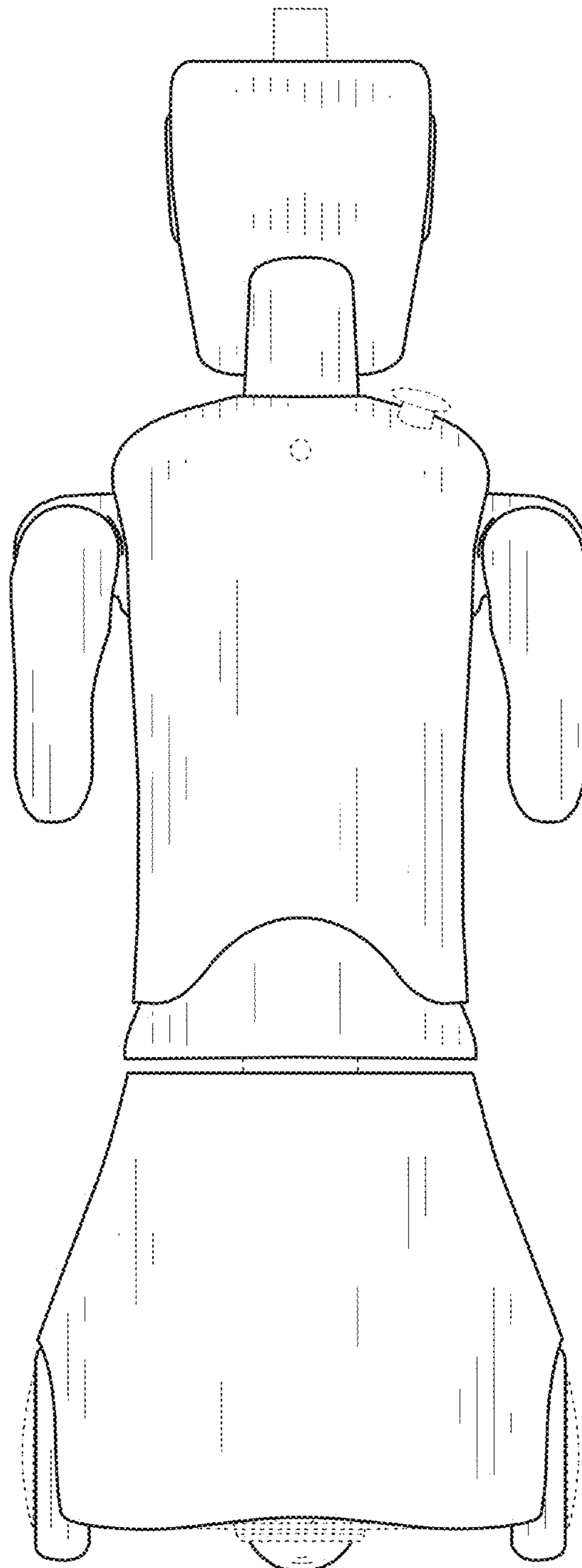


FIG. 3

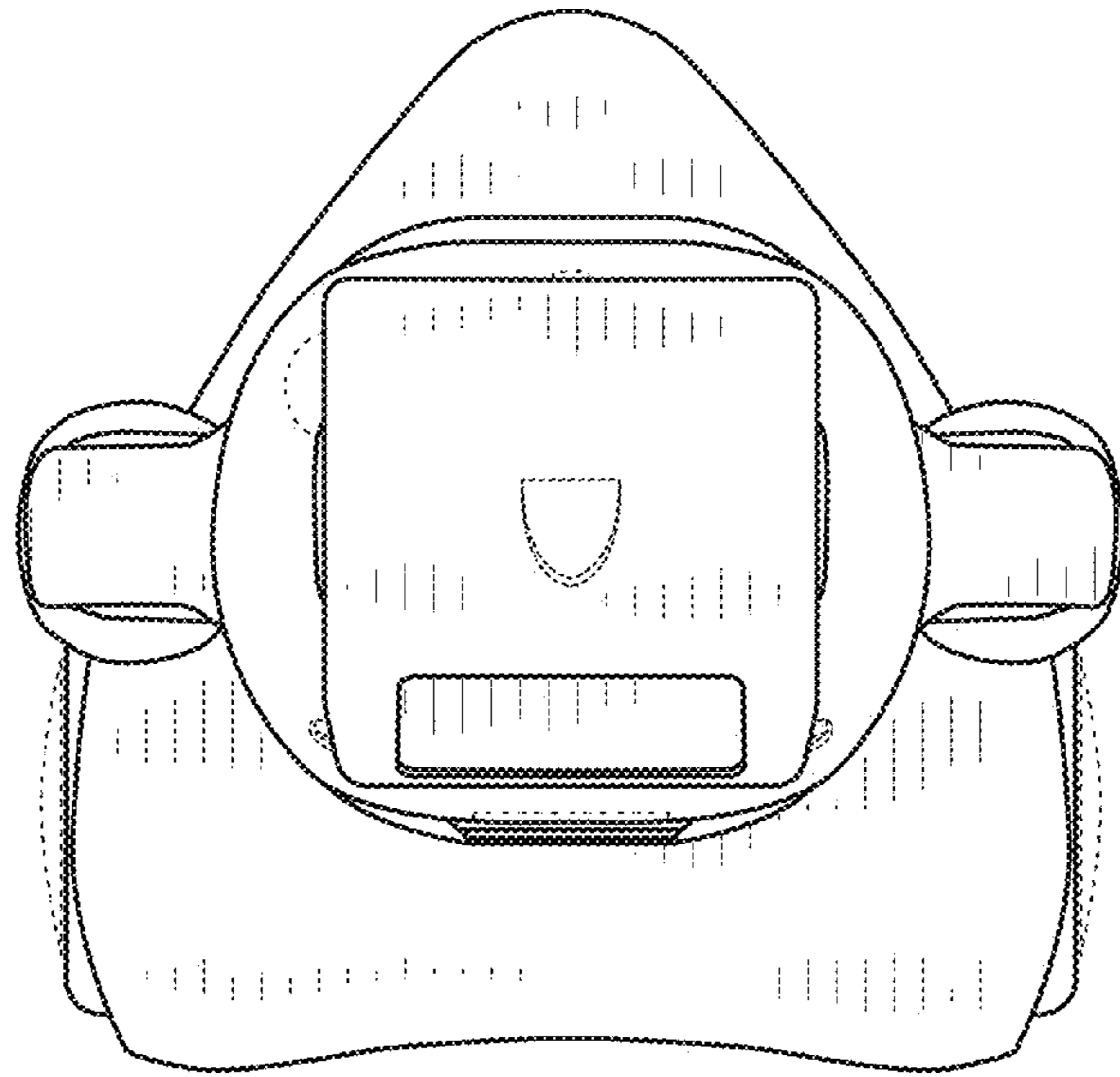


FIG. 4

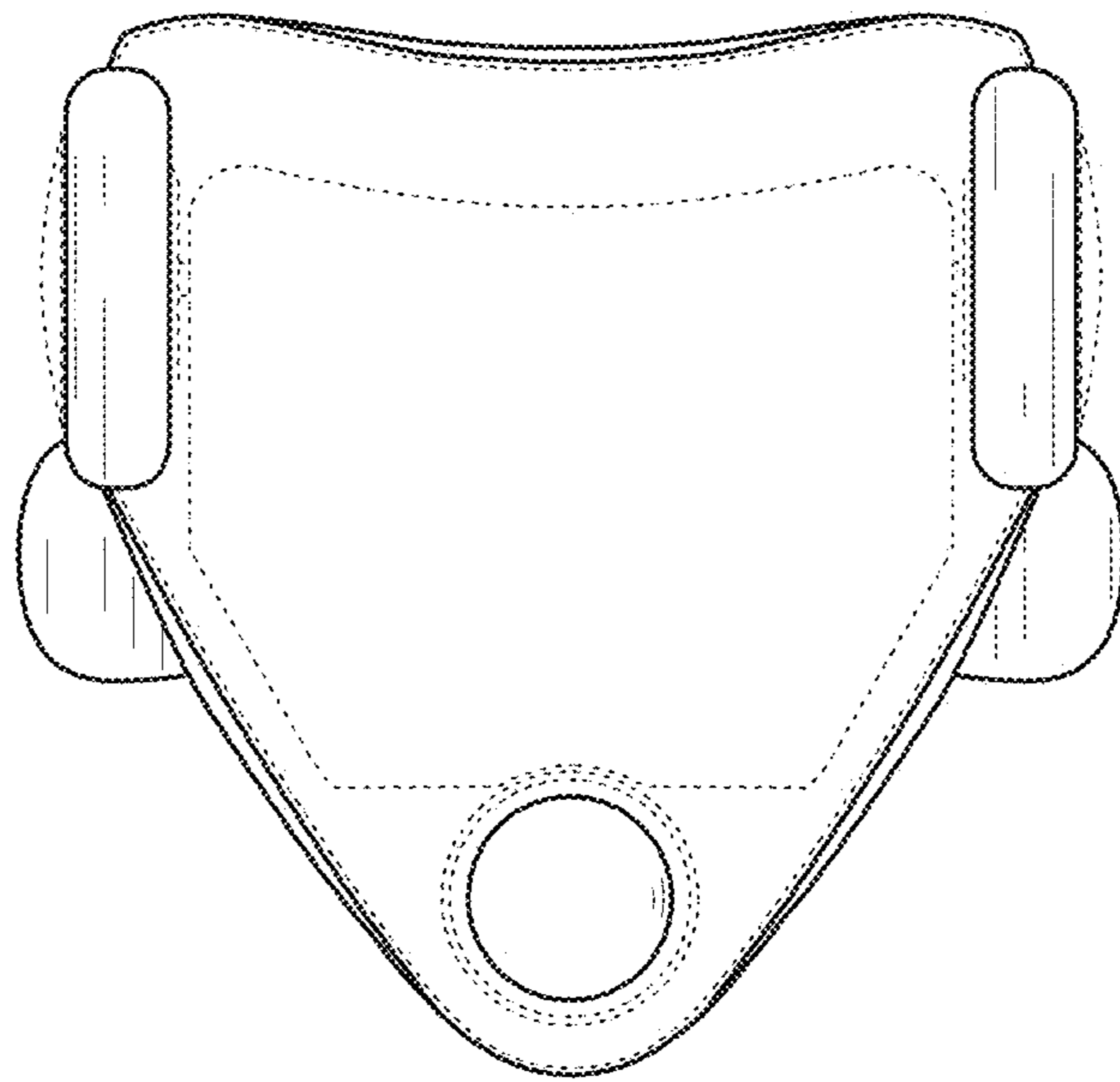


FIG. 5

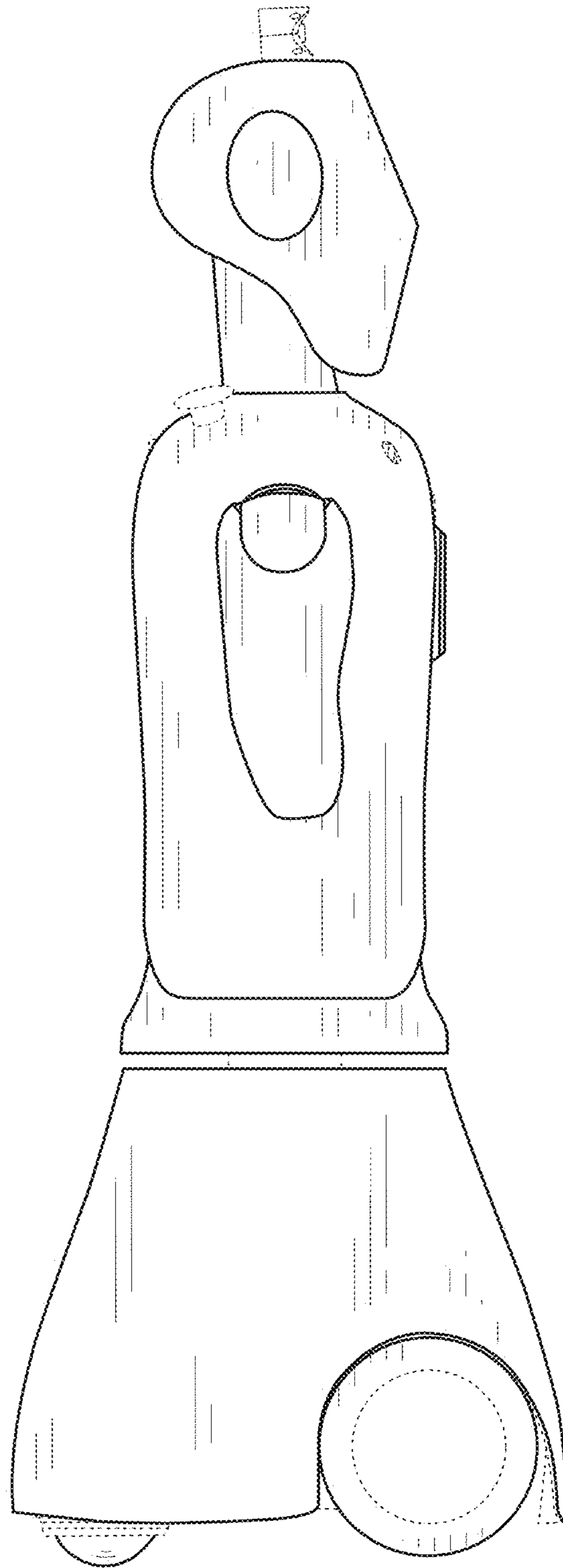


FIG. 6



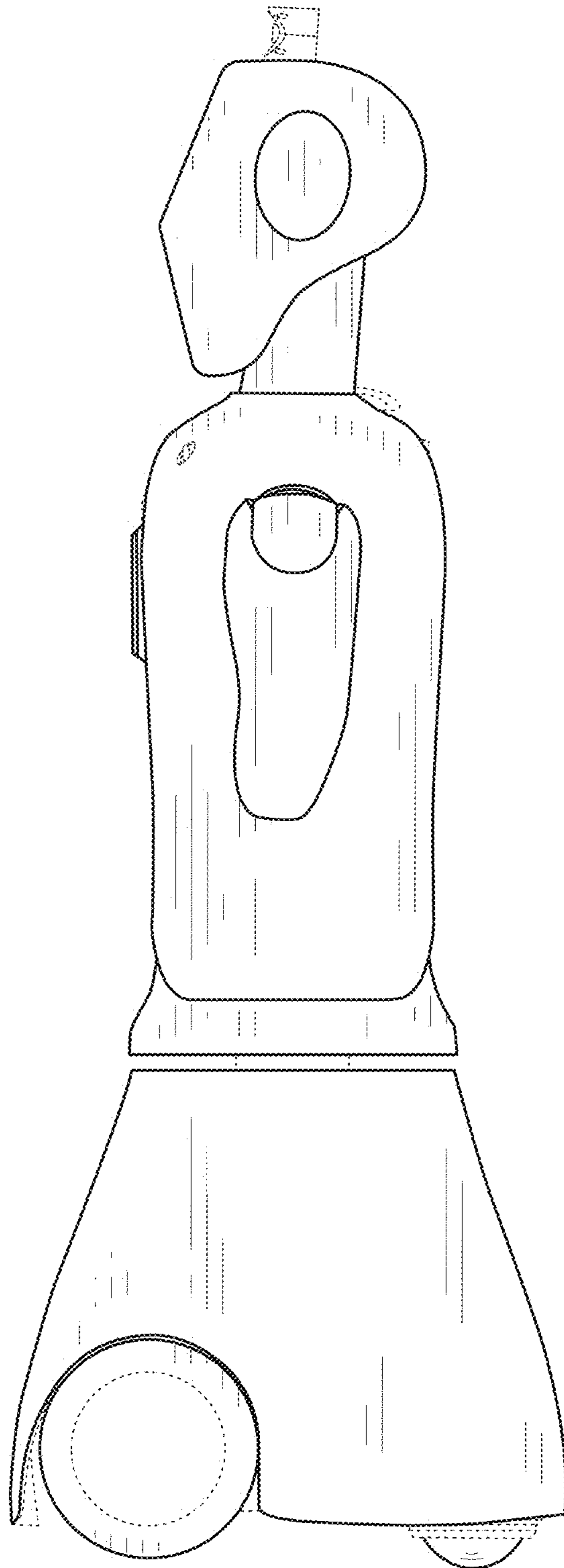


FIG. 7