



US00D972044S

(12) **United States Design Patent**
Baumann et al.

(10) **Patent No.:** **US D972,044 S**

(45) **Date of Patent:** **** Dec. 6, 2022**

(54) **SNAP TOY**

(71) Applicant: **Procreate Brands LLC**, Ferndale, WA (US)

(72) Inventors: **Scott Baumann**, Anacortes, WA (US);
Edwin Cheong, Bellingham, WA (US)

(73) Assignee: **Procreate Brands LLC**, Ferndale, WA (US)

(**) Term: **15 Years**

(21) Appl. No.: **29/712,241**

(22) Filed: **Nov. 6, 2019**

(51) **LOC (13) Cl.** **21-01**

(52) **U.S. Cl.**
USPC **D21/460**

(58) **Field of Classification Search**
USPC D21/398, 405, 406, 407, 455, 456,
D21/459-464, 468, 677, 678, 682, 684,
D21/692, 713; D24/133, 147, 195, 214,
D24/215, 231; D11/79; D30/160;
446/236-266, 397

CPC A63H 5/00; A63B 21/00; A63B 21/0089;
A63B 21/045; A63B 23/16; A63B
21/4019; A63B 21/4021; A63B 23/00;
A63B 23/129; A63B 23/14; A63B 23/20

See application file for complete search history.

(56) **References Cited**

U.S. PATENT DOCUMENTS

2,459,300	A	1/1949	Wolf	
2,885,824	A	5/1959	Lemelson	
2,952,460	A	9/1960	Robert	
2,968,121	A	1/1961	Pearson et al.	
2,975,550	A	3/1961	Miller	
3,029,557	A	4/1962	Lemelson	
3,526,991	A	9/1970	Goldfarb et al.	
3,633,587	A *	1/1972	Hunt	A63H 5/00 606/235

3,702,038	A	11/1972	Hakim	
D318,506	S *	7/1991	Caranica	D21/468
D329,260	S *	9/1992	Williams	D21/406
D344,987	S *	3/1994	Spence, Jr.	D21/408
D391,307	S *	2/1998	Kuo	D21/455
D403,714	S *	1/1999	Rylands	D21/406
6,863,588	B1	3/2005	Chu	
6,896,577	B1	5/2005	Feng	
D610,627	S *	2/2010	Moore	D21/405
D637,368	S *	5/2011	Willinger	D30/160

(Continued)

OTHER PUBLICATIONS

“QDRAGON Snapper Fidget Toy”, posted Apr. 19, 2021: [Online],[retrieved Oct. 30, 2021], Retrieved from Internet: <https://amzn.to/3nFvIDt>.*

Primary Examiner — Mehri F Bajoul

(74) *Attorney, Agent, or Firm* — Schacht Law Office, Inc.; Michael R. Schacht

(57) **CLAIM**

The new design for a snap toy, as shown and described herein.

DESCRIPTION

FIG. 1 is a perspective view of an a snap toy of the present invention in a first configuration;

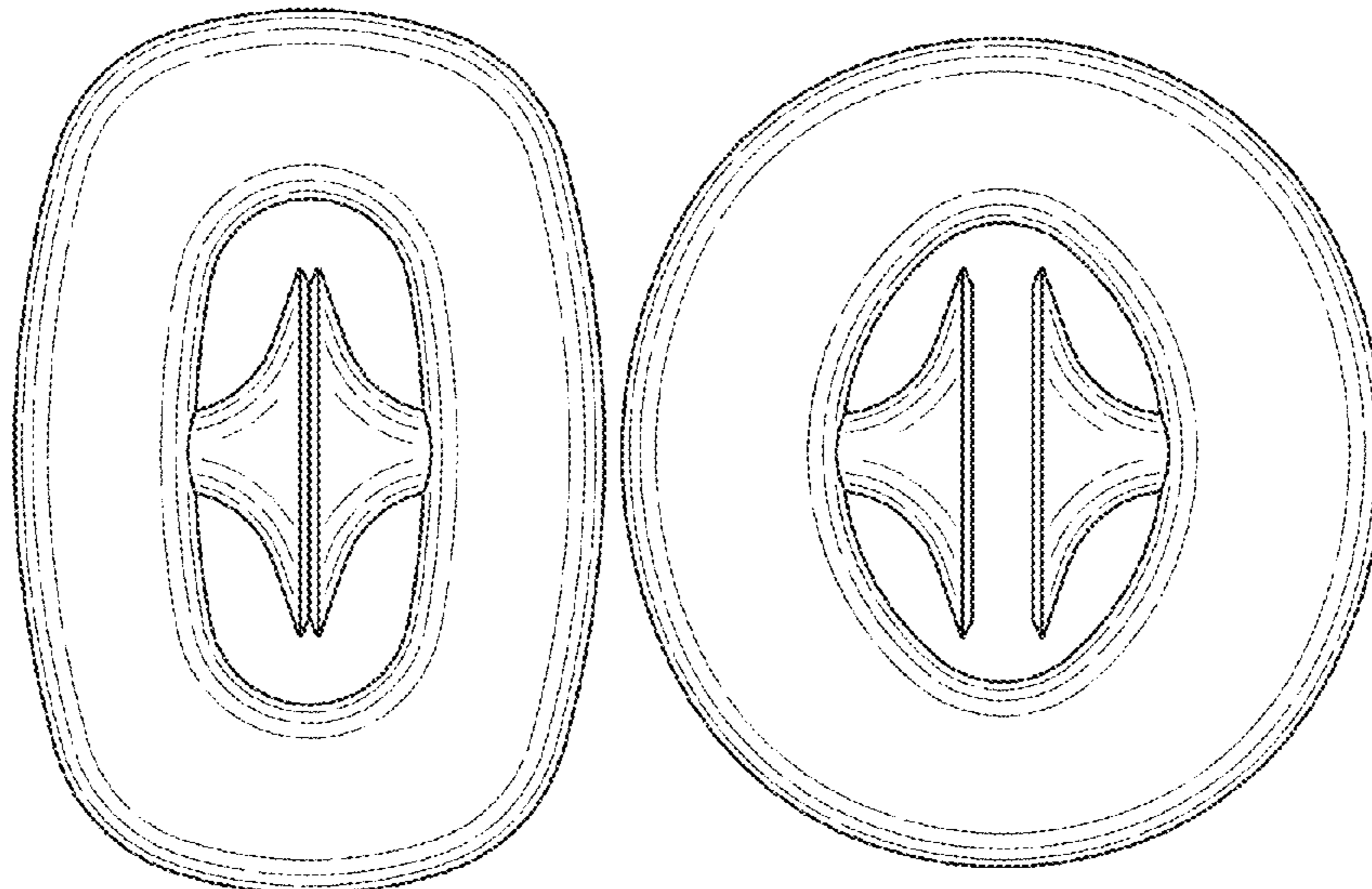
FIG. 2 is a front elevation view of the snap toy in the first configuration, the rear elevation view in the first configuration being identical;

FIG. 3 is a side elevation view of the snap toy in the first configuration, the opposite side elevation view in the first configuration being identical;

FIG. 4 is a top plan view of the snap toy in the first configuration, the bottom plan view in the first configuration being identical; and,

FIG. 5 is a front elevation view of the snap toy in a second configuration, the rear elevation view in the second configuration being identical.

1 Claim, 3 Drawing Sheets



(56)

References Cited

U.S. PATENT DOCUMENTS

D704,276	S	*	5/2014	Carmack	D21/405
D714,395	S	*	9/2014	Salvatore	D21/405
D715,369	S	*	10/2014	Carmack	D21/405
D727,433	S	*	4/2015	Salvatore	D21/405
D775,281	S	*	12/2016	Haut	D21/406
D814,579	S	*	4/2018	Williams	D21/713
D856,590	S	*	8/2019	Kaplan	D28/87
D859,534	S	*	9/2019	Brown	D21/405
D860,333	S	*	9/2019	Lederer	D21/455
D861,078	S	*	9/2019	Lin	D21/455
D872,807	S	*	1/2020	Lowsky	D21/455
D895,819	S	*	9/2020	Douglas	D24/195
D896,899	S	*	9/2020	Hochstrasser	D21/468
D903,777	S	*	12/2020	Carson	D21/468
D910,248	S	*	2/2021	Luk	D30/160
D921,125	S	*	6/2021	Carson	D21/468
D923,108	S	*	6/2021	Carson	D21/468
D924,722	S	*	7/2021	Deng	D11/141
D928,887	S	*	8/2021	Zhuravko	D21/455
D928,889	S	*	8/2021	Hochstrasser	D21/468
D934,109	S	*	10/2021	May	D11/79
11,305,206	B1		4/2022	Baumann et al.		
2008/0233832	A1		9/2008	Liro		
2019/0275285	A1	*	9/2019	Delp	A63H 33/006

* cited by examiner

FIG. 1

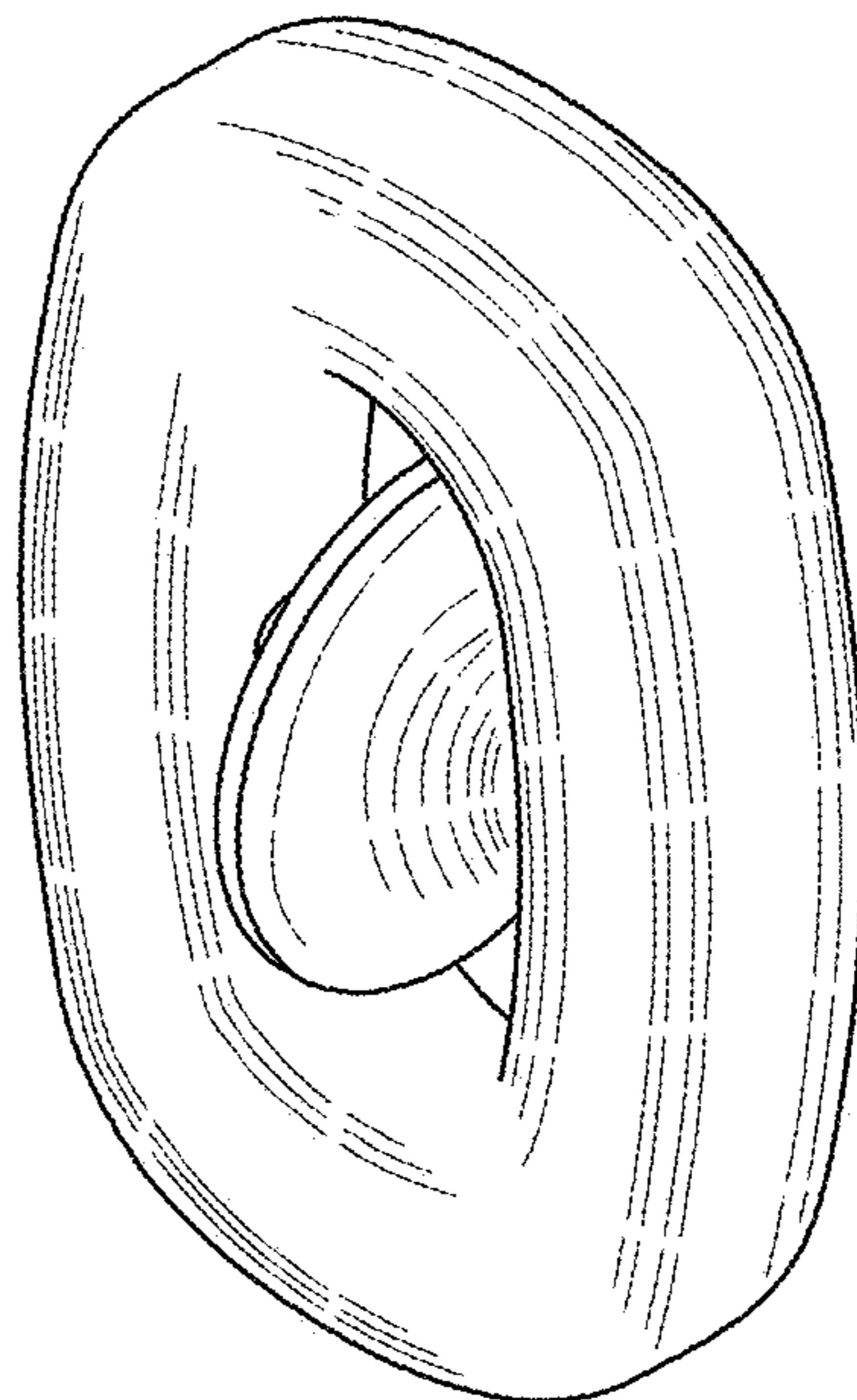


FIG. 2

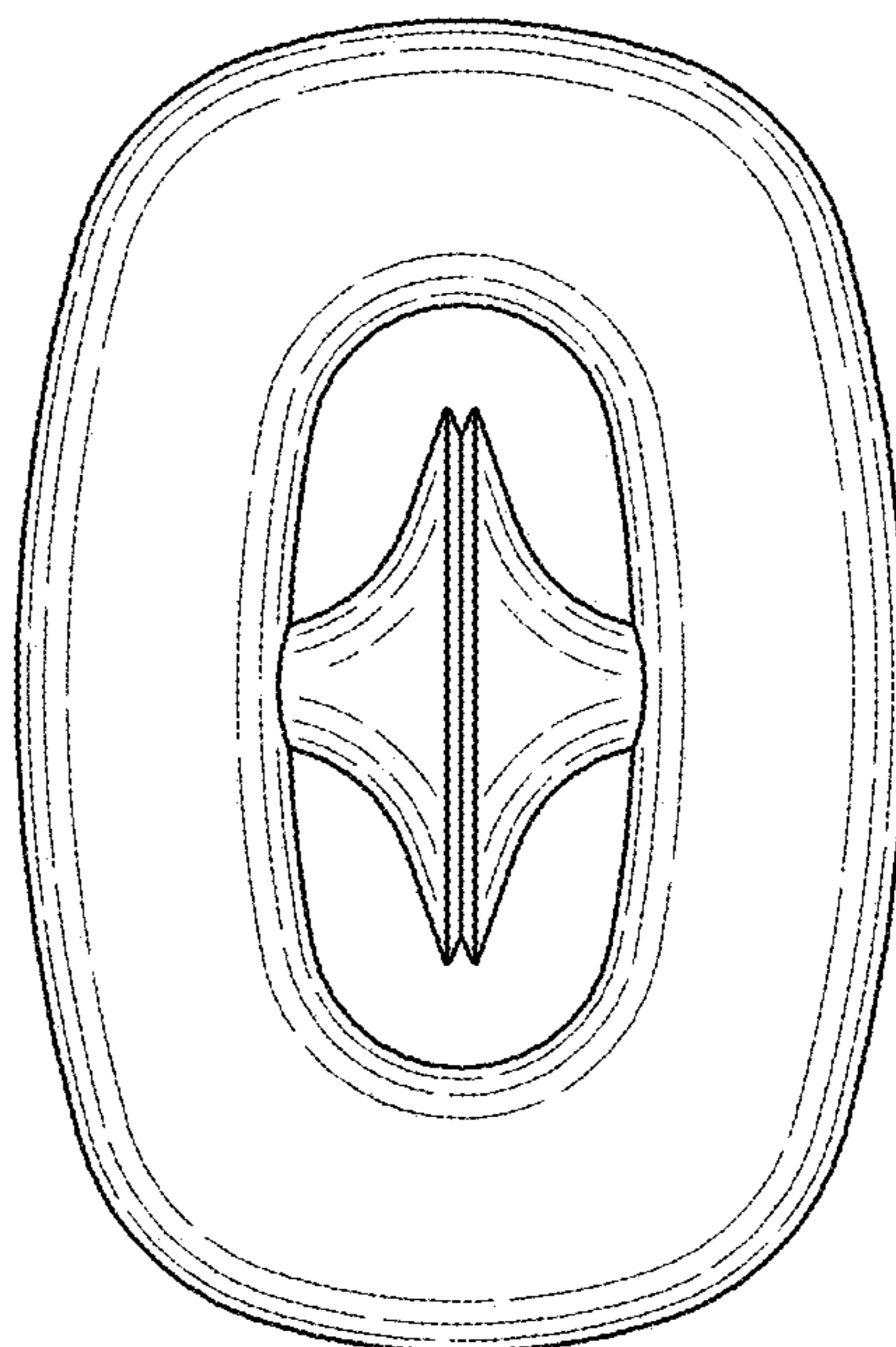


FIG. 3

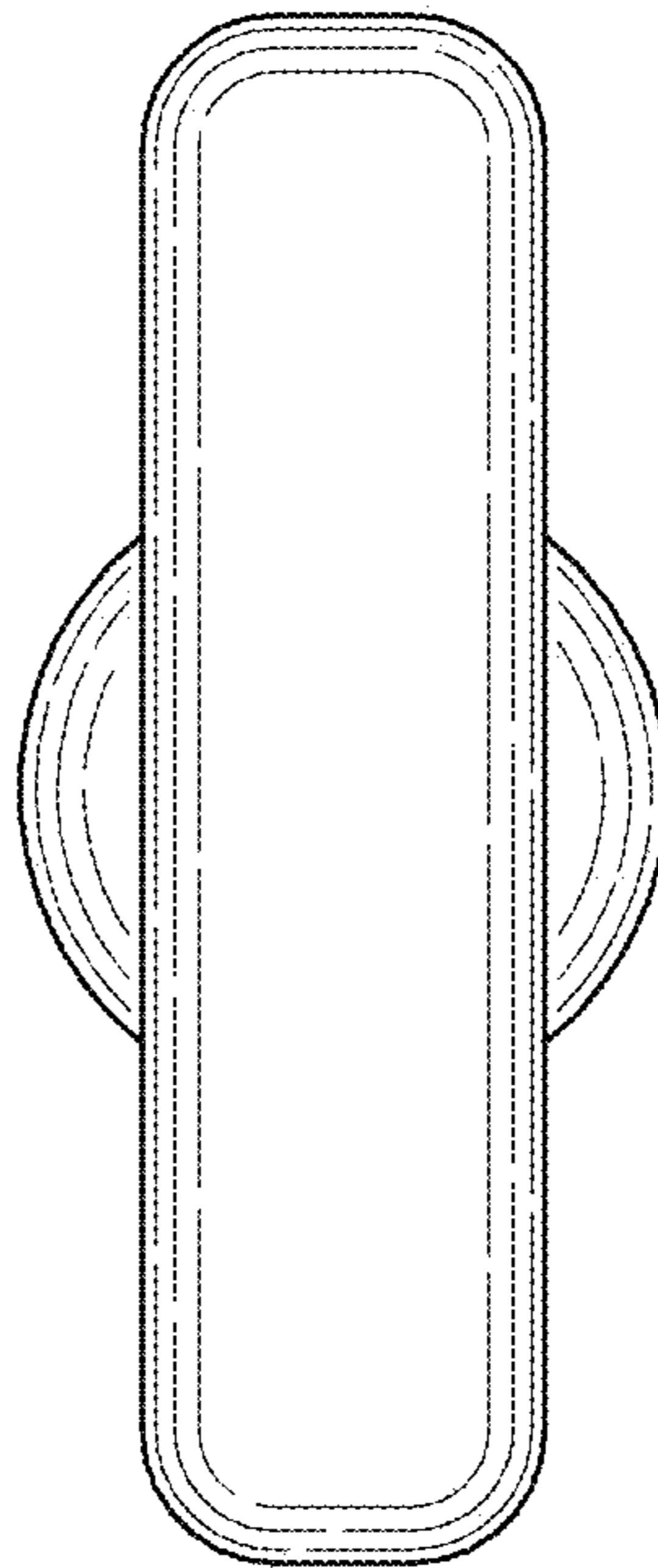


FIG. 4

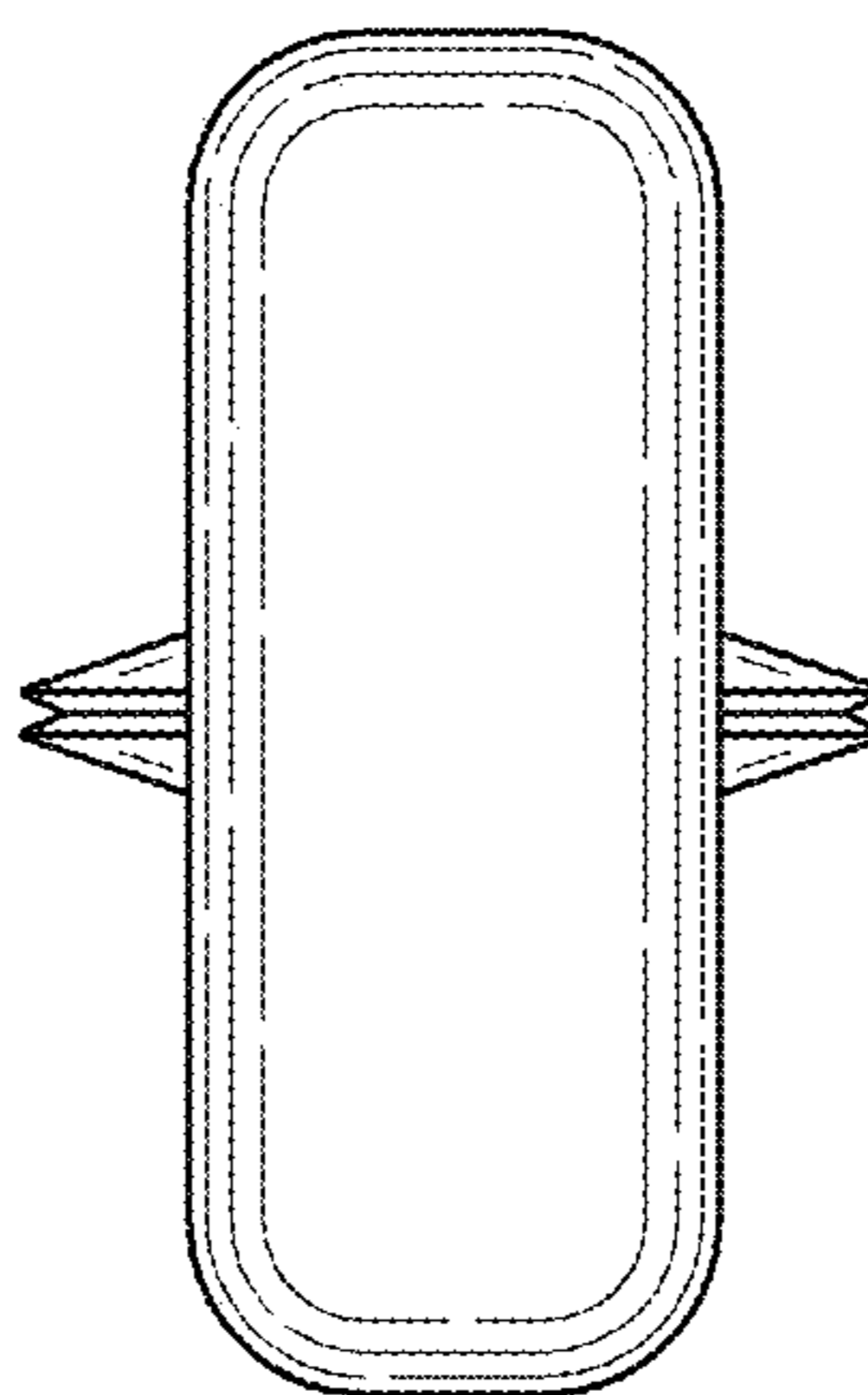


FIG. 5

