



US00D972043S

(12) **United States Design Patent**
Wu

(10) **Patent No.:** **US D972,043 S**
(45) **Date of Patent:** **** Dec. 6, 2022**

(54) **FIDGET TOY**

FOREIGN PATENT DOCUMENTS

(71) Applicant: **Shaolin Wu**, Jieyang (CN)

GB 6137141 * 5/2021
GB 6213890 * 6/2022

(72) Inventor: **Shaolin Wu**, Jieyang (CN)

(**) Term: **15 Years**

OTHER PUBLICATIONS

(21) Appl. No.: **29/864,723**

Amazon Website, ONO Roller Jr, Earliest comment date: Mar. 1, 2018, [Website Visited on Sep. 15, 2022], Available on the internet URL <https://www.amazon.com/ONO-Roller-Jr-Teal-Promoting/dp/B097SGGC6N/> (Year: 2018).*

(22) Filed: **Jun. 14, 2022**

Amazon Website, Hand Massage Tool, Earliest comment date: Nov. 25, 2021, [Website Visited on Sep. 23, 2022], Available on the internet URL <https://www.amazon.com/Massage-Massager-Wooden-Finger-Exercise/dp/B09MK4QF7K/> (Year: 2021).*

(51) **LOC (13) Cl.** **21-01**

(52) **U.S. Cl.**

USPC **D21/455**; D21/468

(58) **Field of Classification Search**

USPC D21/445, 468, 478, 404, 471, 475, 398,
D21/331, 399, 487; D19/123, 136, 137,
D19/177, 203, 204

CPC A63H 29/24; A63H 31/02; A63H 31/08

See application file for complete search history.

* cited by examiner

Primary Examiner — S. Bryan Reinholdt, Jr.

Assistant Examiner — James T Tyree

(56) **References Cited**

(57) **CLAIM**

U.S. PATENT DOCUMENTS

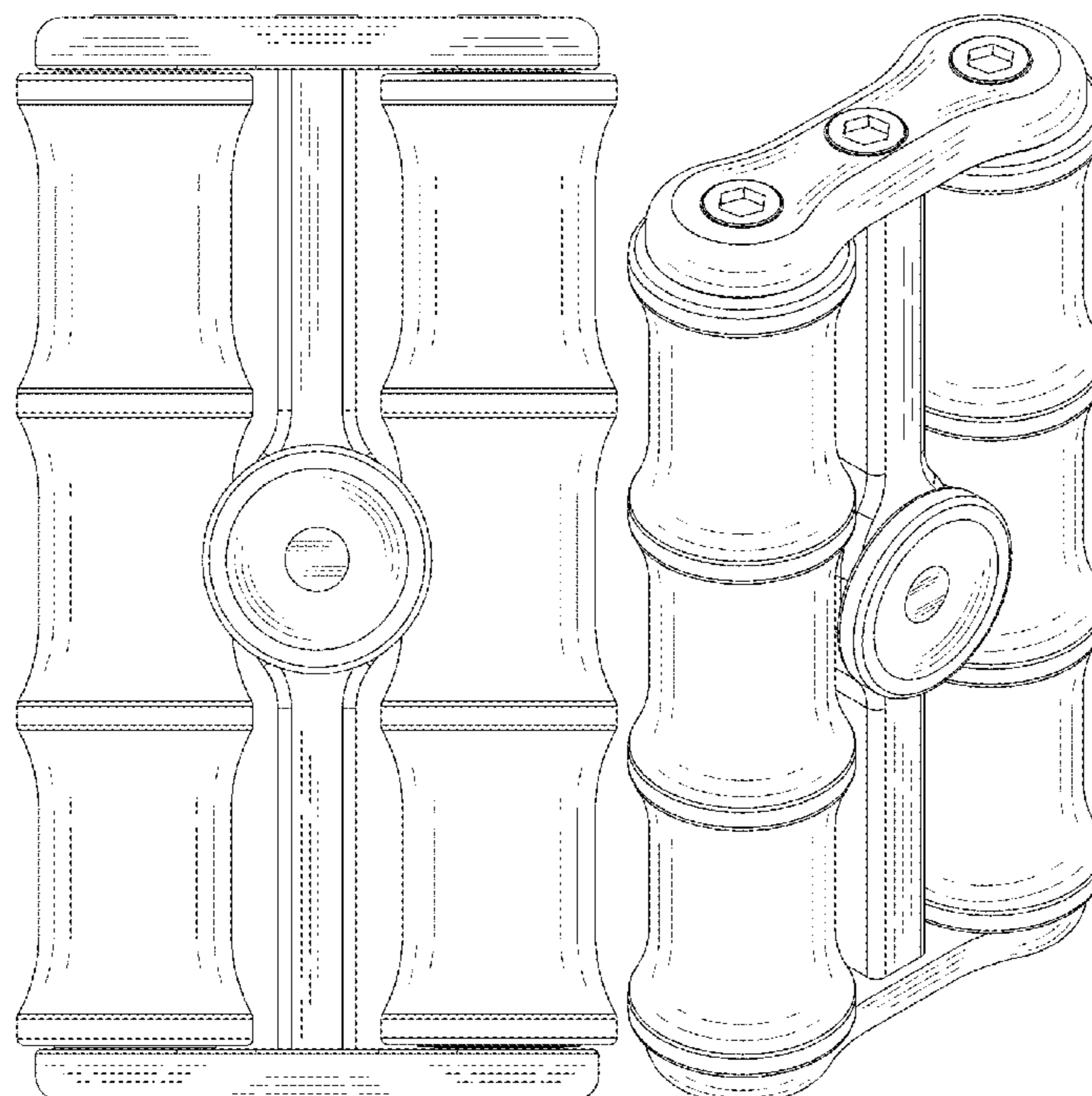
The ornamental design for a fidget toy, as shown and described.

- D280,996 S * 10/1985 Epstein D21/468
- D407,439 S * 3/1999 Kossnar D3/206
- D564,750 S * 3/2008 Rolion D3/206
- D747,413 S * 1/2016 Hoyt Drazen D19/203
- 9,914,063 B1 * 3/2018 McCoskery A63F 9/16
- D818,053 S 5/2018 Liu
- D819,143 S 5/2018 Lyon
- D839,360 S 1/2019 Philgreen
- D839,361 S * 1/2019 Lederer D21/455
- D865,071 S 10/2019 Moelmann
- D881,998 S 4/2020 Lam
- 2008/0069626 A1 * 3/2008 Cribbs B43K 23/001
401/195
- 2008/0099353 A1 * 5/2008 Parsons B65D 5/68
220/500

DESCRIPTION

FIG. 1 is a front elevation view of a fidget toy showing the new design;
FIG. 2 is a back elevation view thereof;
FIG. 3 is a left-side view thereof;
FIG. 4 is a right-side view thereof;
FIG. 5 is a top plan view thereof;
FIG. 6 is a bottom plan view thereof;
FIG. 7 is a top-right perspective view thereof; and,
FIG. 8 is a bottom-left perspective view thereof.

1 Claim, 8 Drawing Sheets



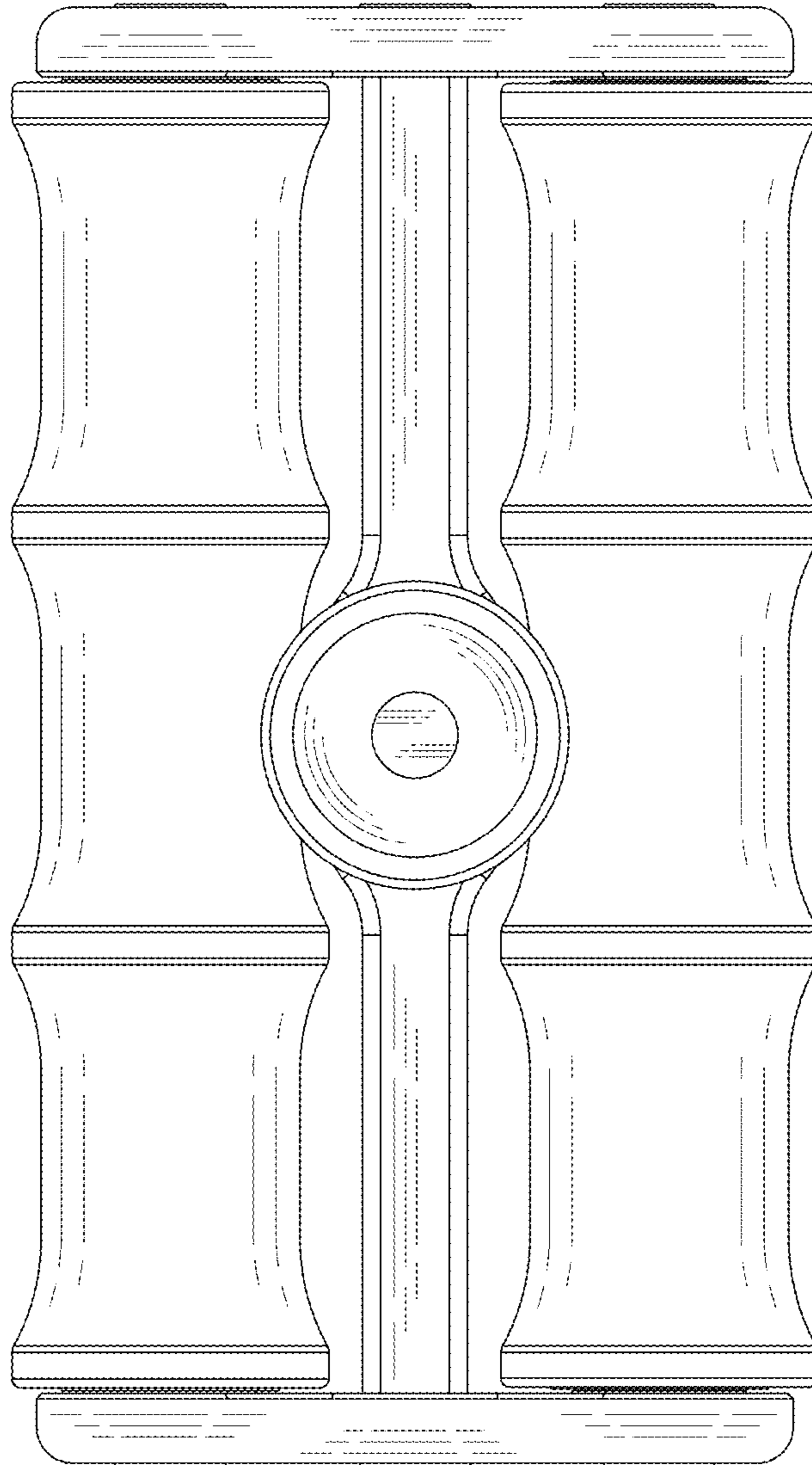


FIG. 1

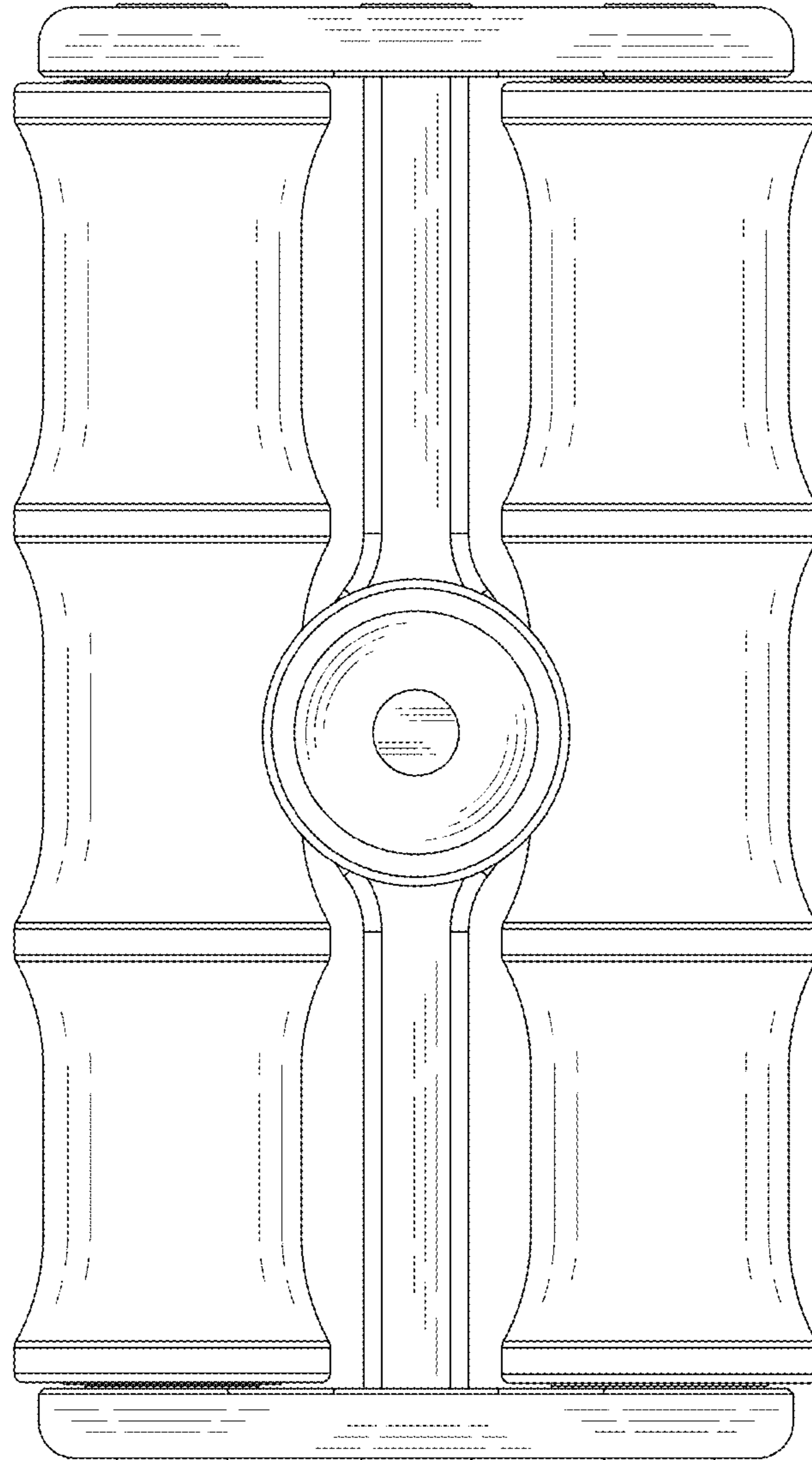


FIG. 2

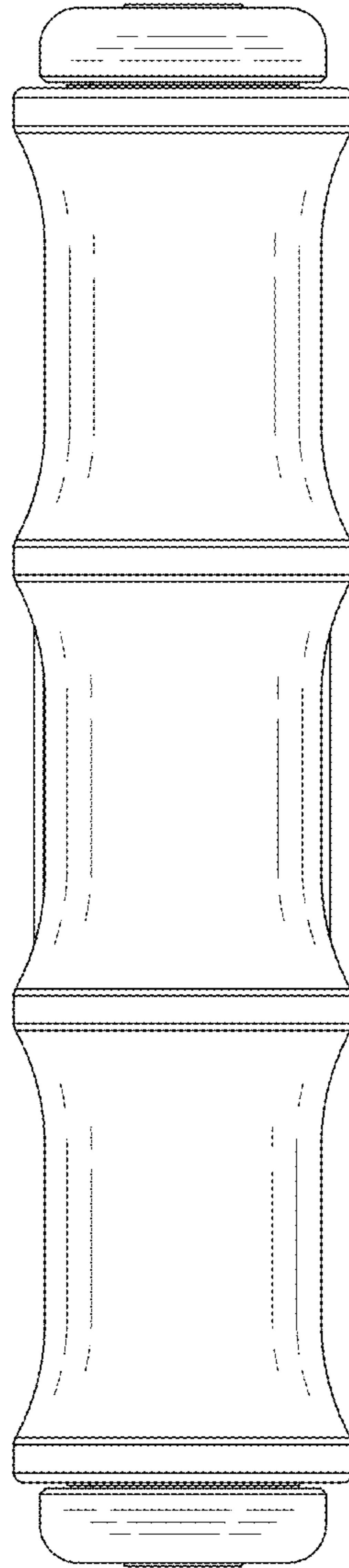


FIG. 3

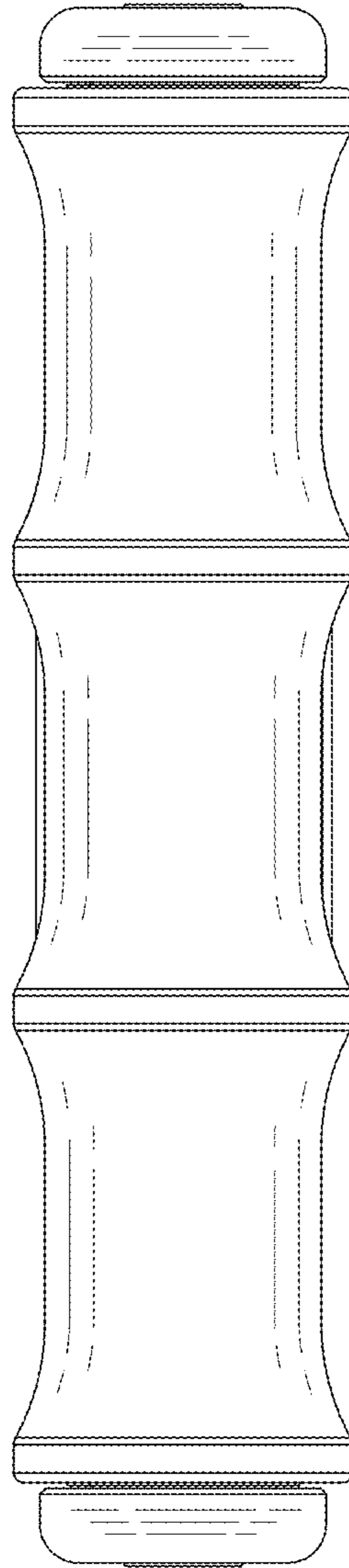


FIG. 4

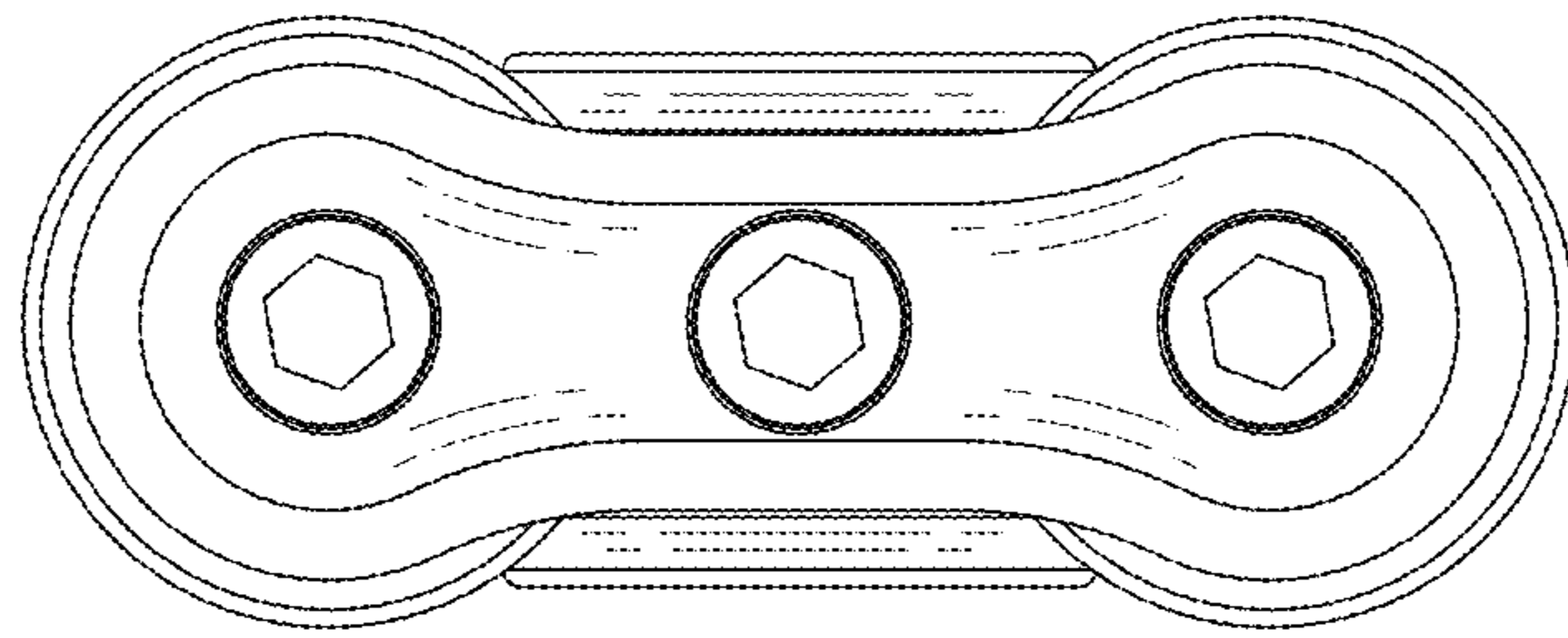


FIG. 5

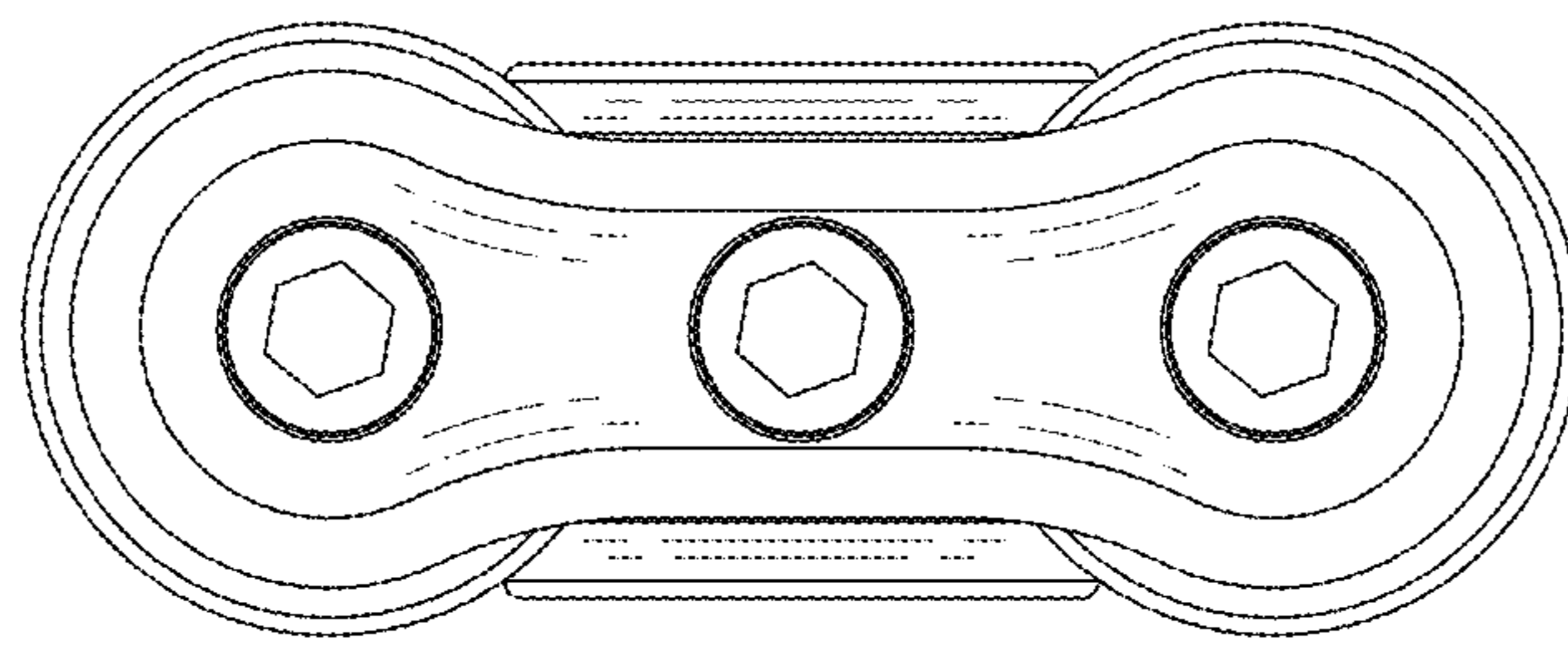


FIG. 6

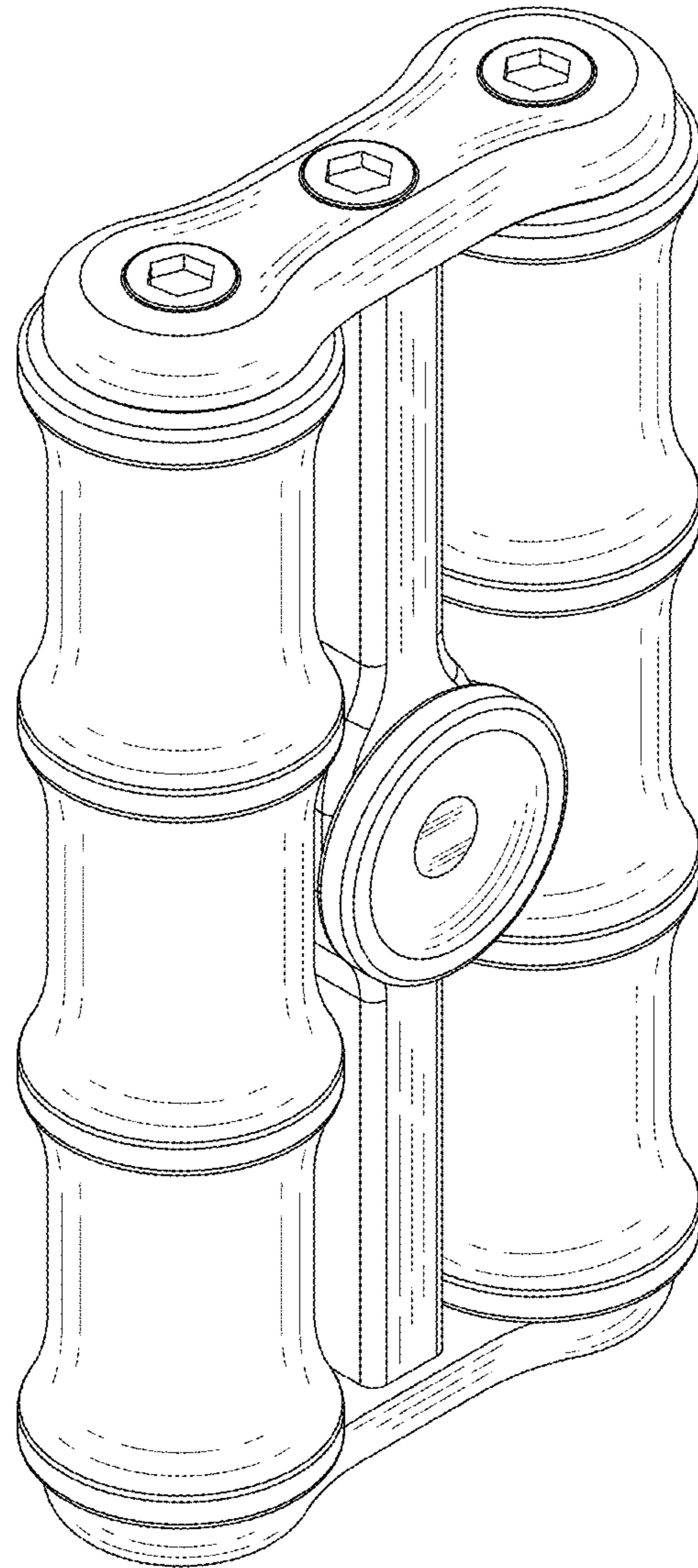


FIG. 7

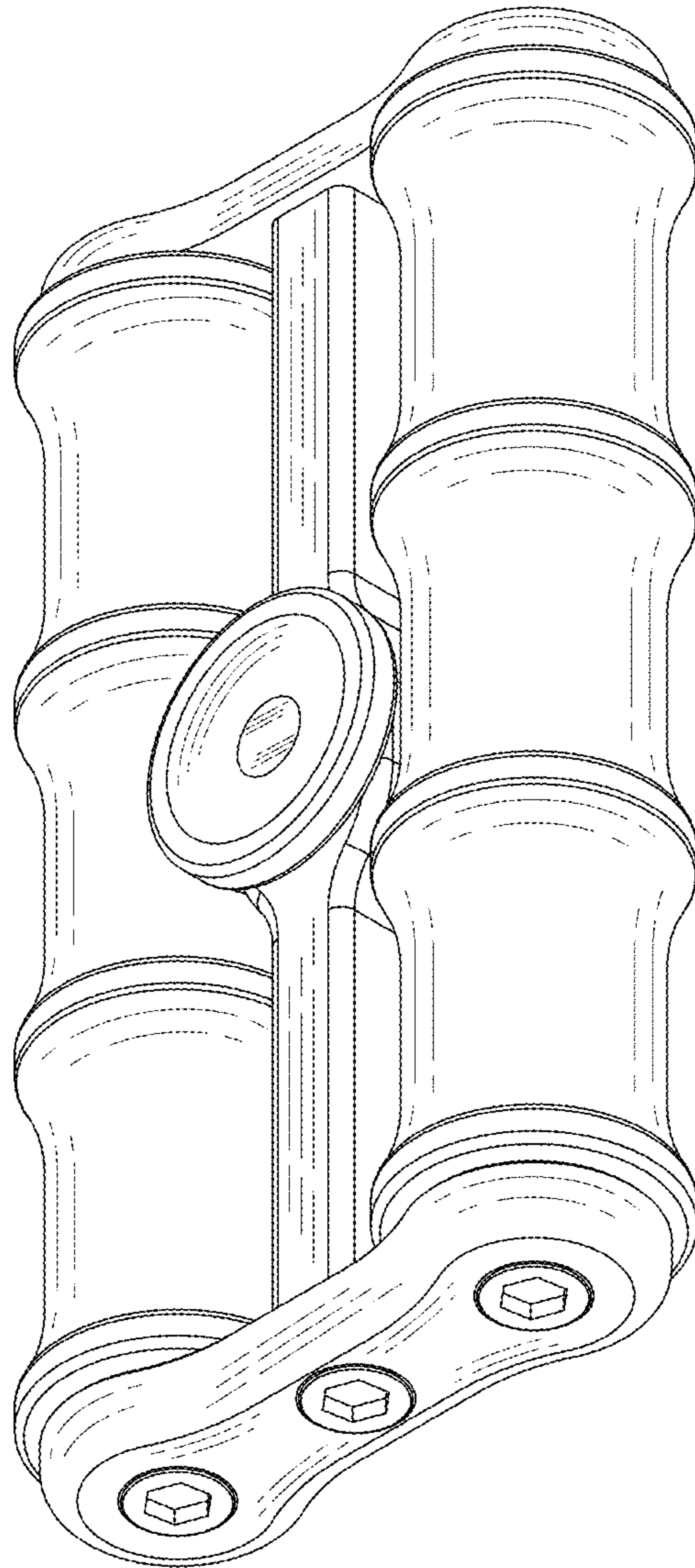


FIG. 8